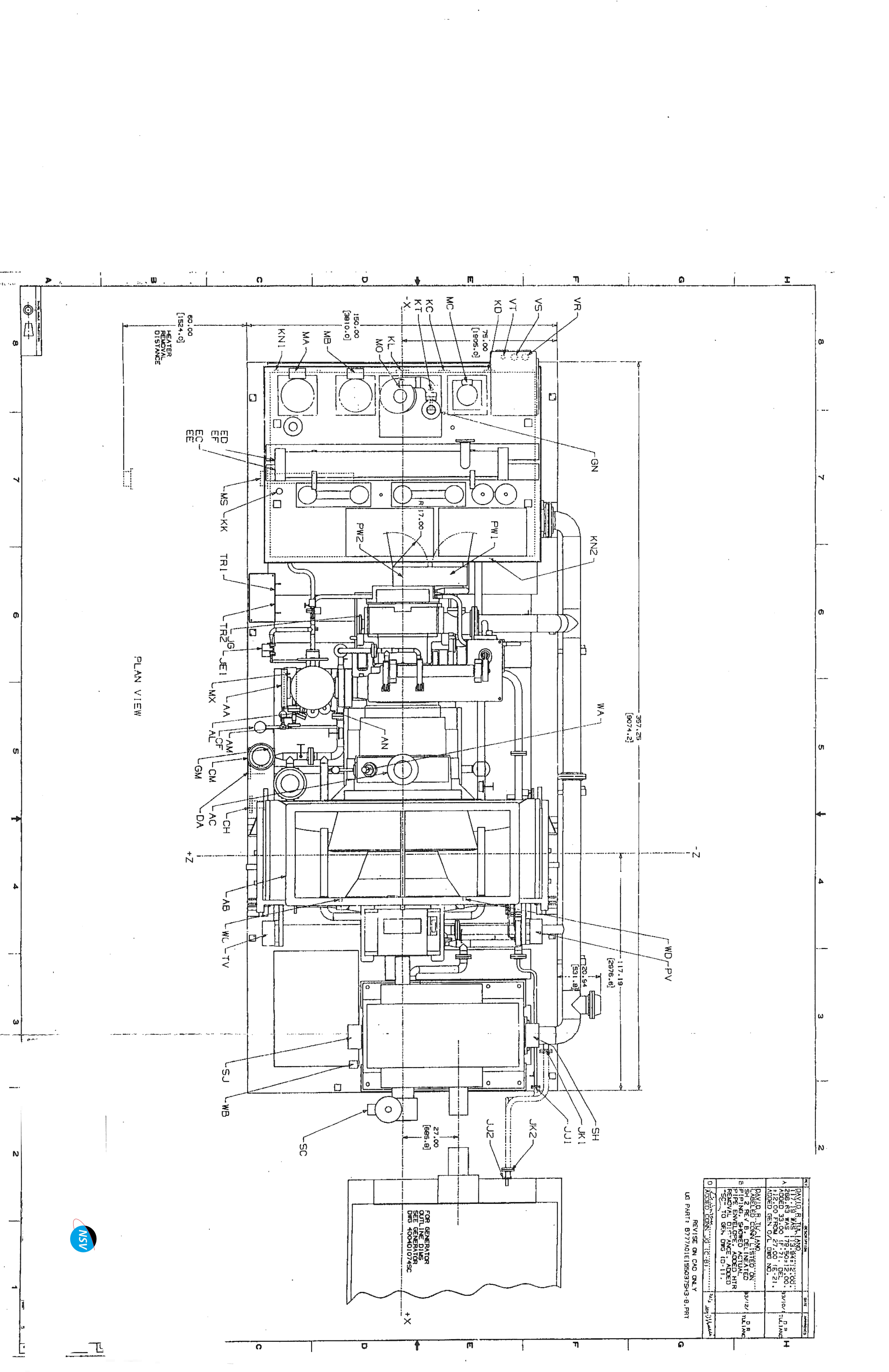


REV	DESCRIPTION	DATE	APPROVED
1	DAVID R. TILLY AND 39.700 WAS 26.8812200	09/10/12	D.R.
2	IF 31. DEL 46.00 FROM 12.10	09/10/12	D.R.
3	IF 21. ADDED 87.50	09/10/12	D.R.
4	DAVID R. TILLY AND 39.700 WAS 26.8812200	09/10/12	D.R.
5	REMOVED ALL DIMS EXCEPT 18.51	09/10/12	D.R.
6	ADDED 1.50 DIM	09/10/12	D.R.
7	ADDED 87.50	09/10/12	D.R.
8	ADDED 1.00	09/10/12	D.R.
9	ADDED 1.00	09/10/12	D.R.
10	ADDED 1.00	09/10/12	D.R.

REVISE ON CAC DWG Y
US PART: B77A01E158037SH3-B.PRT



PLAN VIEW

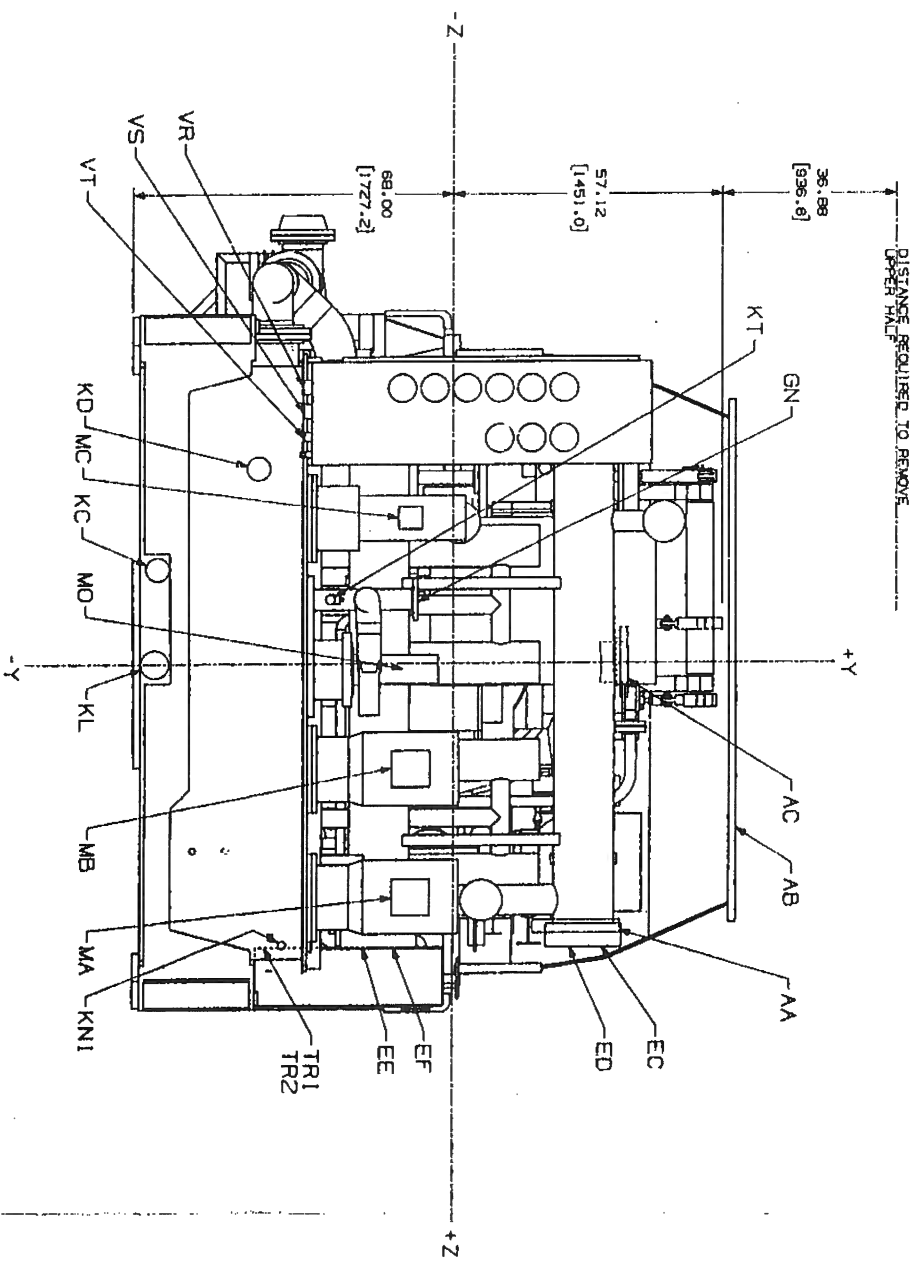
REV	Description	DATE	BY	CHKD
0	REVISED CONSTRUCTION	05/16/81		
1	DAVID R. JENNIFER	03/12/77		
2	REMOVED DIMENSIONS FROM ENVELOPE	03/12/77		
3	ADDED DIMENSIONS TO ENVELOPE	03/12/77		
4	ADDED DIMENSIONS TO ENVELOPE	03/12/77		
5	ADDED DIMENSIONS TO ENVELOPE	03/12/77		
6	ADDED DIMENSIONS TO ENVELOPE	03/12/77		
7	ADDED DIMENSIONS TO ENVELOPE	03/12/77		
8	ADDED DIMENSIONS TO ENVELOPE	03/12/77		
9	ADDED DIMENSIONS TO ENVELOPE	03/12/77		
10	ADDED DIMENSIONS TO ENVELOPE	03/12/77		
11	ADDED DIMENSIONS TO ENVELOPE	03/12/77		
12	ADDED DIMENSIONS TO ENVELOPE	03/12/77		
13	ADDED DIMENSIONS TO ENVELOPE	03/12/77		
14	ADDED DIMENSIONS TO ENVELOPE	03/12/77		
15	ADDED DIMENSIONS TO ENVELOPE	03/12/77		
16	ADDED DIMENSIONS TO ENVELOPE	03/12/77		
17	ADDED DIMENSIONS TO ENVELOPE	03/12/77		
18	ADDED DIMENSIONS TO ENVELOPE	03/12/77		
19	ADDED DIMENSIONS TO ENVELOPE	03/12/77		
20	ADDED DIMENSIONS TO ENVELOPE	03/12/77		

REVISE ON CAD ONLY
 UG PART: 8777A01E155075M3-8.PRT

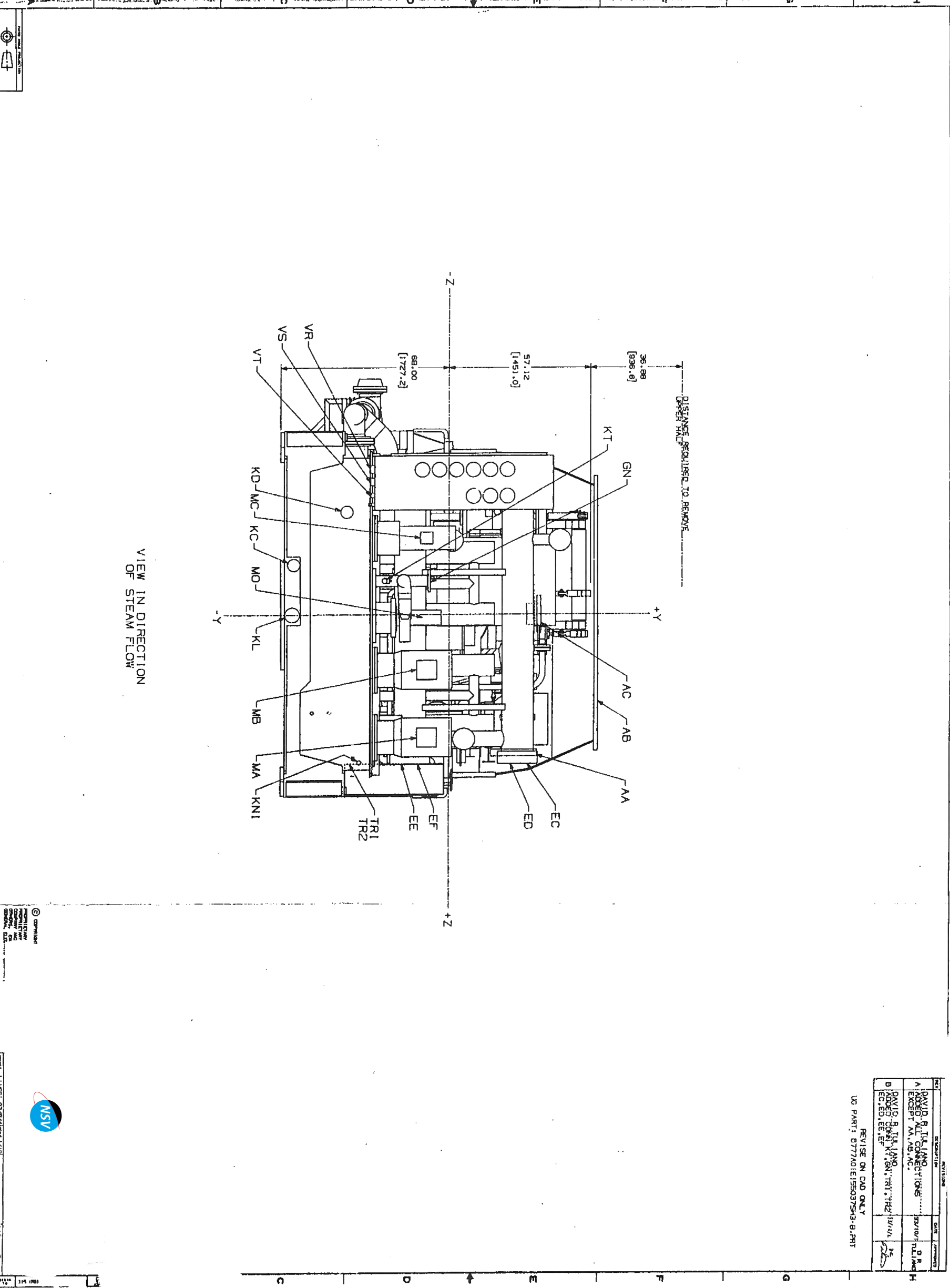


REV	DESCRIPTION	DATE	BY	CHKD
A	DAVID R. TULLIANO ADDED ALL CONNECTIONS	3/27/04	D.R.	J.L.
B	DAVID R. TULLIANO EC, ED, EE, EF	3/27/04	D.R.	J.L.

UG PART: 877A01E155037513-B-PRT
REVISE ON CAD ONLY



VIEW IN DIRECTION OF STEAM FLOW

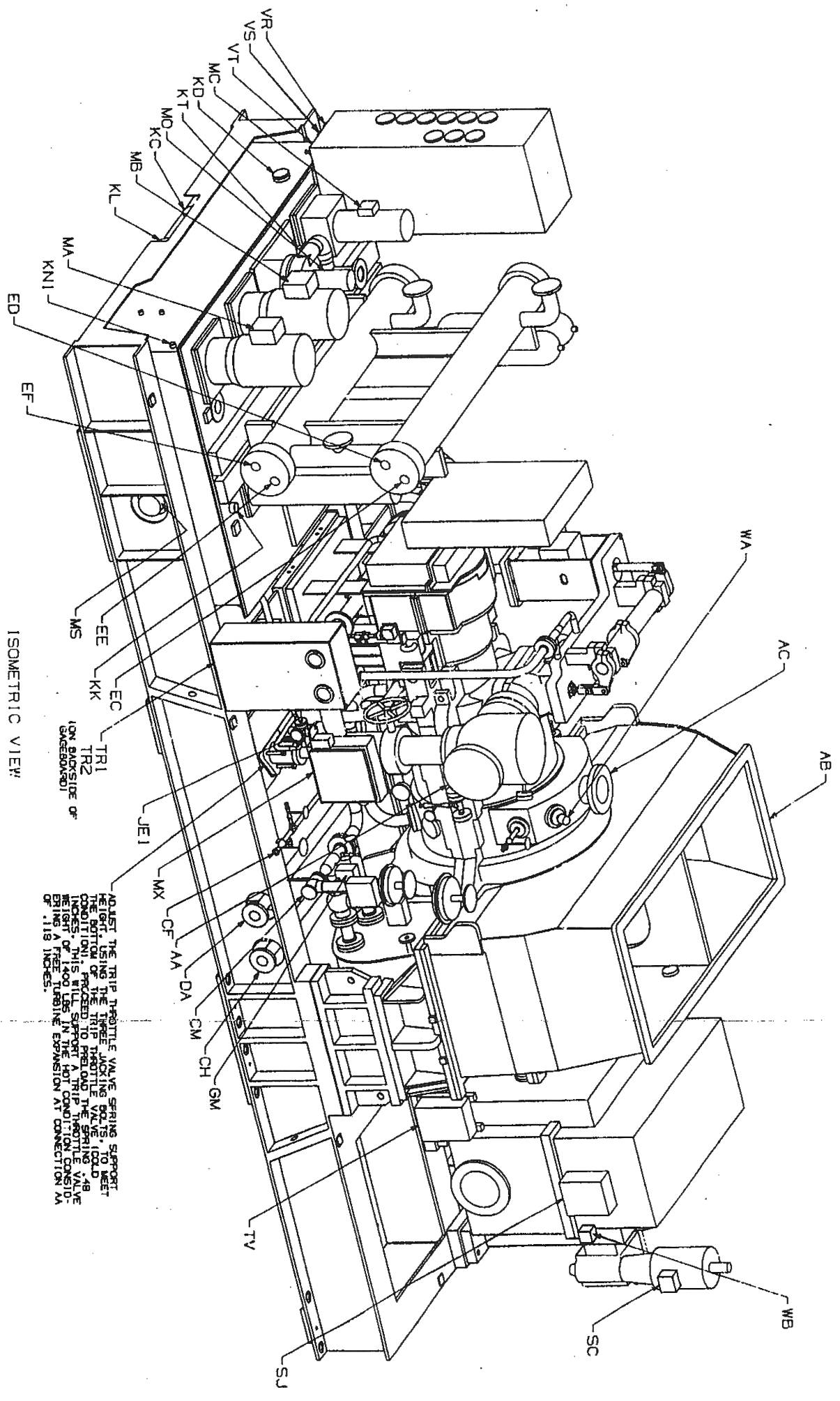


© COPYRIGHT
GENERAL ELECTRIC
CORPORATION
2004



DATE: 3/27/04 11:12 AM

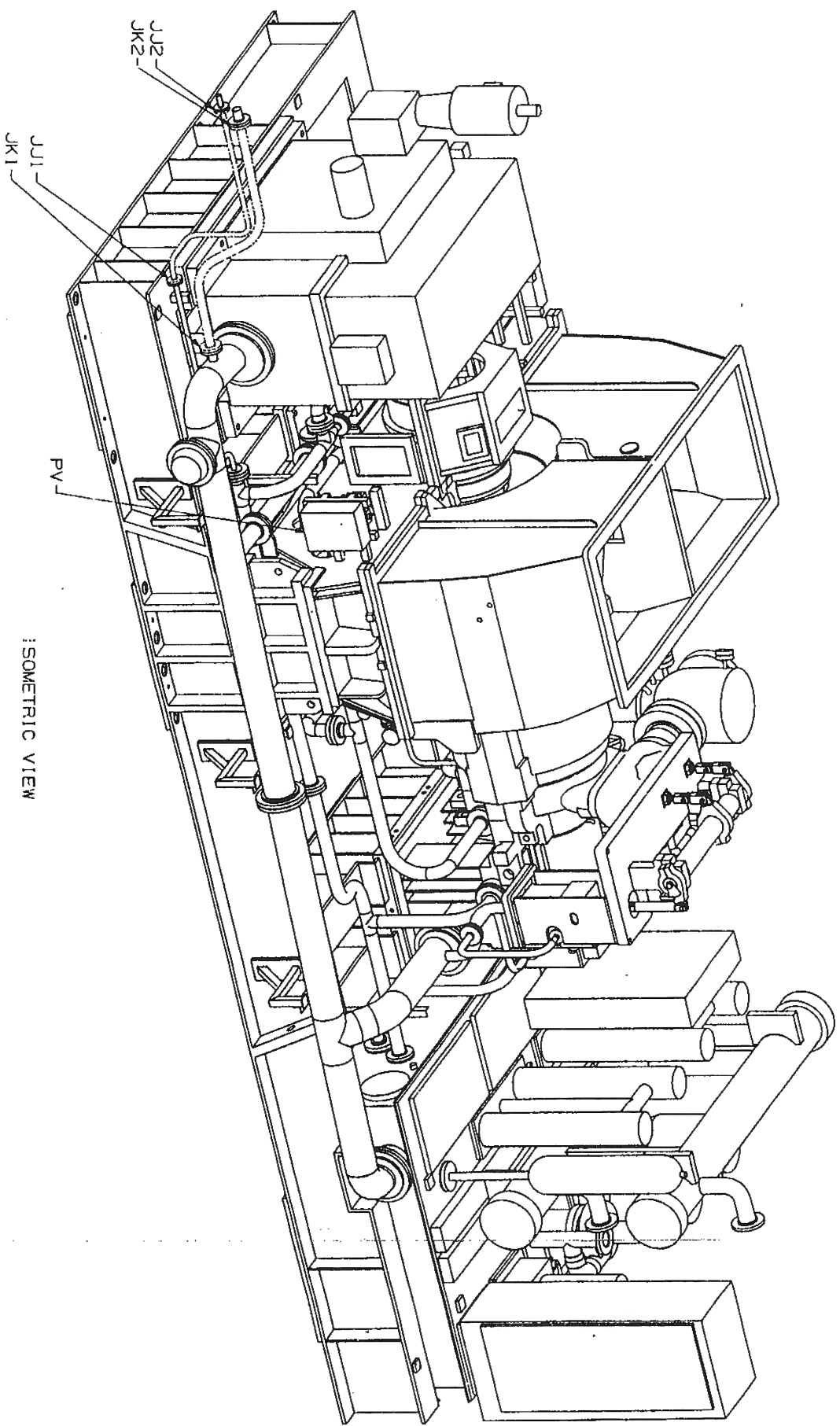
REV	DESCRIPTION	DATE	BY	CHK'D
A	DAVID R. ILLIAND CONNECTIONS	8/1/57	P.R.	P.R.
B	DAVID R. ILLIAND CONNECTIONS	8/1/57	P.R.	P.R.
C	DAVID R. ILLIAND CONNECTIONS	8/1/57	P.R.	P.R.
D	DAVID R. ILLIAND CONNECTIONS	8/1/57	P.R.	P.R.



ISOMETRIC VIEW

ADJUST THE TRIP THROTTLE VALVE SPRING SUPPORT TO BEAT THE TRIP THROTTLE VALVE TO BEAT THE BOTTOM OF THE TRIP THROTTLE VALVE. (COULD BE 1/8 INCHES). THIS WILL SUPPORT A TRIP THROTTLE VALVE HEIGHT OF 1.400 INCHES IN THE HOT CONNECTION DA HEIGHT OF 1.18 INCHES.





ISOMETRIC VIEW

REV	DATE	BY	CHKD	DESCRIPTION
A		DAVID R. JUNG		ISSUED FOR REFERENCE TO REFLECT ACTUAL EQUIP.
B		DAVID R. JUNG		REVISED DRAWING

REVISE ON C/D ONLY
 US PART: 8777A01E550375-8-PRT



1981 081
 1/2" = 1'-0"
 1/8" = 1'-0"