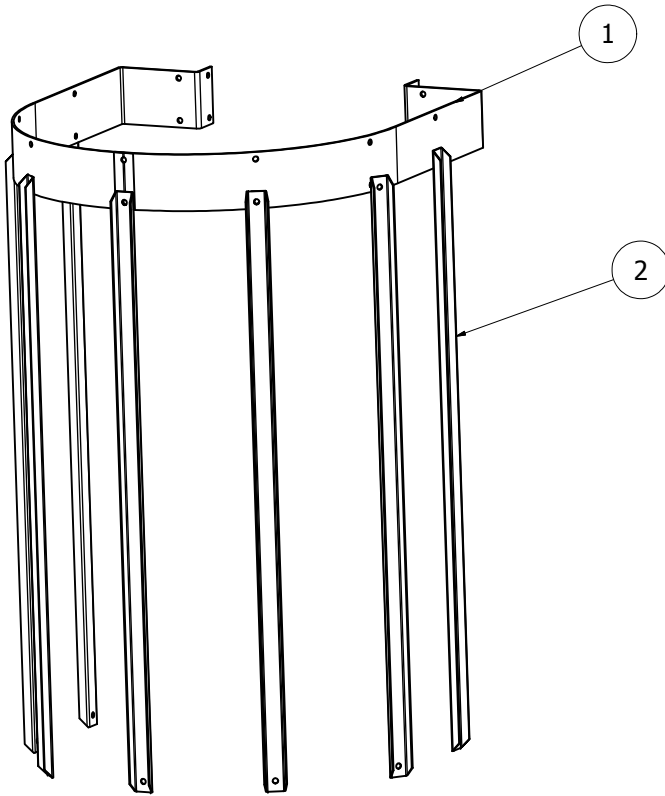


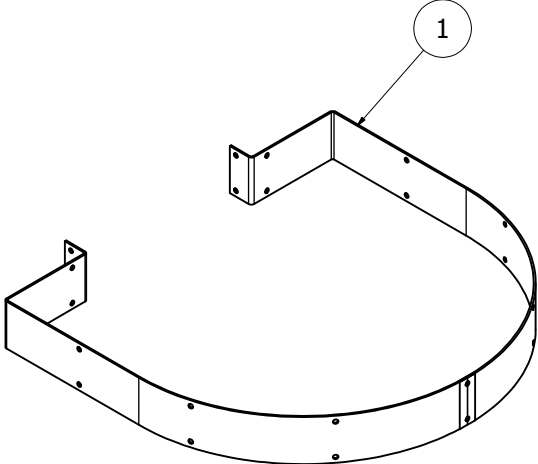
SP-C002 Safety cage main section



Parts List			
ITEM	QTY	PART NUMBER	DESCRIPTION
1	2	SPC-001	
2	7	SPC-011 main upright	43 3/4 x 1 1/4 channel
3	18	5/16 x 3/4 cap screw	
4	18	5/16 whiz nut	

DRAWN Rex A Greene		DATE 4/2/2007		Greene Welding and Hardware Inc.	
				Greene Galvanized Stairs	
				TITLE 217/375/4244	
				www.greenebinstairs.com	
MFG					
APPROVED					
		SIZE C	DWG NO 64451 45' Loop tower assy	REV	
				SHEET 10 OF 12	

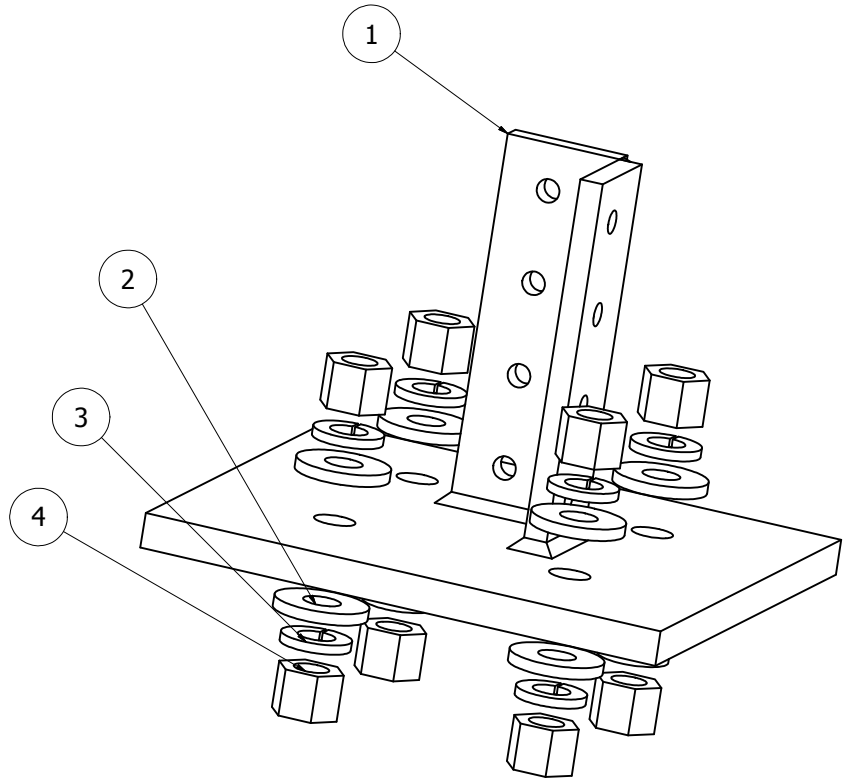
SP-C001 Safety cage flare



Parts List			
ITEM	QTY	PART NUMBER	DESCRIPTION
1	2	SPC-003 flare hoop	
2	9	5/16 x 3/4 cap screw	
3	9	5/16 whiz nut	

DRAWN Rex A Greene		DATE 4/2/2007		Greene Welding and Hardware Inc.	
				Greene Galvanized Stairs	
				TITLE 217/375/4244	
				www.greenebinstairs.com	
MFG					
APPROVED					
		SIZE C	DWG NO 64451 45' Loop tower assy	REV	
				SHEET 11 OF 12	

Anchoring mount



Parts List			
ITEM	QTY	PART NUMBER	DESCRIPTION
1	1	64-AB001 Anchor base	
2	8	3-4 Heavy washer	
3	8	3-4 lock washer	
4	8	3-4 nut	

DRAWN Rex A Greene 4/2/2007		Greene Welding and Hardware Inc.	
		Greene Galvanized Stairs	
		TITLE 217/375/4244 www.greenebinstairs.com	
MFG			
APPROVED			
		SIZE C	DWG NO 64451 45' Loop tower assy
		REV	
		SHEET 12 OF 12	