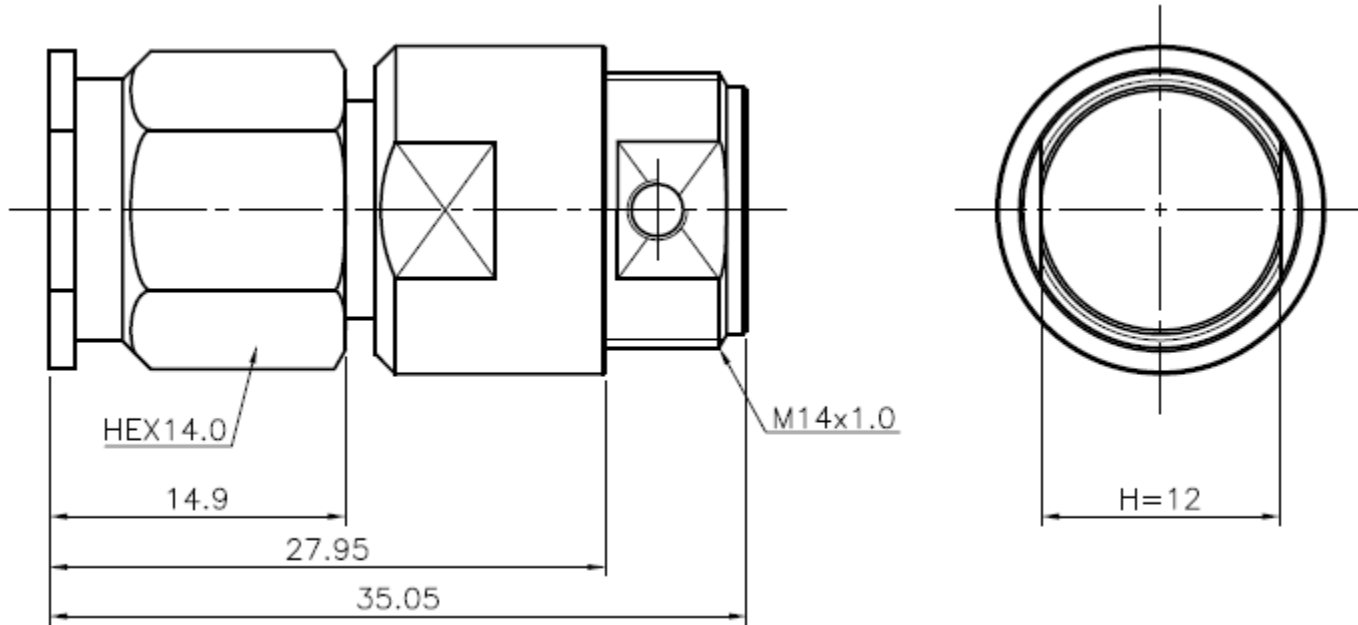


**SPECIFICATIONS:**

Impedance: 50 Ohm  
 Frequency: DC-12.4 GHz  
 VSWR: 1.20:1 Max @ 12.4 GHz  
 Power: 2 Watt  
 Operating temp. : -45°C - +125°C  
**RoHS Compliant**

Part	Material	Plating
Connector	Brass	Nickel
Conductor	Brass	Gold



Dimensions are in mm,  
 for reference only, and are  
 subject to change  
 without notice.



**Premier RF**  
 17 Roslyn CT  
 Patchogue, NY 11772  
 PH: 631-447-3804  
 sales@premier rf.com  
 www.premier rf.com

09/19/2012
APPROVED
A. Ianacci

<b>PART NUMBER</b>	<b>PRF-TE4M212-BN</b>
<b>DESCRIPTION</b>	<b>TNC MALE TERMINATION          2 WATT, DC-12.4 GHz</b>