

Exhibit S1 Sidewalk Section

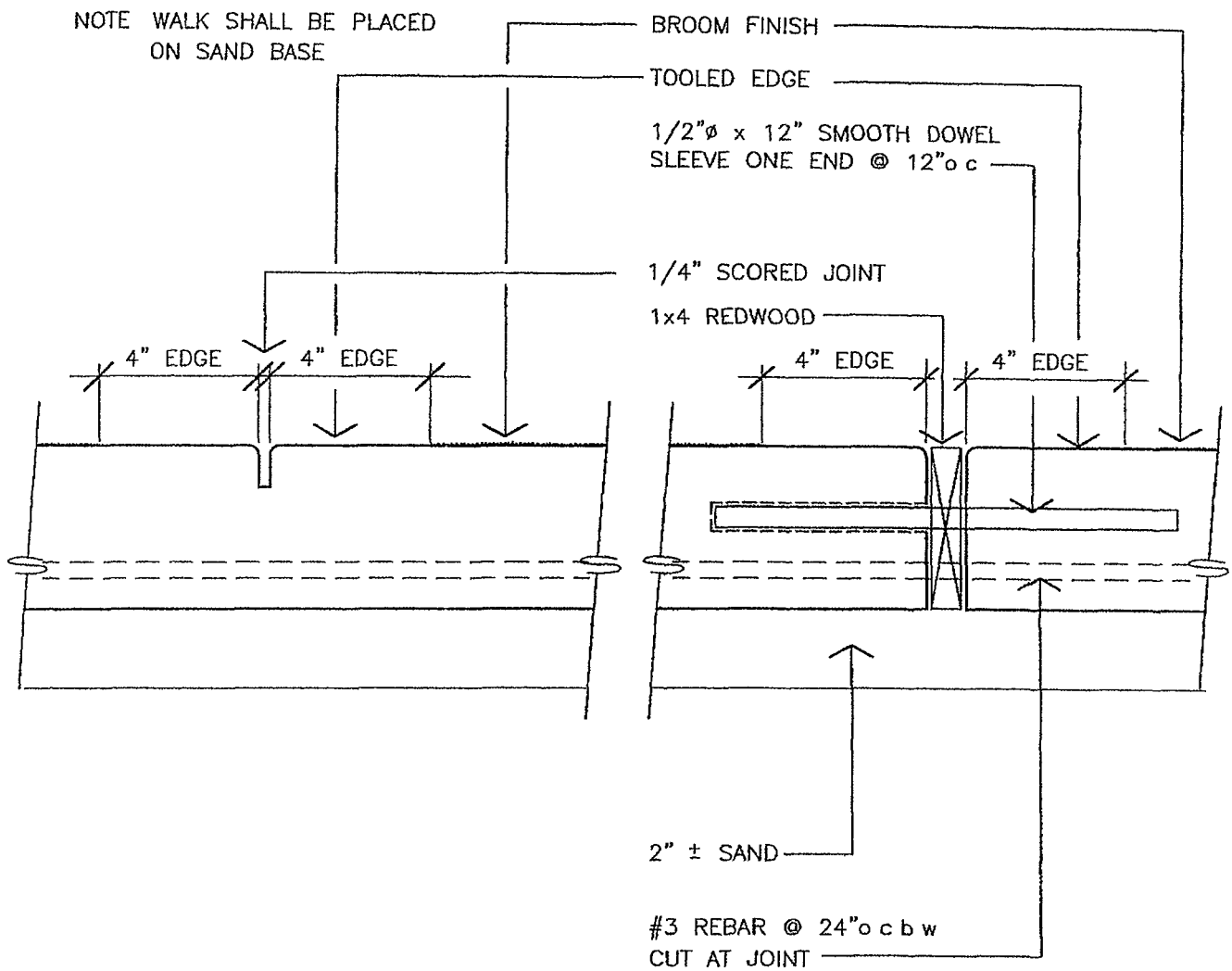


Exhibit F1

Upgraded Wood Fence Section

NOTE
 ALL POSTS & RAILS TO BE
 PRESSURE TREATED PINE
 (MINIMUM 40 PCF) CAP,
 PICKETS & TRIM ARE #2 CEDAR
 AND BETTER, NO KNOTS ALL
 CAP AND TRIM JOINTS TO BE
 MITER CUT

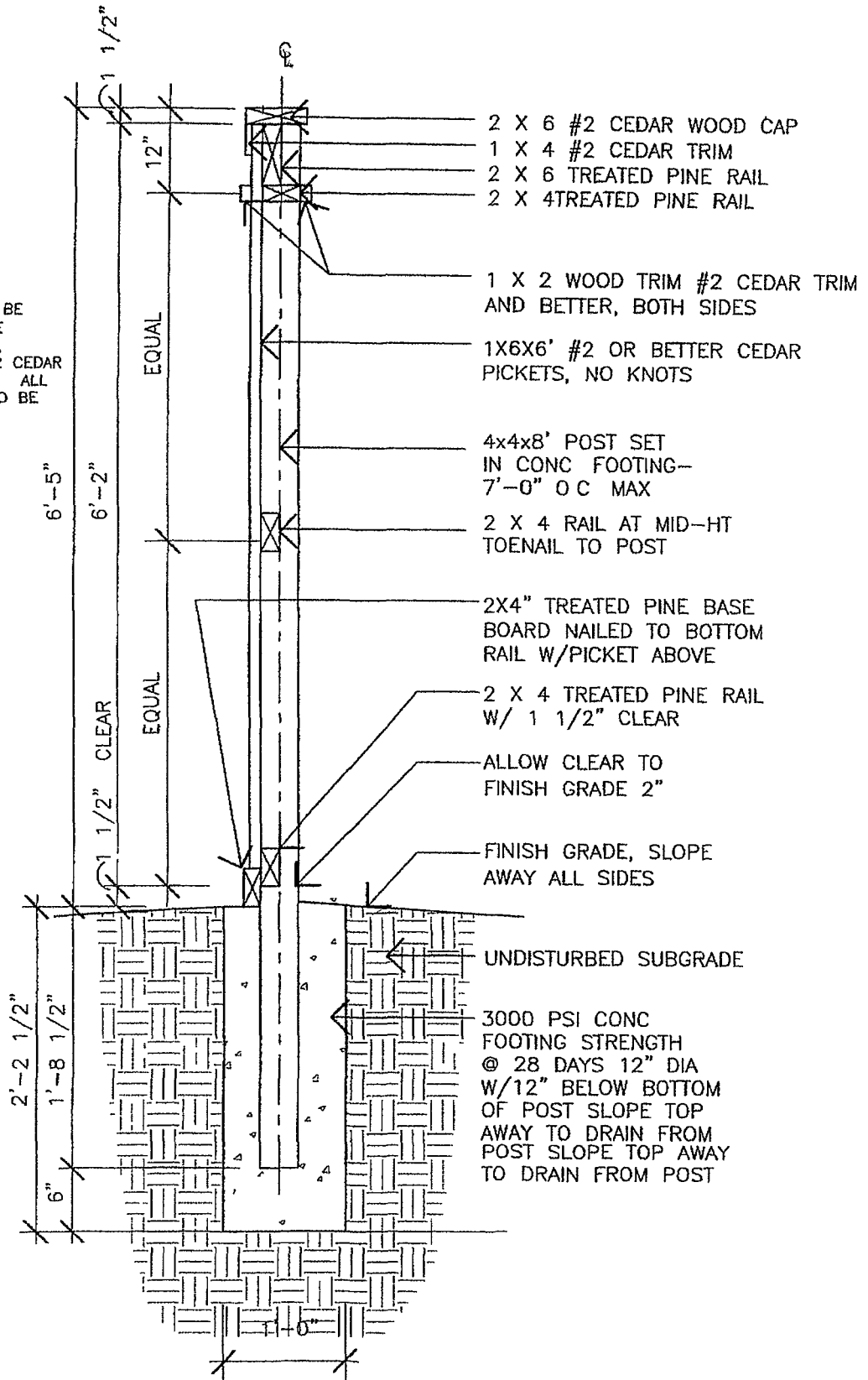


Exhibit F2
Upgraded Wood Fence/ Elevation

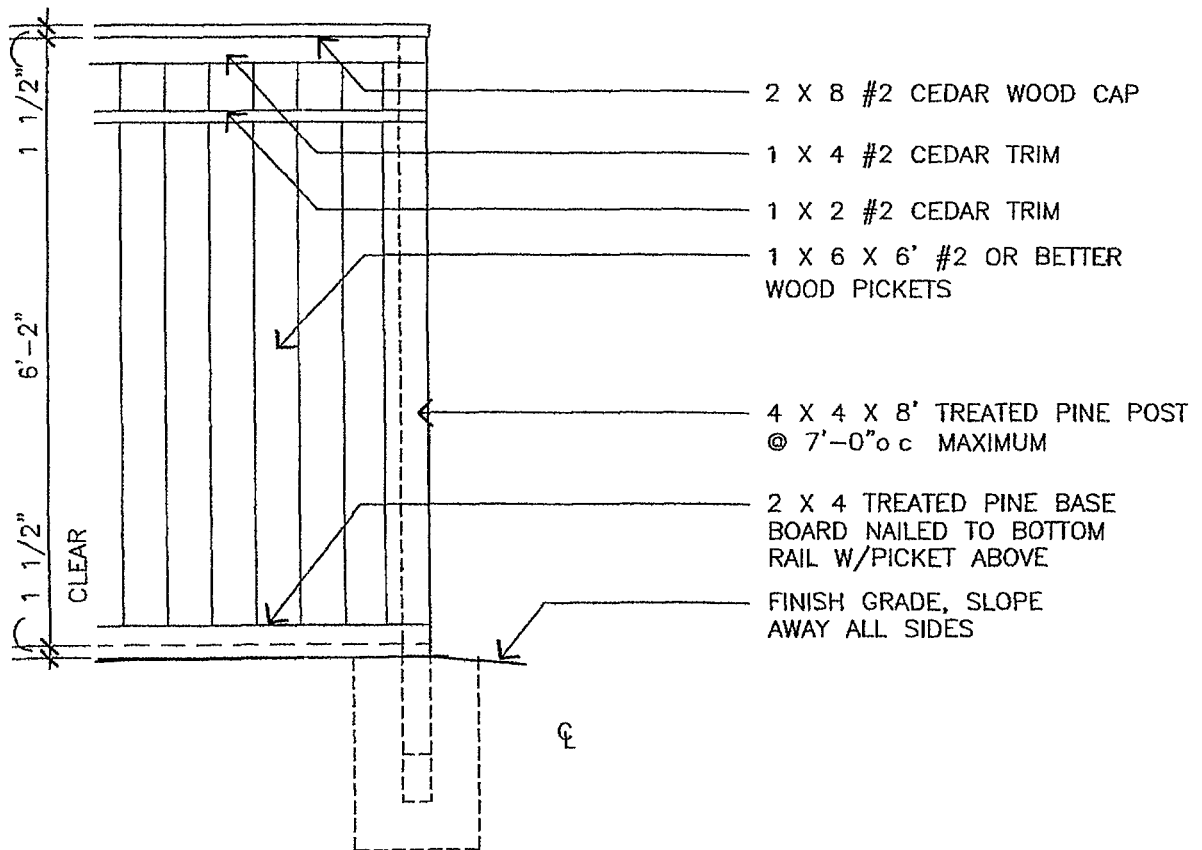


Exhibit F3
Upgraded Wood Fence/ Plan View @ Column

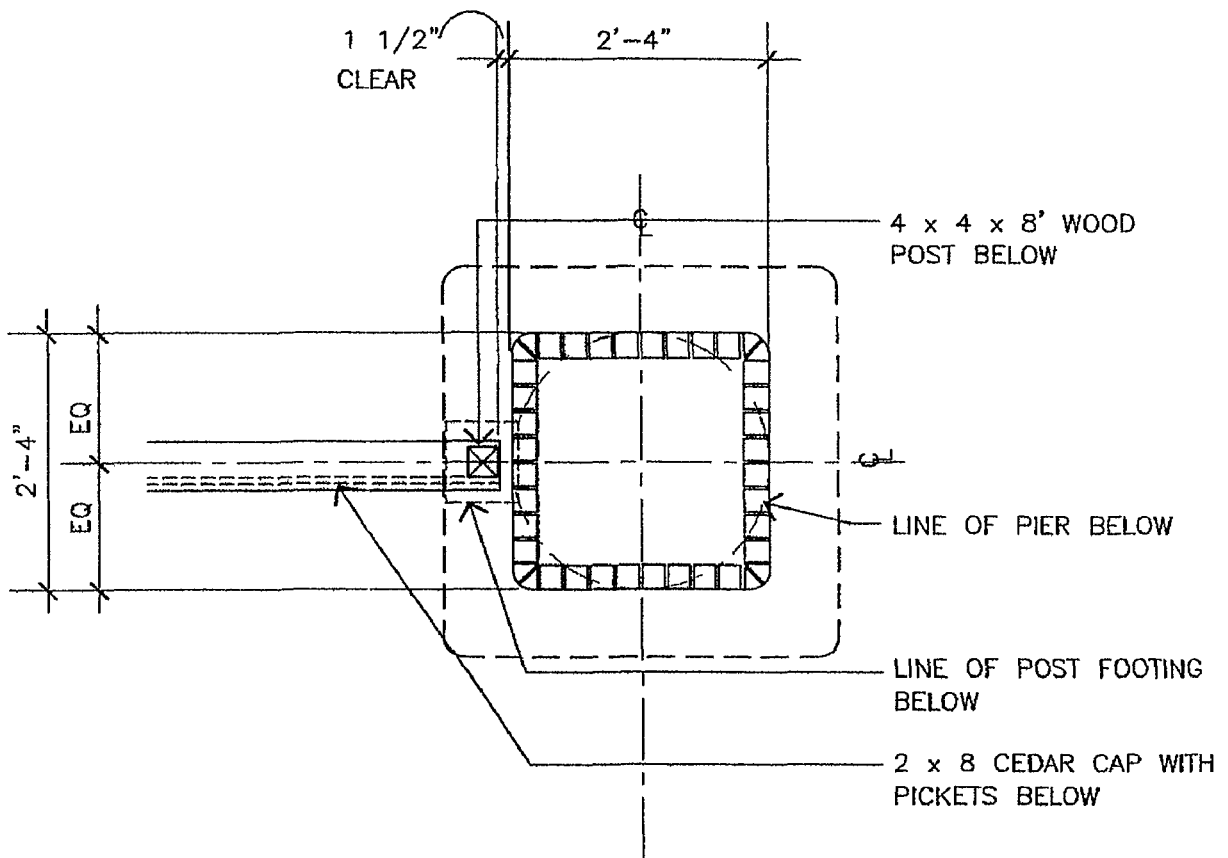


Exhibit F4
Wood Fence/ Elevation

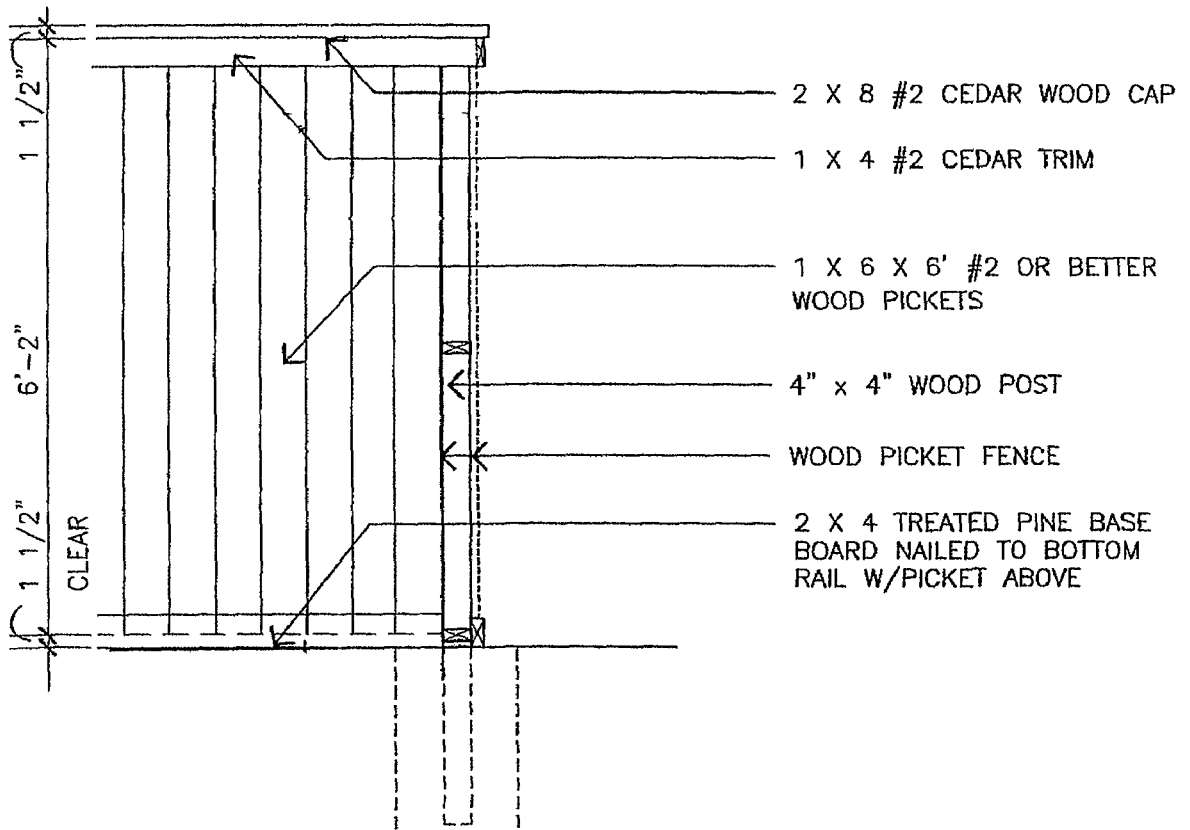


Exhibit F5
Wood Fence @ Iron Fence/ Plan View

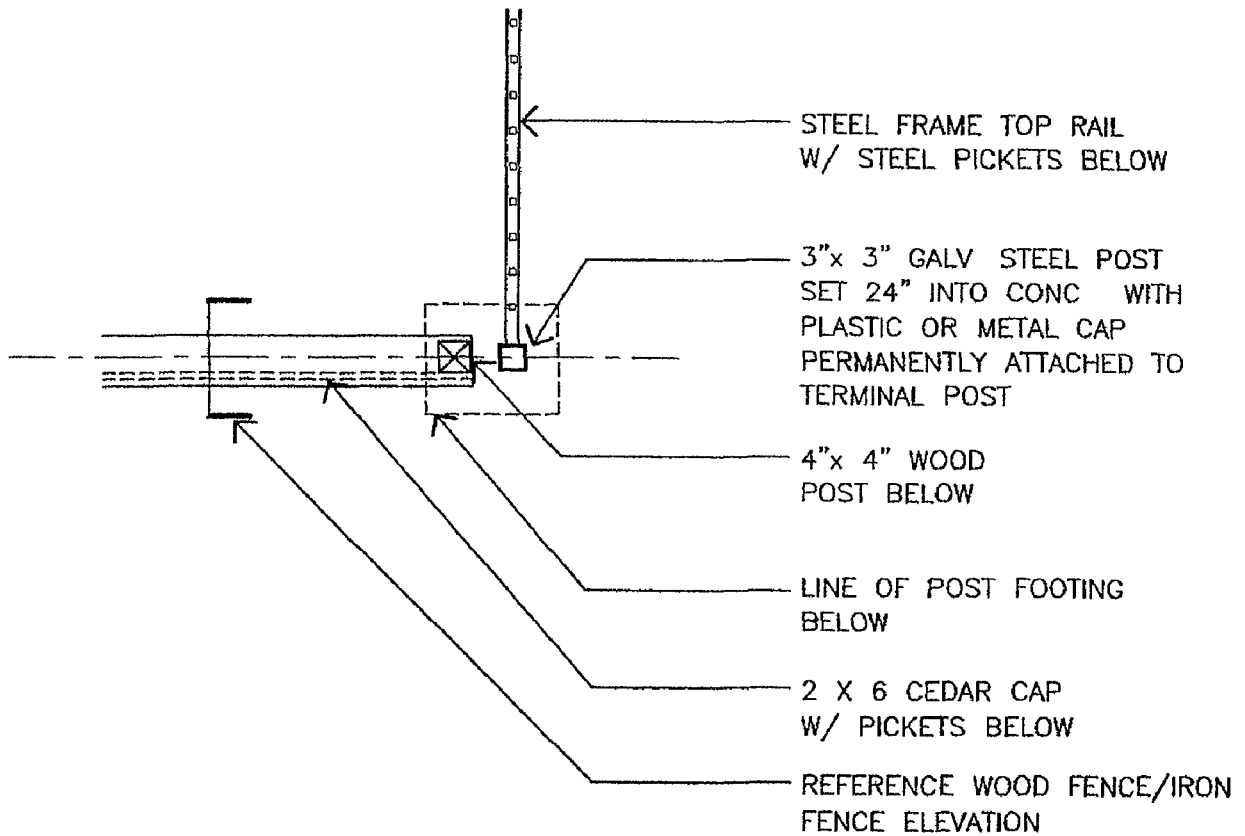


Exhibit F6
Iron fence @ Column

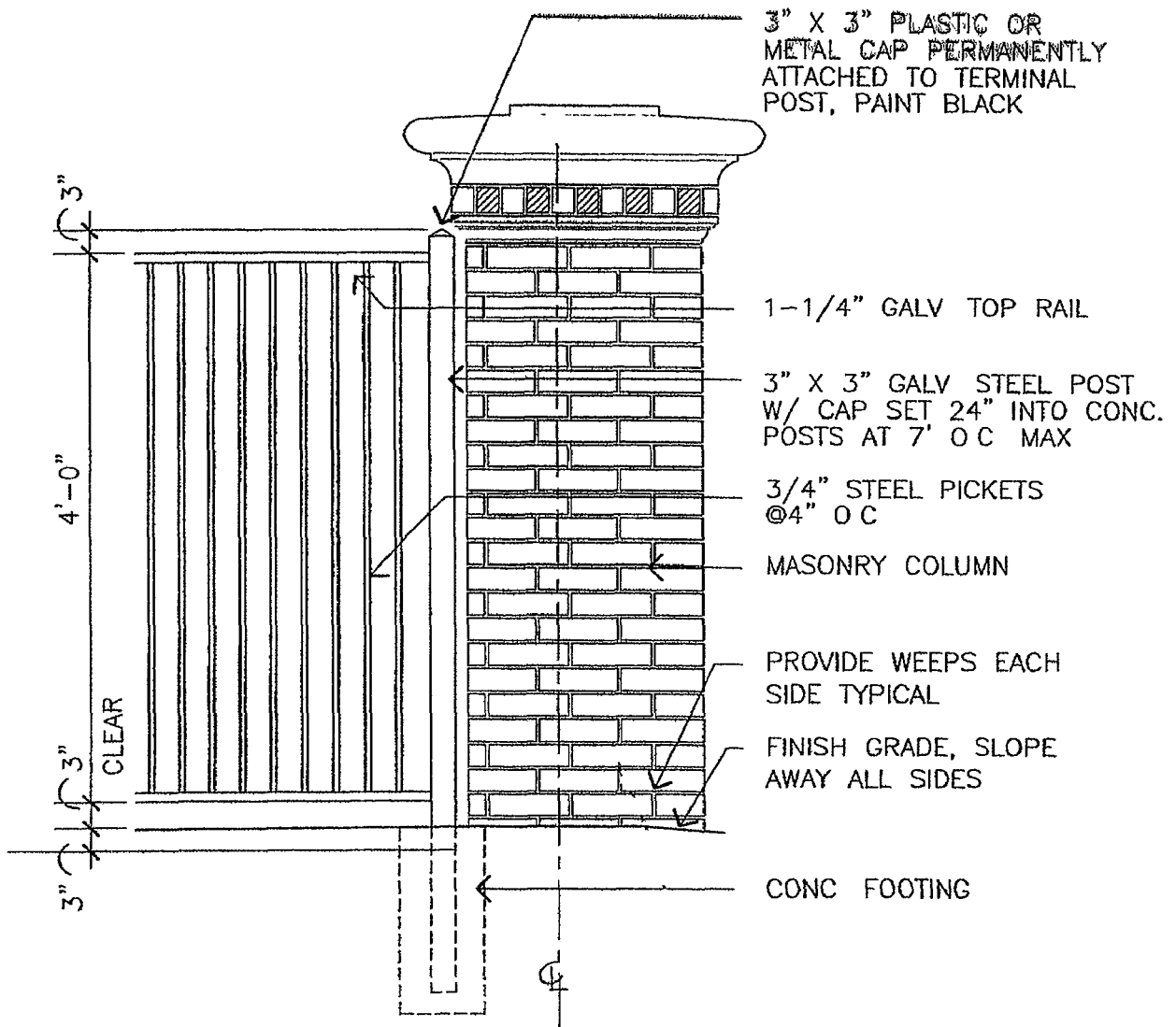
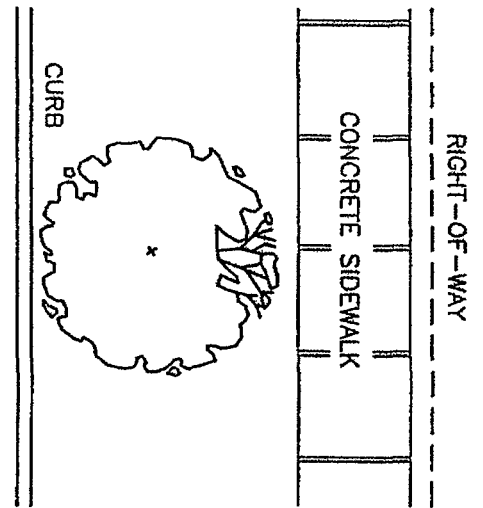
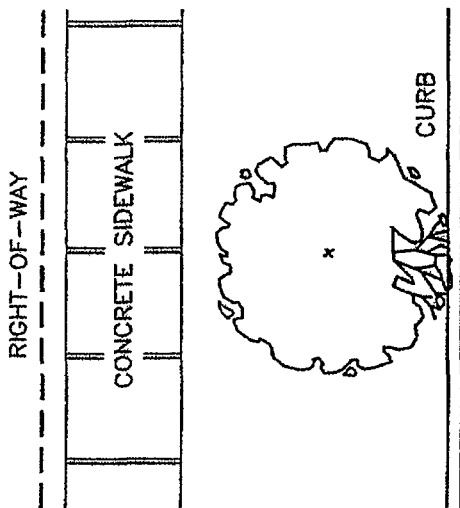
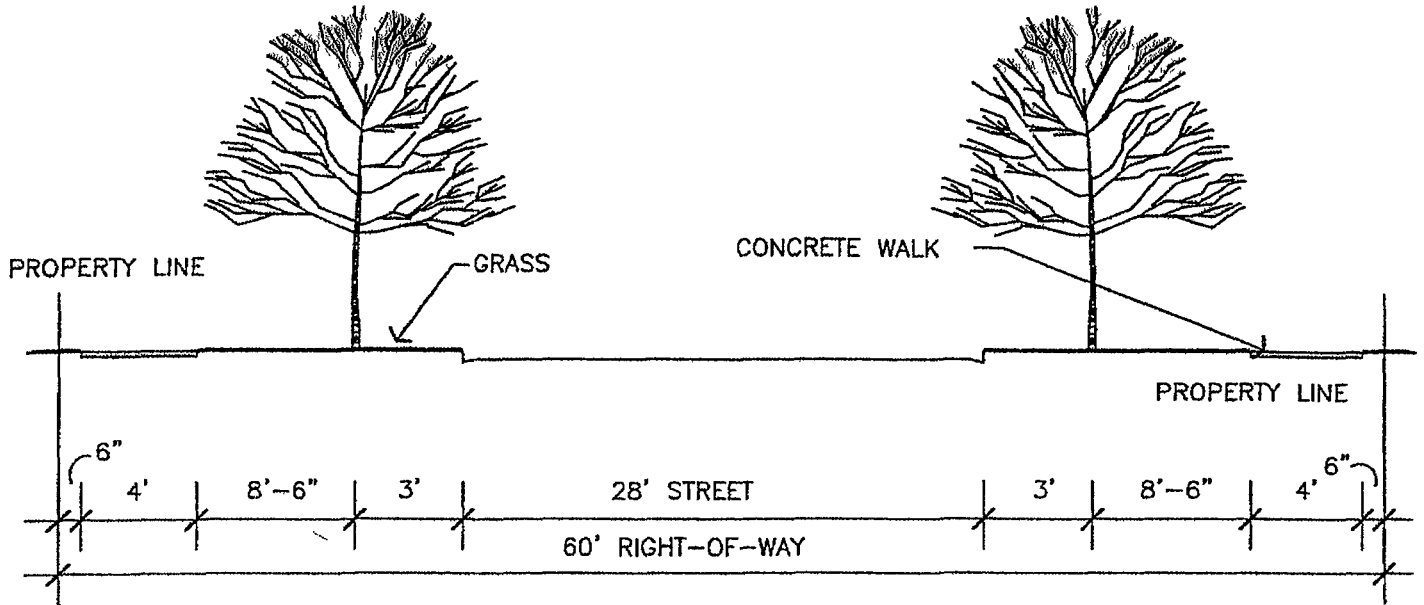
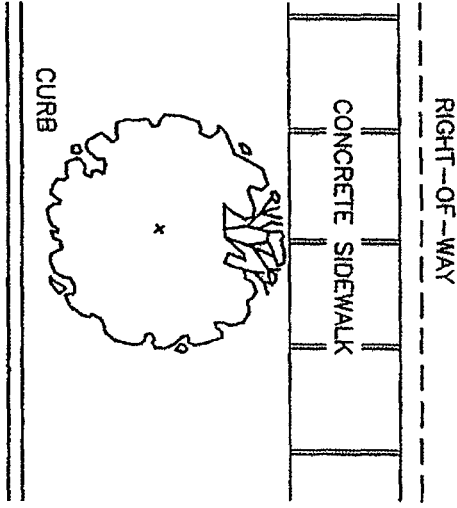
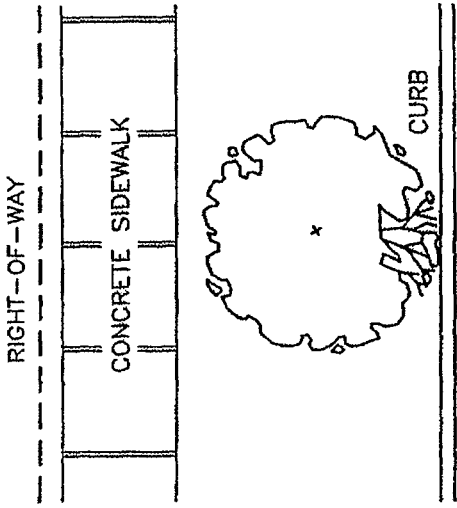
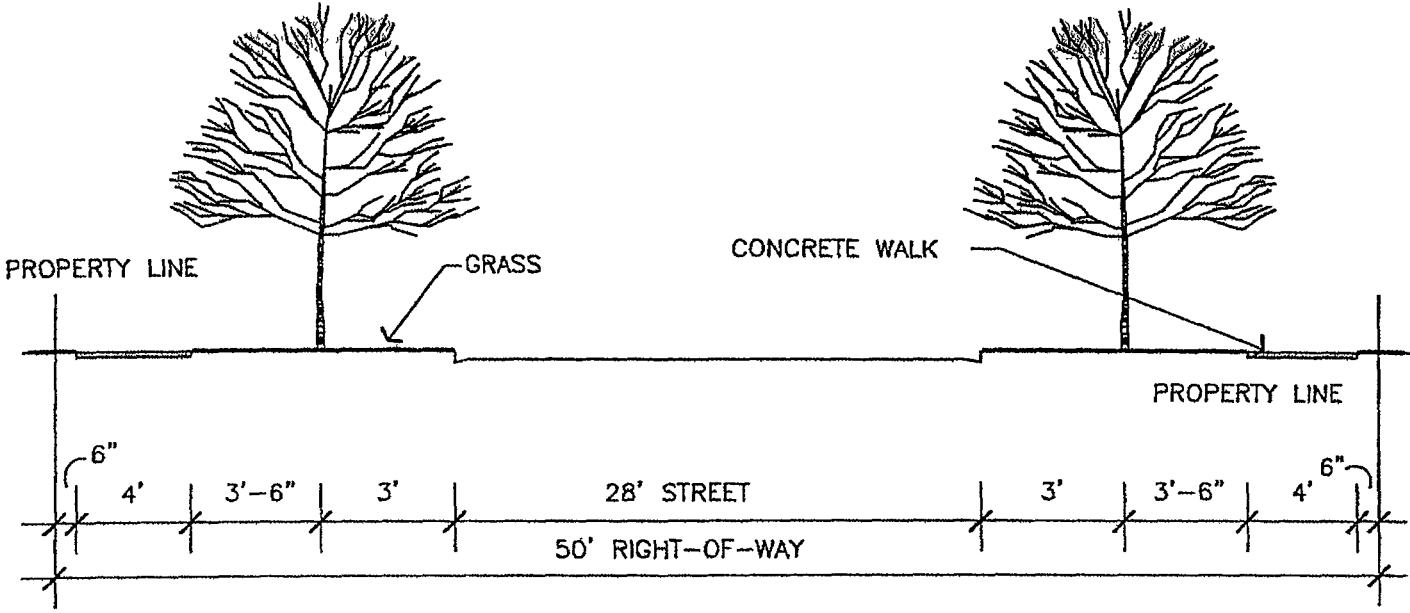


Exhibit L1
Street Tree Planting @ 60' r.o.w.



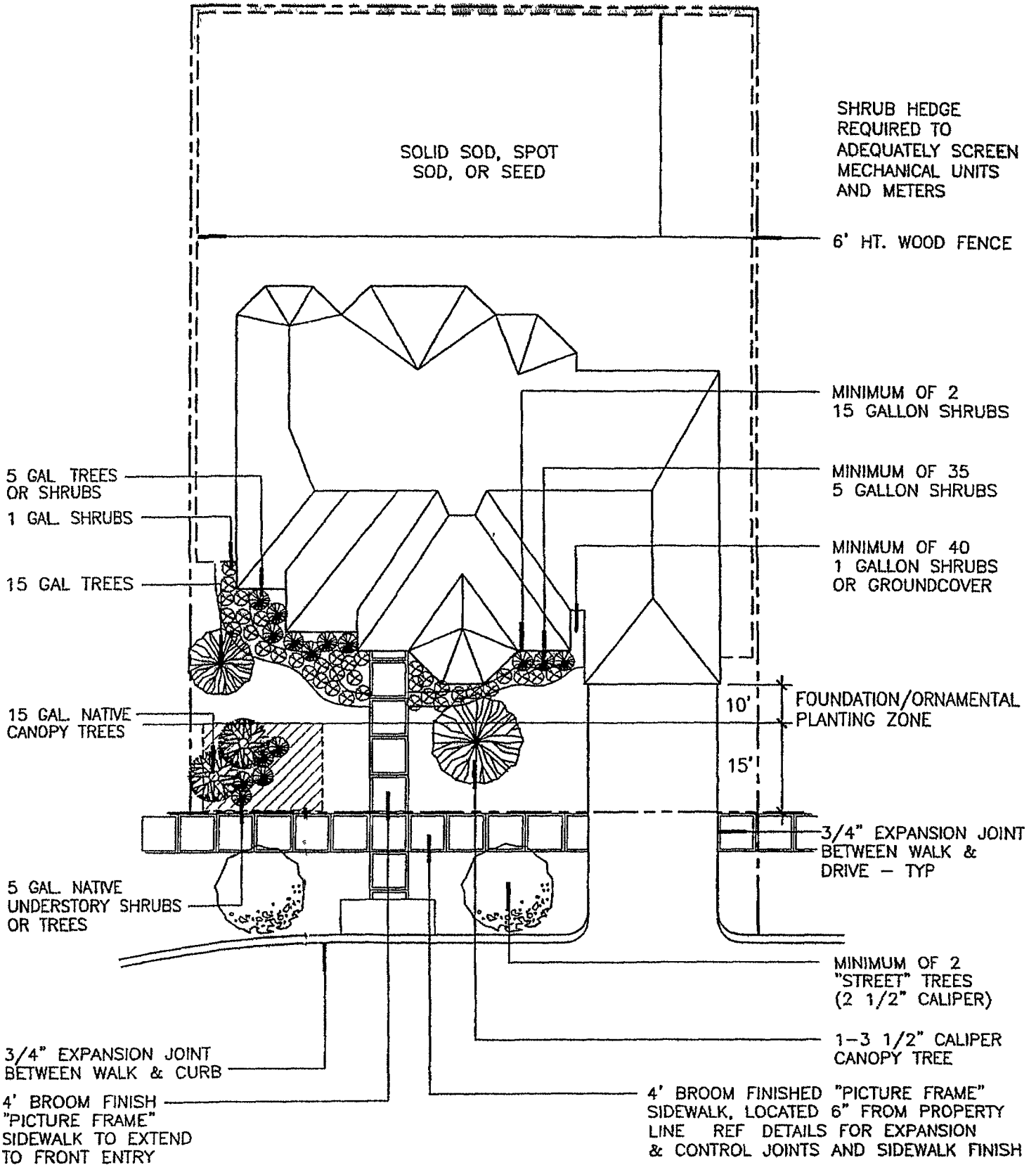
NOT TO SCALE

Exhibit L2
Street Tree Planting @ 50' r.o.w.



NOT TO SCALE

Exhibit L3
Production Lot Planting Plan/ Interior Lot



SOLID SOD, SPOT
SOD, OR SEED

SHRUB HEDGE
REQUIRED TO
ADEQUATELY SCREEN
MECHANICAL UNITS
AND METERS

6' HT. WOOD FENCE

MINIMUM OF 2
15 GALLON SHRUBS

MINIMUM OF 35
5 GALLON SHRUBS

MINIMUM OF 40
1 GALLON SHRUBS
OR GROUNDCOVER

10'
FOUNDATION/ORNAMENTAL
PLANTING ZONE

15'
3/4" EXPANSION JOINT
BETWEEN WALK &
DRIVE - TYP

MINIMUM OF 2
"STREET" TREES
(2 1/2" CALIPER)

1-3 1/2" CALIPER
CANOPY TREE

5 GAL TREES
OR SHRUBS

1 GAL SHRUBS

15 GAL TREES

15 GAL NATIVE
CANOPY TREES

5 GAL NATIVE
UNDERSTORY SHRUBS
OR TREES

3/4" EXPANSION JOINT
BETWEEN WALK & CURB

4' BROOM FINISH
"PICTURE FRAME"
SIDEWALK TO EXTEND
TO FRONT ENTRY

4' BROOM FINISHED "PICTURE FRAME"
SIDEWALK, LOCATED 6" FROM PROPERTY
LINE REF DETAILS FOR EXPANSION
& CONTROL JOINTS AND SIDEWALK FINISH

Exhibit L4
Production Lot Planting Plan/ Corner Lot

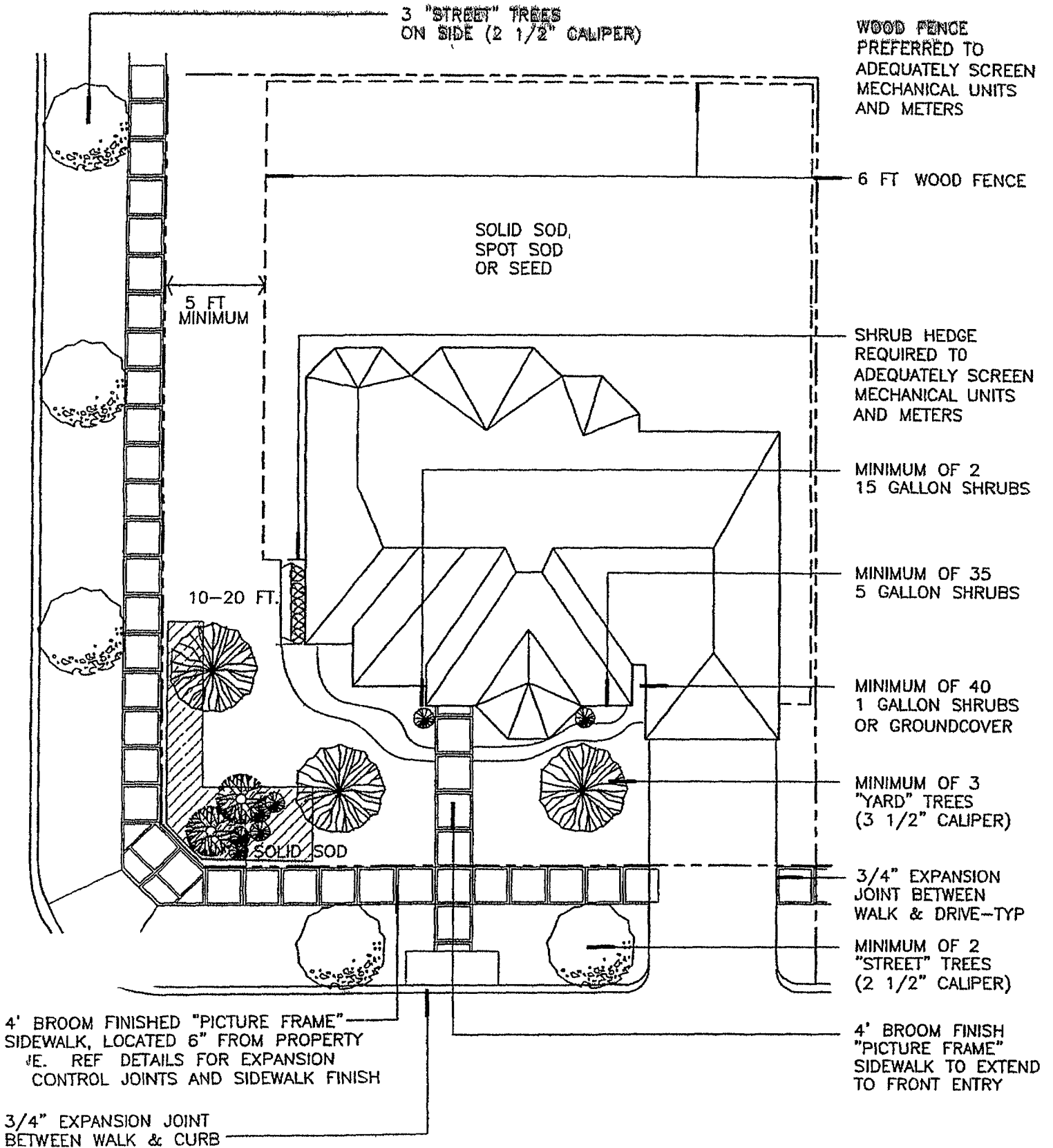
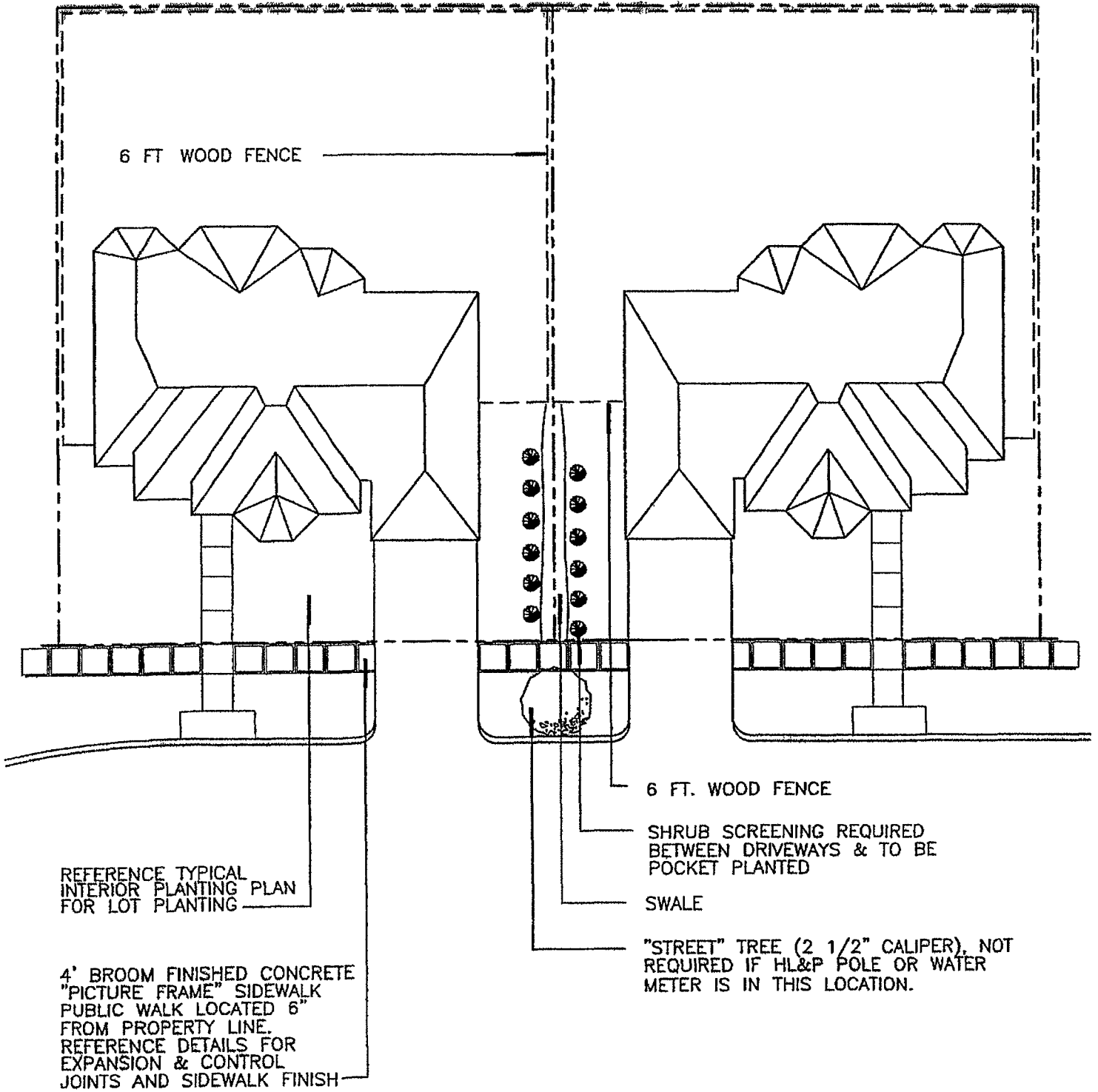
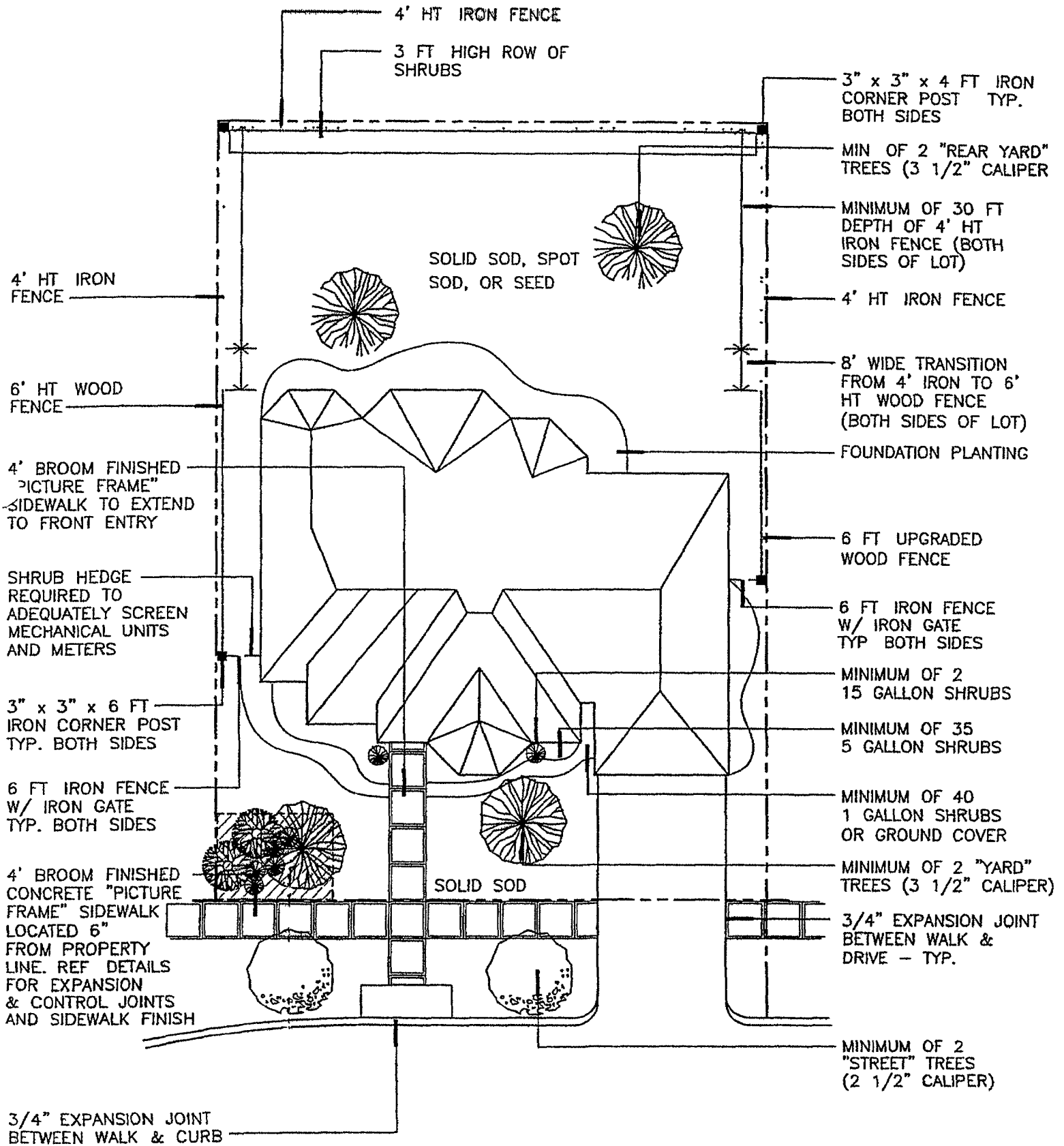


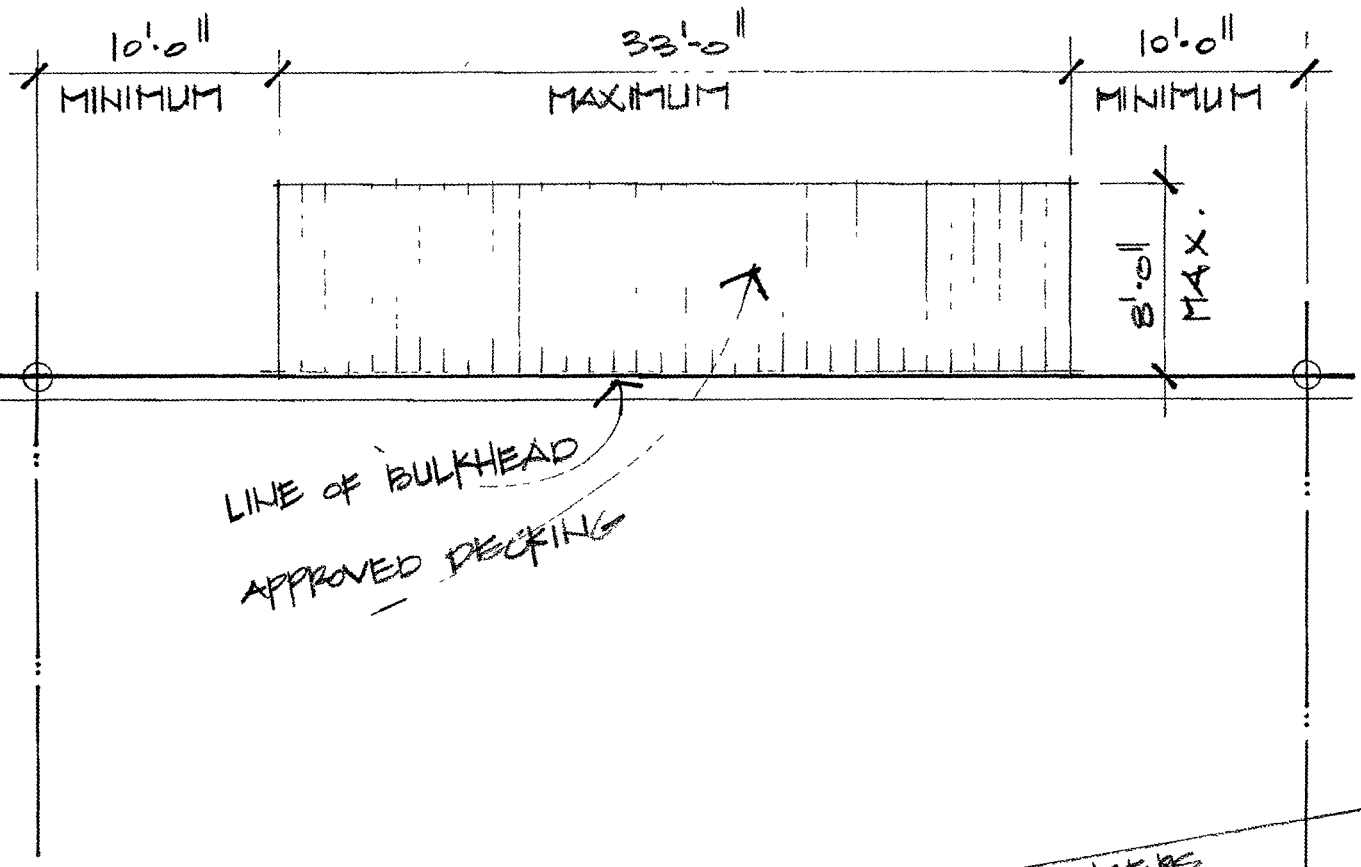
Exhibit L5
Screening Plan for Adjacent Garages



**Exhibit L6
Custom Lot Planting Plan**

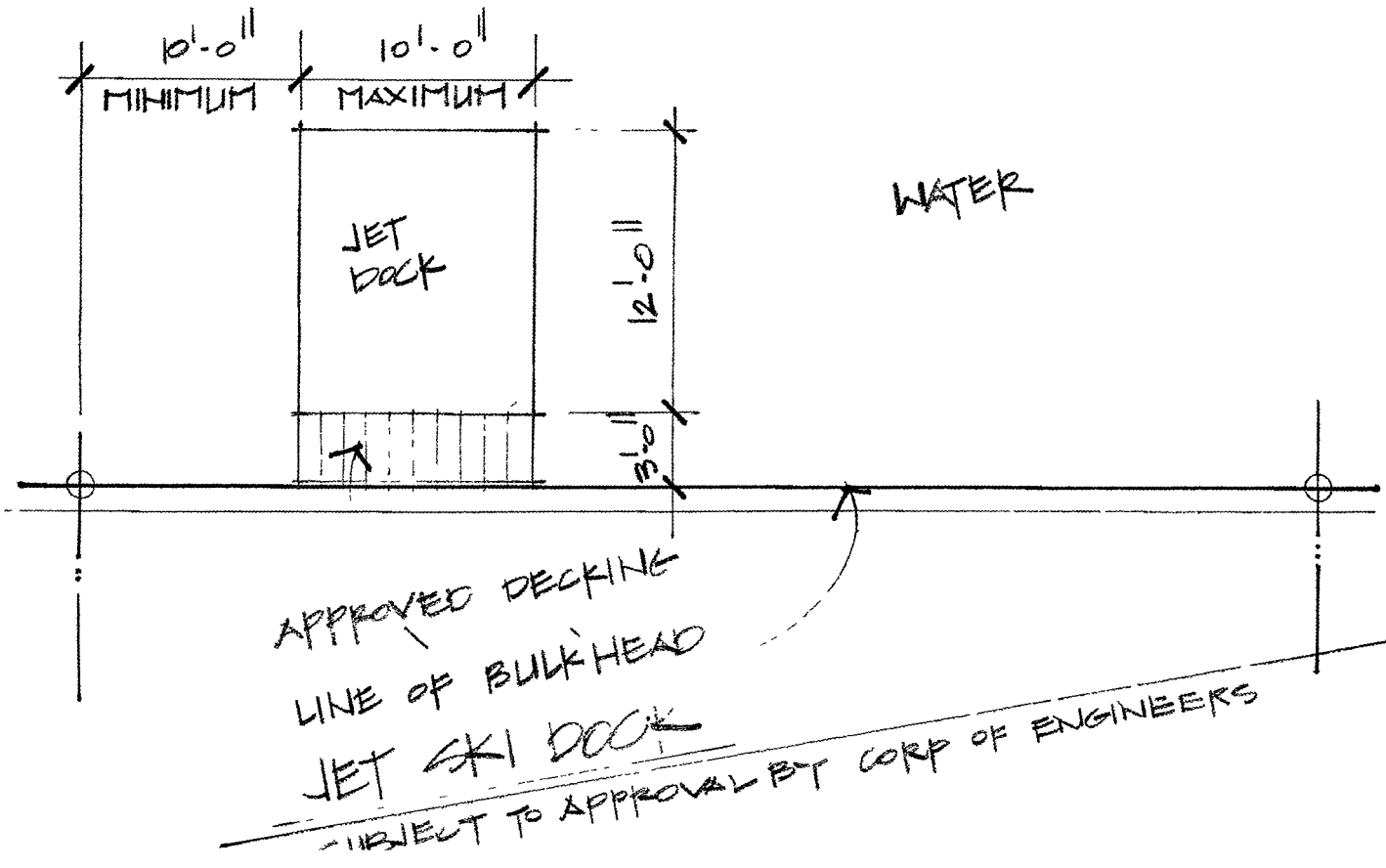


WATER



LINE OF BULKHEAD
 APPROVED DECKING

DOCK
 SUBJECT TO APPROVAL BY CORP OF ENGINEERS



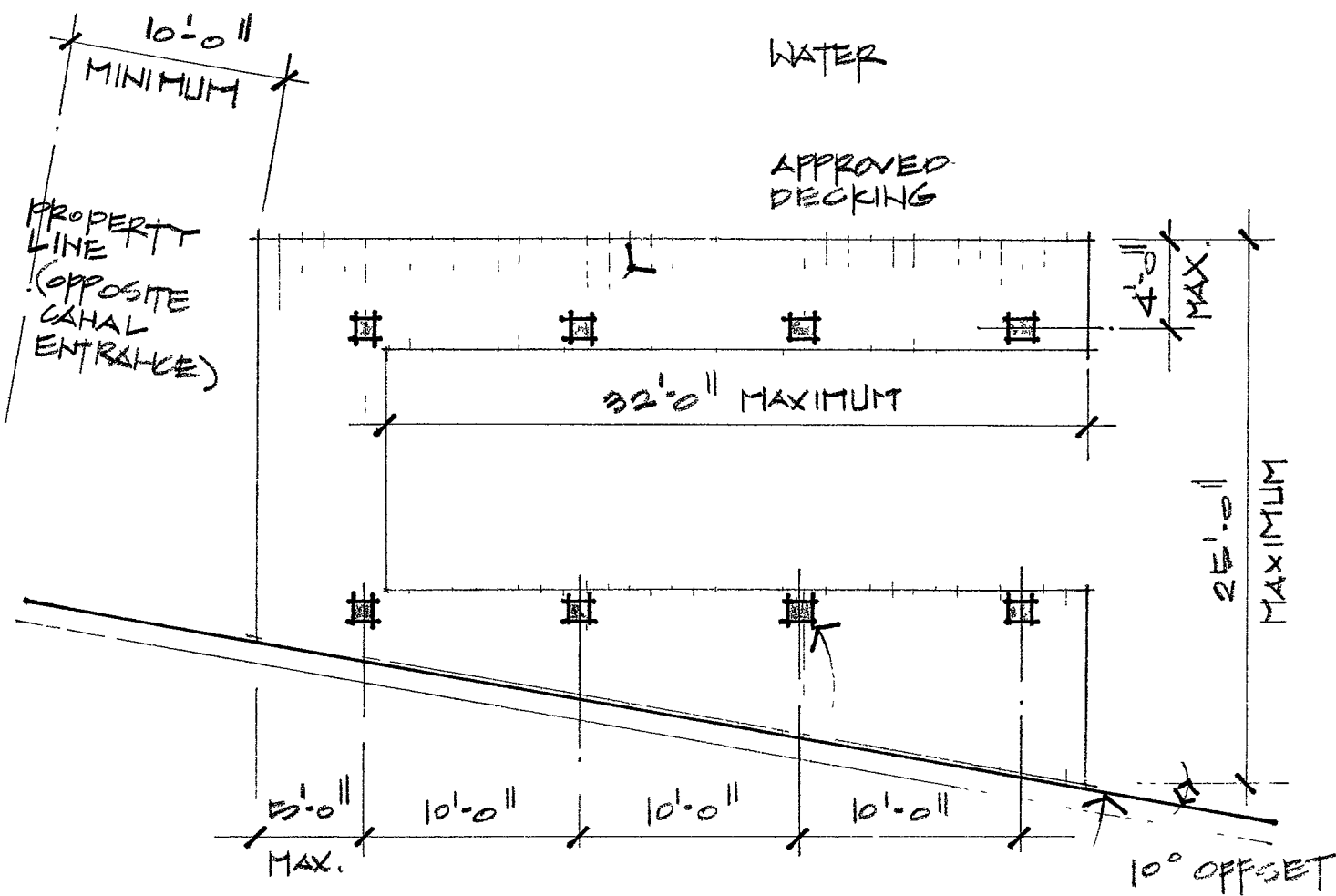
APPROVED DECKING
 LINE OF BULKHEAD
 JET SKI DOCK

SUBJECT TO APPROVAL BY CORP OF ENGINEERS

CANAL ENTRANCE 

WATER

APPROVED DECKING



10" x 10" TREATED PILES WRAPPED WITH HARDI PLANK OR APPROVED EQUAL

LINE OF BULKHEAD —

PROPERTY

BOAT DOCK / BOAT HOUSE

SUBJECT TO APPROVAL BY CORP OF ENGINEERS