

SF340 Series

sensorsforsafety.co.uk

Honeywell

World Class Products



**Hard wired
Carbon Monoxide Alarms**

Carbon Monoxide Alarm with battery backup



Why choose the SF340 Series:

- Unique 5 year module replacement system
- Up to 5 years battery back up
- Low maintenance & low cost of ownership
- Secure installation
- 230Vac & 12/24Vdc options
- Easy integration within existing systems
- Interconnect and relay output options
- Every alarm is tested and calibrated in carbon monoxide
- No re-wiring or main unit replacement costs

The SF340 Series is a range of reliable, hard wired Carbon Monoxide alarms with battery backup. They are designed for use in all domestic and light commercial environments.

Features & Benefits

Every unit in the SF340 series utilises the advanced ECO-Sure electrochemical cell sensing technology and comes complete with a full 10 year guarantee on the main unit and a full 5 year guarantee on each sensor module.

Every unit in the SF340 series offers up to 5 years battery backup allowing for continuous protection – even in the event of power loss. This also allows the unit to be operational whilst waiting for permanent installation.

Units can be provided to operate from various voltage options. 230Vac or 12/24Vdc units are all available for differing applications.

The SF340 has been specially designed for permanent, secure installation and is ideal for use by local authorities, housing associations and any organisation responsible for the safety of tenants and the maintenance of their homes.

The SF340 series of alarms incorporate a unique module replacement system. There are no re-wiring or main unit replacement costs, just a simple, clip-in module to change once every 5 years. This results in low ownership costs and minimal maintenance. Locking screws also ensure that only authorised persons can gain access to the unit.

Units are available with relay output and interconnect options. This enables connection to control panels, shut-off valves, remote alarms... etc, as well as allowing numbers of alarms to be linked together in series.

An internal diagnostic facility means the SF340 carries out continuous self-monitoring. If any fault is located in the sensor, battery or circuits, the unit will automatically give a warning signal within 60 seconds.

All gas appliances should be checked for safety annually.



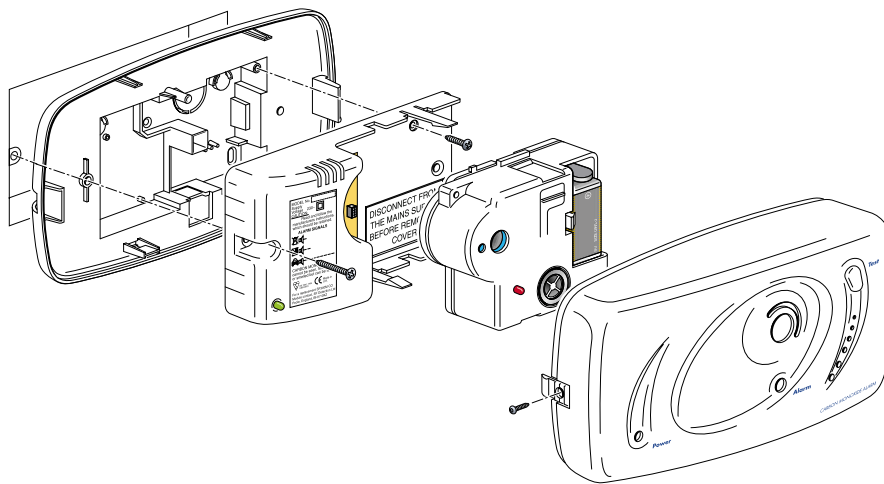
**From Honeywell Analytics,
Europe's No.1 Manufacturer
and Supplier of Carbon
Monoxide Alarms.**

General specification



Specification

Detection Principle:	Electrochemical cell
Operating Voltage:	230Vac or 12/24Vdc
Backup Battery:	9Vdc pp3
Power Consumption:	<2.5W
Main Unit Life:	No replacement required (10 year guarantee)
Module Life:	5 years (guaranteed)
Module Replacement Warning:	Double buzzer chirp every minute
Alarm Indication:	Buzzer and flashing red light
Buzzer Output:	85 decibels (dB) at 3m
Operating Temperature Range:	-5 to +40°C
Alarm Levels: (BS7860: 1996)	150ppm, between 10 to 30 minutes, 350ppm within 6 minutes
Weight:	575g approx.
Dimensions:	170 x 110 x 65mm
Test Facility:	Yes
Relay Output Fitted:	SF340F and SF340J
Models Available:	SF340E - 230Vac, SF340F - 230Vac + relay + interconnect SF340J - 12/24Vdc + relay + interconnect



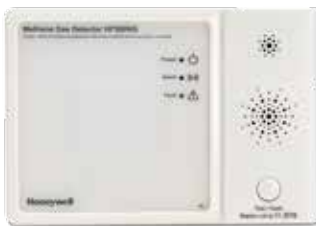
The Carbon Monoxide Consumer Awareness Alliance (COCAA) is co-ordinated by CORGI and is aimed at raising awareness surrounding the dangers of Carbon Monoxide poisoning in the UK. It is represented by members of the gas, solid fuel (wood, coal), oil, Carbon Monoxide alarm industries and Carbon Monoxide victim support groups.

Use of the COCAA logo above demonstrates Honeywell Analytics' commitment to supporting this alliance and helping to promote CO awareness across the UK.

Our Gas Detection Product Range



HF500 Hard-Wired Flammable Gas Alarm



The HF500 alarms are designed to deliver a complete solution for the detection of LPG (Liquefied Petroleum Gas) and Natural Gas/Methane. Optimised for use by professionals dealing with flammable leak detection, HF500 is ideally suited for use in private or social housing as well as other forms of residential care.

e^zsense Battery Flammable Gas Alarm



e^zsense is the most convenient way to detect Natural Gas, Propane, Butane, LPG and LNG. It is compact and light on the pocket in more ways than one.

SF340 Series Hard-Wired Carbon Monoxide Alarm



The SF340 Series is a range of reliable, hard-wired Carbon Monoxide alarms with battery back-up. They are designed for use in all domestic and light commercial environments.

Find out more

www.homesafety.honeywell.com
www.honeywellanalytics.com

Contact us:

UK Customer Service Centre:

Honeywell Analytics Ltd.
4 Stinsford Road
Nuffield Industrial Estate
Poole, Dorset BH17 0RZ
Tel: +44 (0)1202 645577
Fax: +44 (0)1202 665331
consumer@honeywell.com

Acts for and on behalf of Life Safety Distribution AG,
Javastrasse 2, 8604 Hegnau, Switzerland by its
Authorised Representative Honeywell Inc.

sensorsforsafety.co.uk

World Class Products

E: sales@sensorsforsafety.co.uk T: 01423 206360 F: 01423 206370

Sensors for Safety Ltd | Knaresborough Tech Park | Manse Lane | Knaresborough | N.Yorks | HG5 8LF | UK

www.sensorsforsafety.co.uk

Please Note:

While every effort has been made to ensure accuracy in this publication, no responsibility can be accepted for errors or omissions. Data may change, as well as legislation, and you are strongly advised to obtain copies of the most recently issued regulations, standards, and guidelines. This publication is not intended to form the basis of a contract.