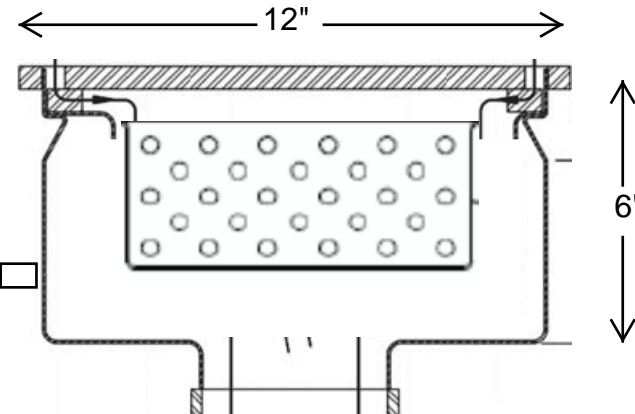
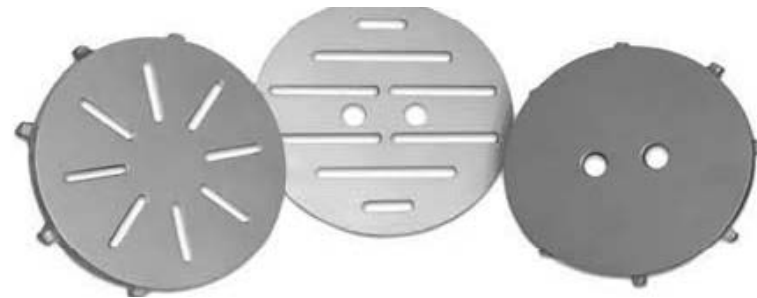
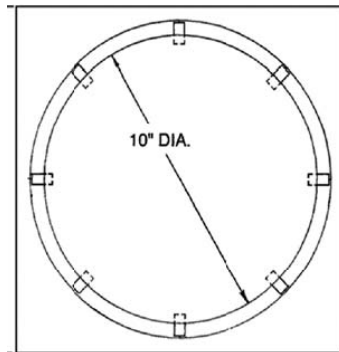


# WICKETTS STAINLESS SPECIFICATION



Optional Trap Primer Connection.

OUTLET 3"; 4" ; 6"



**Engineering Specification:** Construction Of 304 Stainless Steel Body Fully Welded; Rated For Heavy Equipment #10,000; Variety of Drainage Covers; !! Sediment Basket. \* CONFORMS TO ASME A112.19.3

WICKETTS STAINLESS, INC  
2618 San Miguel Dr. Bldg. # 376  
Newport Beach, CA 92660  
T. 951-858-2548  
F. 951-858-2548  
sales@wickettsstainless.com  
www.wickettsstainless.com



Approved for Manufacturing
Company: _____
Signature: _____