

DR. SHANNON WALKER NEIGHBORHOOD LIBRARY

5505 BELROSE DRIVE
HOUSTON, TX 77035

ARCHITECT:
BRAVE ARCHITECTURE
4200 MONTROSE BLVD.
SUITE 400
HOUSTON, TX 77006
P: 713.524.5858
F: 713.524.5868

GENERAL CONTRACTOR
SPAWGLASS CONSTRUCTION
13800 WEST ROAD
HOUSTON, TX 77041
P: 281.970.5300

ERECTOR

THE THEUT COMPANY, LLC
P.O. BOX 894
1317 BUSINESS 71 N
COLUMBUS, TX 78934
P: 979.732.2201

LEGENDS/SYMBOLS

	FINISHED WOOD		PLYWOOD
	DIMENSION LUMBER		BATT INSULATION
	FACE BRICK		GROUT
	RIGID INSULATION		GLAZED TILE
	CUT STONE		MARBLE
	CONCRETE		ACOUSTICAL CEILING
	CONCRETE BLOCK		SHIM PACK
	STEEL IN SECTION		ALUMINUM
	DENOTES BLOCKING OR SHIM, NOT CONTINUOUS, NOT NECESSARILY ONE PIECE & NOT BY THEUT CO., LLC		
	DENOTES BACKER ROD OR CAULK ROPE		
	ANCHOR LOCATION		
	FASTENER LOCATION		
	DIMENSIONAL REFERENCE / ELEVATION		
	GLAZING INDICATION NUMBER		
	DETAIL NUMBER		
	SHEET NUMBER		
	DETAIL TAG		
	SHOP DRAWING DETAIL NUMBER		
	SHOP DRAWING SHEET NUMBER		
	ARCH. DRAWING DETAIL REFERENCE		
	SHOP DRAWING ELEVATION REFERENCE		
	WINDOW MARK		
	REVISION NO. (SMALL TRIANGLE)		
	DOOR NUMBERS		
	ELEVATION LOCATION-VIEW POINT ELEVATION MARK/TITLE ELEVATION SHEET NUMBER		
	DENOTES NORTH DIRECTION		

ABBREVIATIONS

A/C	= ACCESS CONTROLLED	N.I.C.	= NOT IN CONTRACT
A.F.F.	= ABOVE FINISHED FLOOR	N.T.S.	= NOT TO SCALE
ALUM.	= ALUMINUM STOREFRONT	O.D.	= OPENING DIMENSION
B.O.	= BY OTHERS	O.F.D.	= OVERALL FRAME DIMENSION
B.O.H.	= BOTTOM OF HORIZONTAL	P.S.	= PANEL SIZE
C.L.	= CENTER LINE	REF.	= REFERENCE
DIM.	= DIMENSION	R.O.	= ROUGH OPENING
D.L.O.	= DAYLIGHT OPENING	T.O.F.F.	= TOP OF FINISHED FLOOR
D.L.	= DEAD LOAD (ANCHOR)	T.O.H.	= TOP OF HORIZONTAL
D.O.	= DOOR OPENING	B.O.M.R.	= BOTTOM OF MID RAIL
EL.	= ELEVATION	T.O.S.	= TOP OF SLAB
F.S.	= FRAME SIZE	T.O.STL.	= TOP OF STEEL
F.F.	= FINISH FLOOR	T.O.R.	= TOP OF RAIL
G.C.	= GENERAL CONTRACTOR	U.N.O.	= UNLESS NOTED OTHERWISE
M.O.	= MASONRY OPENING	W.D.	= WINDOW DIMENSION
M.L.	= MULLION LENGTH	W.L.	= WIND LOAD (ANCHOR)
N.B.T.	= NOT BY THEUT	W.P.	= WORKING POINT

THE FOLLOWING DOCUMENTS WERE USED TO PRODUCE SHOP DRAWINGS

ARCHITECTURAL DRAWINGS DATED: 10.03.2022 "ISSUE FOR CONSTRUCTION"

CUSTOMER TAKEOFF: YES

SPECIFICATIONS: NO

ADDENDUM: LATEST: "ISSUE FOR CONSTRUCTION" 10.03.2022

OTHER: N/A

INDEX

SHEET NUMBER	DESCRIPTION
.01	COVER SHEET
.02	DOOR SCHEDULES
.03	GLASS & WINDOW SYSTEM SCHEDULES
1.01	FLOOR PLANS
2.01 - 2.16	CLEAR WALL CURTAINWALL ELEVATIONS
2.17 - 2.19	6400 WINDOW ELEVATIONS
2.20 - 2.22	VG451 ELEVATIONS
2.23 - 2.24	VG451 SSG ELEVATIONS
3.01 - 3.12	CLEAR WALL CURTAINWALL DETAILS
3.13 - 3.14	6400 WINDOW DETAILS
3.15 - 3.17	VG451 DETAILS
3.18 - 3.19	VG451 SSG DETAILS

12.16.22	1ST SUBMISSION	
04.21.23	1ST REVISION	
06.01.23	2ND REVISION(ENGINEERING)	
	NO	DESCRIPTION
	NO	DATE
		DRAWING SUBMISSION

THE THEUT COMPANY, LLC
P.O. BOX 894
1317 BUSINESS 71 N
COLUMBUS, TX 78934
P: 979.732.2201

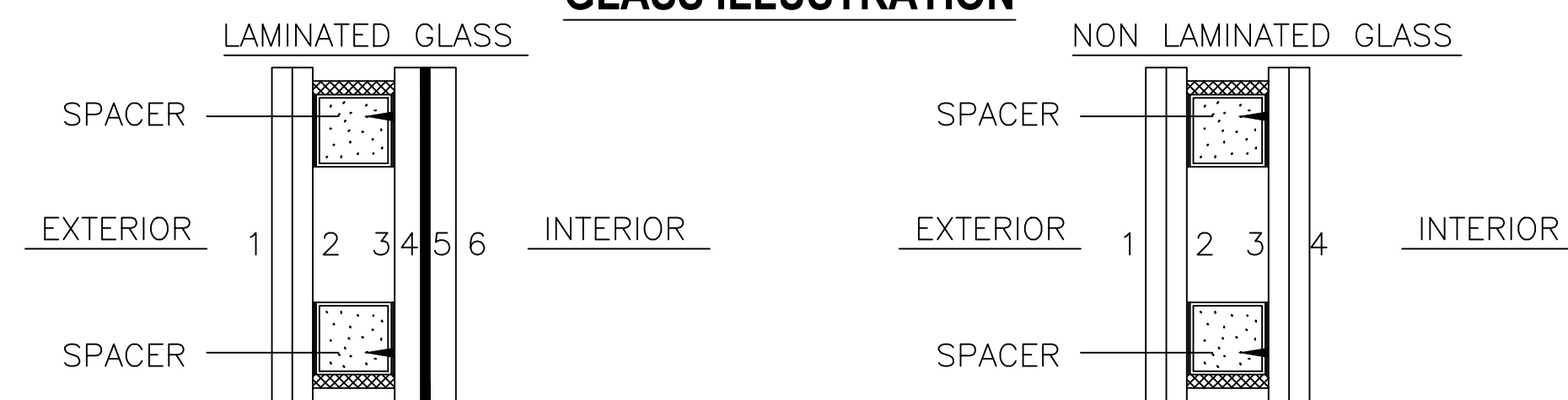
PROJECT: DR. SHANNON WALKER
NEIGHBORHOOD LIBRARY
LOCATION: 5505 BELROSE DRIVE
HOUSTON, TX 77035

DRAWN BY:	CW	DATE:	12.16.22
CHECKED BY:	ST	DATE:	12.16.22

GLASS SCHEDULE

GLAZING		
(GT1)	1 3/16" INSULATED LAMINATED -1/4" CLEAR TEMPERED GLASS WITH SOLARBAN 90 ON #2 SURFACE -1/2" AIR SPACE -3/8" LAMINATED GLASS -3/16" HEAT STRENGTHENED -0.060 CLEAR INTERLAYER -3/16" HEAT STRENGTHENED	CLEAR
(GT2)	1 3/16" INSULATED LAMINATED -1/4" CLEAR TEMPERED GLASS WITH SOLARBAN 90 ON #2 SURFACE -1/2" AIR SPACE -3/8" LAMINATED GLASS -3/16" HEAT STRENGTHENED -0.060 BLUE INTERLAYER -3/16" HEAT STRENGTHENED	BLUE
(GT3)	1 3/16" INSULATED LAMINATED -1/4" CLEAR TEMPERED GLASS WITH SOLARBAN 90 ON #2 SURFACE -1/2" AIR SPACE -3/8" LAMINATED GLASS -3/16" HEAT STRENGTHENED -0.060 RED INTERLAYER -3/16" HEAT STRENGTHENED	RED
(GT4)	1 3/16" INSULATED LAMINATED -1/4" CLEAR TEMPERED GLASS WITH SOLARBAN 90 ON #2 SURFACE -1/2" AIR SPACE -3/8" LAMINATED GLASS -3/16" HEAT STRENGTHENED -0.060 YELLOW INTERLAYER -3/16" HEAT STRENGTHENED	YELLOW
(GT5)	1 3/16" INSULATED LAMINATED -1/4" CLEAR TEMPERED GLASS WITH SOLARBAN 90 ON #2 SURFACE -1/2" AIR SPACE -3/8" LAMINATED GLASS -3/16" HEAT STRENGTHENED -0.060 GREEN INTERLAYER -3/16" HEAT STRENGTHENED	GREEN
(GT6)	1 3/16" INSULATED LAMINATED -1/4" CLEAR TEMPERED GLASS WITH SOLARBAN 90 ON #2 SURFACE -1/2" AIR SPACE -3/8" LAMINATED GLASS -3/16" HEAT STRENGTHENED -0.060 PURPLE INTERLAYER -3/16" HEAT STRENGTHENED	PURPLE
(GT7)	1 3/16" INSULATED LAMINATED -1/4" CLEAR TEMPERED GLASS WITH SOLARBAN 90 ON #2 SURFACE -1/2" AIR SPACE -3/8" LAMINATED GLASS -3/16" HEAT STRENGTHENED -0.060 ORANGE INTERLAYER -3/16" HEAT STRENGTHENED	ORANGE
(GT8)	1" INSULATED -1/4" CLEAR TEMPERED GLASS WITH SOLARBAN 90 ON #2 SURFACE -1/2" AIR SPACE -1/4" CLEAR TEMPERED	CLEAR
(GT9)	1" INSULATED INTERIOR -1/4" CLEAR TEMPERED -1/2" AIR SPACE -1/4" CLEAR TEMPERED	CLEAR

GLASS ILLUSTRATION



WINDOW SYSTEMS:

EXTERIOR CURTAINWALLS:
 KAWNEER CLEARWALL - 2 1/2" X 7 1/2"
 TO ACCEPT 1 3/16" GLASS.

EXTERIOR STOREFRONT:
 KAWNEER AA-6400 SERIES - 4" FRAME DEPTH
 TO ACCEPT 1" GLASS.

INTERIOR STOREFRONT:
 KAWNEER TRIFAB VG 451 NON THERMAL
 CENTER SET TO ACCEPT 1" GLASS

KAWNEER TRIFAB VG 451 SSG NON THERMAL
 FRONT SET TO ACCEPT 1" GLASS

ALUMINUM DOORS:
 KAWNEER (1 3/4" THICK) MEDIUM STILE DOORS
 WITH 10" BOTTOM RAIL.
 EXTERIOR TO ACCEPT 1" GLASS.

FINISH:
 CLASS I CLEAR ANODIZED

SPECIAL NOTES:

- SEE SEPARATE SAMPLES FOR GLASS MAKE UP.
- ALL WATER PROOFING MEMBRANE AND THRU WALL FLASHING IS SUPPLIED AND INSTALLED BY OTHERS. WATER PROOFING MEMBRANE MUST RETURN PAST THE "DRY LINE" OF THE WINDOW SYSTEM.
- PERIMETER SUBSTRATE MUST RETURN BEHIND STOREFRONT FRAME TO ALLOW FOR PROPER CAULKING TO MAINTAIN A WATERPROOF CONDITION.
- ALL BLOCKING AND STRUCTURAL SUPPORT IS SUPPLIED AND INSTALLED BY OTHERS.
- ALL ELEVATIONS ARE VIEWED FROM THE EXTERIOR UNLESS NOTED OTHERWISE.
- BREAK METAL FLASHING AT STOREFRONT SILLS BY THEUT.

EXCLUSIONS:

- UNLESS STATED OTHERWISE, THE FOLLOWING ITEMS ARE NOT SUPPLIED BY THEUT CO., LLC
- A. HOLLOW METAL FRAMING
 - B. WOOD DOORS
 - C. STRUCTURAL SUPPORT OR BLOCKING.
 - D. FINAL CLEANING OF GLASS OR METAL.
 - E. PROTECTION OF WORK IN PLACE.
 - F. FIRE PROOFING
 - G. HOLLOW METAL DOORS
 - H. FLASHING UNLESS OTHERWISE NOTED
 - I. EXPANSION JOINTS
 - J. METAL PANELING

12.16.22	12.16.22	04.21.23	06.07.23
1ST SUBMISSION	1ST REVISION	2ND REVISION(ENGINEERING)	
			DATE
			DESCRIPTION
			DRAWING SUBMISSION

THE THEUT COMPANY, LLC
 P.O. BOX 894
 1317 BUSINESS 71 N
 COLUMBUS, TX 78934
 P: 979.732.2201

PROJECT: DR. SHANNON WALKER
 NEIGHBORHOOD LIBRARY

LOCATION: 5505 BELROSE DRIVE
 HOUSTON, TX 77035

DRAWN BY: CW	DATE: 12.16.22
CHECKED BY: ST	DATE: 12.16.22

DOOR SCHEDULE

DOOR	SIZE	HAND	DOOR TYPE	FRAME	FRAMING	HARDWARE	LOCATION
10	3'-0" X 7'-11 3/4"	RH-HLSO	MEDIUM STILE	T	KAWNEER TRIFAB VG451	GROUP # 103A	TECH LOBBY
11	3'-0" X 7'-11 3/4"	RH-HRSI	MEDIUM STILE	B2	KAWNEER TRIFAB VG451	GROUP # 103A	TECH LOBBY
12	3'-0" X 7'-11 3/4"	LH-HLSI	MEDIUM STILE	B	KAWNEER TRIFAB VG451	GROUP # 103A	TECH LOBBY
43	3'-0" X 7'-11 3/4"	RH-HRSI	MEDIUM STILE	B2	KAWNEER TRIFAB VG451	GROUP # 811A	ADA PHONE BOOTH
44	3'-0" X 7'-11 3/4"	LH-HLSI	MEDIUM STILE	B	KAWNEER TRIFAB VG451	GROUP # 811A	ADA PHONE BOOTH
70	3'-0" X 7'-11 3/4"	RH-HRSI	MEDIUM STILE	B2	KAWNEER TRIFAB VG451	GROUP # 103A	STAFF WORKROOM
72	3'-0" X 7'-11 3/4"	RH-HRSI	MEDIUM STILE	B1	KAWNEER TRIFAB VG451	GROUP # 103A	MANAGER OFFICE

DOOR NOTES:
 1) ALUMINUM STOREFRONT DOORS ARE TO BE KAWNEER MEDIUM STILE (1 3/4" THICK) WITH 10" BOTTOM RAIL.
 2) DOORS RECEIVE 1" INSULATED GLASS.

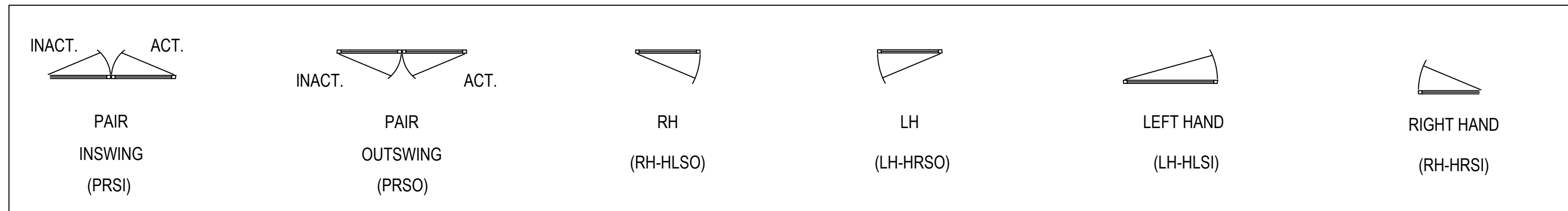
DOOR HARDWARE NOTES:
 1) ALL HARDWARE IS SUPPLIED BY OTHERS. THEUT GLASS WILL PREP AND INSTALL THE HARDWARE PER THE APPROVED HARDWARE SCHEDULE. AN APPROVED HARDWARE SCHEDULE MUST BE SUPPLIED. ANY DELAY IN RECEIVING AN APPROVED HARDWARE SCHEDULE WILL RESULT IN A DIRECT DELAY OF THE DOOR FABRICATION.
 2) ALL HARDWARE MUST BE SUPPLIED TO THEUT GLASS. PLEASE MARK EACH BOX CLEARLY WITH DOOR NUMBERS. ANY DELAY IN RECEIVING THE HARDWARE WILL RESULT IN A DIRECT DELAY IN DOOR SHIPMENT.

HARDWARE GROUP # 103A:

- (3 EA) HINGES
 - CATALOG NUMBER: 5BB1 4.5 X 4.5
 - FINISH: 652
 - MFR: IVE
- (1 EA) ENTRY/OFFICE LOCK
 - CATALOG NUMBER: T511B QUA
 - FINISH: 626
 - MFR: FAL
- (1 EA) 7-PIN SFIC CORE
 - CATALOG NUMBER: CL-SF03 X CONST. CORE AS REQ
 - FINISH: 626
 - MFR: CYB
- (1 EA) WALL STOP
 - CATALOG NUMBER: WS406/407/CCV
 - FINISH: 626
 - MFR: IVE
- (1 SET) SEAL
 - PERIMETER SEAL BY FRAME MANUFACTURER

HARDWARE GROUP # 811A:

- (1 EA) CONT. HINGE
 - CATALOG NUMBER: 112XY
 - FINISH: 628
 - MFR: IVE
- (1 EA) LONG DOOR PULL
 - CATALOG NUMBER: (1 SET) PR 9266 36" (BACK TO BACK MOUNTED)
 - FINISH: 630
 - MFR: IVE
- (1 EA) SURFACE CLORER
 - CATALOG NUMBER: SC81 RW/PA FC X MTG BRKT, SPCR AND PLATE AS REQ.
 - FINISH: 689
 - MFR: FAL
- (1 EA) WALL STOP
 - CATALOG NUMBER: WS406/407/CCV
 - FINISH: 626
 - MFR: IVE
- (1 SET) SEAL
 - PERIMETER SEAL BY FRAME MANUFACTURER



12.16.22	04.21.23	06.01.23	DATE
1ST SUBMISSION	1ST REVISION	2ND REVISION(ENGINEERING)	
DRAWING SUBMISSION			

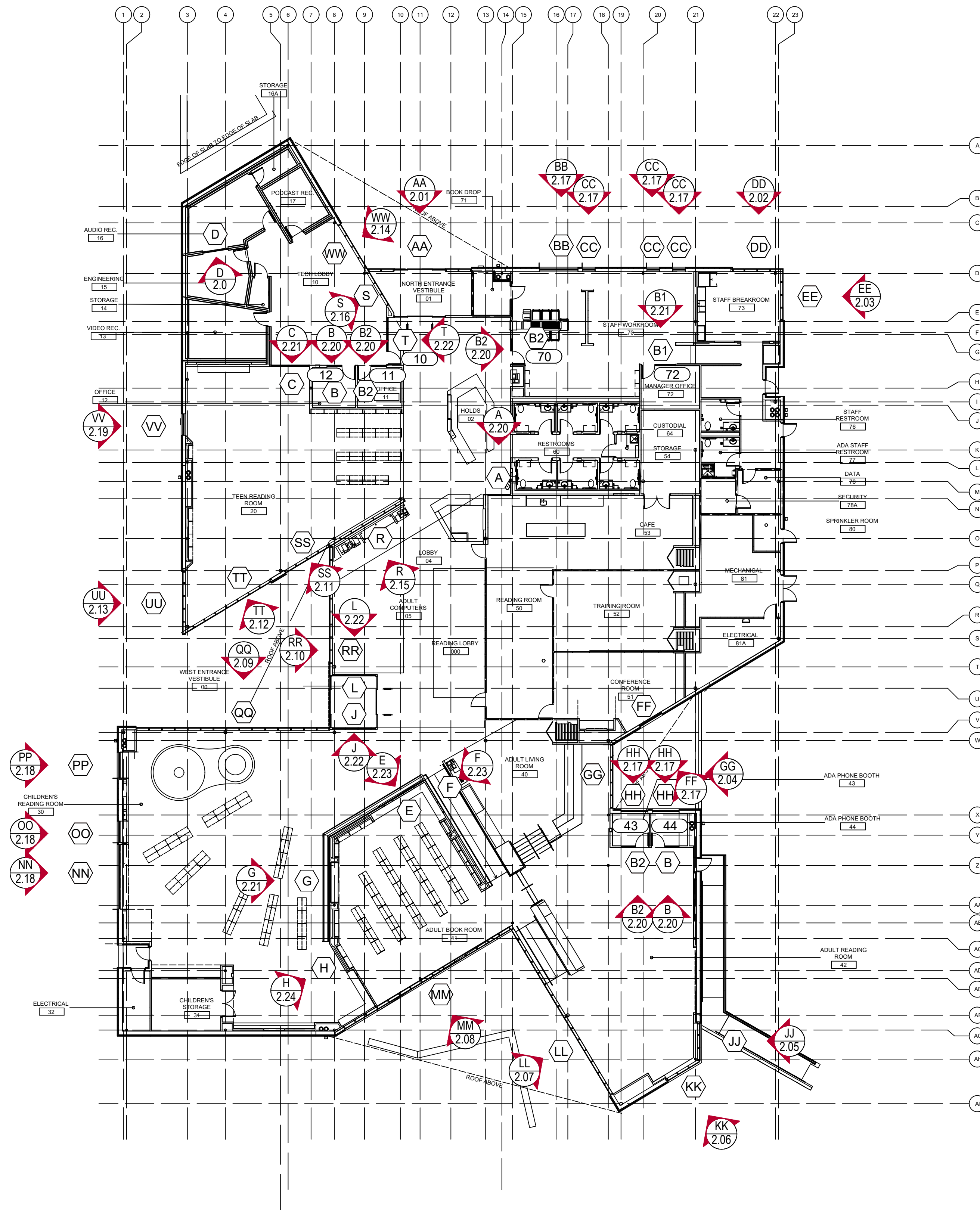
THE THEUT COMPANY, LLC
 P.O. BOX 894
 1317 BUSINESS 71 N
 COLUMBUS, TX 78934
 P: 979.732.2201

PROJECT: DR. SHANNON WALKER
 NEIGHBORHOOD LIBRARY
 LOCATION: 5505 BELROSE DRIVE
 HOUSTON, TX 77035

DRAWN BY: CW	DATE: 12.16.22
CHECKED BY: ST	DATE: 12.16.22

ARCH / G.C. NOTE:

FLOOR PLANS ARE PROVIDED FOR OPENING TYPE LOCATION ONLY. REFER TO SPECIFIC MARK ELEVATIONS FOR SIZE REFERENCE DIMENSIONING, MULLION SPACING, ETC.



FIRST FLOOR PLAN

NTS ARCH. REF.: A.101



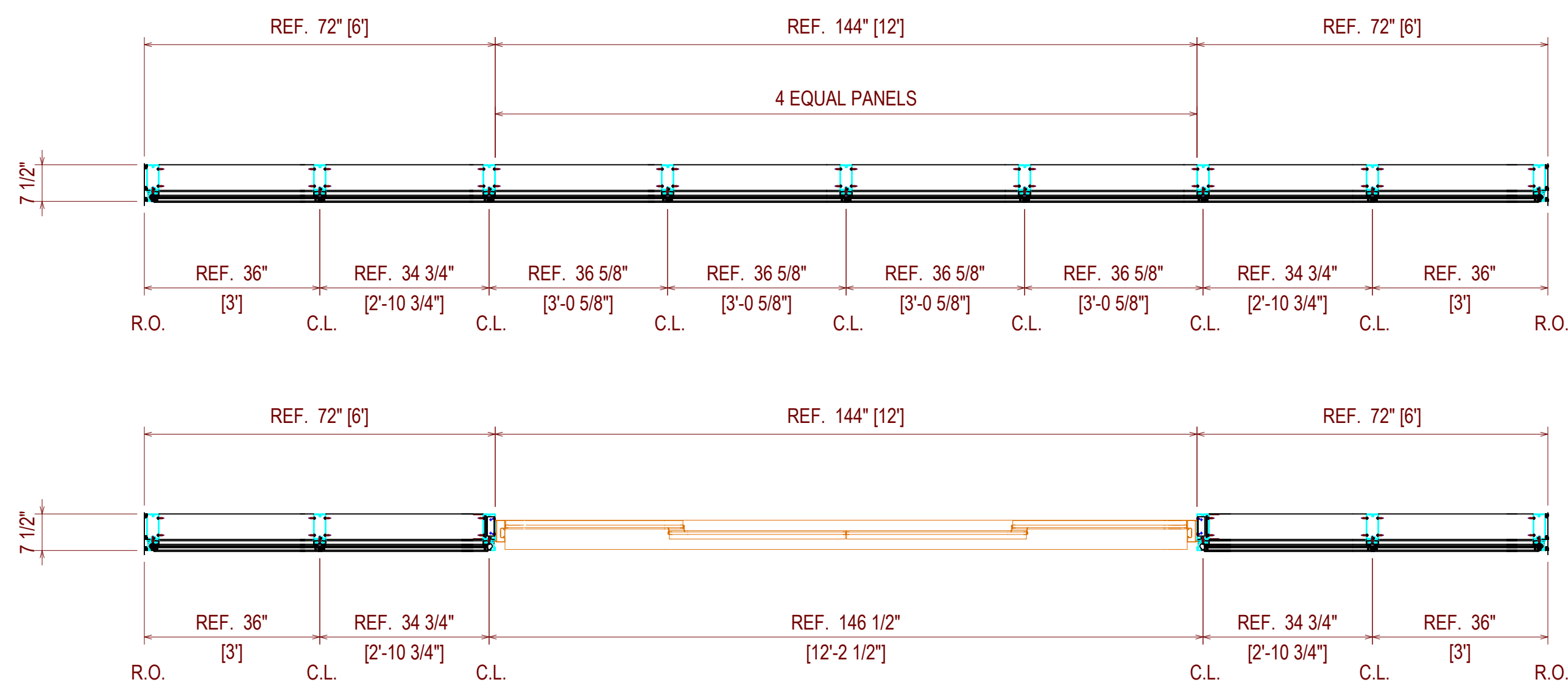
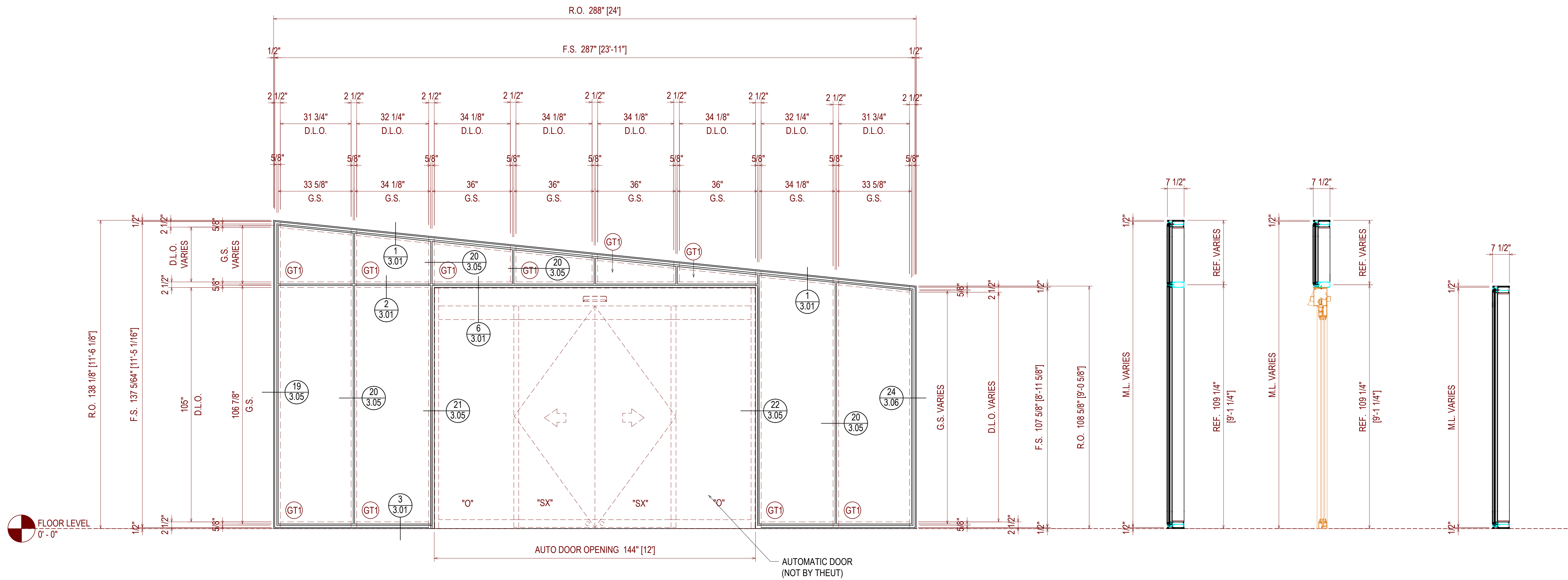
12.16.22	1ST SUBMISSION
04.21.23	1ST REVISION
06.07.23	2ND REVISION(ENGINEERING)
	DATE

THE THEUT COMPANY, LLC
 P.O. BOX 894
 1317 BUSINESS 71 N
 COLUMBUS, TX 78934
 P: 979.732.2201

DR. SHANNON WALKER
 NEIGHBORHOOD LIBRARY

LOCATION: 5505 BELROSE DRIVE
 HOUSTON, TX 77035

DRAWN BY: CW	DATE: 12.16.22
CHECKED BY: ST	DATE: 12.16.22



ELEVATION AA
 SCALE: 1/2" = 1'-0"
 KAWNEER CLEAR WALL - 2 1/2" X 7 1/2"
 EXTERIOR CURTAINWALL
 1 3/16" INSULATED LAMINATED GLASS (FRONT SET)
 QUANTITY: 1

ERECTOR / G.C. NOTE:
 PLEASE FIELD VERIFY ALL DIMENSIONS

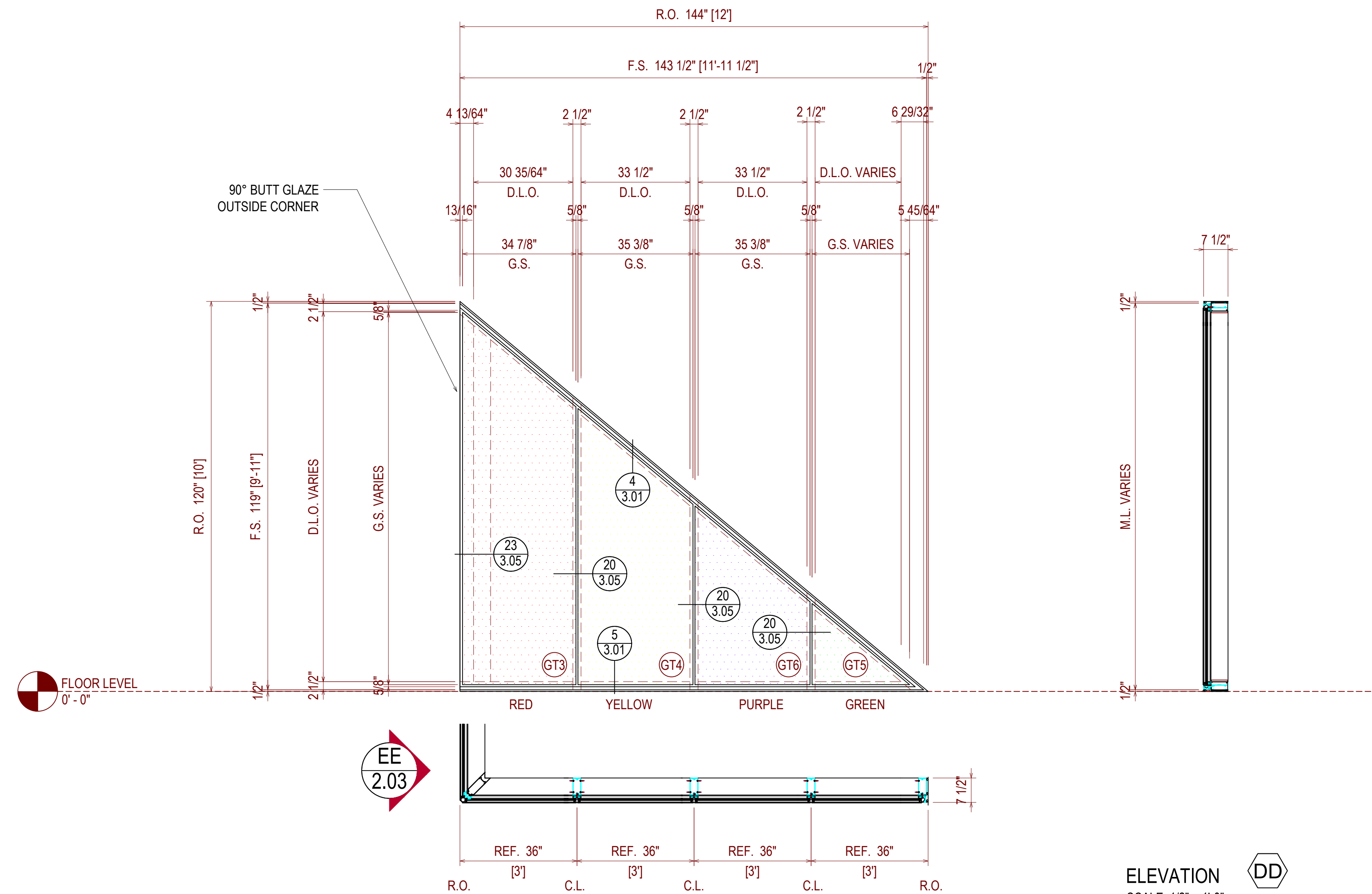
12.16.22	1ST SUBMISSION
04.21.23	1ST REVISION
06.07.23	2ND REVISION(ENGINEERING)
	NO
	DESCRIPTION
	DATE
	DRAWING SUBMISSION

THE THEUT COMPANY, LLC
 P.O. BOX 894
 1317 BUSINESS 71 N
 COLUMBUS, TX 78934
 P: 979.732.2201

PROJECT: DR. SHANNON WALKER
 NEIGHBORHOOD LIBRARY

LOCATION: 5505 BELROSE DRIVE
 HOUSTON, TX 77035

DRAWN BY:	DATE:
CW	12.16.22
CHECKED BY:	DATE:
ST	12.16.22



ELEVATION DD
 SCALE: 1/2" = 1'-0"
 KAWNEER CLEAR WALL - 2 1/2" X 7 1/2"
 EXTERIOR CURTAINWALL
 1 3/16" INSULATED LAMINATED GLASS (FRONT SET)
 QUANTITY: 1

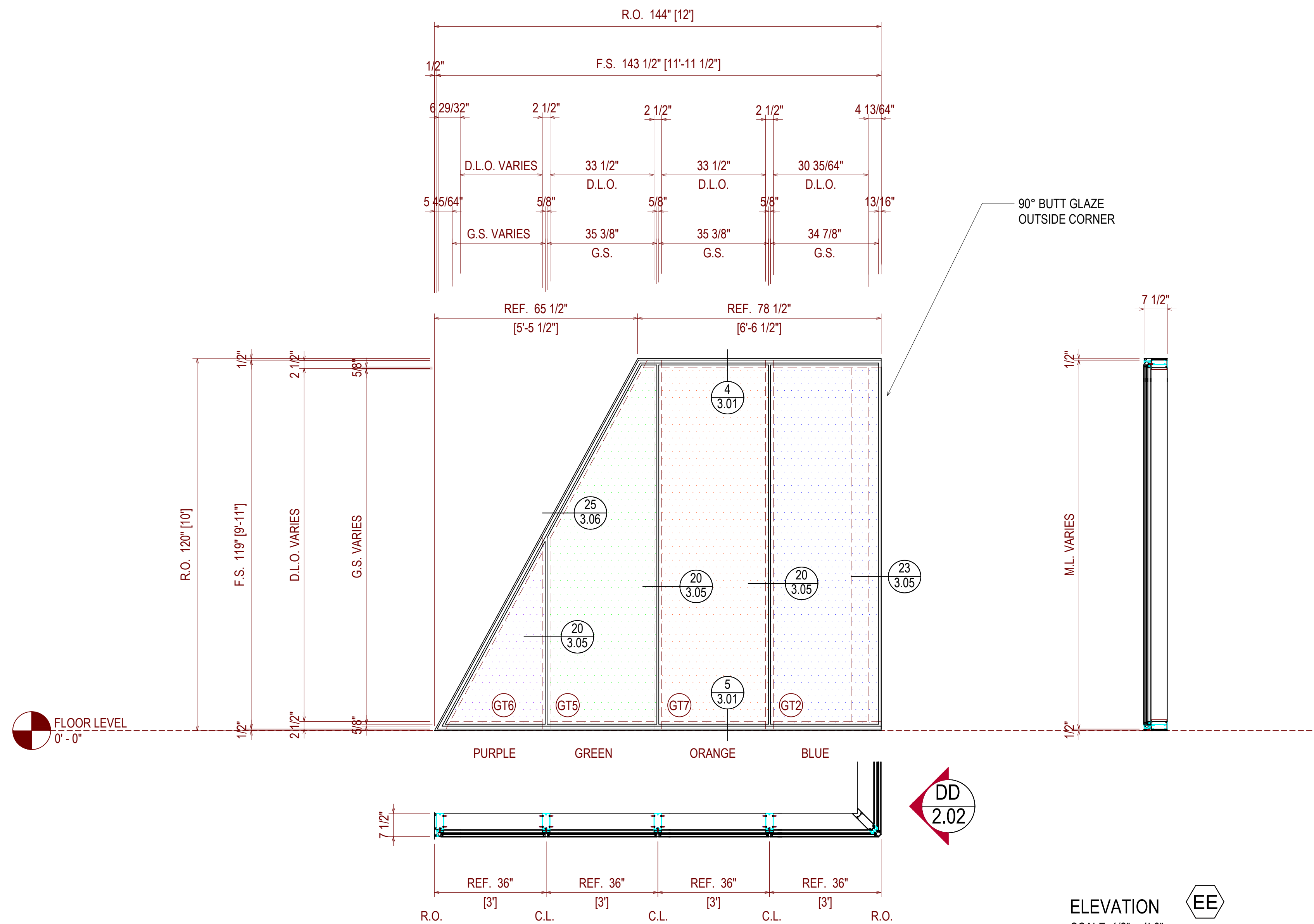
12.16.22	1ST SUBMISSION
04.21.23	1ST REVISION
06.07.23	2ND REVISION(ENGINEERING)
	NO
	DESCRIPTION
	DATE
	DRAWING SUBMISSION

THE THEUT COMPANY, LLC
 P.O. BOX 894
 1317 BUSINESS 71 N
 COLUMBUS, TX 78934
 P: 979.732.2201

PROJECT: DR. SHANNON WALKER
 NEIGHBORHOOD LIBRARY
 LOCATION: 5505 BELROSE DRIVE
 HOUSTON, TX 77035

DRAWN BY:	DATE:
CW	12.16.22
CHECKED BY:	DATE:
ST	12.16.22

ERECTOR / G.C. NOTE:
 PLEASE FIELD VERIFY ALL DIMENSIONS



ELEVATION EE
 SCALE: 1/2" = 1'-0"
 KAWNEER CLEAR WALL - 2 1/2" X 7 1/2"
 EXTERIOR CURTAINWALL
 1 3/16" INSULATED LAMINATED GLASS (FRONT SET)
 QUANTITY: 1

12.16.22	1ST SUBMISSION
04.21.23	1ST REVISION
06.01.23	2ND REVISION(ENGINEERING)
	NO
	DESCRIPTION
	DATE
	DRAWING SUBMISSION

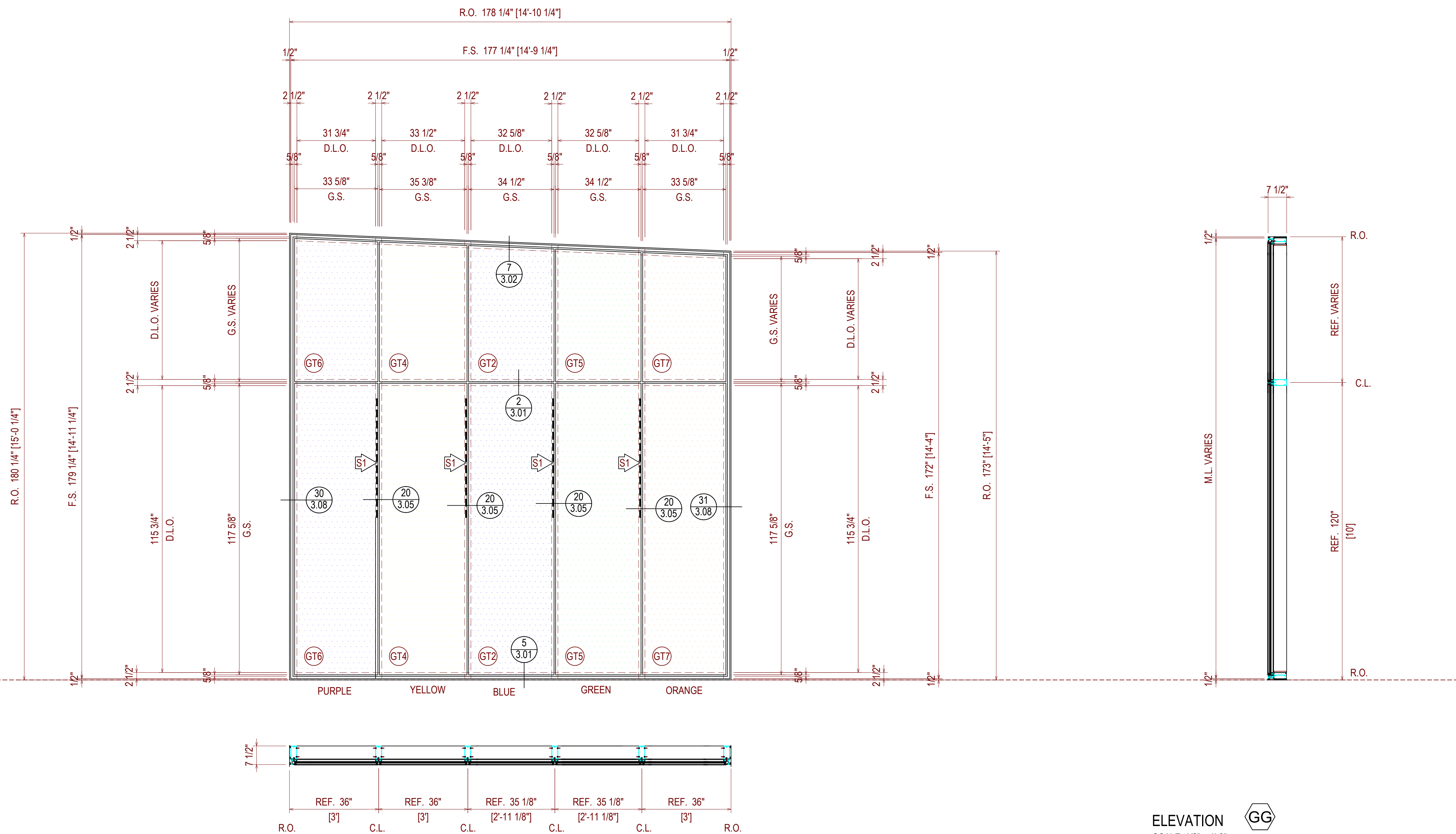
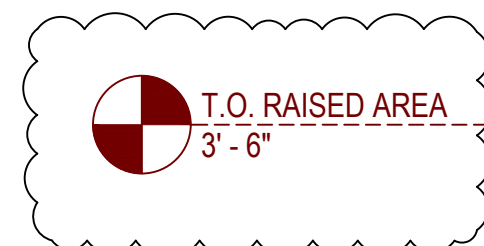
THE THEUT COMPANY, LLC
 P.O. BOX 894
 1317 BUSINESS 71 N
 COLUMBUS, TX 78934
 P: 979.732.2201

PROJECT: DR. SHANNON WALKER
 NEIGHBORHOOD LIBRARY

LOCATION: 5505 BELROSE DRIVE
 HOUSTON, TX 77035

DRAWN BY:	DATE:
CW	12.16.22
CHECKED BY:	DATE:
ST	12.16.22

ERECTOR / G.C. NOTE:
 PLEASE FIELD VERIFY ALL DIMENSIONS



172-003/172-004 MULLION WITH 1/2" X 4" STEEL BAR (4'-0" LENGTH)
 LOCATED 65" TO 113" FROM THE BOTTOM OF THE MULLION
 (IT DOES NOT MATTER WHICH SIDE OF THE MULLION THAT THE STEEL IS LOCATED)

ELEVATION
 SCALE: 1/2" = 1'-0"
 KAWNEER CLEAR WALL - 2 1/2" X 7 1/2"
 EXTERIOR CURTAINWALL
 1 3/16" INSULATED LAMINATED GLASS (FRONT SET)
 QUANTITY: 1

ERECTOR / G.C. NOTE:
 PLEASE FIELD VERIFY ALL DIMENSIONS

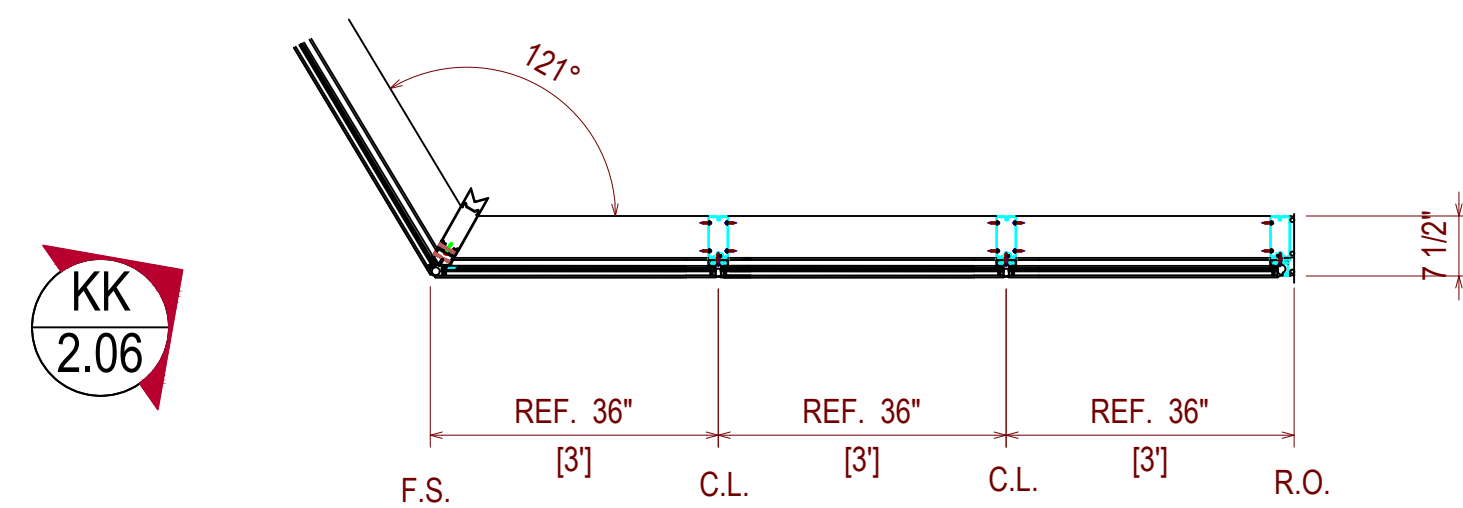
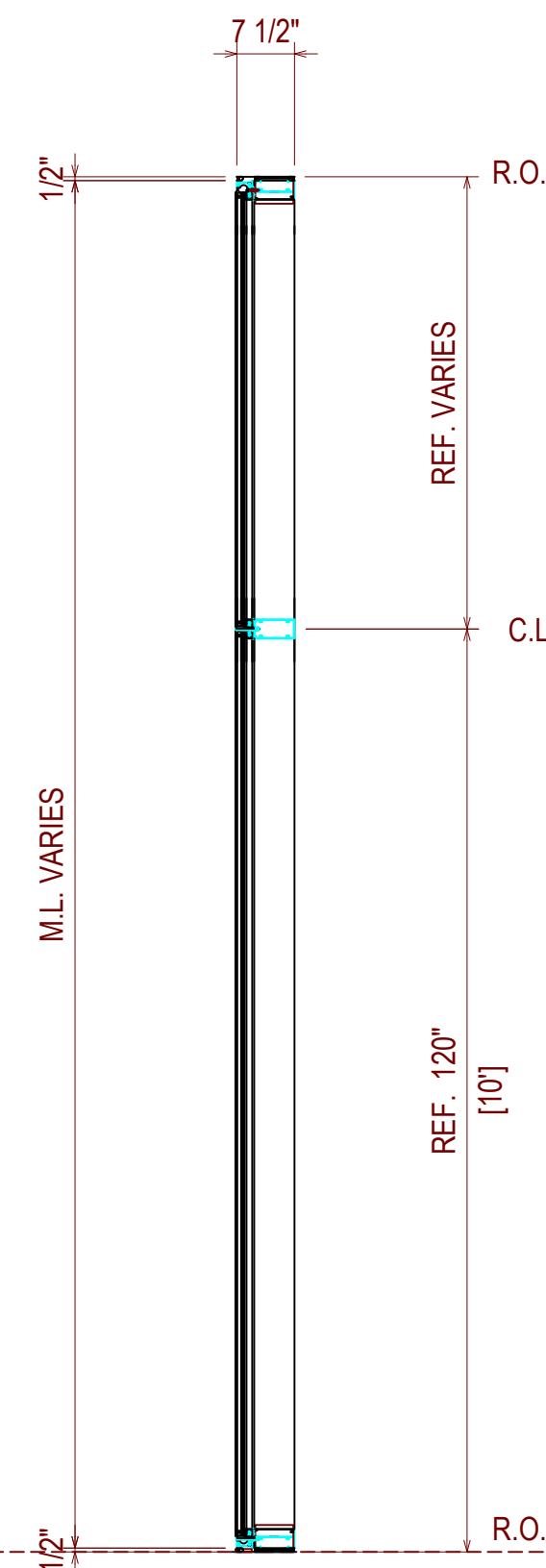
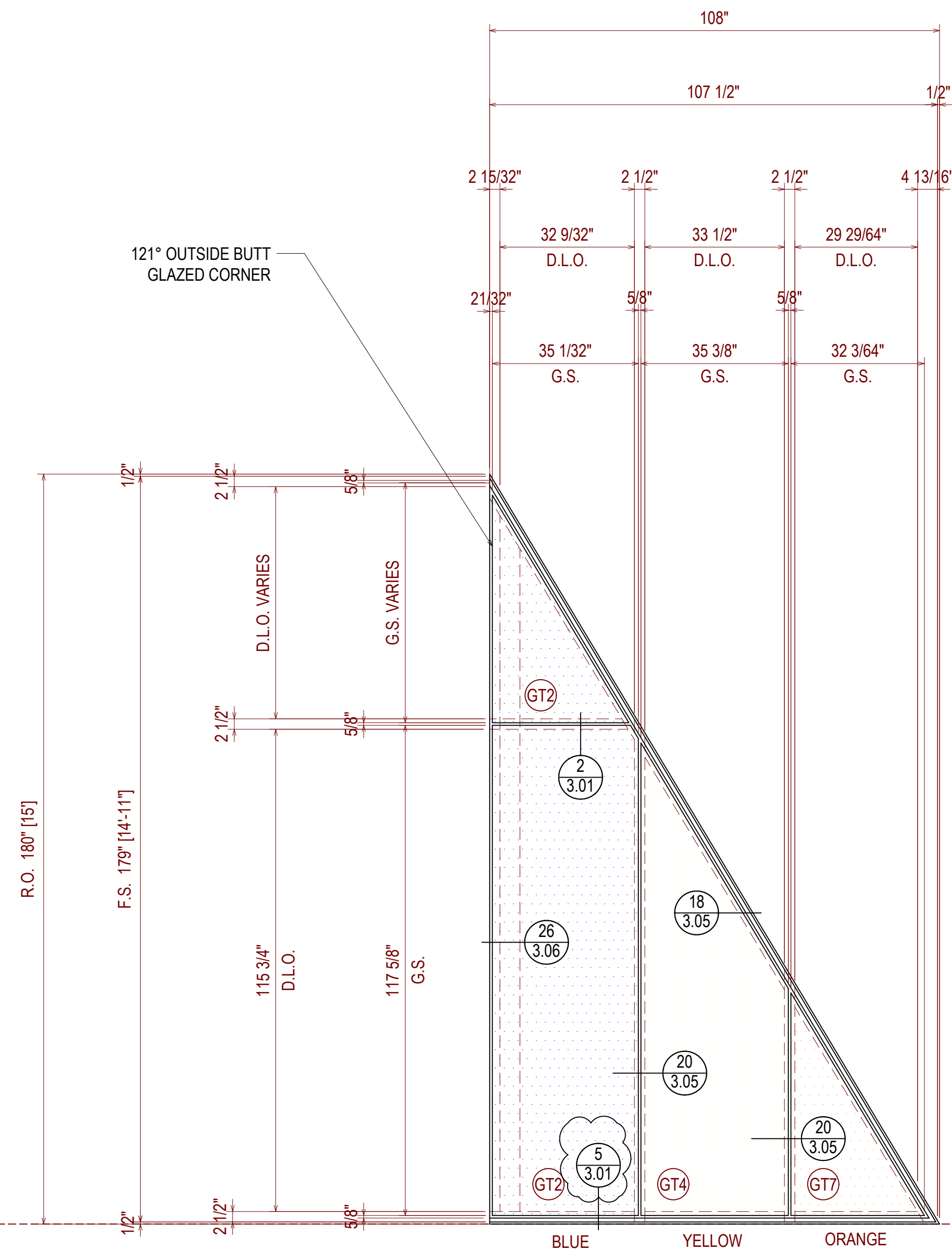
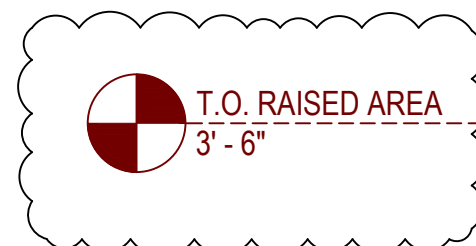
1ST SUBMISSION	12.16.22
1ST REVISION	04.21.23
2ND REVISION(ENGINEERING)	06.07.23
NO	DATE
DESCRIPTION	DRAWING SUBMISSION

THE THEUT COMPANY, LLC
 P.O. BOX 894
 1317 BUSINESS 71 N
 COLUMBUS, TX 78934
 P: 979.732.2201

PROJECT: DR. SHANNON WALKER
 NEIGHBORHOOD LIBRARY

LOCATION: 5505 BELROSE DRIVE
 HOUSTON, TX 77035

DRAWN BY:	DATE:
CW	12.16.22
CHECKED BY:	DATE:
ST	12.16.22



ELEVATION JJ
 SCALE: 1/2" = 1'-0"
 KAWNEER CLEAR WALL - 2 1/2" X 7 1/2"
 EXTERIOR CURTAINWALL
 1 3/16" INSULATED LAMINATED GLASS (FRONT SET)
 QUANTITY: 1

1ST SUBMISSION	12.16.22
1ST REVISION	04.21.23
2ND REVISION(ENGINEERING)	06.01.23
NO	DATE
DESCRIPTION	DRAWING SUBMISSION

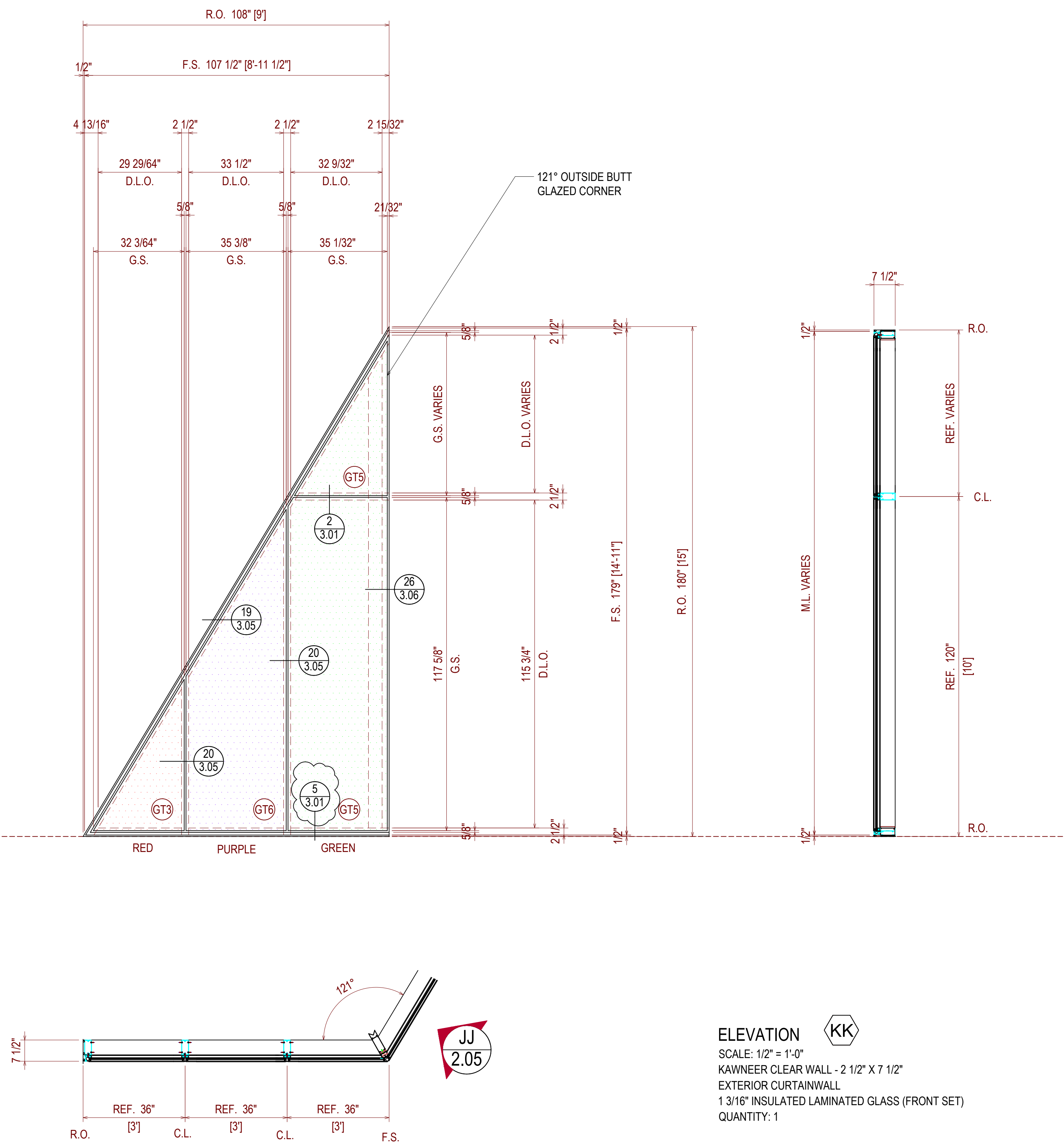
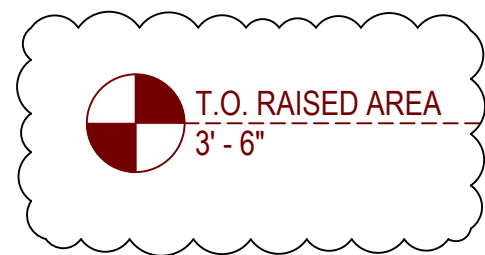
THE THEUT COMPANY, LLC
 P.O. BOX 894
 1317 BUSINESS 71 N
 COLUMBUS, TX 78934
 P: 979.732.2201

PROJECT: DR. SHANNON WALKER
 NEIGHBORHOOD LIBRARY

LOCATION: 5505 BELROSE DRIVE
 HOUSTON, TX 77035

DRAWN BY:	DATE:
CW	12.16.22
CHECKED BY:	DATE:
ST	12.16.22

ERECTOR / G.C. NOTE:
 PLEASE FIELD VERIFY ALL DIMENSIONS



ELEVATION
 SCALE: 1/2" = 1'-0"
 KAWNEER CLEAR WALL - 2 1/2" X 7 1/2"
 EXTERIOR CURTAINWALL
 1 3/16" INSULATED LAMINATED GLASS (FRONT SET)
 QUANTITY: 1

ERECTOR / G.C. NOTE:
 PLEASE FIELD VERIFY ALL DIMENSIONS

12.16.22	1ST SUBMISSION
04.21.23	1ST REVISION
06.01.23	2ND REVISION(ENGINEERING)
	NO
	DESCRIPTION
	DATE
	DRAWING SUBMISSION

THE THEUT COMPANY, LLC
 P.O. BOX 894
 1317 BUSINESS 71 N
 COLUMBUS, TX 78934
 P: 979.732.2201

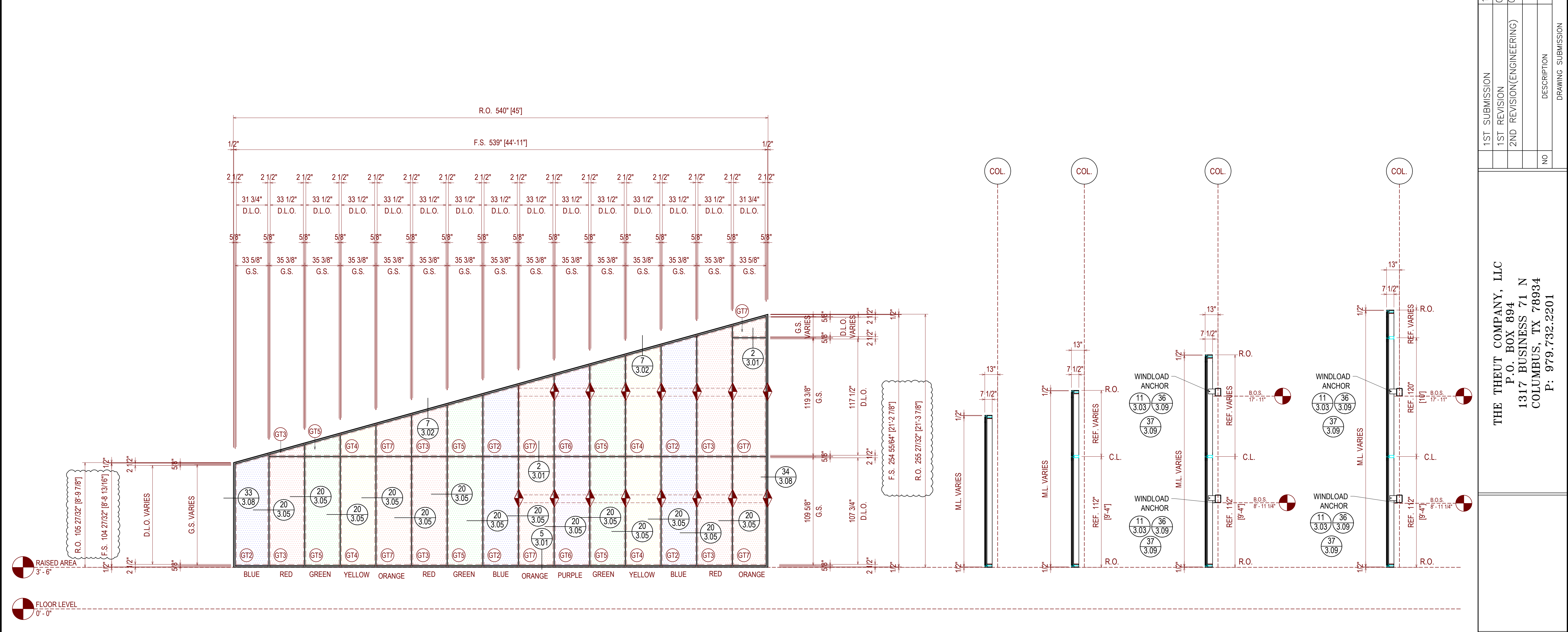
PROJECT: DR. SHANNON WALKER
 NEIGHBORHOOD LIBRARY

LOCATION: 5505 BELROSE DRIVE
 HOUSTON, TX 77035

DRAWN BY:	DATE:
CW	12.16.22
CHECKED BY:	DATE:
ST	12.16.22

2.06

12.16.22	1ST SUBMISSION
04.21.23	1ST REVISION
06.07.23	2ND REVISION(ENGINEERING)
	NO
	DESCRIPTION
	DATE
	DRAWING SUBMISSION



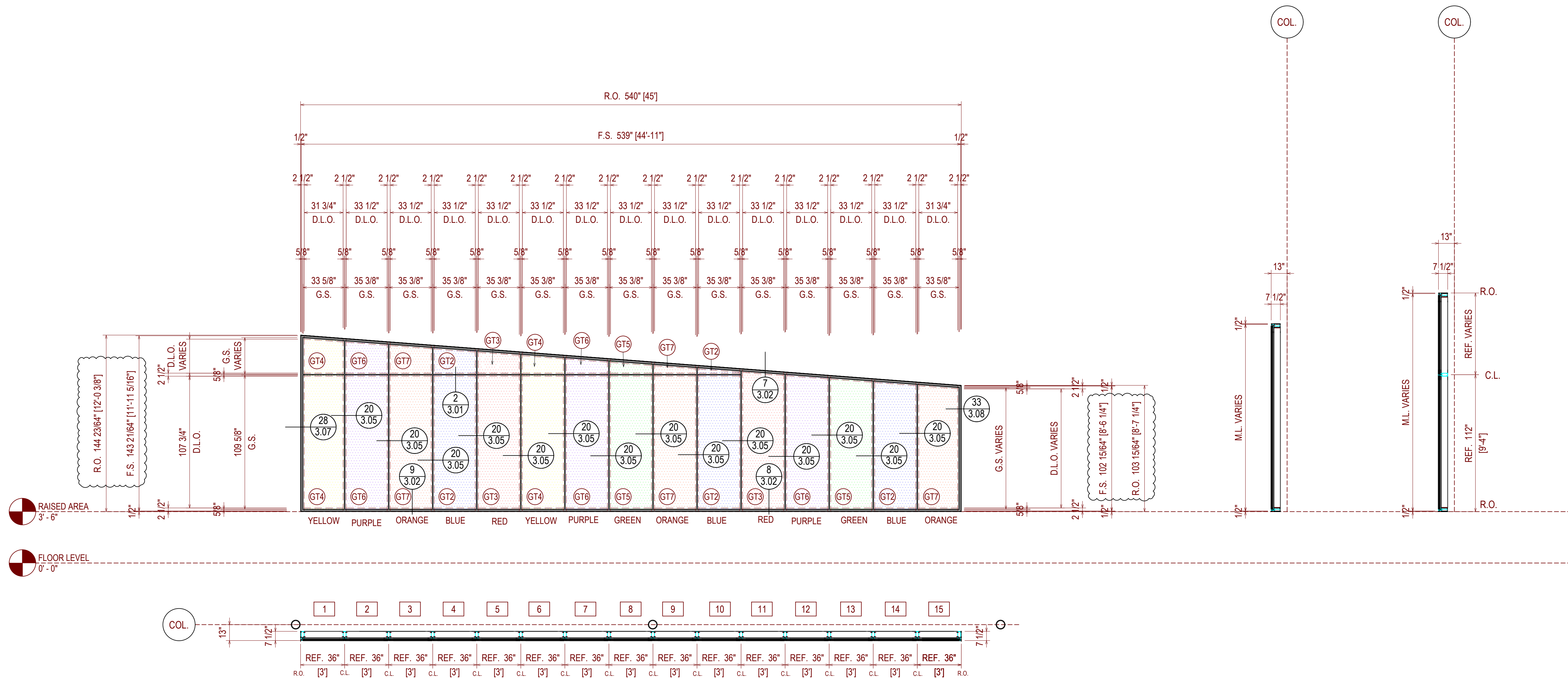
THE THEUT COMPANY, LLC
P.O. BOX 894
1317 BUSINESS 71 N
COLUMBUS, TX 78934
P: 979.732.2201

PROJECT: DR. SHANNON WALKER
NEIGHBORHOOD LIBRARY
LOCATION: 5505 BELROSE DRIVE
HOUSTON, TX 77035

ELEVATION LL
SCALE: 1/4" = 1'-0"
KAWNEER CLEAR WALL - 2 1/2" X 7 1/2"
EXTERIOR CURTAINWALL
1 3/16" INSULATED LAMINATED GLASS (FRONT SET)
QUANTITY: 1

DRAWN BY:	DATE:
CW	12.16.22
CHECKED BY:	DATE:
ST	12.16.22

ERECTOR / G.C. NOTE:
PLEASE FIELD VERIFY ALL DIMENSIONS



ELEVATION **MM**
 SCALE: 1/4" = 1'-0"
 KAWNEER CLEAR WALL - 2 1/2" X 7 1/2"
 EXTERIOR CURTAINWALL
 1 3/16" INSULATED LAMINATED GLASS (FRONT SET)
 QUANTITY: 1

ERECTOR / G.C. NOTE:
 PLEASE FIELD VERIFY ALL DIMENSIONS

1ST SUBMISSION	12.16.22
1ST REVISION	04.21.23
2ND REVISION(ENGINEERING)	06.07.23
NO	DATE
DRAWING SUBMISSION	

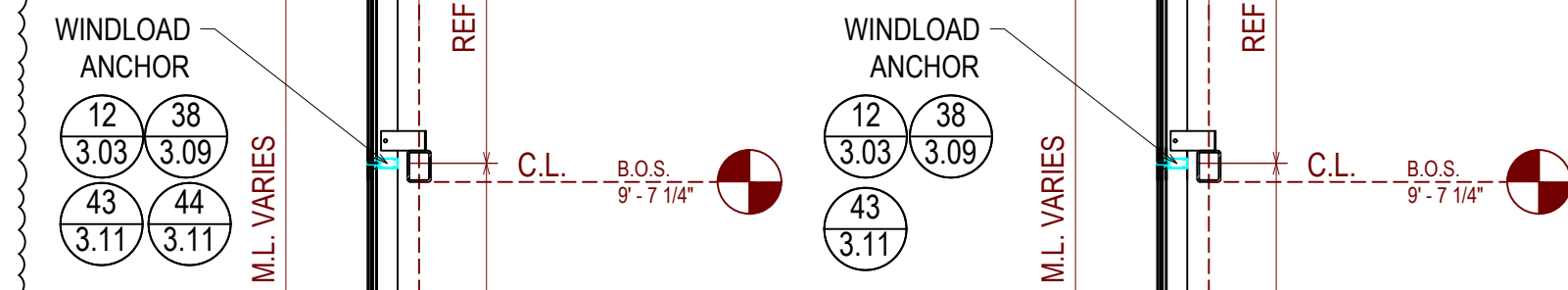
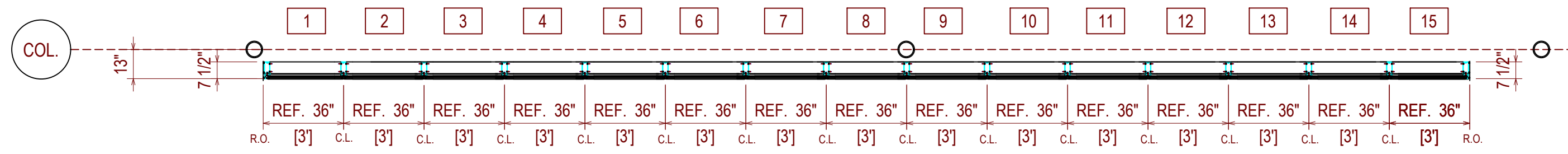
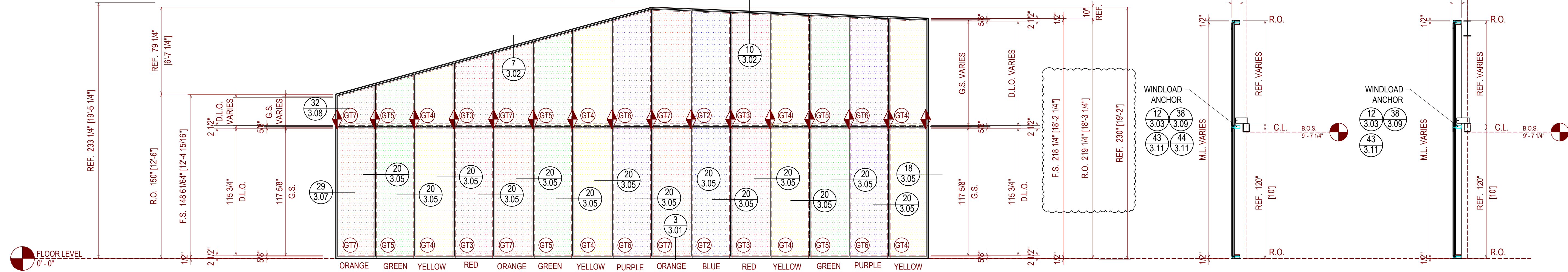
THE THEUT COMPANY, LLC
 P.O. BOX 894
 1317 BUSINESS 71 N
 COLUMBUS, TX 78934
 P: 979.732.2201

PROJECT: DR. SHANNON WALKER
 NEIGHBORHOOD LIBRARY

LOCATION: 5505 BELROSE DRIVE
 HOUSTON, TX 77035

DRAWN BY:	DATE:
CW	12.16.22
CHECKED BY:	DATE:
ST	12.16.22

R.O. 540" [45']															
F.S. 539" [44'-11"]															
1/2"														1/2"	
2 1/2"	2 1/2"	2 1/2"	2 1/2"	2 1/2"	2 1/2"	2 1/2"	2 1/2"	2 1/2"	2 1/2"	2 1/2"	2 1/2"	2 1/2"	2 1/2"	2 1/2"	2 1/2"
31 3/4"	33 1/2"	33 1/2"	33 1/2"	33 1/2"	33 1/2"	33 1/2"	33 1/2"	33 1/2"	33 1/2"	33 1/2"	33 1/2"	33 1/2"	33 1/2"	31 3/4"	
D.L.O.	D.L.O.	D.L.O.	D.L.O.	D.L.O.	D.L.O.	D.L.O.	D.L.O.	D.L.O.	D.L.O.	D.L.O.	D.L.O.	D.L.O.	D.L.O.	D.L.O.	
5 8"	5 8"	5 8"	5 8"	5 8"	5 8"	5 8"	5 8"	5 8"	5 8"	5 8"	5 8"	5 8"	5 8"	5 8"	
33 5/8"	35 3/8"	35 3/8"	35 3/8"	35 3/8"	35 3/8"	35 3/8"	35 3/8"	35 3/8"	35 3/8"	35 3/8"	35 3/8"	35 3/8"	35 3/8"	33 5/8"	
G.S.	G.S.	G.S.	G.S.	G.S.	G.S.	G.S.	G.S.	G.S.	G.S.	G.S.	G.S.	G.S.	G.S.	G.S.	



ELEVATION

SCALE: 1/4" = 1'-0"

KAWNEER CLEAR WALL - 2 1/2" X 7 1/2"

EXTERIOR CURTAINWALL

1 3/16" INSULATED LAMINATED GLASS (FRONT SET)

QUANTITY: 1

ERECTOR / G.C. NOTE:
PLEASE FIELD VERIFY ALL DIMENSIONS

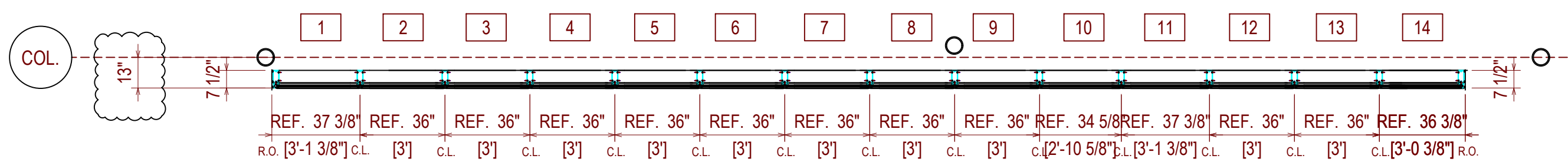
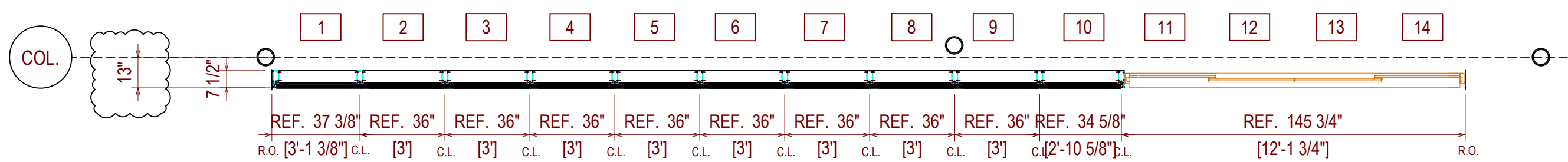
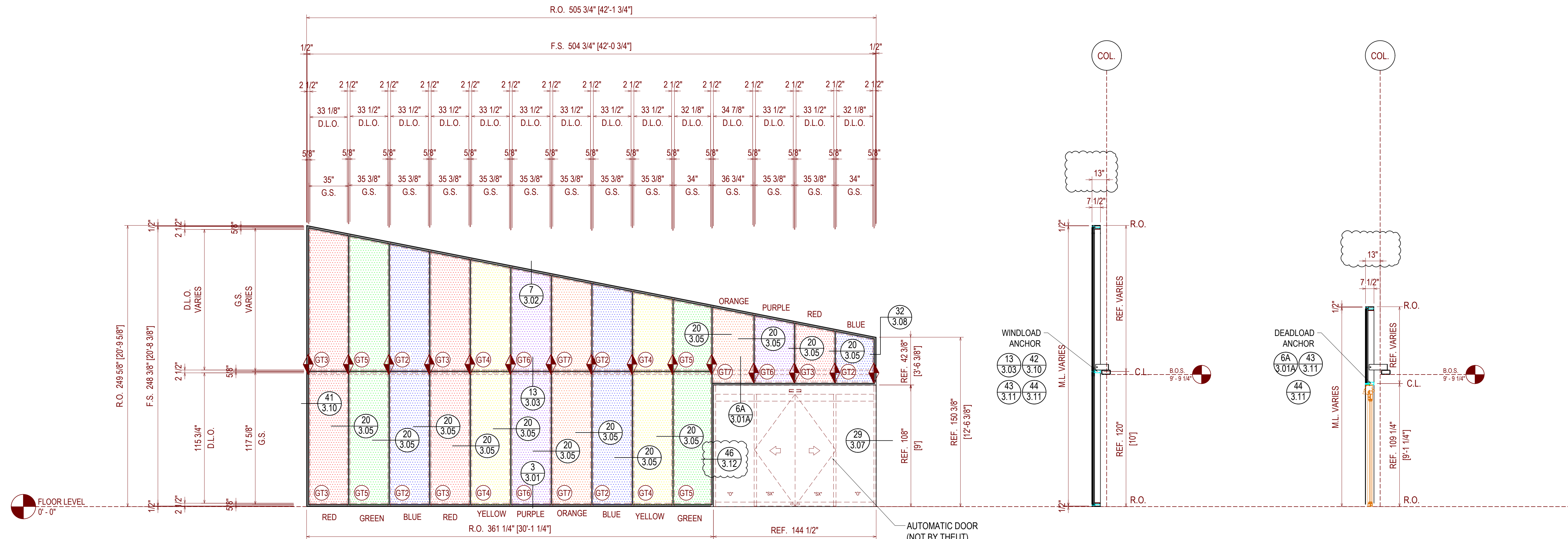
12.16.22	1ST SUBMISSION
04.21.23	1ST REVISION
06.01.23	2ND REVISION(ENGINEERING)
NO	DESCRIPTION
	DATE
	DRAWING SUBMISSION

THE THEUT COMPANY, LLC
P.O. BOX 894
1317 BUSINESS 71 N
COLUMBUS, TX 78934
P: 979.732.2201

PROJECT: DR. SHANNON WALKER
NEIGHBORHOOD LIBRARY

LOCATION: 5505 BELROSE DRIVE
HOUSTON, TX 77035

DRAWN BY:	DATE:
CW	12.16.22
CHECKED BY:	DATE:
ST	12.16.22



ELEVATION RR
 SCALE: 1/4" = 1'-0"
 KAWNEER CLEAR WALL - 2 1/2" X 7 1/2"
 EXTERIOR CURTAINWALL
 1 3/16" INSULATED LAMINATED GLASS (FRONT SET)
 QUANTITY: 1

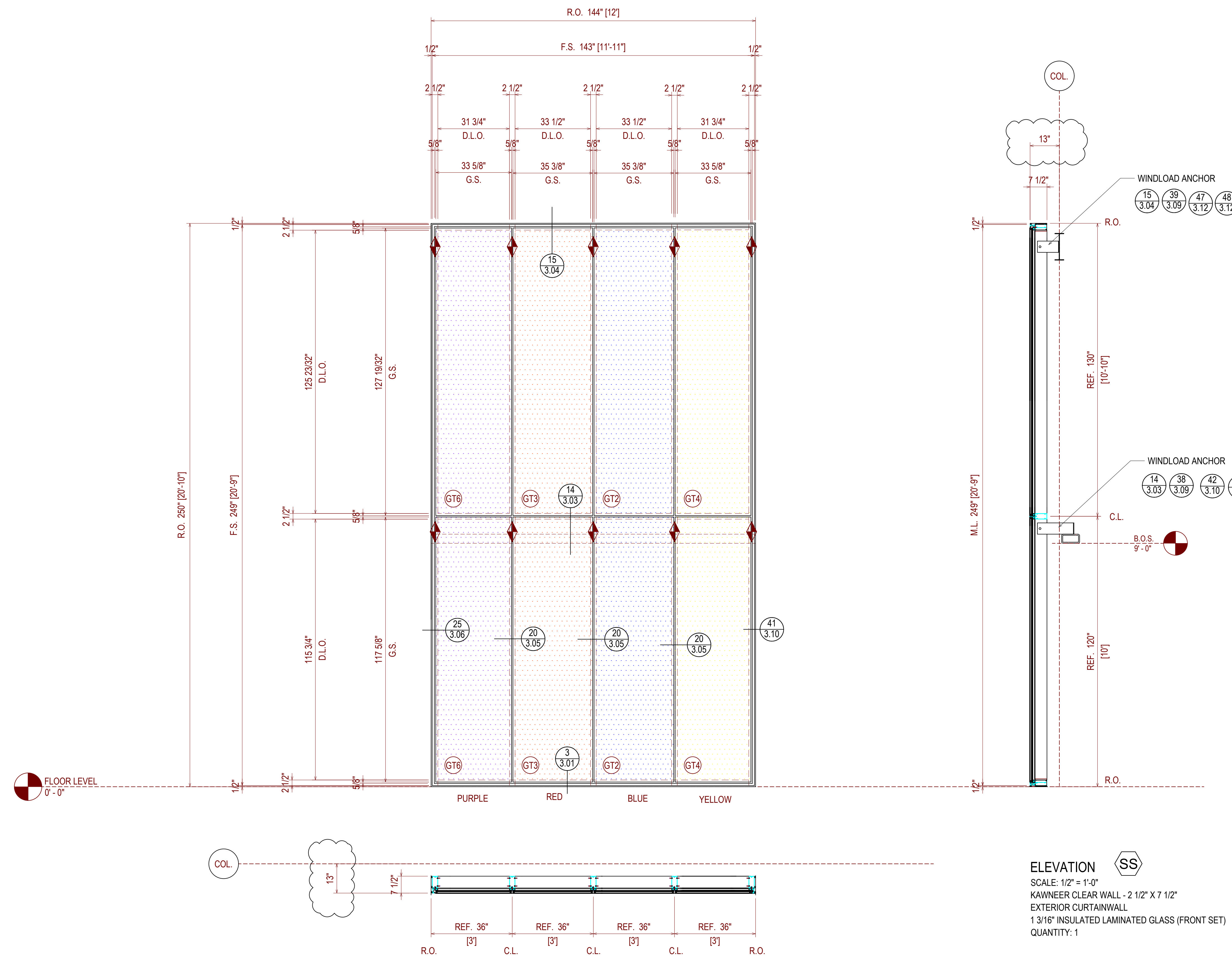
ERECTOR / G.C. NOTE:
 PLEASE FIELD VERIFY ALL DIMENSIONS

12.16.22	1ST SUBMISSION
04.21.23	1ST REVISION
06.07.23	2ND REVISION(ENGINEERING)
NO	DESCRIPTION
DATE	DRAWING SUBMISSION

THE THEUT COMPANY, LLC
 P.O. BOX 894
 1317 BUSINESS 71 N
 COLUMBUS, TX 78934
 P: 979.732.2201

PROJECT: DR. SHANNON WALKER
 NEIGHBORHOOD LIBRARY
LOCATION: 5505 BELROSE DRIVE
 HOUSTON, TX 77035

12.16.22	DATE
CW	DRAWN BY:
12.16.22	DATE
ST	CHECKED BY:



ELEVATION SS
 SCALE: 1/2" = 1'-0"
 KAWNEER CLEAR WALL - 2 1/2" X 7 1/2"
 EXTERIOR CURTAINWALL
 1 3/16" INSULATED LAMINATED GLASS (FRONT SET)
 QUANTITY: 1

12.16.22	1ST SUBMISSION
04.21.23	1ST REVISION
06.01.23	2ND REVISION(ENGINEERING)
	NO
	DESCRIPTION
	DATE
	DRAWING SUBMISSION

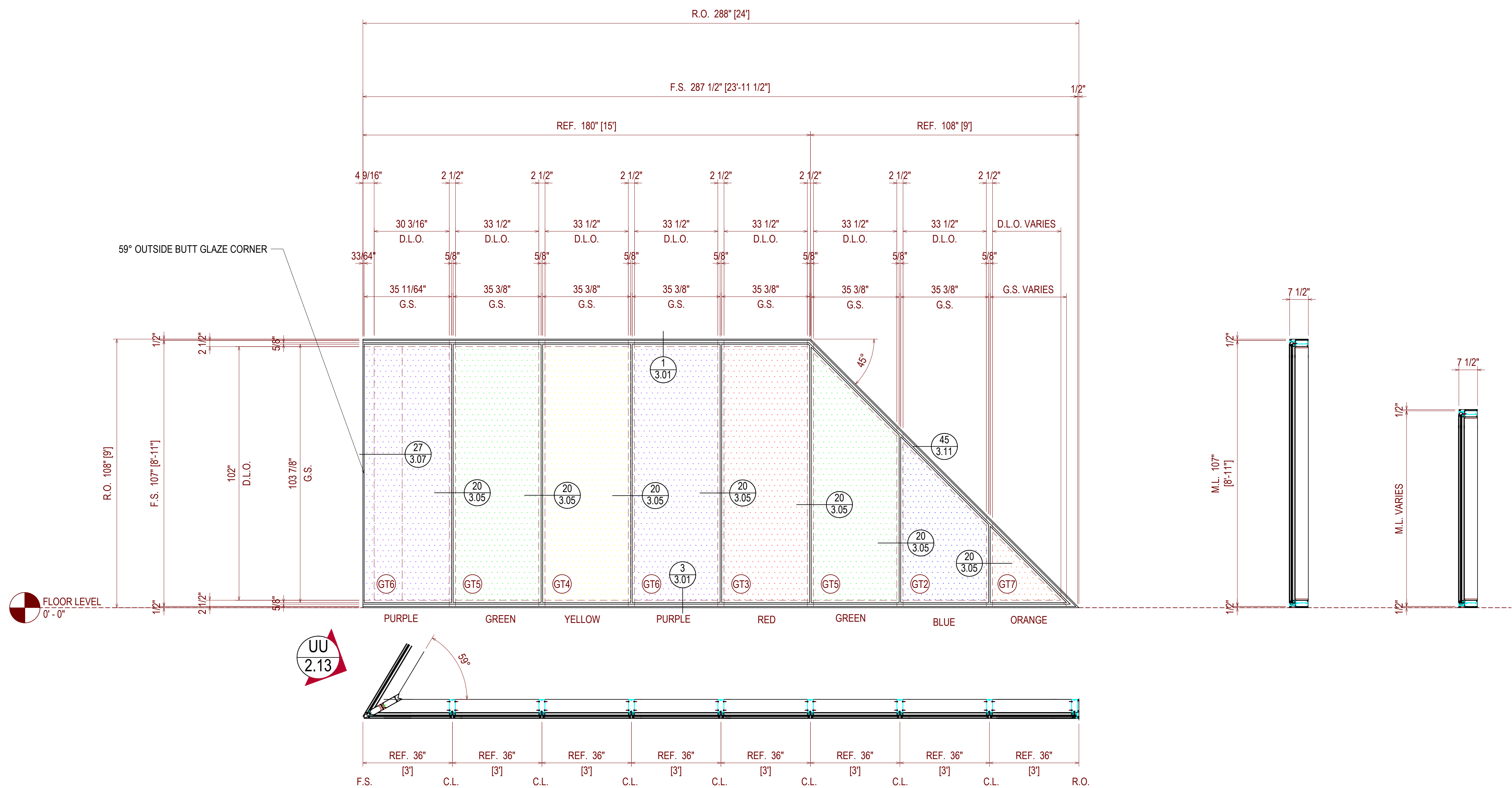
THE THEUT COMPANY, LLC
 P.O. BOX 894
 1317 BUSINESS 71 N
 COLUMBUS, TX 78934
 P: 979.732.2201

PROJECT: DR. SHANNON WALKER
 NEIGHBORHOOD LIBRARY

LOCATION: 5505 BELROSE DRIVE
 HOUSTON, TX 77035

DRAWN BY:	DATE:
CW	12.16.22
CHECKED BY:	DATE:
ST	12.16.22

ERECTOR / G.C. NOTE:
 PLEASE FIELD VERIFY ALL DIMENSIONS



ELEVATION TT
 SCALE: 1/2" = 1'-0"
 KAWNEER CLEAR WALL - 2 1/2" X 7 1/2"
 EXTERIOR CURTAINWALL
 1 3/16" INSULATED LAMINATED GLASS (FRONT SET)
 QUANTITY: 1

ERECTOR / G.C. NOTE:
 PLEASE FIELD VERIFY ALL DIMENSIONS

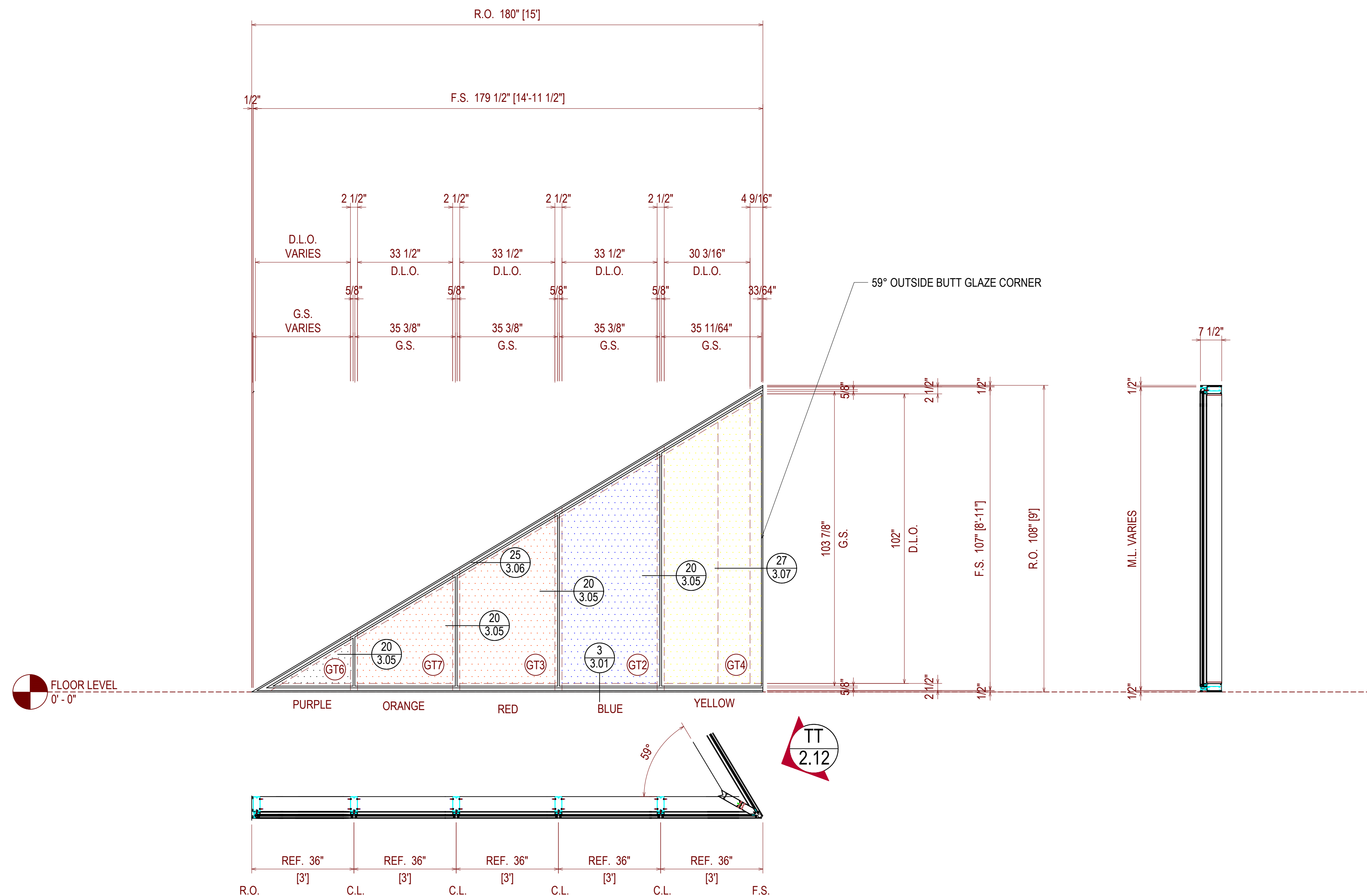
12.16.22	1ST SUBMISSION
04.21.23	1ST REVISION
06.07.23	2ND REVISION(ENGINEERING)
	NO
	DESCRIPTION
	DATE
	DRAWING SUBMISSION

THE THEUT COMPANY, LLC
 P.O. BOX 894
 1317 BUSINESS 71 N
 COLUMBUS, TX 78934
 P: 979.732.2201

PROJECT: DR. SHANNON WALKER
 NEIGHBORHOOD LIBRARY

LOCATION: 5505 BELROSE DRIVE
 HOUSTON, TX 77035

DRAWN BY:	DATE:
CW	12.16.22
CHECKED BY:	DATE:
ST	12.16.22



ELEVATION UU
 SCALE: 1/2" = 1'-0"
 KAWNEER CLEAR WALL - 2 1/2" X 7 1/2"
 EXTERIOR CURTAINWALL
 1 3/16" INSULATED LAMINATED GLASS (FRONT SET)
 QUANTITY: 1

12.16.22	1ST SUBMISSION
04.21.23	1ST REVISION
06.07.23	2ND REVISION(ENGINEERING)
	NO
	DESCRIPTION
	DATE
	DRAWING SUBMISSION

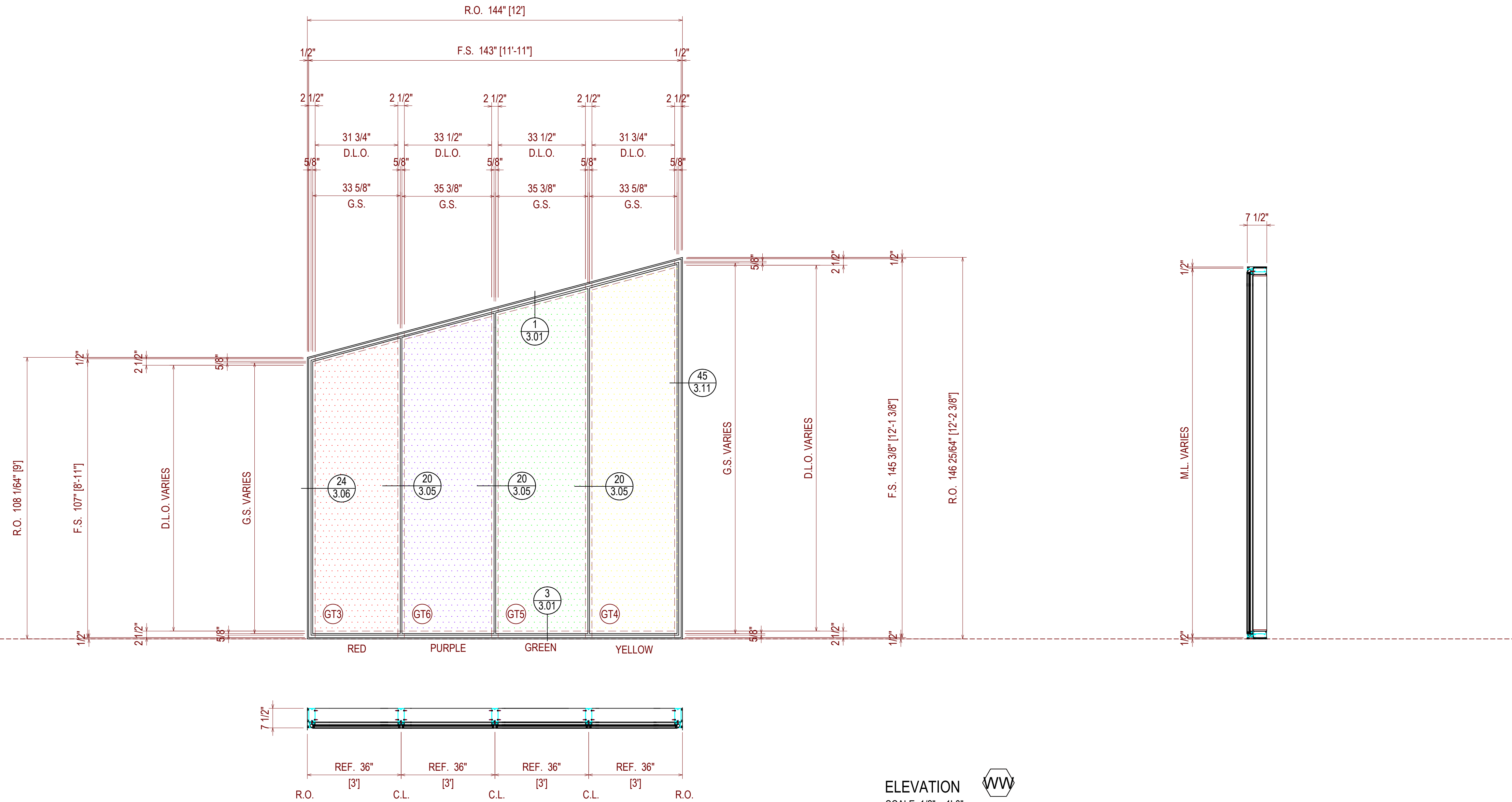
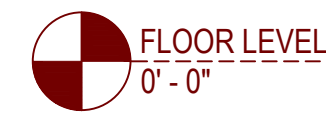
THE THEUT COMPANY, LLC
 P.O. BOX 894
 1317 BUSINESS 71 N
 COLUMBUS, TX 78934
 P: 979.732.2201

PROJECT: DR. SHANNON WALKER
 NEIGHBORHOOD LIBRARY

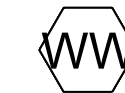
LOCATION: 5505 BELROSE DRIVE
 HOUSTON, TX 77035

DRAWN BY: CW	DATE: 12.16.22
CHECKED BY: ST	DATE: 12.16.22

ERECTOR / G.C. NOTE:
 PLEASE FIELD VERIFY ALL DIMENSIONS



ELEVATION



SCALE: 1/2" = 1'-0"
 KAWNEER CLEAR WALL - 2 1/2" X 7 1/2"
 EXTERIOR CURTAINWALL
 1 3/16" INSULATED LAMINATED GLASS (FRONT SET)
 QUANTITY: 1

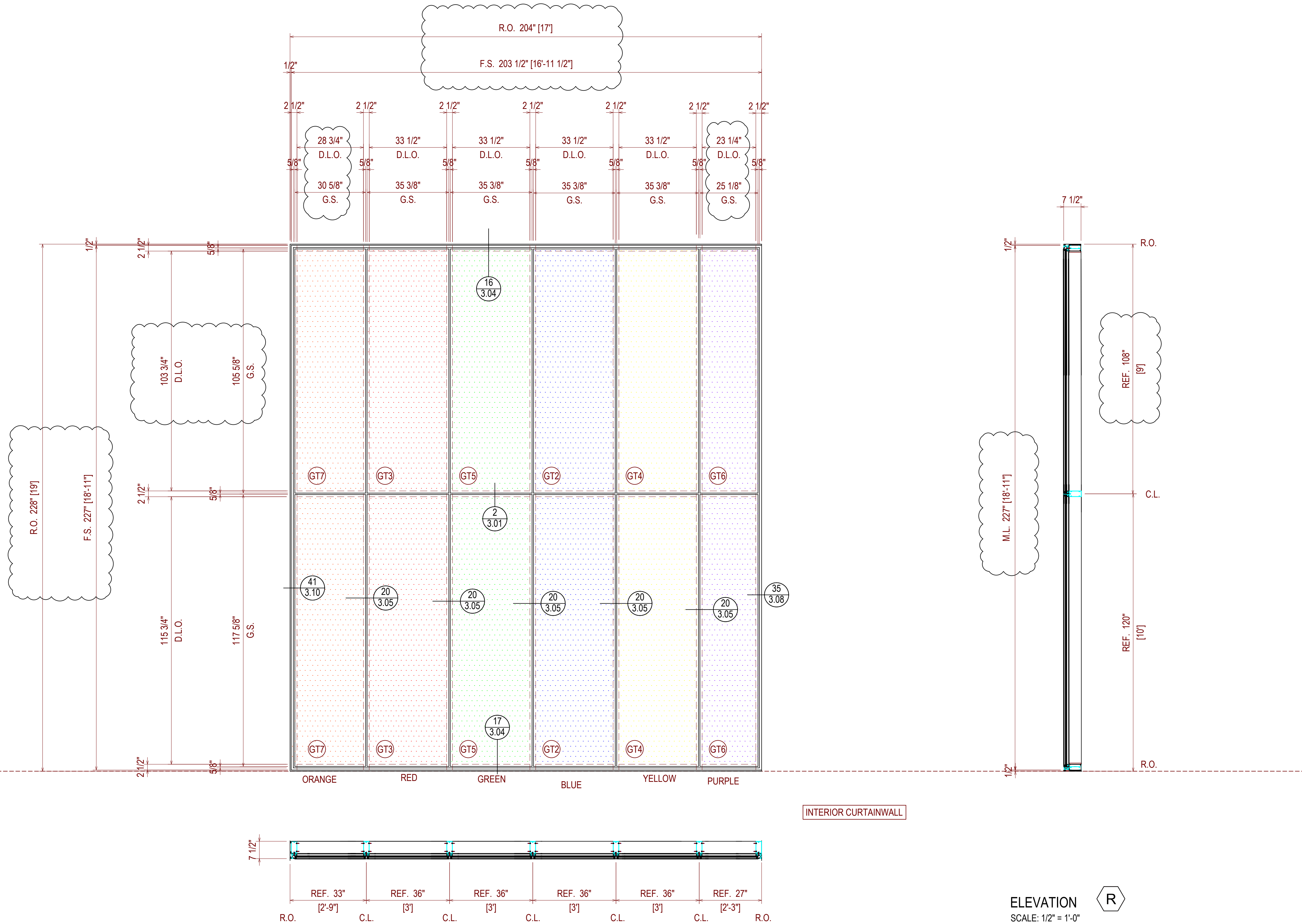
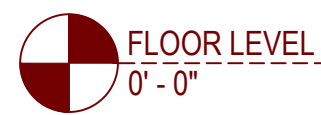
ERECTOR / G.C. NOTE:
 PLEASE FIELD VERIFY ALL DIMENSIONS

1ST SUBMISSION	12.16.22
1ST REVISION	04.21.23
2ND REVISION(ENGINEERING)	06.07.23
NO	DATE
DRAWING SUBMISSION	

THE THEUT COMPANY, LLC
 P.O. BOX 894
 1317 BUSINESS 71 N
 COLUMBUS, TX 78934
 P: 979.732.2201

PROJECT: DR. SHANNON WALKER
 NEIGHBORHOOD LIBRARY
 LOCATION: 5505 BELROSE DRIVE
 HOUSTON, TX 77035

DRAWN BY:	DATE:
CW	12.16.22
CHECKED BY:	DATE:
ST	12.16.22



INTERIOR CURTAINWALL

ELEVATION R
 SCALE: 1/2" = 1'-0"
 KAWNEER CLEAR WALL - 2 1/2" X 7 1/2"
 INTERIOR CURTAINWALL
 1 3/16" INSULATED LAMINATED GLASS (FRONT SET)
 QUANTITY: 1

ERECTOR / G.C. NOTE:
 PLEASE FIELD VERIFY ALL DIMENSIONS

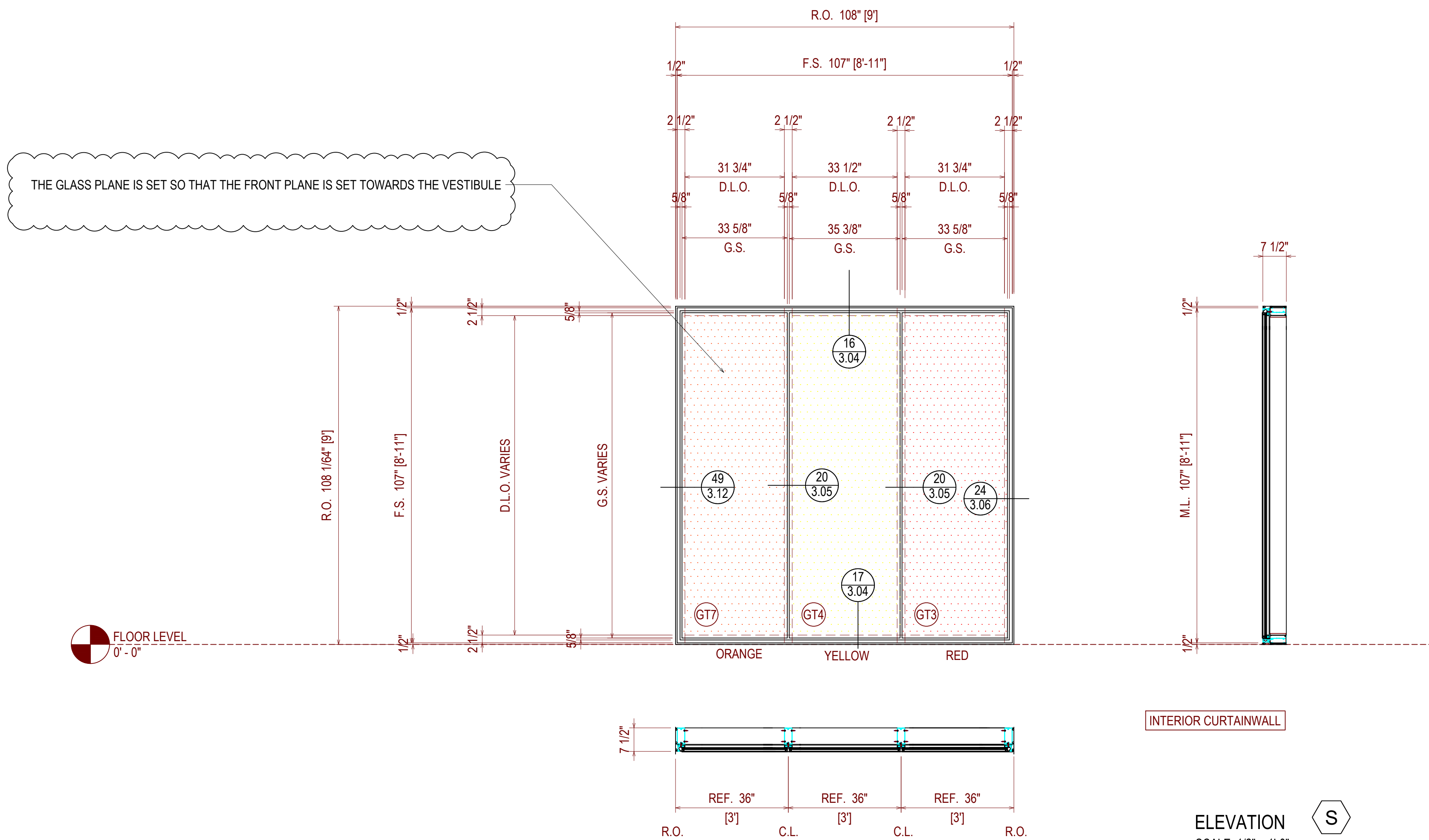
12.16.22	1ST SUBMISSION
04.21.23	1ST REVISION
06.07.23	2ND REVISION(ENGINEERING)
	NO
	DESCRIPTION
	DATE
	DRAWING SUBMISSION

THE THEUT COMPANY, LLC
 P.O. BOX 894
 1317 BUSINESS 71 N
 COLUMBUS, TX 78934
 P: 979.732.2201

PROJECT: DR. SHANNON WALKER
 NEIGHBORHOOD LIBRARY

LOCATION: 5505 BELROSE DRIVE
 HOUSTON, TX 77035

DRAWN BY: CW	DATE: 12.16.22
CHECKED BY: ST	DATE: 12.16.22



INTERIOR CURTAINWALL

ELEVATION S
 SCALE: 1/2" = 1'-0"
 KAWNEER CLEAR WALL - 2 1/2" X 7 1/2"
 INTERIOR CURTAINWALL
 1 3/16" INSULATED LAMINATED GLASS (FRONT SET)
 QUANTITY: 1

THE GLASS PLANE IS SET SO THAT THE FRONT PLANE IS SET TOWARDS THE VESTIBULE

12.16.22	1ST SUBMISSION
04.21.23	1ST REVISION
06.07.23	2ND REVISION(ENGINEERING)
	NO
	DESCRIPTION
	DATE
	DRAWING SUBMISSION

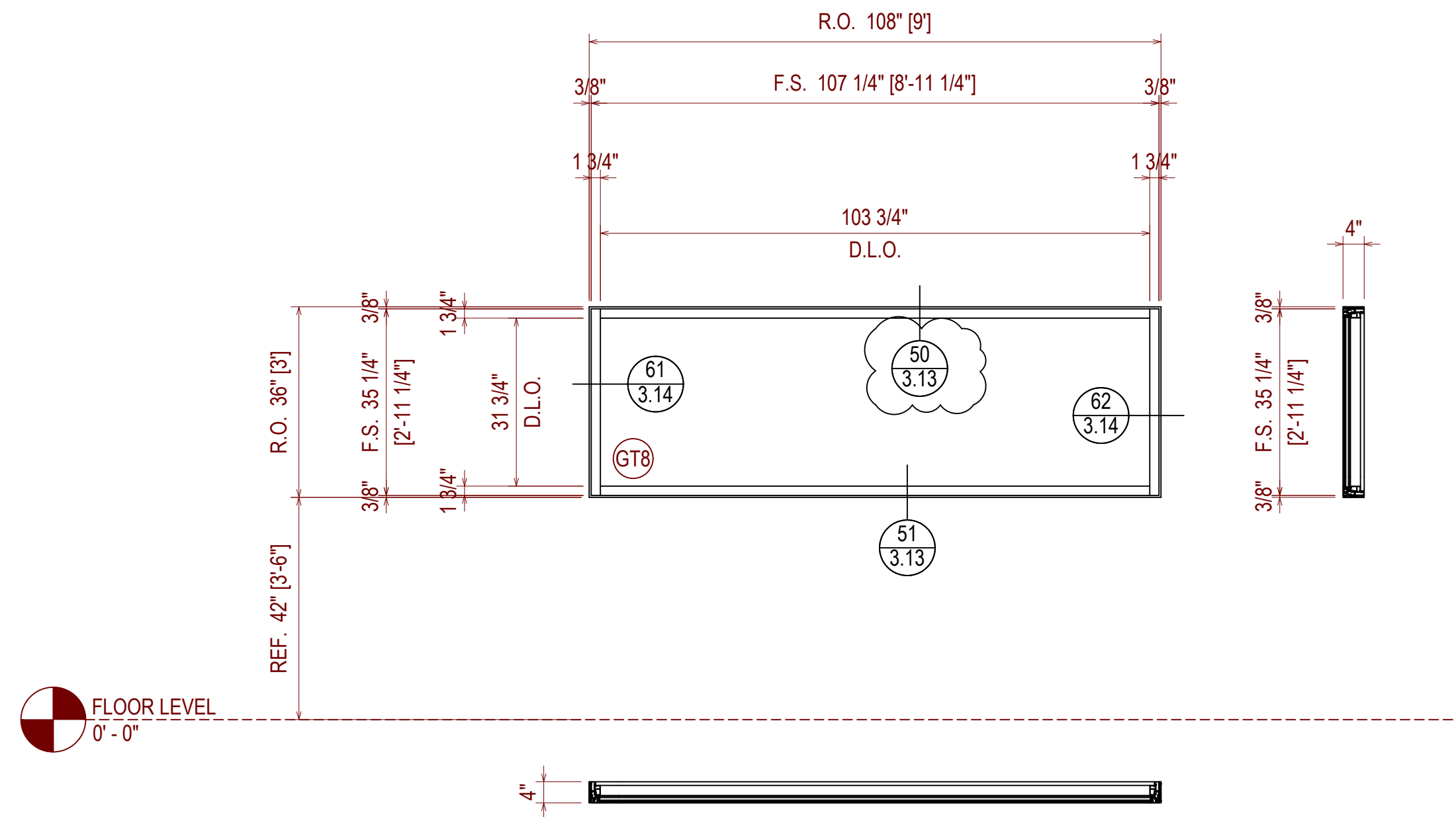
THE THEUT COMPANY, LLC
 P.O. BOX 894
 1317 BUSINESS 71 N
 COLUMBUS, TX 78934
 P: 979.732.2201

PROJECT: DR. SHANNON WALKER
 NEIGHBORHOOD LIBRARY

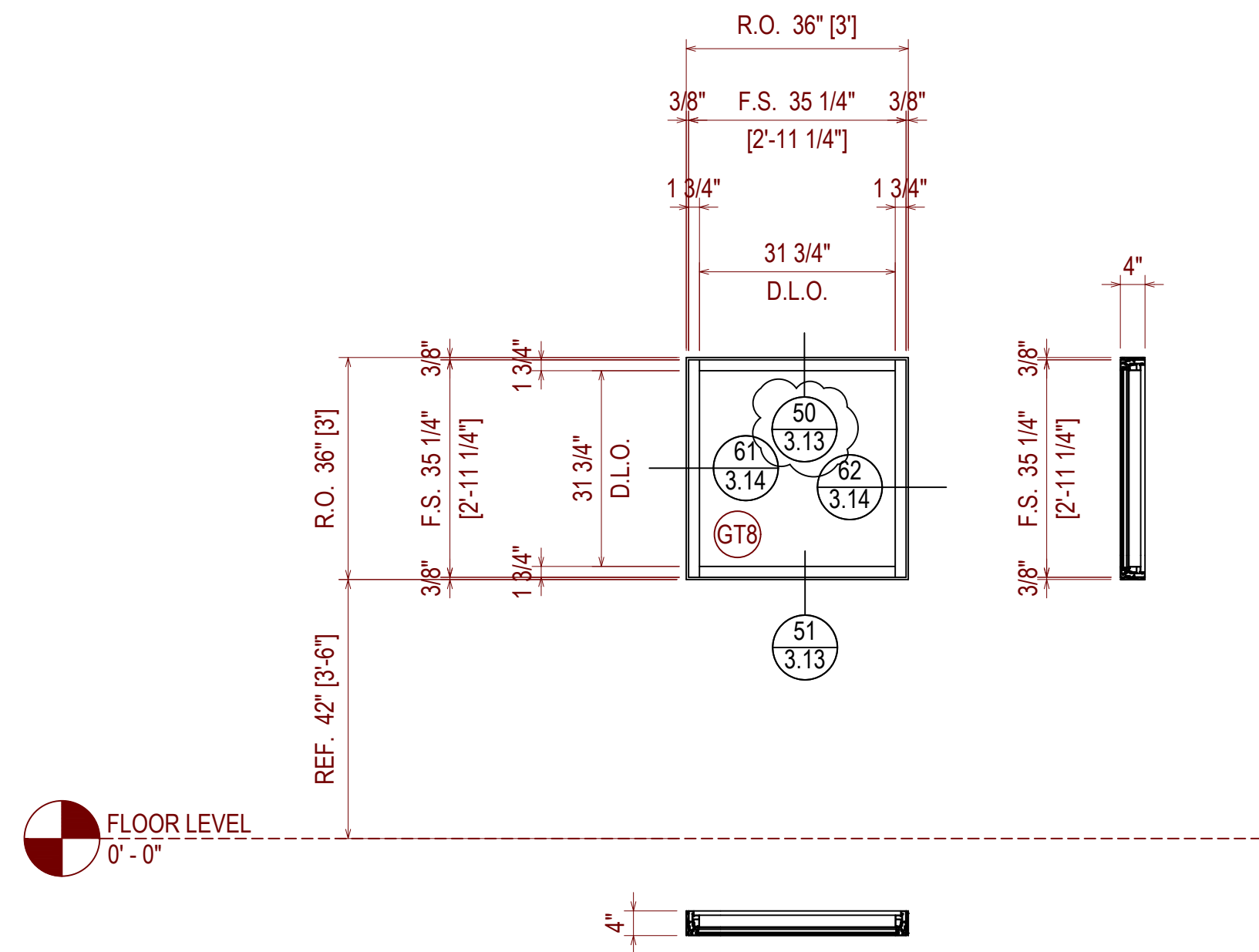
LOCATION: 5505 BELROSE DRIVE
 HOUSTON, TX 77035

DRAWN BY: CW	DATE: 12.16.22
CHECKED BY: ST	DATE: 12.16.22

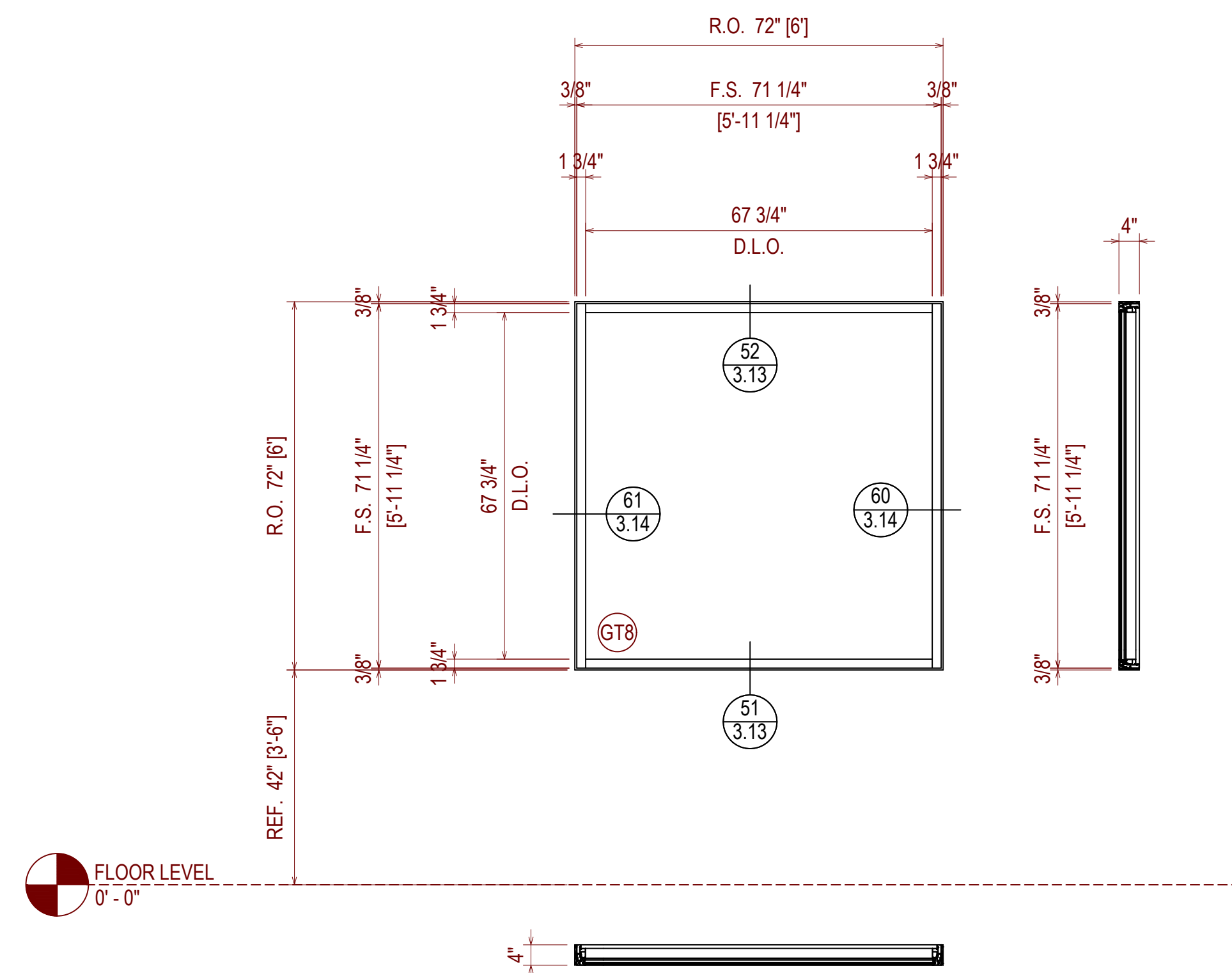
ERECTOR / G.C. NOTE:
 PLEASE FIELD VERIFY ALL DIMENSIONS



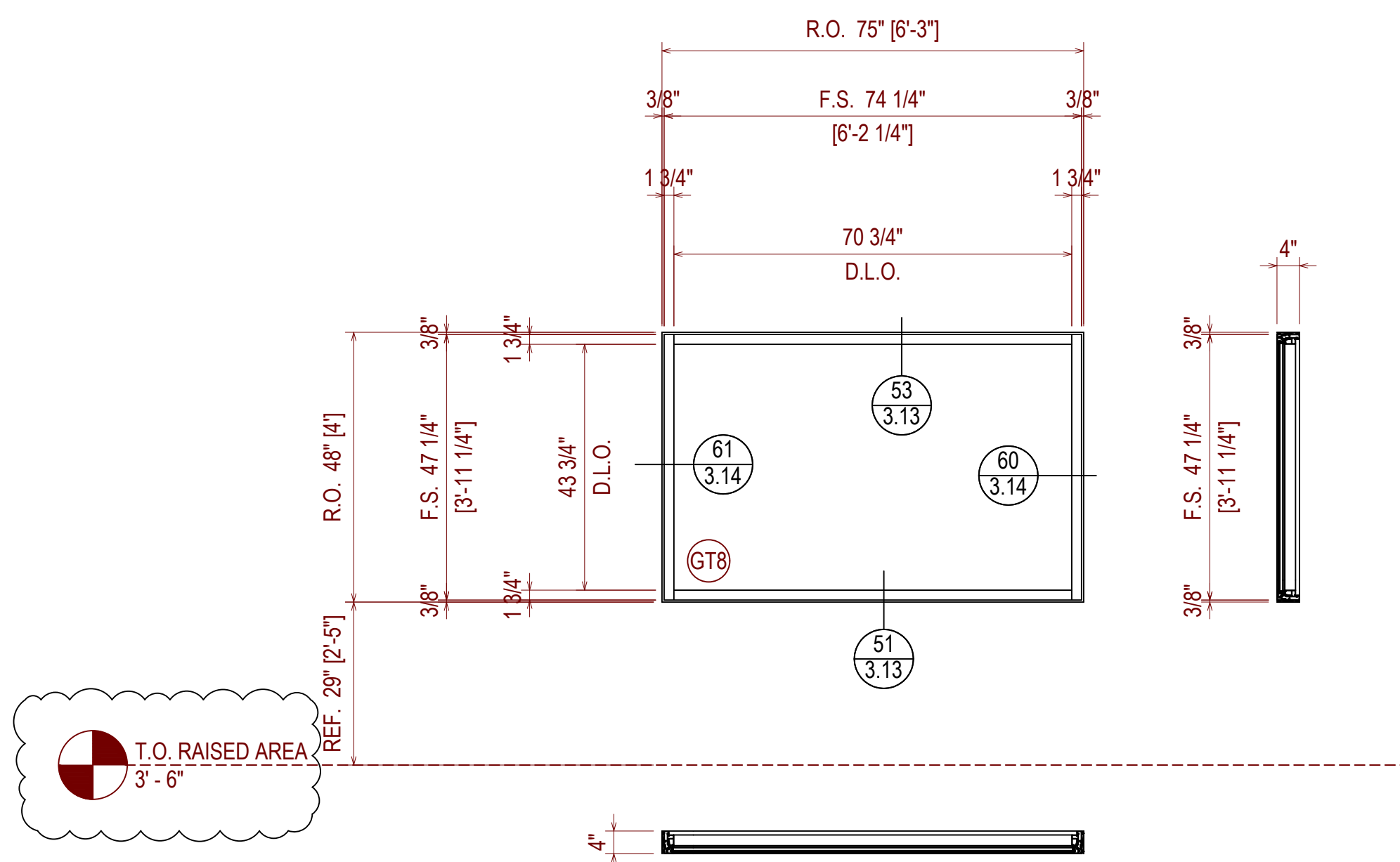
ELEVATION BB
 SCALE: 1/2" = 1'-0"
 KAWNEER AA SERIES 6400
 EXTERIOR WINDOW
 1" INSULATED GLASS (FRONT SET)
 QUANTITY: 1



ELEVATION CC
 SCALE: 1/2" = 1'-0"
 KAWNEER AA SERIES 6400
 EXTERIOR WINDOW
 1" INSULATED GLASS (FRONT SET)
 QUANTITY: 3



ELEVATION FF
 SCALE: 1/2" = 1'-0"
 KAWNEER AA SERIES 6400
 EXTERIOR WINDOW
 1" INSULATED GLASS (FRONT SET)
 QUANTITY: 1



ELEVATION HH
 SCALE: 1/2" = 1'-0"
 KAWNEER AA SERIES 6400
 EXTERIOR WINDOW
 1" INSULATED GLASS (FRONT SET)
 QUANTITY: 2

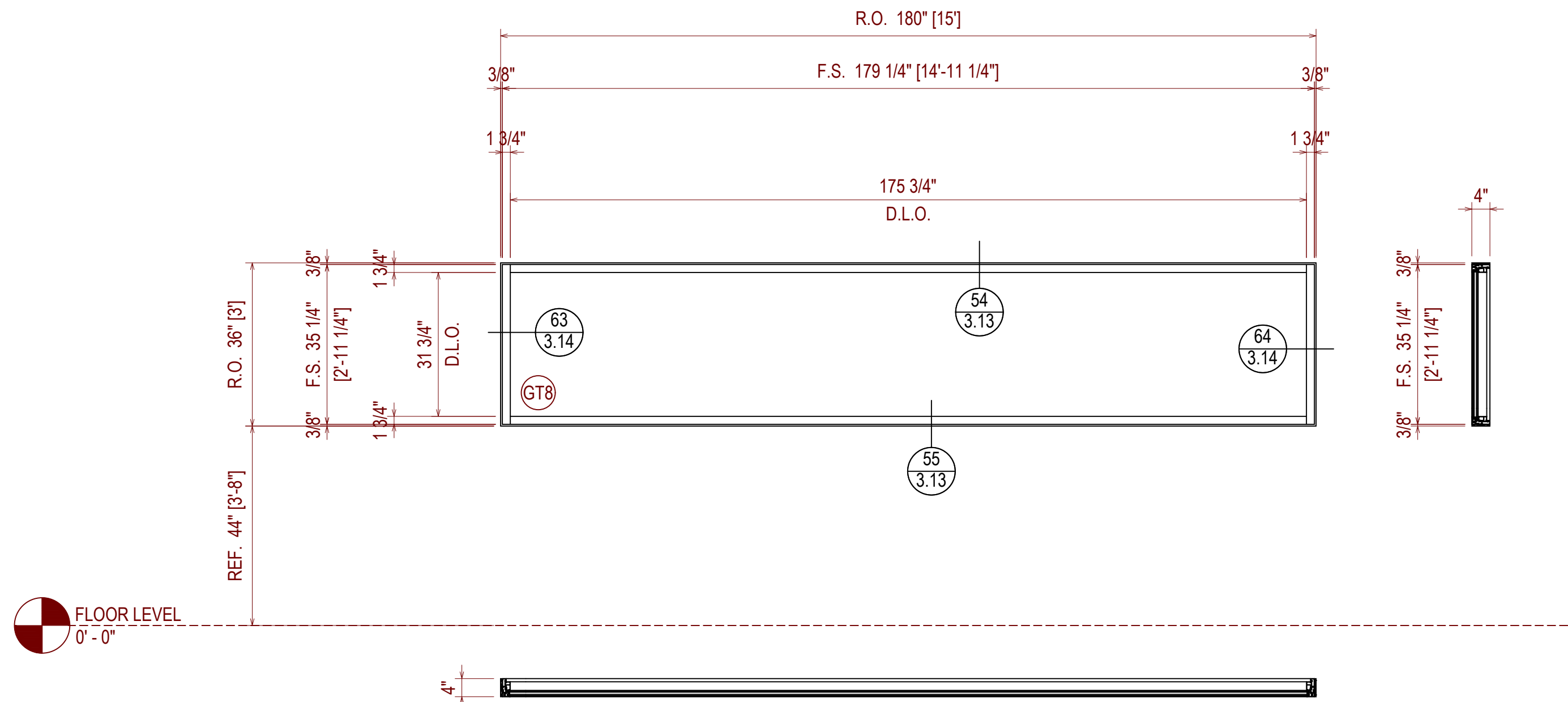
1ST SUBMISSION	12.16.22
1ST REVISION	04.21.23
2ND REVISION(ENGINEERING)	06.07.23
NO	DATE
DESCRIPTION	DRAWING SUBMISSION

THE THEUT COMPANY, LLC
 P.O. BOX 894
 1317 BUSINESS 71 N
 COLUMBUS, TX 78934
 P: 979.732.2201

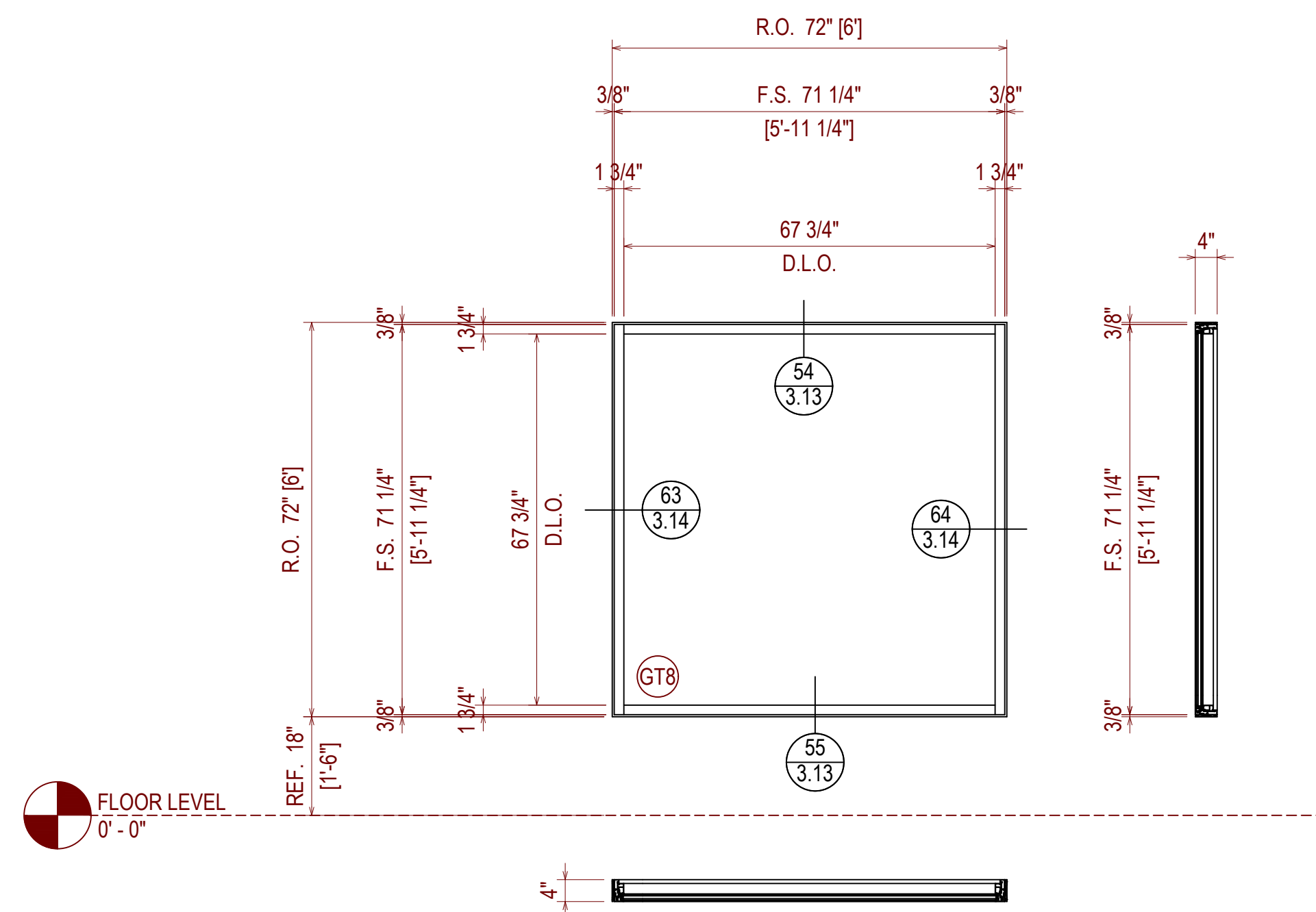
PROJECT: DR. SHANNON WALKER
 NEIGHBORHOOD LIBRARY
 LOCATION: 5505 BELROSE DRIVE
 HOUSTON, TX 77035

DRAWN BY: CW	DATE: 12.16.22
CHECKED BY: ST	DATE: 12.16.22

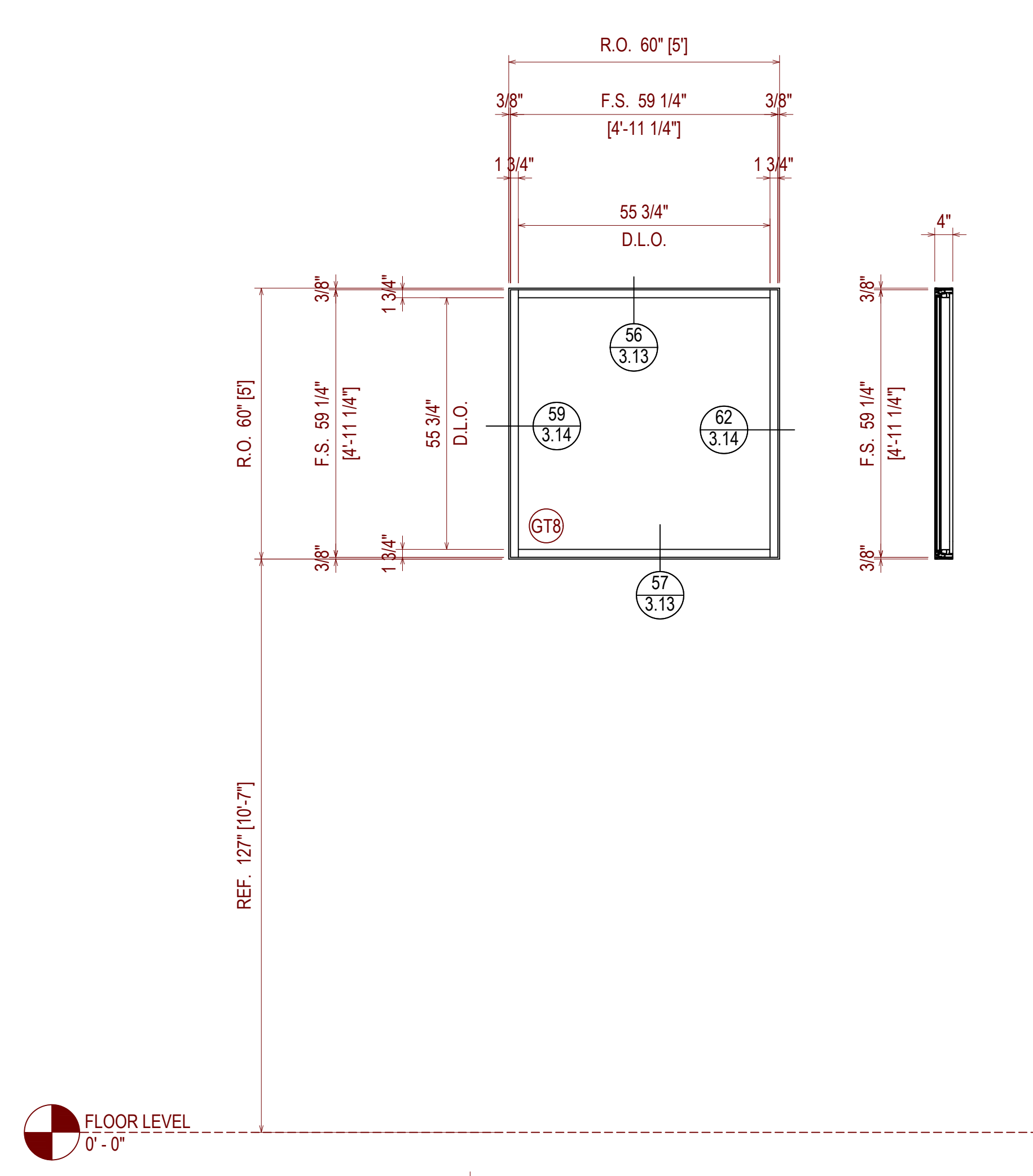
ERECTOR / G.C. NOTE:
 PLEASE FIELD VERIFY ALL DIMENSIONS



ELEVATION NN
 SCALE: 1/2" = 1'-0"
 KAWNEER AA SERIES 6400
 EXTERIOR WINDOW
 1" INSULATED GLASS (FRONT SET)
 QUANTITY: 1



ELEVATION PP
 SCALE: 1/2" = 1'-0"
 KAWNEER AA SERIES 6400
 EXTERIOR WINDOW
 1" INSULATED GLASS (FRONT SET)
 QUANTITY: 1



ELEVATION OO
 SCALE: 1/2" = 1'-0"
 KAWNEER AA SERIES 6400
 EXTERIOR WINDOW
 1" INSULATED GLASS (FRONT SET)
 QUANTITY: 1

1ST SUBMISSION	12.16.22
1ST REVISION	04.21.23
2ND REVISION(ENGINEERING)	06.07.23
NO	DATE
DESCRIPTION	DRAWING SUBMISSION

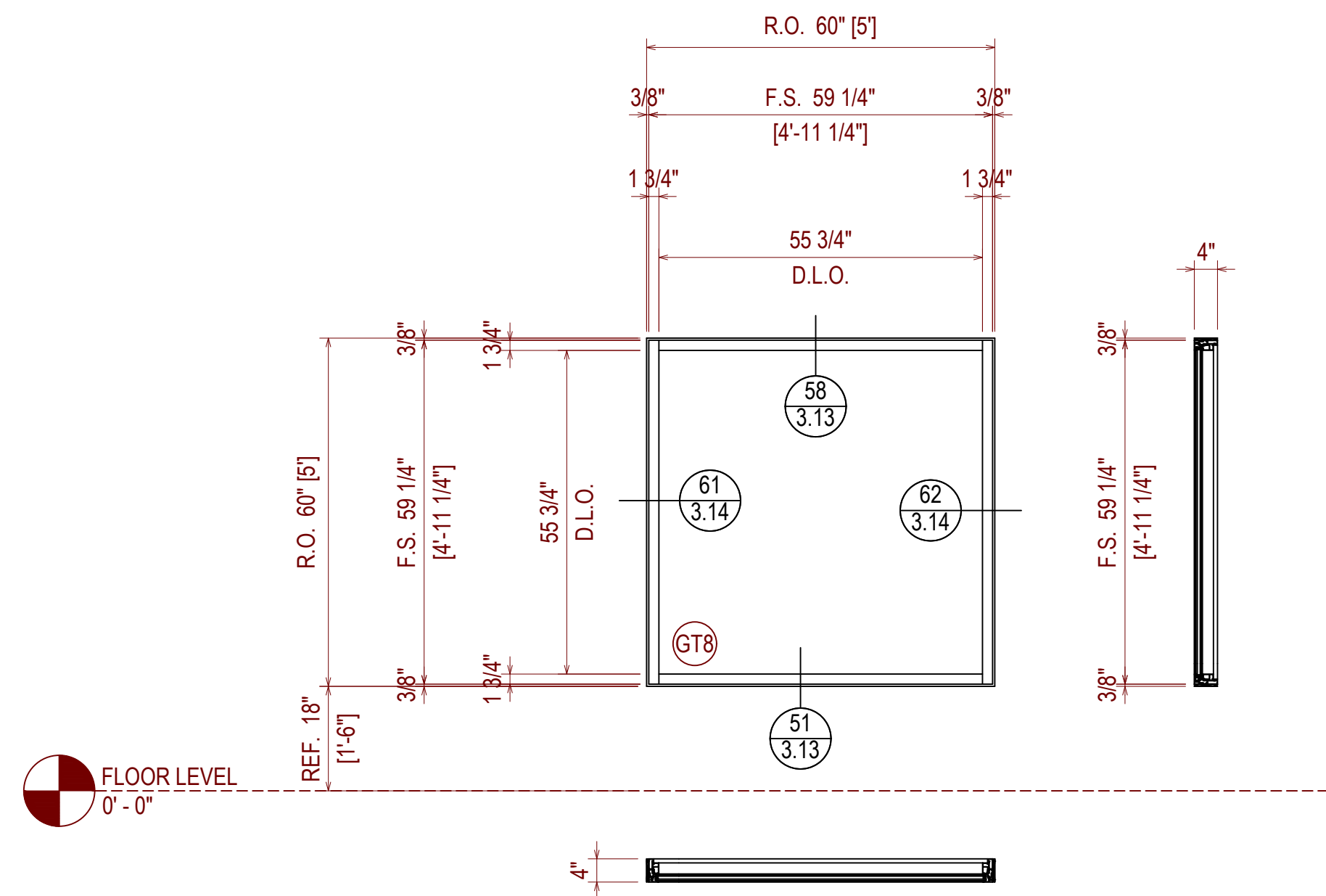
THE THEUT COMPANY, LLC
 P.O. BOX 894
 1317 BUSINESS 71 N
 COLUMBUS, TX 78934
 P: 979.732.2201


PROJECT: DR. SHANNON WALKER
 NEIGHBORHOOD LIBRARY

LOCATION: 5505 BELROSE DRIVE
 HOUSTON, TX 77035

DRAWN BY:	DATE:
CW	12.16.22
CHECKED BY:	DATE:
ST	12.16.22

ERECTOR / G.C. NOTE:
 PLEASE FIELD VERIFY ALL DIMENSIONS



ELEVATION 
 SCALE: 1/2" = 1'-0"
 KAWNEER AA SERIES 6400
 EXTERIOR WINDOW
 1" INSULATED GLASS (FRONT SET)
 QUANTITY: 1

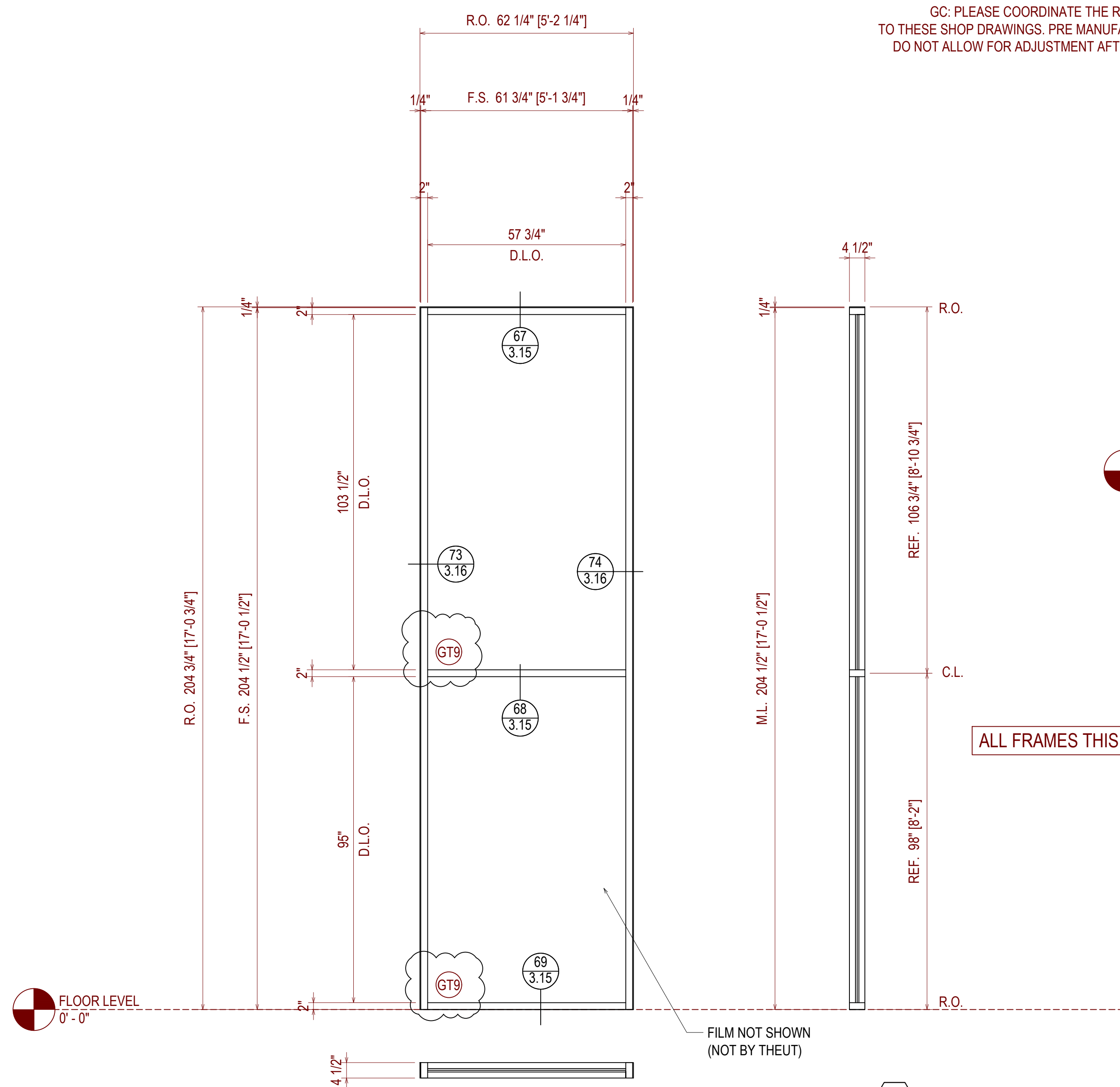
1ST SUBMISSION	12.16.22
1ST REVISION	04.21.23
2ND REVISION(ENGINEERING)	06.07.23
NO	DESCRIPTION
	DATE
	DRAWING SUBMISSION

THE THEUT COMPANY, LLC
 P.O. BOX 894
 1317 BUSINESS 71 N
 COLUMBUS, TX 78934
 P: 979.732.2201

PROJECT: DR. SHANNON WALKER
 NEIGHBORHOOD LIBRARY
 LOCATION: 5505 BELROSE DRIVE
 HOUSTON, TX 77035

DRAWN BY:	CW	DATE:	12.16.22
CHECKED BY:	ST	DATE:	12.16.22

ERECTOR / G.C. NOTE:
 PLEASE FIELD VERIFY ALL DIMENSIONS



ELEVATION A
 SCALE: 1/2" = 1'-0"
 KAWNEER 451 - 2" X 4 1/2"
 INTERIOR WINDOW
 1" INSULATED GLASS (CENTER SET)
 QUANTITY: 1

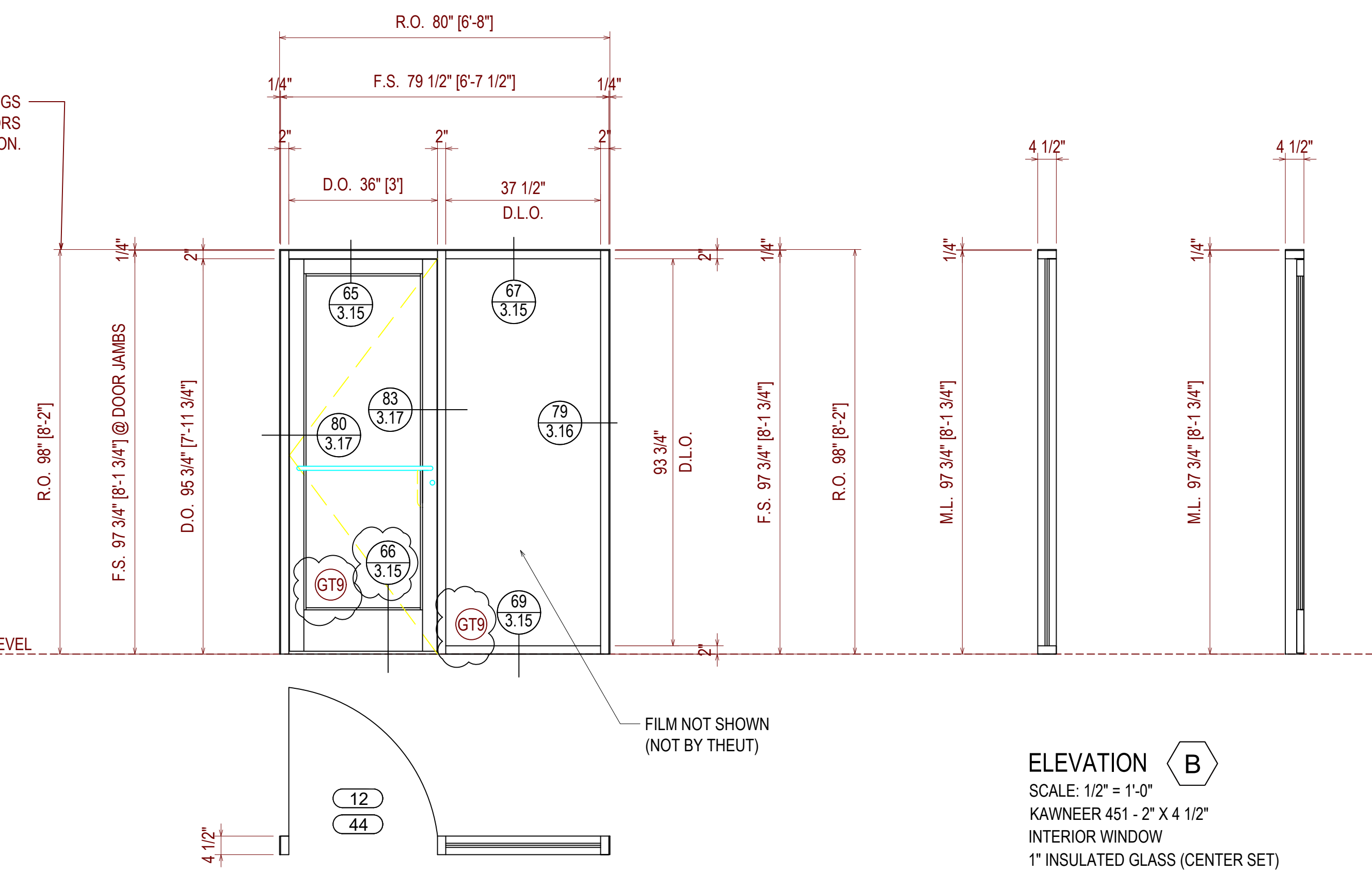
FLOOR LEVEL
0'-0"

GC: PLEASE COORDINATE THE ROUGH OPENINGS TO THESE SHOP DRAWINGS. PRE MANUFACTURED DOORS DO NOT ALLOW FOR ADJUSTMENT AFTER FABRICATION.

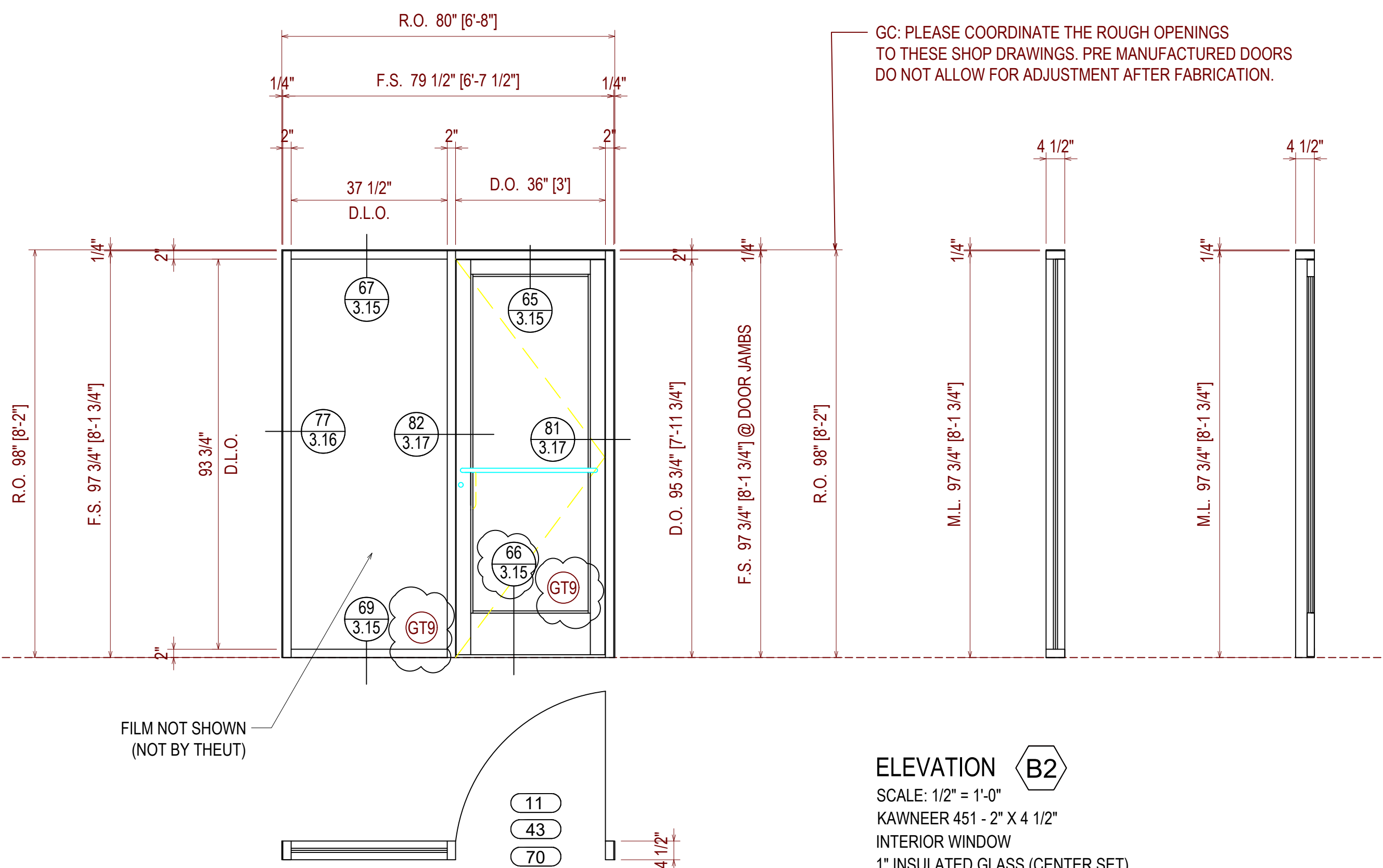
FLOOR LEVEL
0'-0"

ALL FRAMES THIS PAGE ARE ON THE INTERIOR

FLOOR LEVEL
0'-0"



ELEVATION B
 SCALE: 1/2" = 1'-0"
 KAWNEER 451 - 2" X 4 1/2"
 INTERIOR WINDOW
 1" INSULATED GLASS (CENTER SET)
 QUANTITY: 2



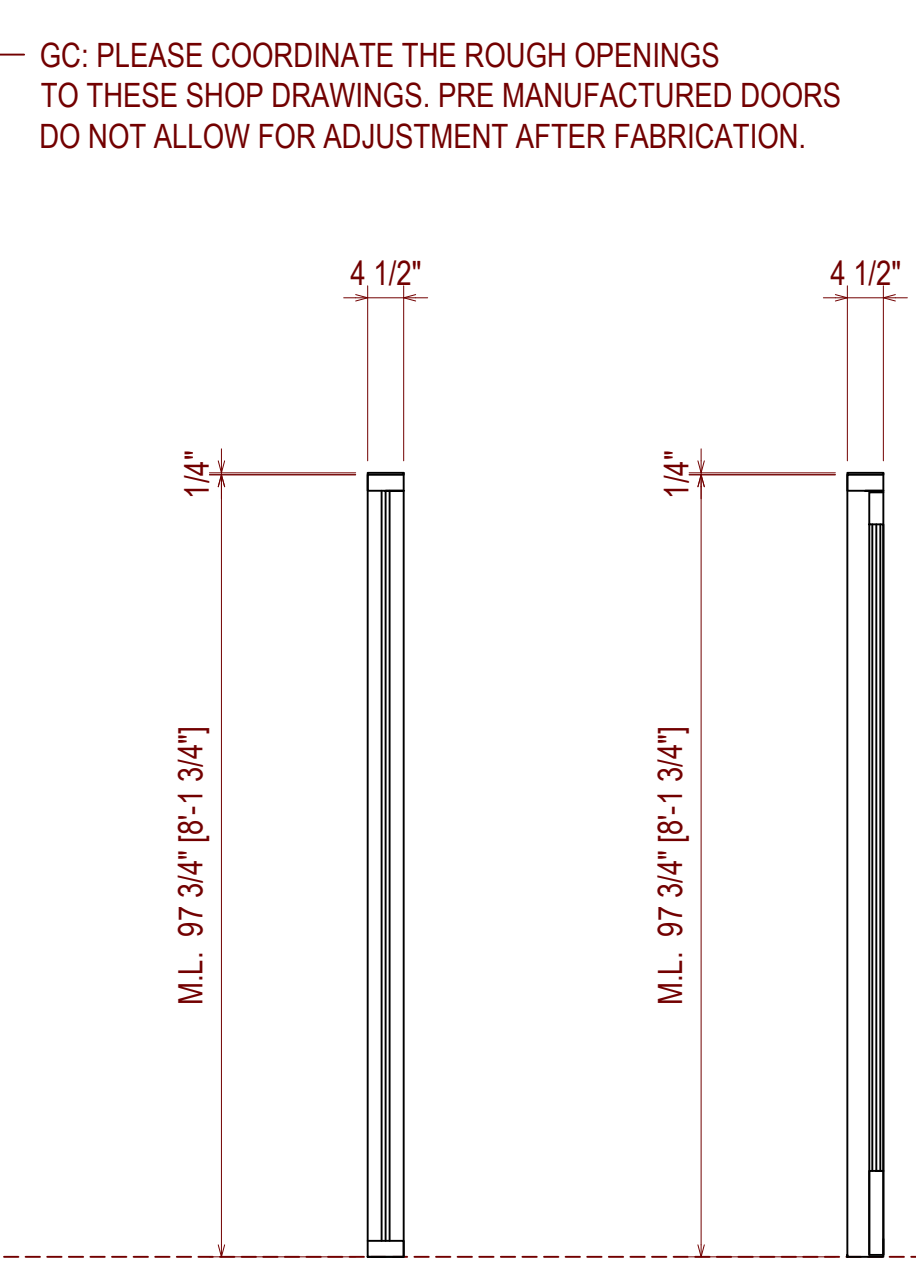
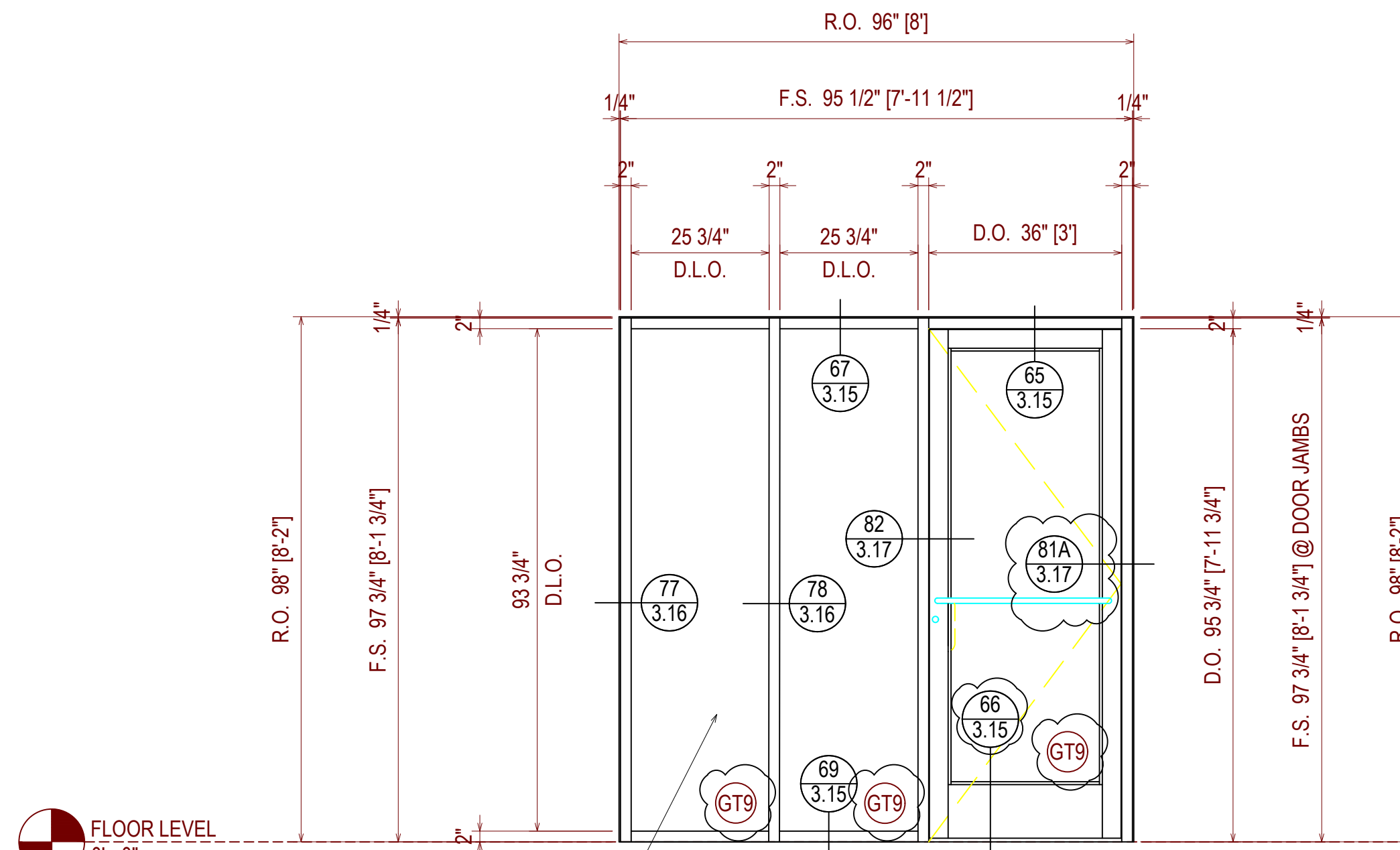
ELEVATION B2
 SCALE: 1/2" = 1'-0"
 KAWNEER 451 - 2" X 4 1/2"
 INTERIOR WINDOW
 1" INSULATED GLASS (CENTER SET)
 QUANTITY: 3

FLOOR LEVEL
0'-0"

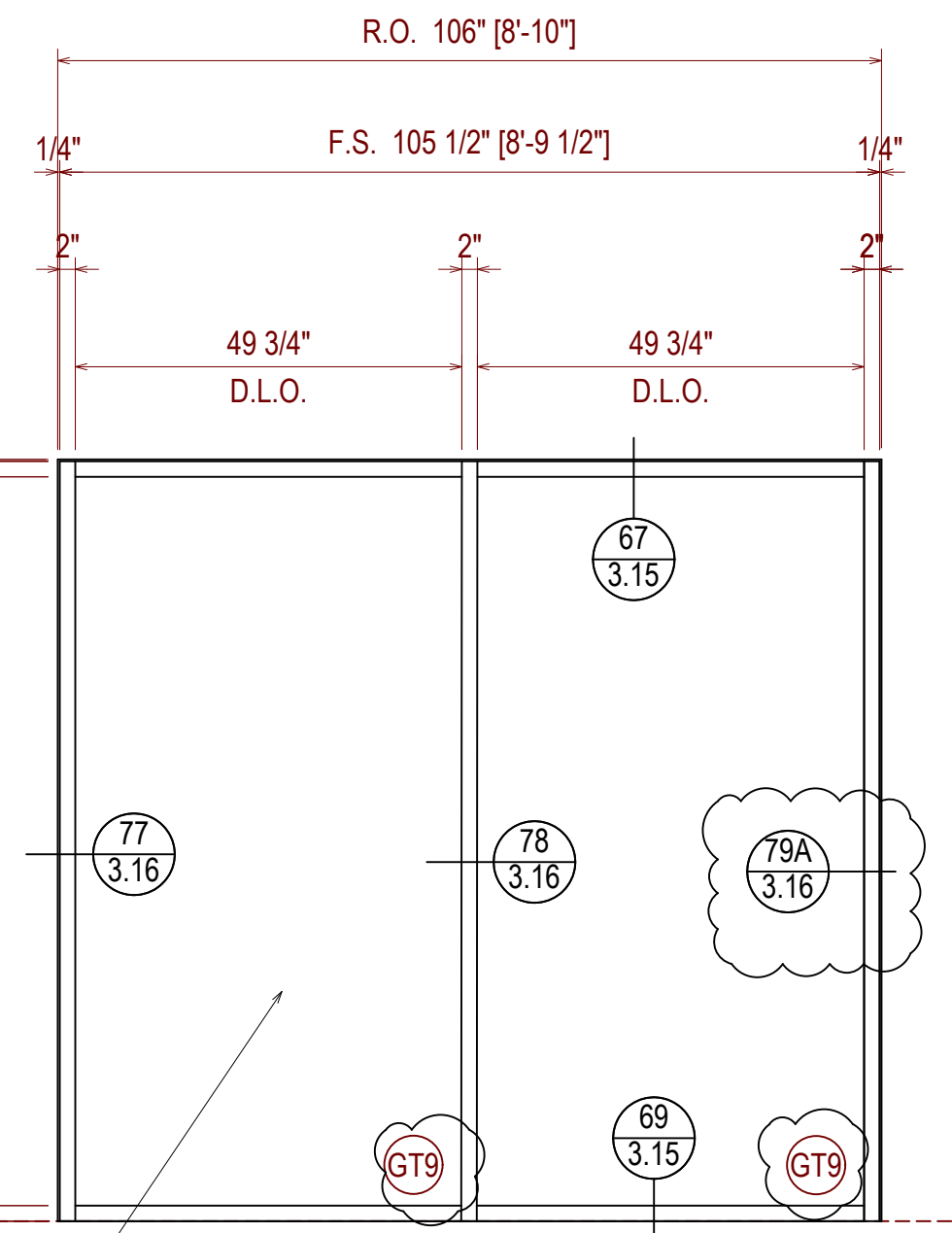
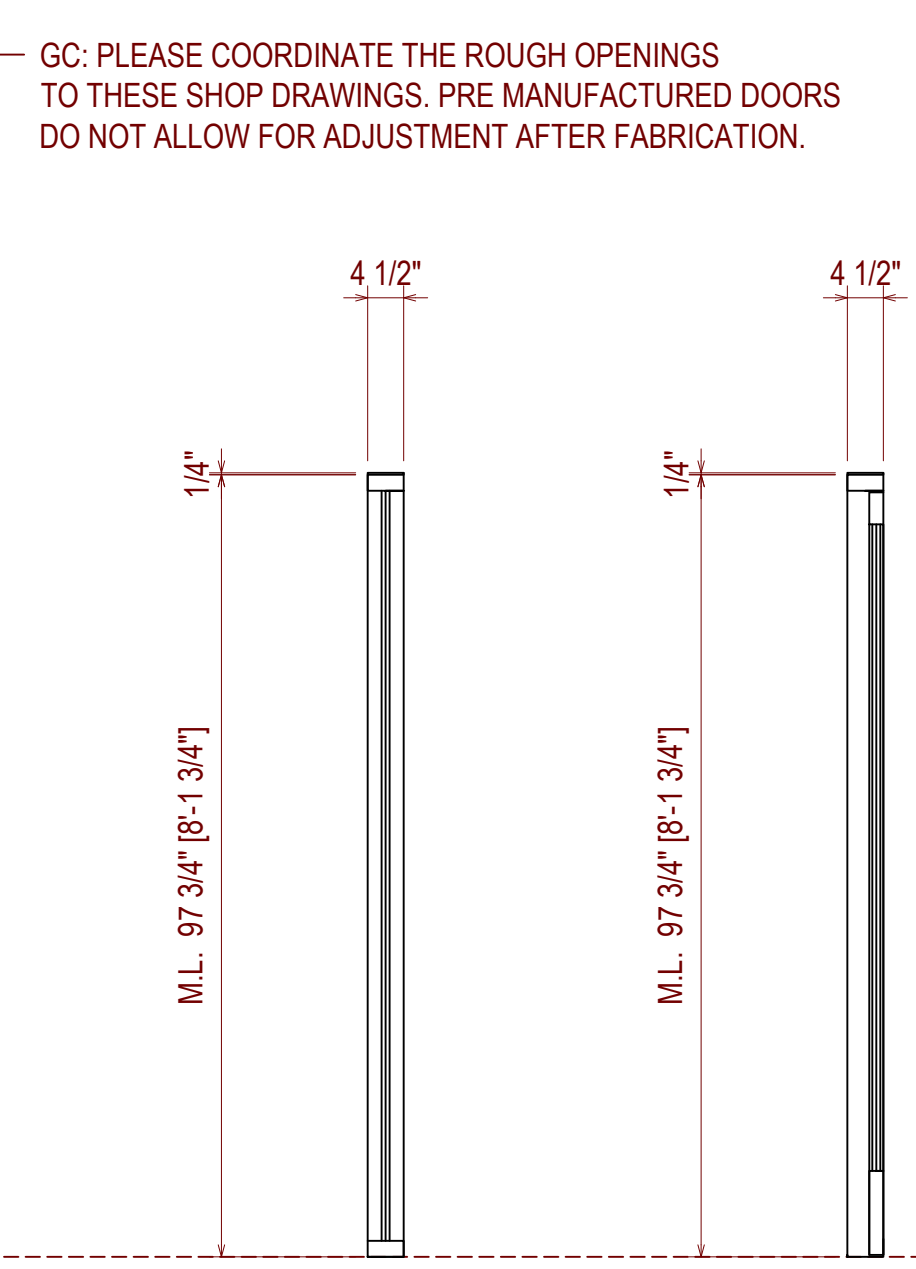
ERECTOR / G.C. NOTE:
 PLEASE FIELD VERIFY ALL DIMENSIONS

PROJECT:	DR. SHANNON WALKER NEIGHBORHOOD LIBRARY	LOCATION:	5505 BELROSE DRIVE HOUSTON, TX 77035
DRAWN BY:	CW	DATE:	12.16.22
CHECKED BY:	ST	DATE:	12.16.22
1ST SUBMISSION	12.16.22	NO	DESCRIPTION
1ST REVISION	04.21.23		
2ND REVISION(ENGINEERING)	06.07.23		
			DATE
			DRAWING SUBMISSION

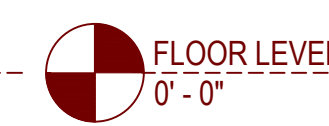
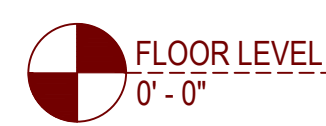
THE THEUT COMPANY, LLC
 P.O. BOX 894
 1317 BUSINESS 71 N
 COLUMBUS, TX 78934
 P: 979.732.2201



ELEVATION B1
 SCALE: 1/2" = 1'-0"
 KAWNEER 451 - 2" X 4 1/2"
 INTERIOR WINDOW
 1" INSULATED GLASS (CENTER SET)
 QUANTITY: 1



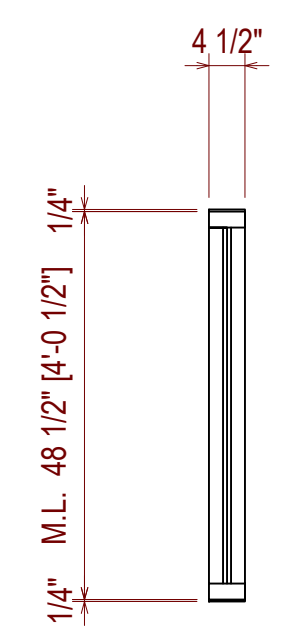
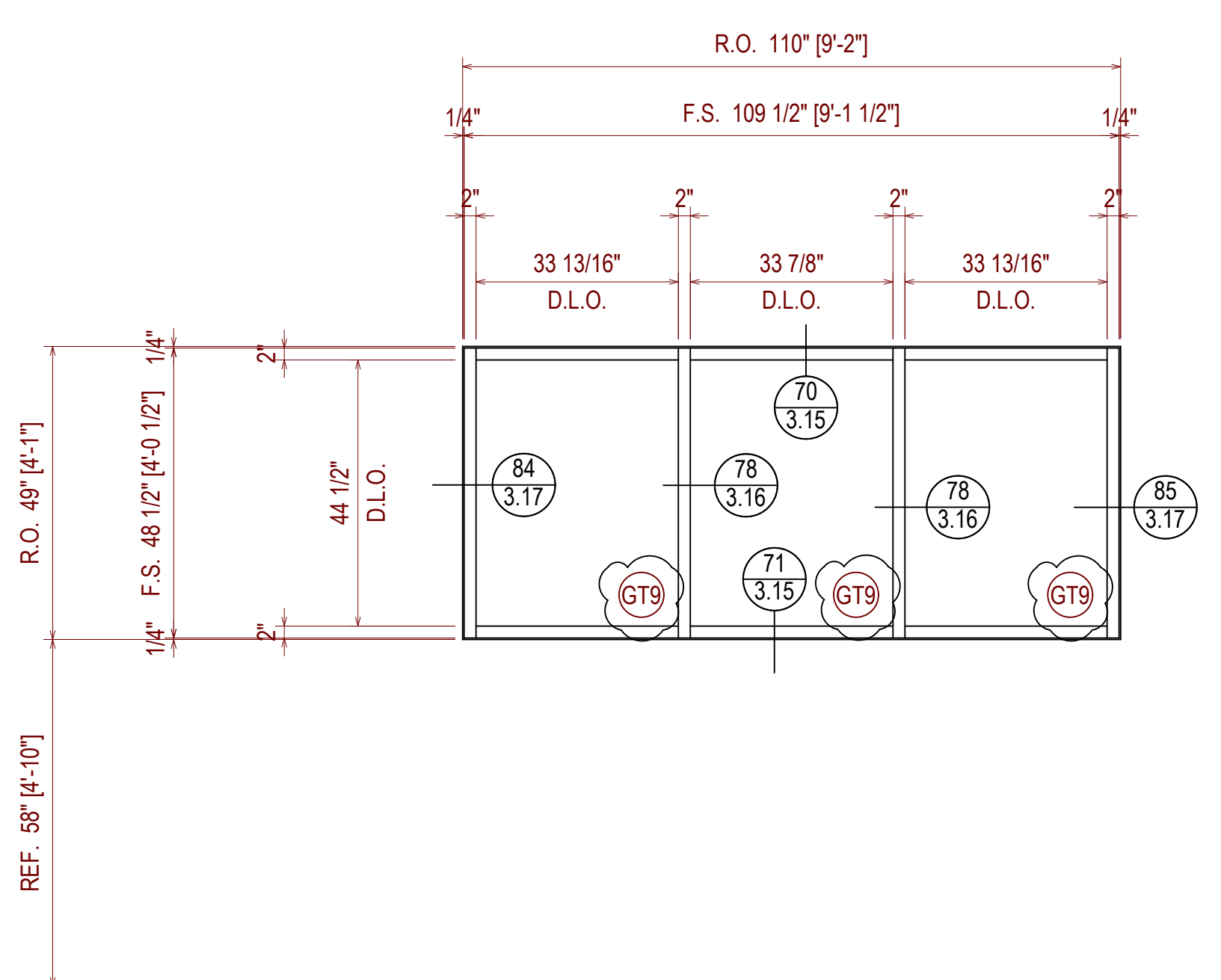
ELEVATION C
 SCALE: 1/2" = 1'-0"
 KAWNEER 451 - 2" X 4 1/2"
 INTERIOR WINDOW
 1" INSULATED GLASS (CENTER SET)
 QUANTITY: 1



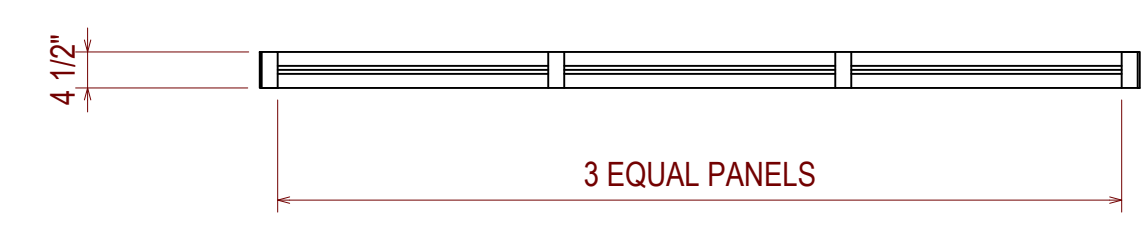
FILM NOT SHOWN
(NOT BY THEUT)

FILM NOT SHOWN
(NOT BY THEUT)

ALL FRAMES THIS PAGE ARE ON THE INTERIOR



ELEVATION G
 SCALE: 1/2" = 1'-0"
 KAWNEER 451 - 2" X 4 1/2"
 INTERIOR WINDOW
 1" INSULATED GLASS (CENTER SET)
 QUANTITY: 1



12.16.22	1ST SUBMISSION
04.21.23	1ST REVISION
06.07.23	2ND REVISION(ENGINEERING)
	NO
	DESCRIPTION
	DATE
	DRAWING SUBMISSION

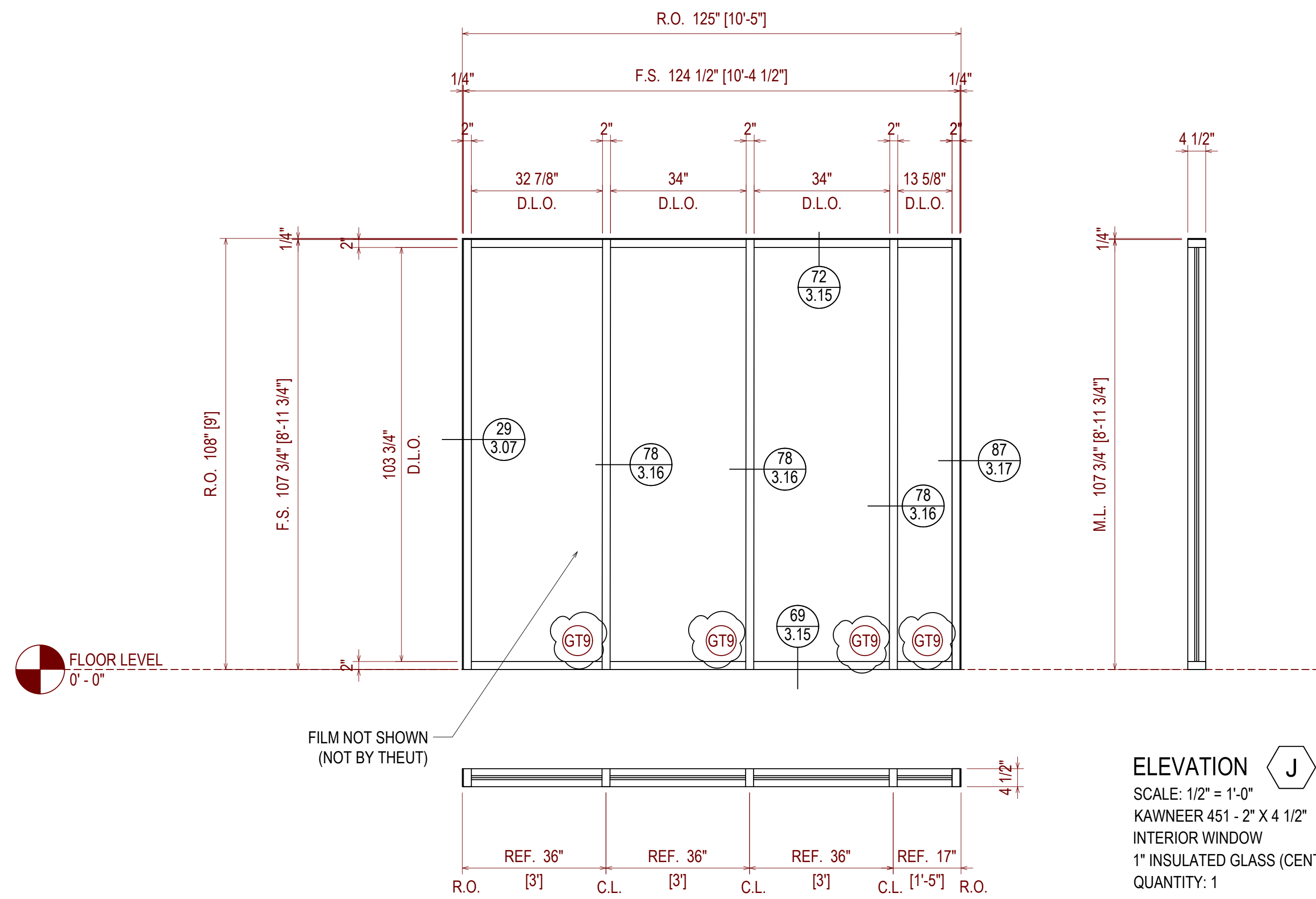
THE THEUT COMPANY, LLC
 P.O. BOX 894
 1317 BUSINESS 71 N
 COLUMBUS, TX 78934
 P: 979.732.2201

PROJECT: DR. SHANNON WALKER
 NEIGHBORHOOD LIBRARY

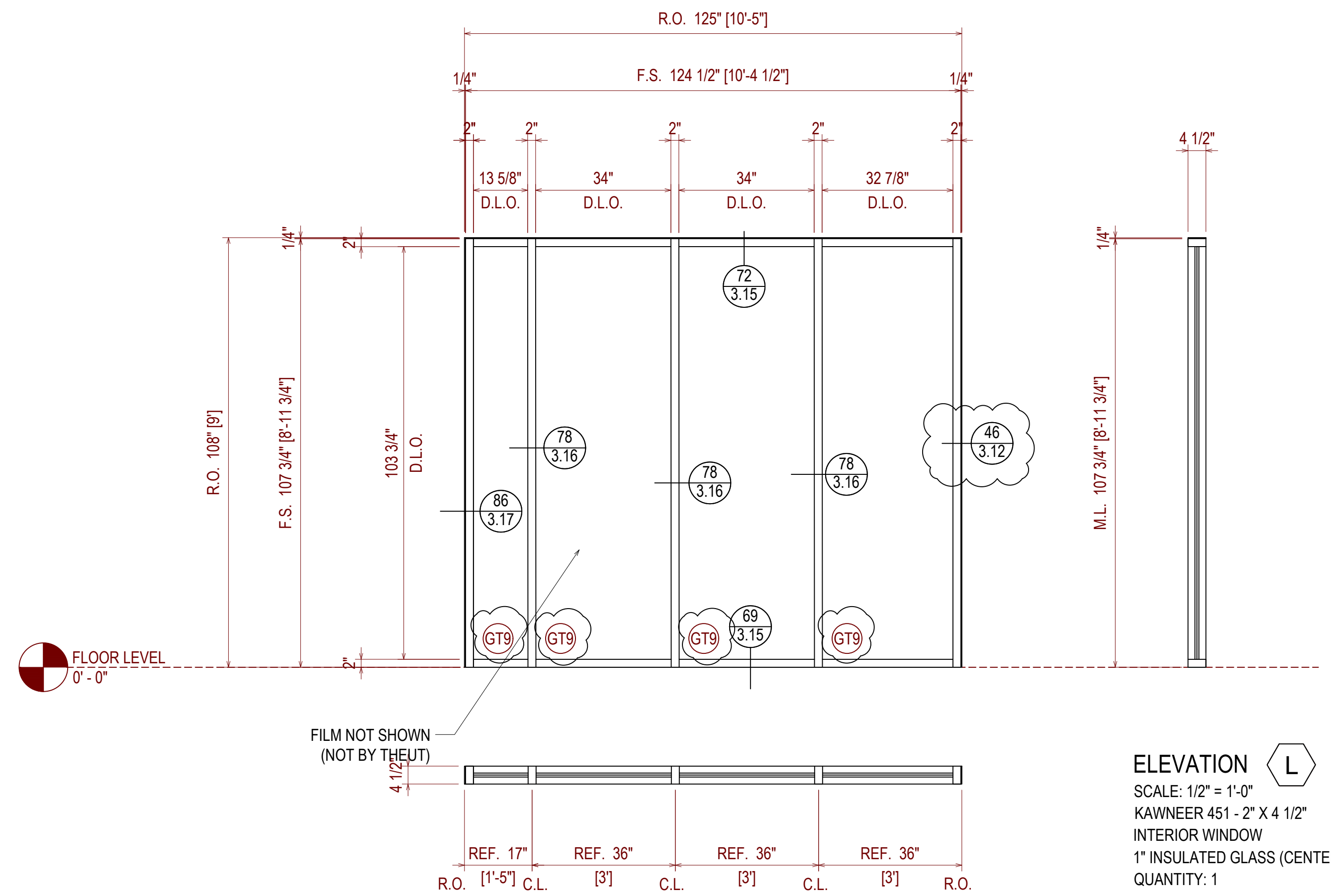
LOCATION: 5505 BELROSE DRIVE
 HOUSTON, TX 77035

DRAWN BY: CW	DATE: 12.16.22
CHECKED BY: ST	DATE: 12.16.22

ERECTOR / G.C. NOTE:
 PLEASE FIELD VERIFY ALL DIMENSIONS

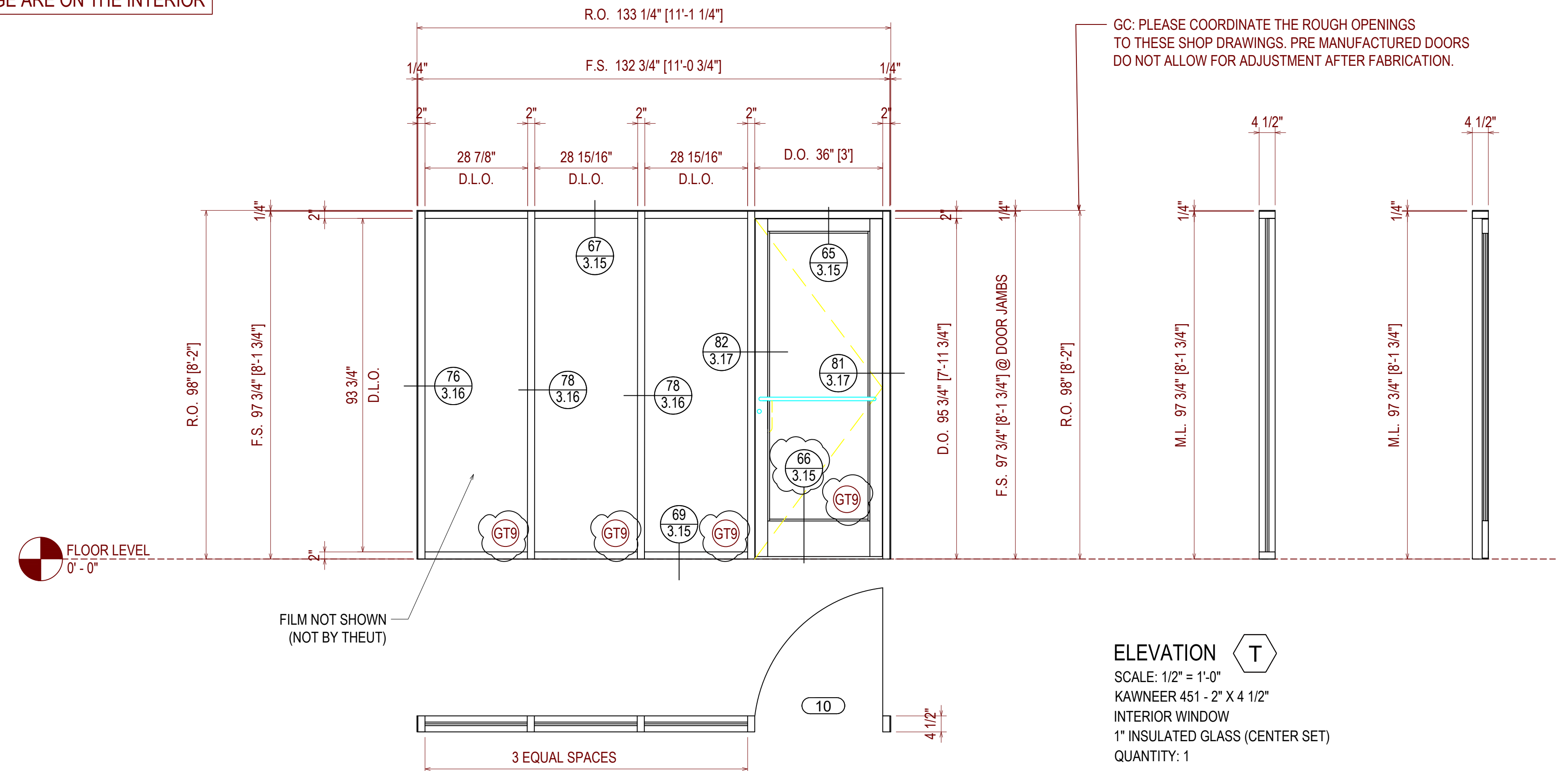


ELEVATION J
 SCALE: 1/2" = 1'-0"
 KAWNEER 451 - 2" X 4 1/2"
 INTERIOR WINDOW
 1" INSULATED GLASS (CENTER SET)
 QUANTITY: 1



ELEVATION L
 SCALE: 1/2" = 1'-0"
 KAWNEER 451 - 2" X 4 1/2"
 INTERIOR WINDOW
 1" INSULATED GLASS (CENTER SET)
 QUANTITY: 1

ALL FRAMES THIS PAGE ARE ON THE INTERIOR



ELEVATION T
 SCALE: 1/2" = 1'-0"
 KAWNEER 451 - 2" X 4 1/2"
 INTERIOR WINDOW
 1" INSULATED GLASS (CENTER SET)
 QUANTITY: 1

ERECTOR / G.C. NOTE:
 PLEASE FIELD VERIFY ALL DIMENSIONS

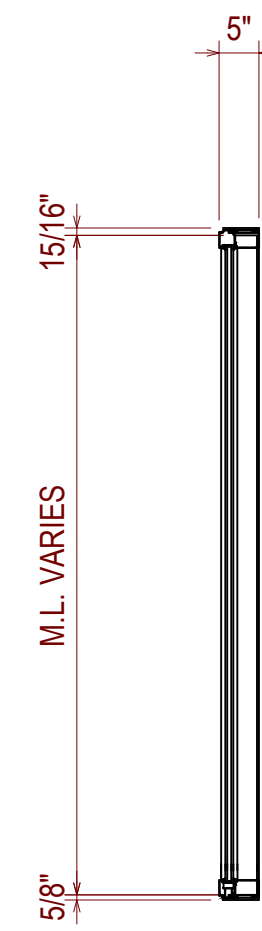
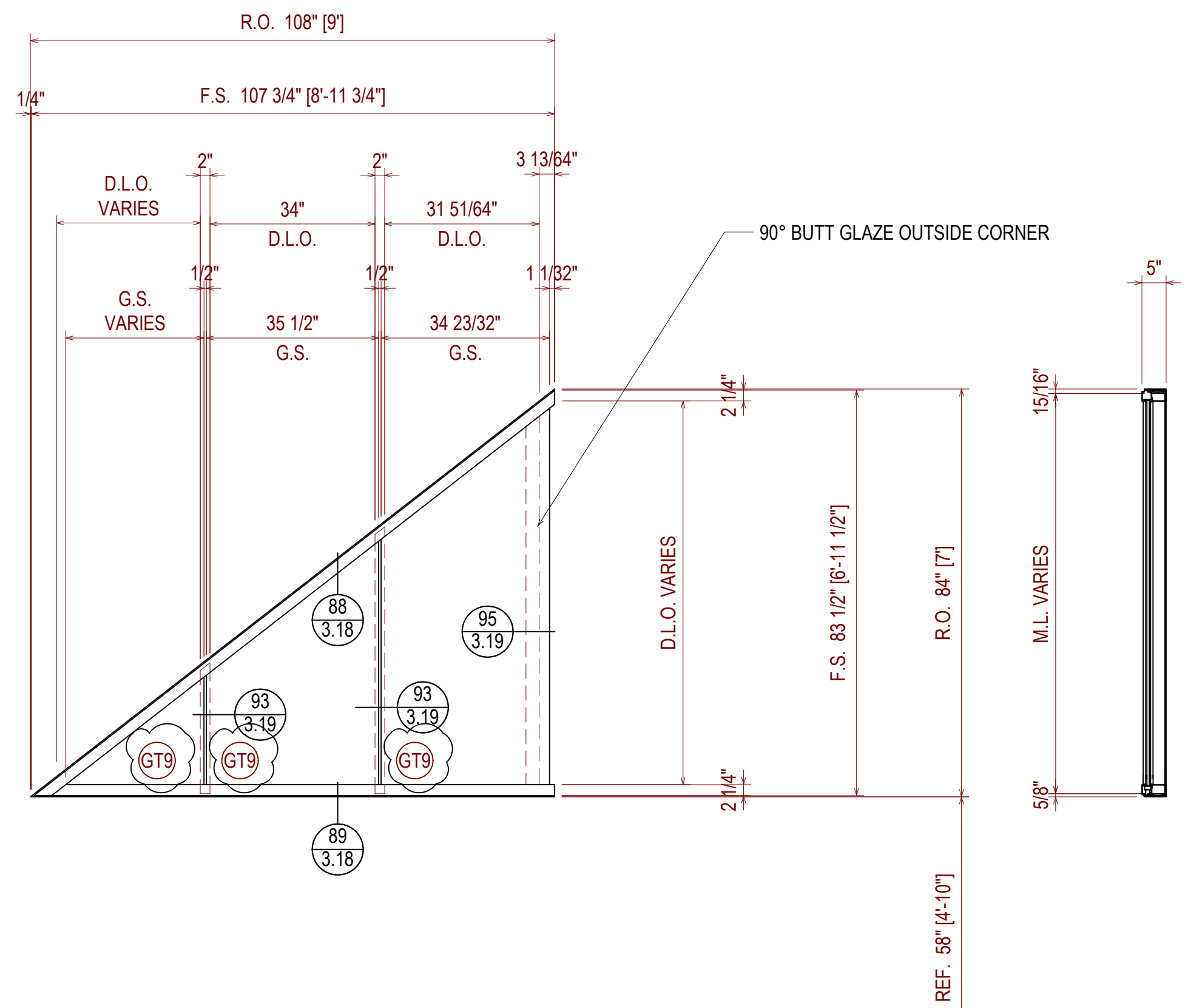
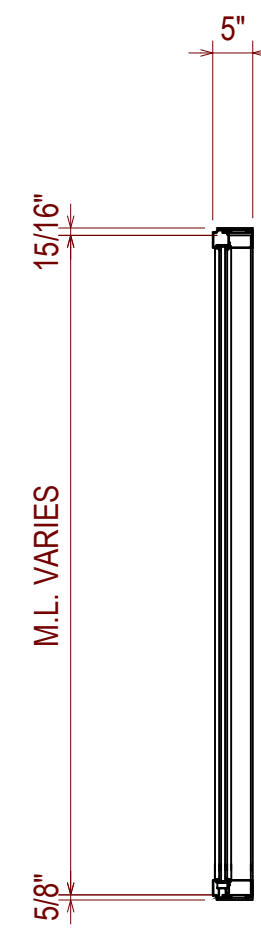
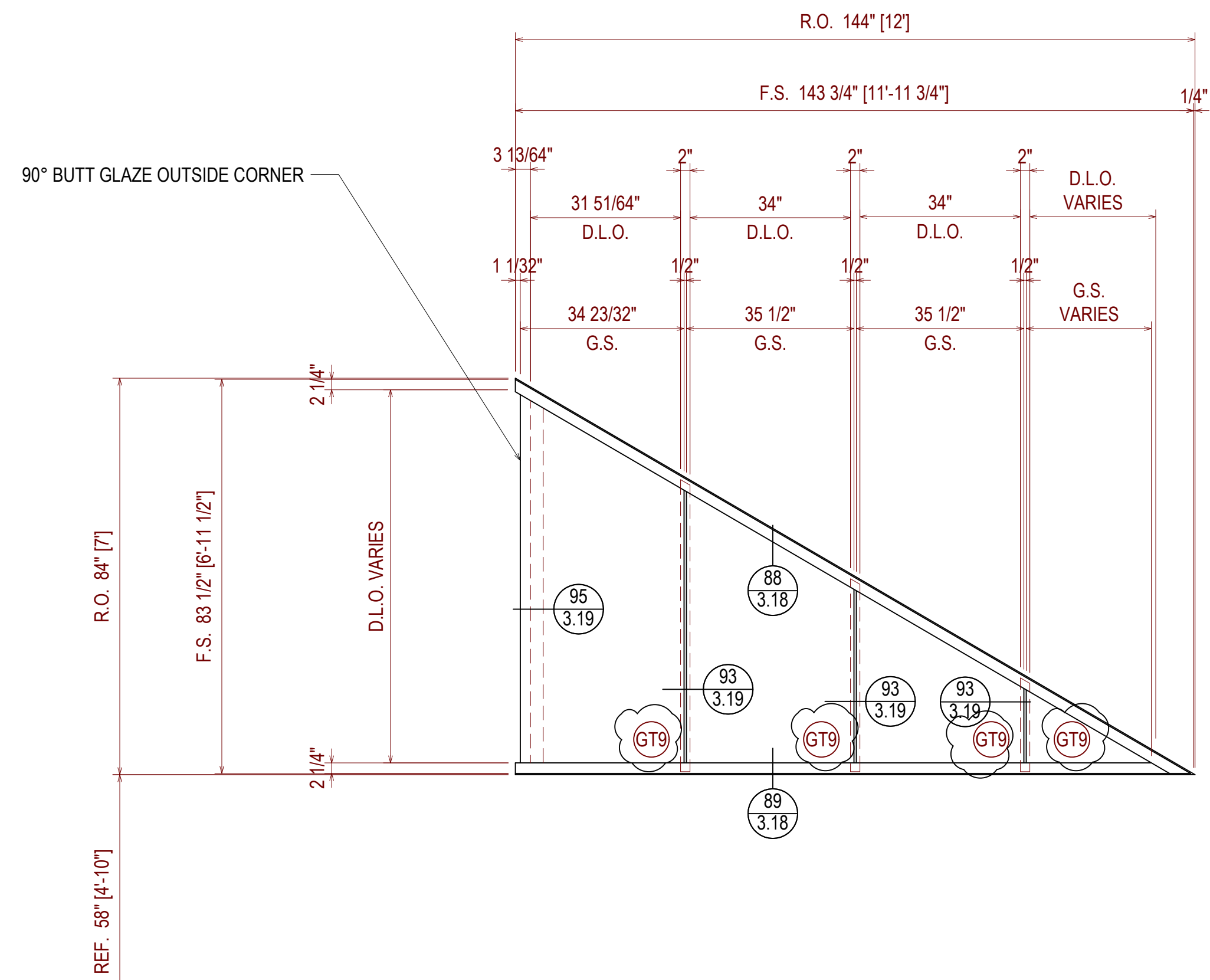
12.16.22	1ST SUBMISSION
04.21.23	1ST REVISION
06.01.23	2ND REVISION(ENGINEERING)
	NO
	DESCRIPTION
	DATE
	DRAWING SUBMISSION

THE THEUT COMPANY, LLC
 P.O. BOX 894
 1317 BUSINESS 71 N
 COLUMBUS, TX 78934
 P: 979.732.2201

PROJECT: DR. SHANNON WALKER
 NEIGHBORHOOD LIBRARY

LOCATION: 5505 BELROSE DRIVE
 HOUSTON, TX 77035

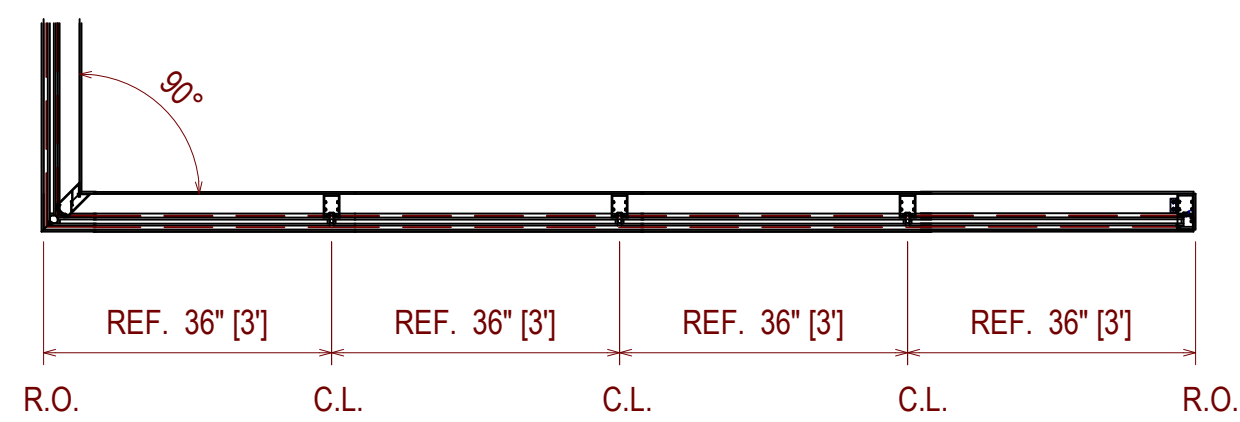
DRAWN BY: CW	DATE: 12.16.22
CHECKED BY: ST	DATE: 12.16.22



FLOOR LEVEL
0' - 0"

FLOOR LEVEL
0' - 0"

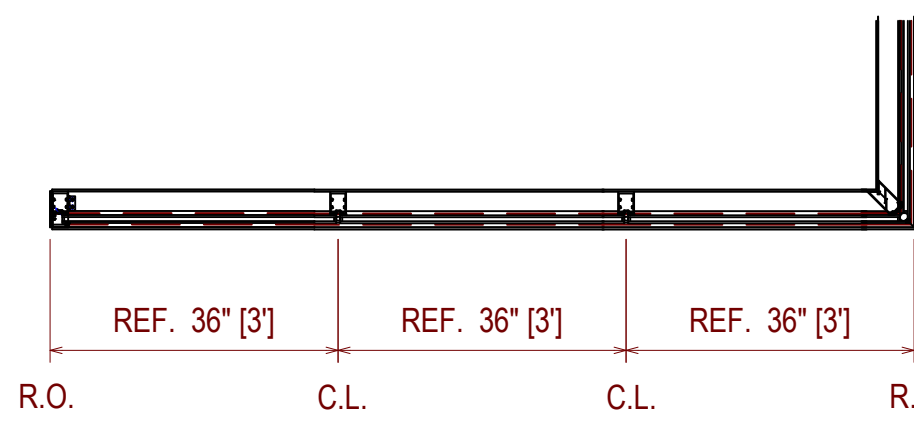
F
2.22



ELEVATION E

SCALE: 1/2" = 1'-0"
KAWNEER 451 SSG - 2" X 4 1/2"
INTERIOR WINDOW
1" INSULATED GLASS (CENTER SET)
QUANTITY: 1

E
2.22



ELEVATION F

SCALE: 1/2" = 1'-0"
KAWNEER 451 SSG - 2" X 4 1/2"
INTERIOR WINDOW
1" INSULATED GLASS (CENTER SET)
QUANTITY: 1

ALL FRAMES THIS PAGE ARE ON THE INTERIOR

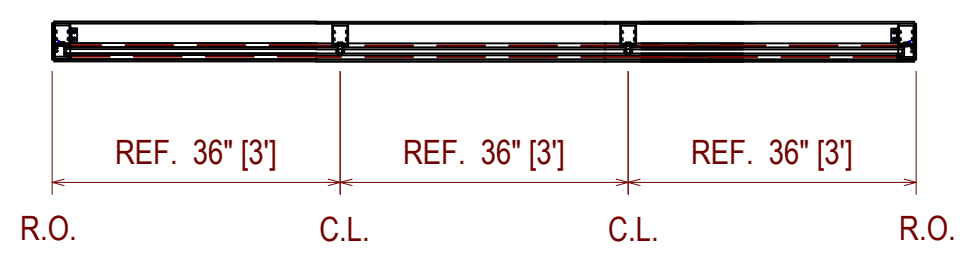
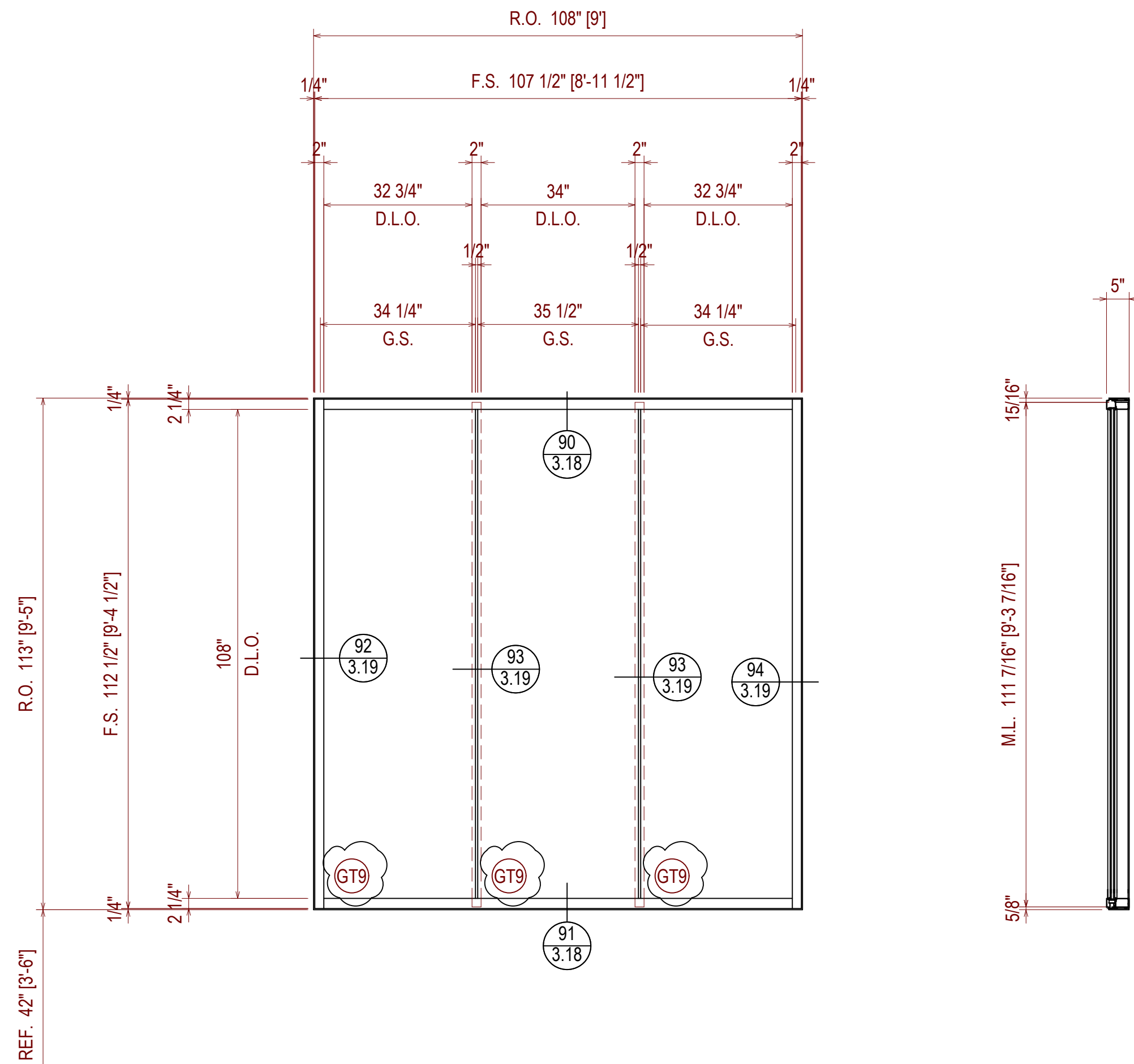
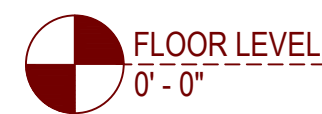
12.16.22	1ST SUBMISSION
04.21.23	1ST REVISION
06.07.23	2ND REVISION(ENGINEERING)
	NO
	DESCRIPTION
	DATE
	DRAWING SUBMISSION

THE THEUT COMPANY, LLC
P.O. BOX 894
1317 BUSINESS 71 N
COLUMBUS, TX 78934
P: 979.732.2201

PROJECT: DR. SHANNON WALKER
NEIGHBORHOOD LIBRARY
LOCATION: 5505 BELROSE DRIVE
HOUSTON, TX 77035

DRAWN BY:	DATE:
CW	12.16.22
CHECKED BY:	DATE:
ST	12.16.22

ERECTOR / G.C. NOTE:
PLEASE FIELD VERIFY ALL DIMENSIONS



ELEVATION H
 SCALE: 1/2" = 1'-0"
 KAWNEER 451 SSG - 2" X 4 1/2"
 INTERIOR WINDOW
 1" INSULATED GLASS (CENTER SET)
 QUANTITY: 1

ALL FRAMES THIS PAGE ARE ON THE INTERIOR

12.16.22	1ST SUBMISSION
04.21.23	1ST REVISION
06.07.23	2ND REVISION(ENGINEERING)
	NO
	DESCRIPTION
	DATE
	DRAWING SUBMISSION

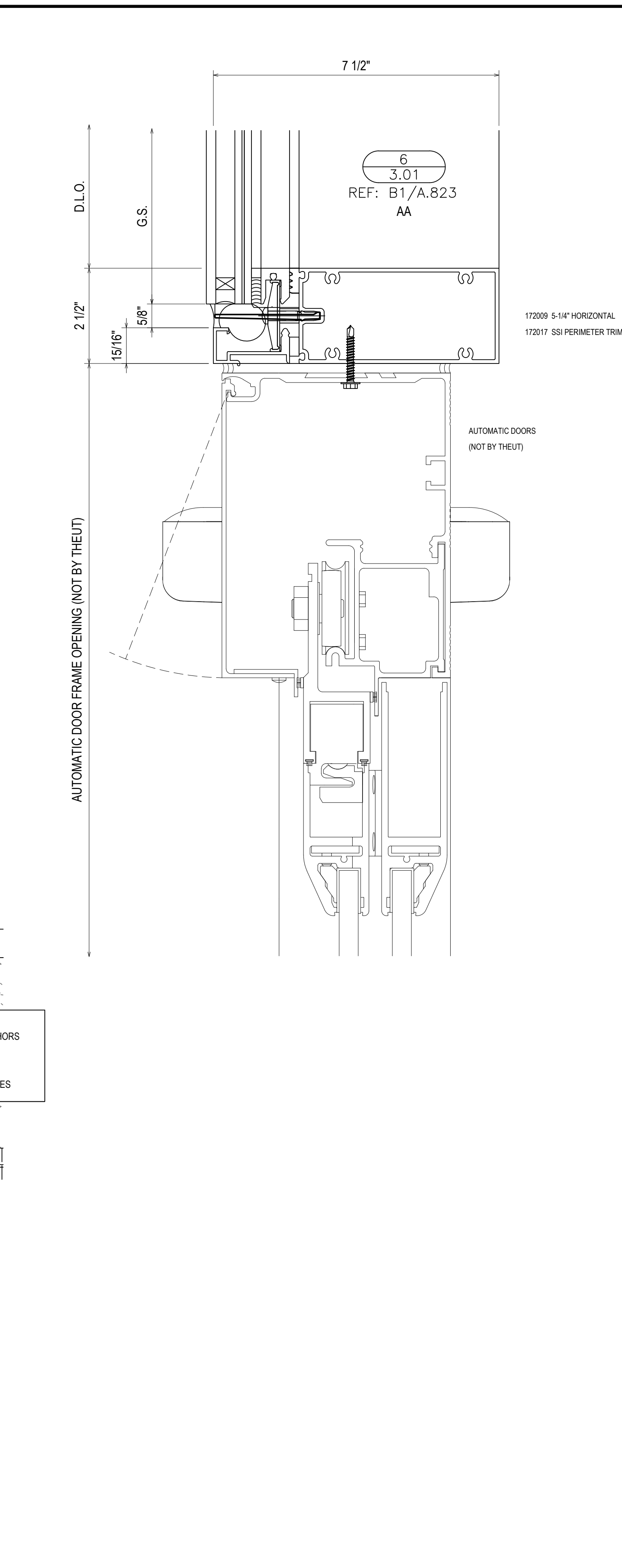
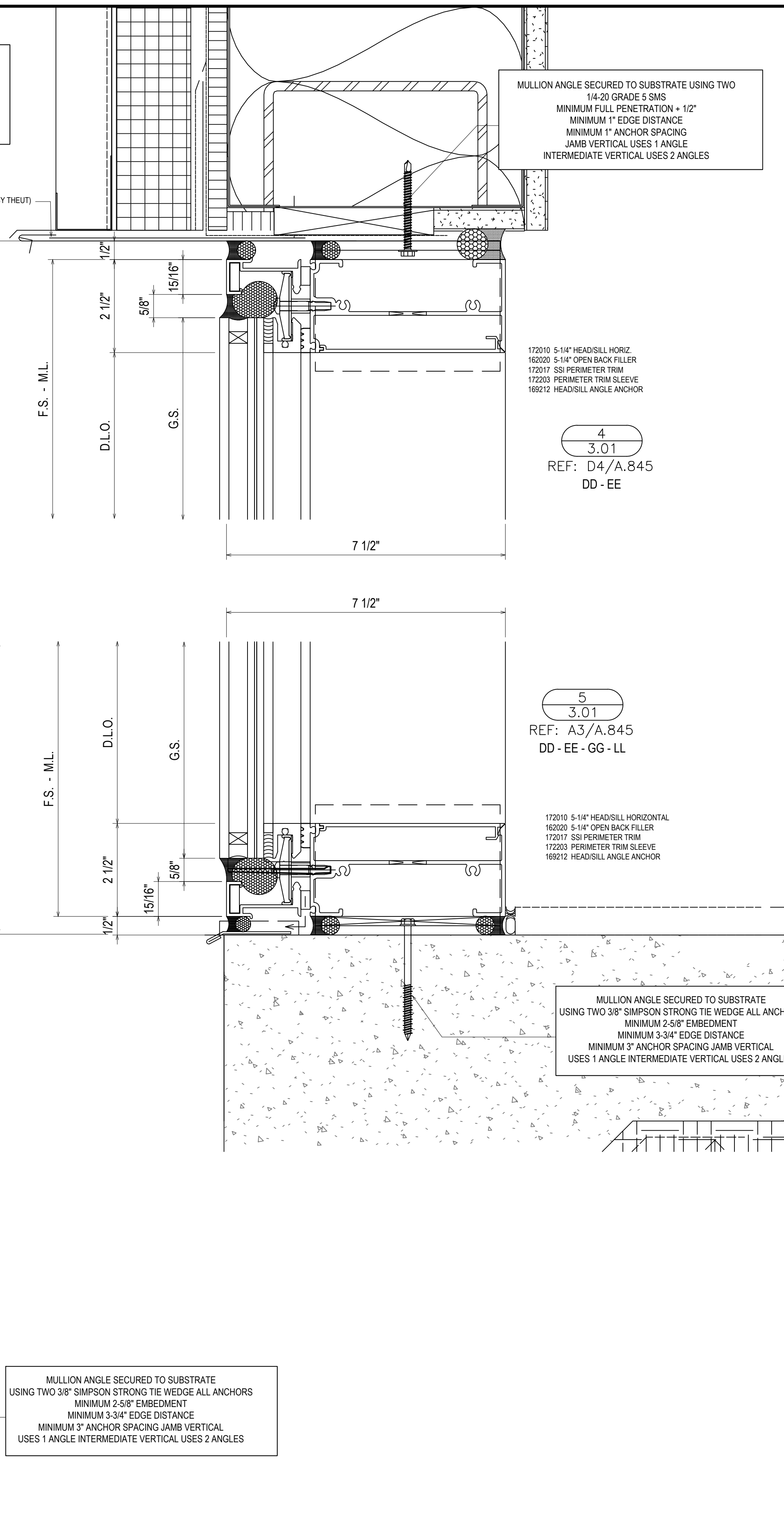
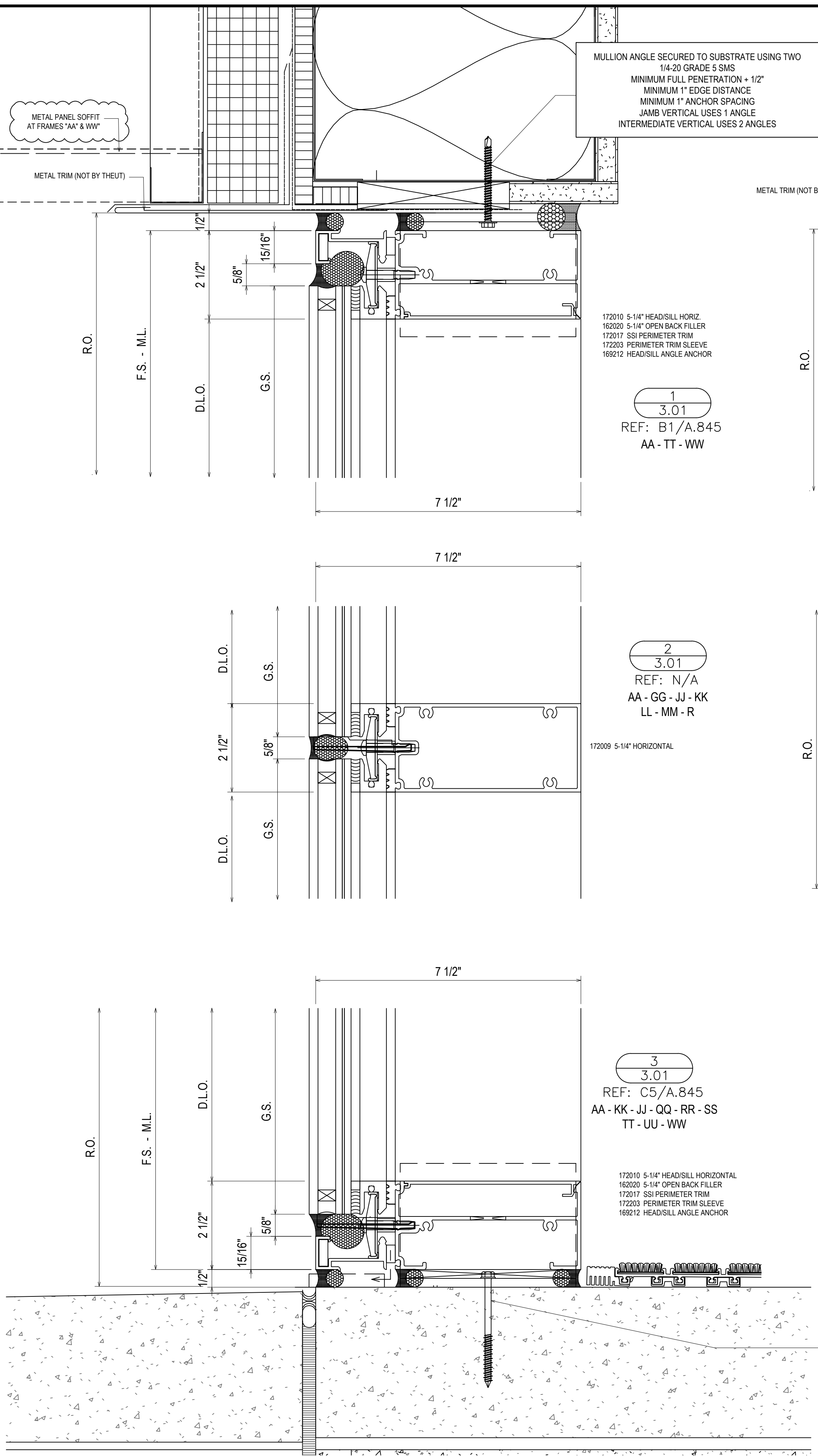
THE THEUT COMPANY, LLC
 P.O. BOX 894
 1317 BUSINESS 71 N
 COLUMBUS, TX 78934
 P: 979.732.2201

PROJECT: DR. SHANNON WALKER
 NEIGHBORHOOD LIBRARY

LOCATION: 5505 BELROSE DRIVE
 HOUSTON, TX 77035

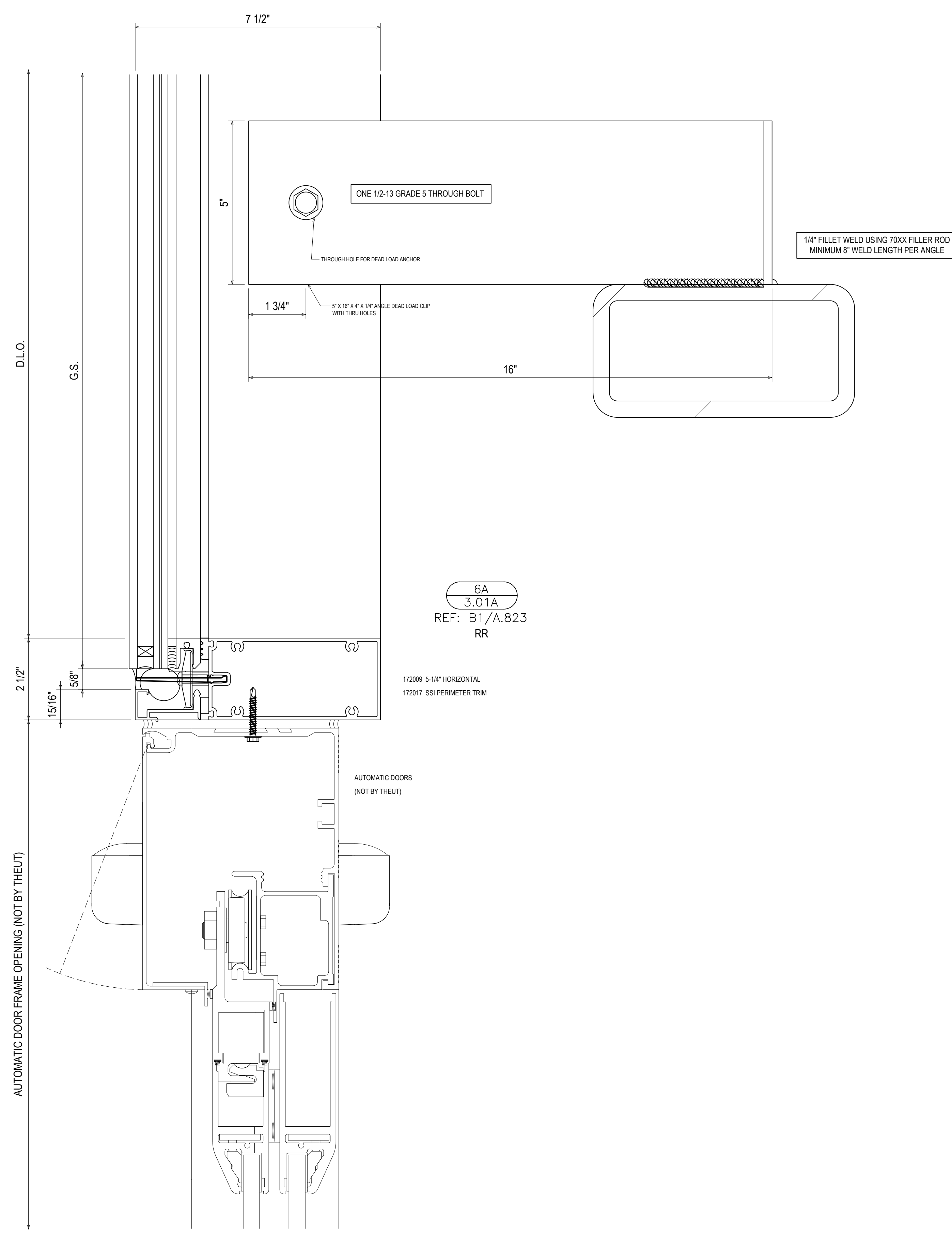
DRAWN BY: CW	DATE: 12.16.22
CHECKED BY: ST	DATE: 12.16.22

ERECTOR / G.C. NOTE:
 PLEASE FIELD VERIFY ALL DIMENSIONS



PROJECT:	DR. SHANNON WALKER NEIGHBORHOOD LIBRARY	LOCATION:	5505 BELROSE DRIVE HOUSTON, TX 77035
DRAWN BY:	CW	DATE:	12.16.22
CHECKED BY:	ST	DATE:	12.16.22
1ST SUBMISSION	12.16.22	NO	DESCRIPTION
1ST REVISION	04.21.23	NO	DATE
2ND REVISION(ENGINEERING)	06.07.23	NO	DATE

THE THEUT COMPANY, LLC
P.O. BOX 894
1317 BUSINESS 71 N
COLUMBUS, TX 78934
P: 979.732.2201



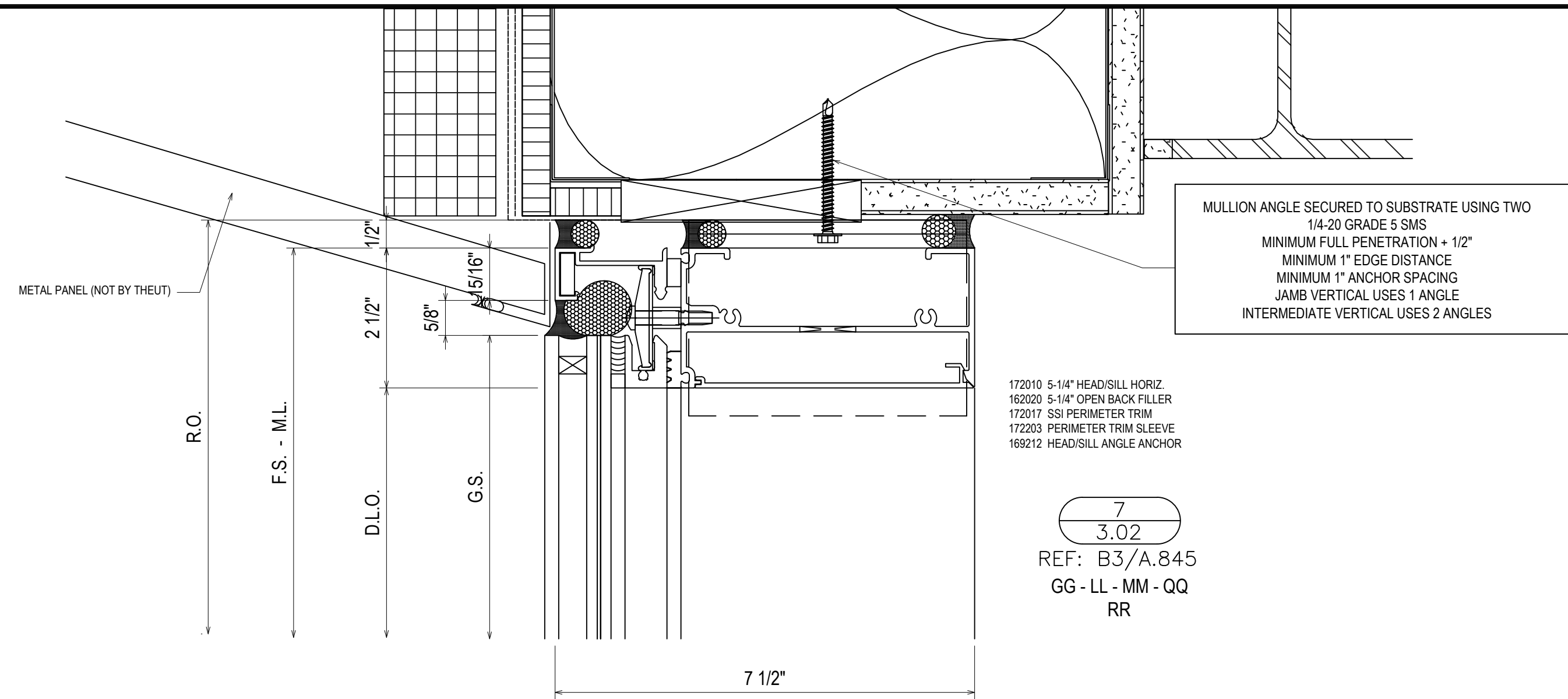
12.16.22	1ST SUBMISSION
04.21.23	1ST REVISION
06.01.23	2ND REVISION(ENGINEERING)
	NO
	DESCRIPTION
	DATE
	DRAWING SUBMISSION

THE THEUT COMPANY, LLC
P.O. BOX 894
1317 BUSINESS 71 N
COLUMBUS, TX 78934
P: 979.732.2201

PROJECT: DR. SHANNON WALKER
NEIGHBORHOOD LIBRARY
LOCATION: 5505 BELROSE DRIVE
HOUSTON, TX 77035

DRAWN BY:	DATE:
CW	12.16.22
CHECKED BY:	DATE:
ST	12.16.22

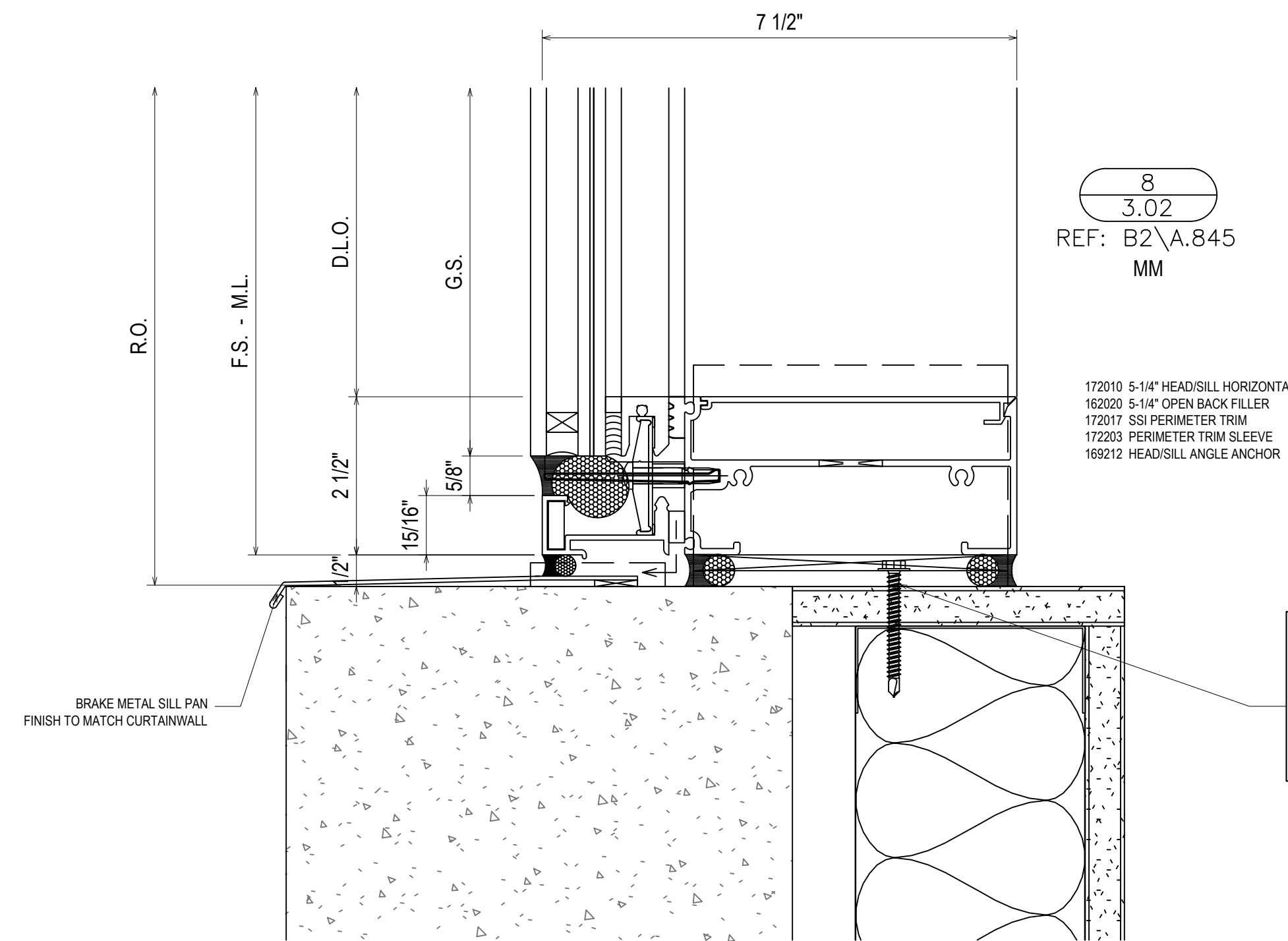
3.01A



7
3.02
REF: B3/A.845
GG - LL - MM - QQ
RR

- 172010 5-1/4" HEAD/SILL HORIZ
- 162020 5-1/4" OPEN BACK FILLER
- 172017 SSI PERIMETER TRIM
- 172203 PERIMETER TRIM SLEEVE
- 169212 HEAD/SILL ANGLE ANCHOR

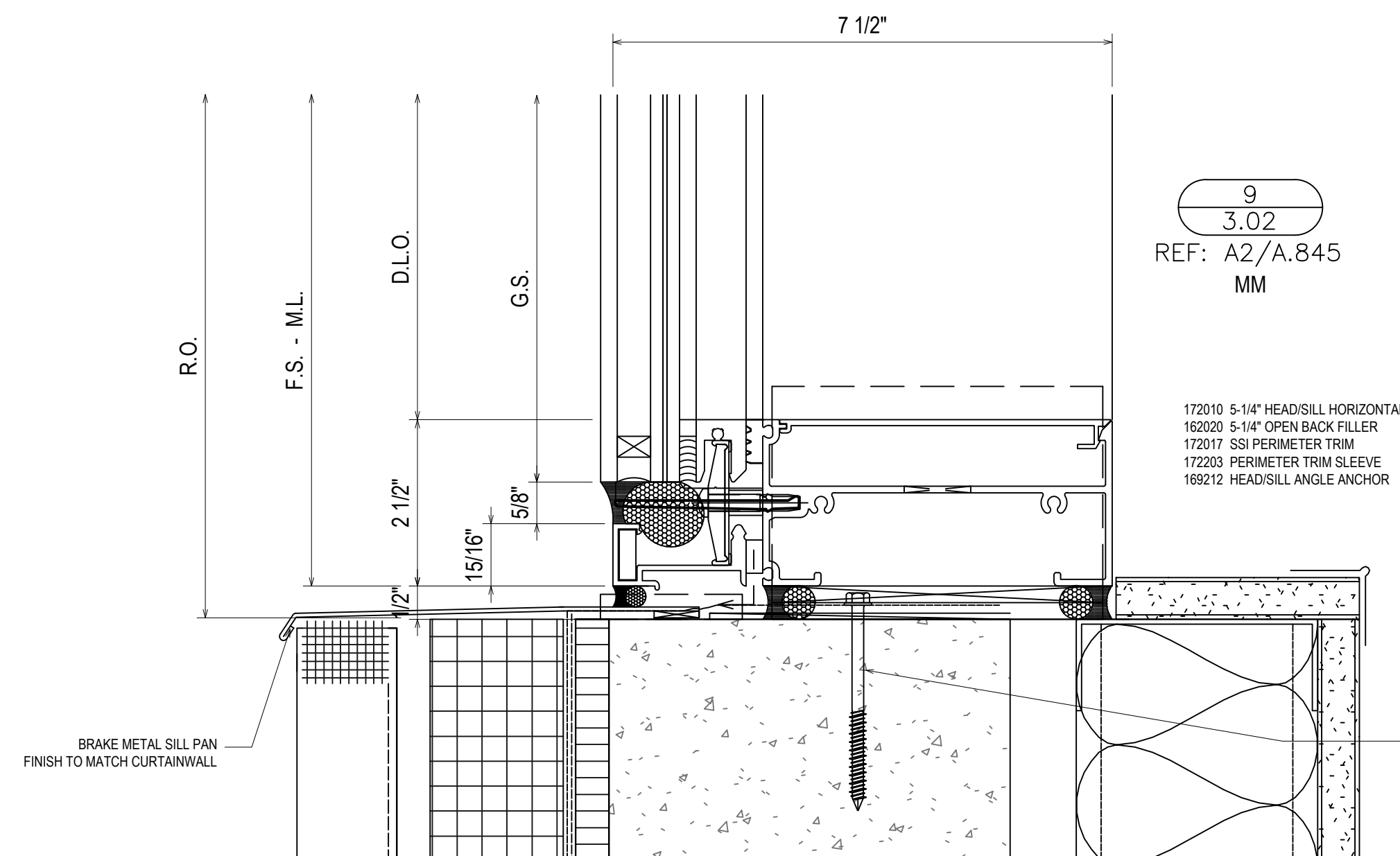
MULLION ANGLE SECURED TO SUBSTRATE USING TWO
1/4-20 GRADE 5 SMS
MINIMUM FULL PENETRATION + 1/2"
MINIMUM 1" EDGE DISTANCE
MINIMUM 1" ANCHOR SPACING
JAMB VERTICAL USES 1 ANGLE
INTERMEDIATE VERTICAL USES 2 ANGLES



8
3.02
REF: B2/A.845
MM

- 172010 5-1/4" HEAD/SILL HORIZONTAL
- 162020 5-1/4" OPEN BACK FILLER
- 172017 SSI PERIMETER TRIM
- 172203 PERIMETER TRIM SLEEVE
- 169212 HEAD/SILL ANGLE ANCHOR

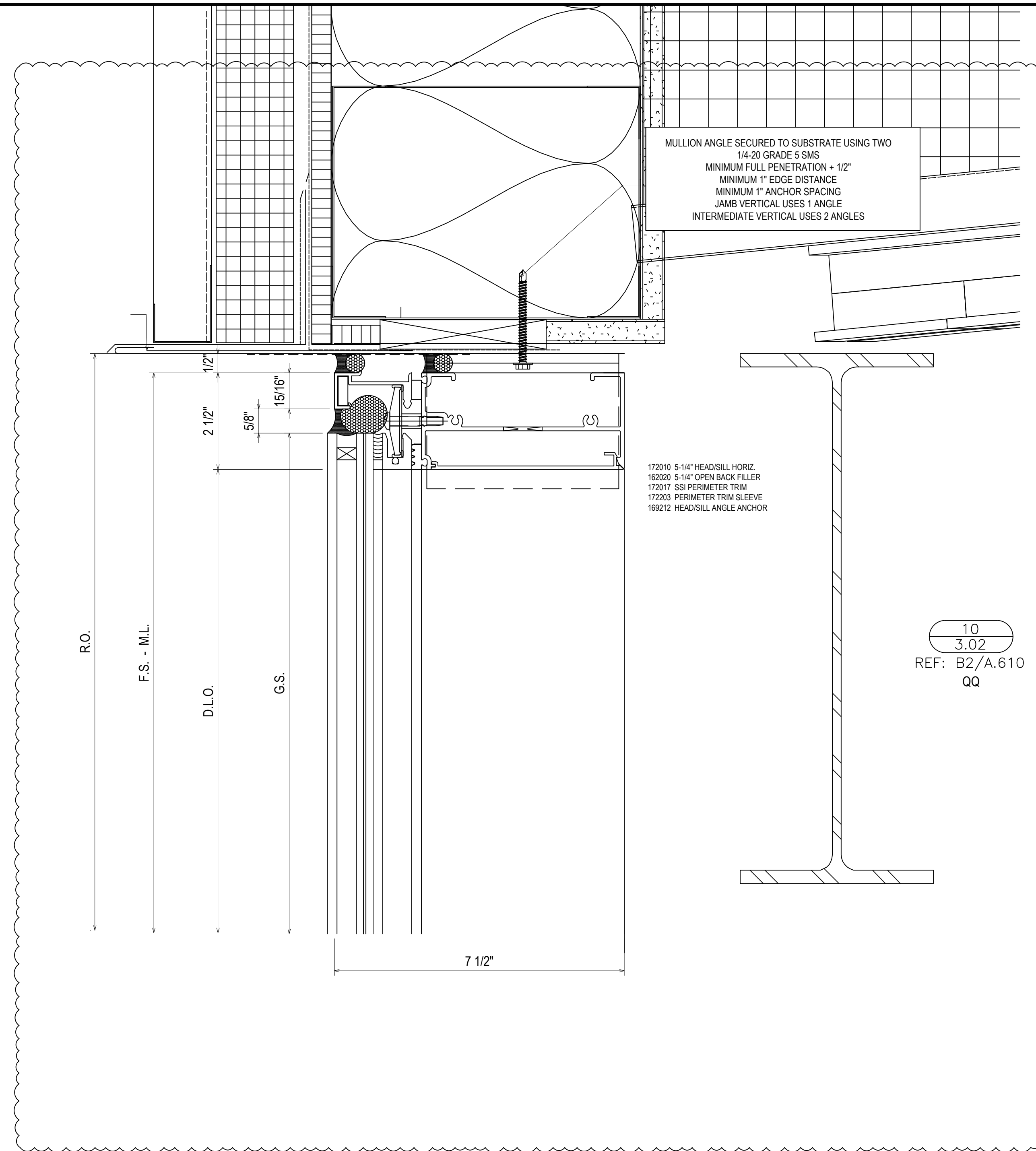
MULLION ANGLE SECURED TO SUBSTRATE USING TWO
1/4-20 GRADE 5 SMS
MINIMUM FULL PENETRATION + 1/2"
MINIMUM 1" EDGE DISTANCE
MINIMUM 1" ANCHOR SPACING
JAMB VERTICAL USES 1 ANGLE
INTERMEDIATE VERTICAL USES 2 ANGLES



9
3.02
REF: A2/A.845
MM

- 172010 5-1/4" HEAD/SILL HORIZONTAL
- 162020 5-1/4" OPEN BACK FILLER
- 172017 SSI PERIMETER TRIM
- 172203 PERIMETER TRIM SLEEVE
- 169212 HEAD/SILL ANGLE ANCHOR

MULLION ANGLE SECURED TO SUBSTRATE
USING TWO 3/8" SIMPSON STRONG TIE WEDGE ALL ANCHORS
MINIMUM 2-5/8" EMBEDMENT
MINIMUM 3-3/4" EDGE DISTANCE
MINIMUM 3" ANCHOR SPACING JAMB VERTICAL
USES 1 ANGLE INTERMEDIATE VERTICAL USES 2 ANGLES



10
3.02
REF: B2/A.610
QQ

- 172010 5-1/4" HEAD/SILL HORIZ
- 162020 5-1/4" OPEN BACK FILLER
- 172017 SSI PERIMETER TRIM
- 172203 PERIMETER TRIM SLEEVE
- 169212 HEAD/SILL ANGLE ANCHOR

MULLION ANGLE SECURED TO SUBSTRATE USING TWO
1/4-20 GRADE 5 SMS
MINIMUM FULL PENETRATION + 1/2"
MINIMUM 1" EDGE DISTANCE
MINIMUM 1" ANCHOR SPACING
JAMB VERTICAL USES 1 ANGLE
INTERMEDIATE VERTICAL USES 2 ANGLES

1ST SUBMISSION	12.16.22
1ST REVISION	04.21.23
2ND REVISION(ENGINEERING)	06.07.23
NO	DATE
DESCRIPTION	DRAWING SUBMISSION

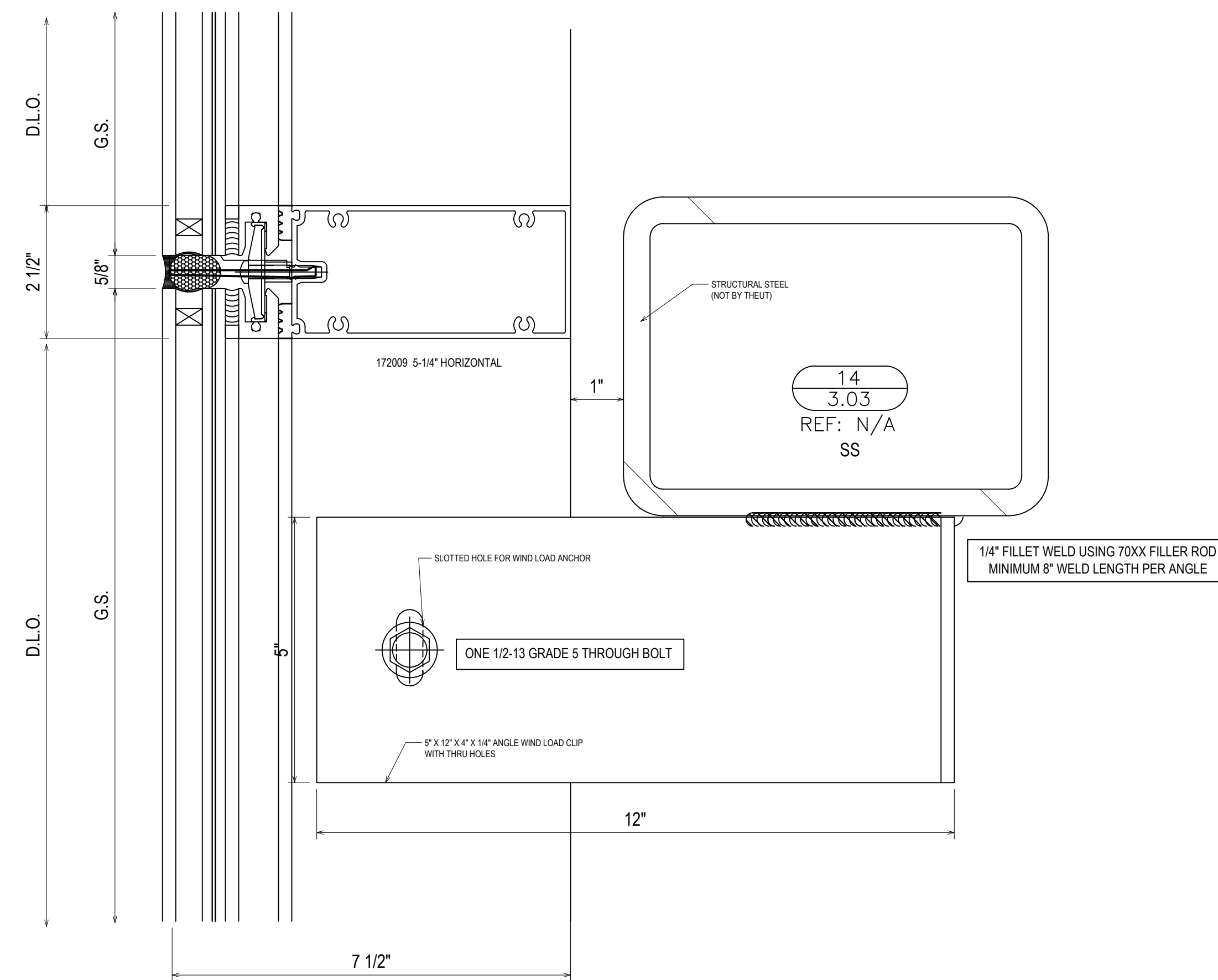
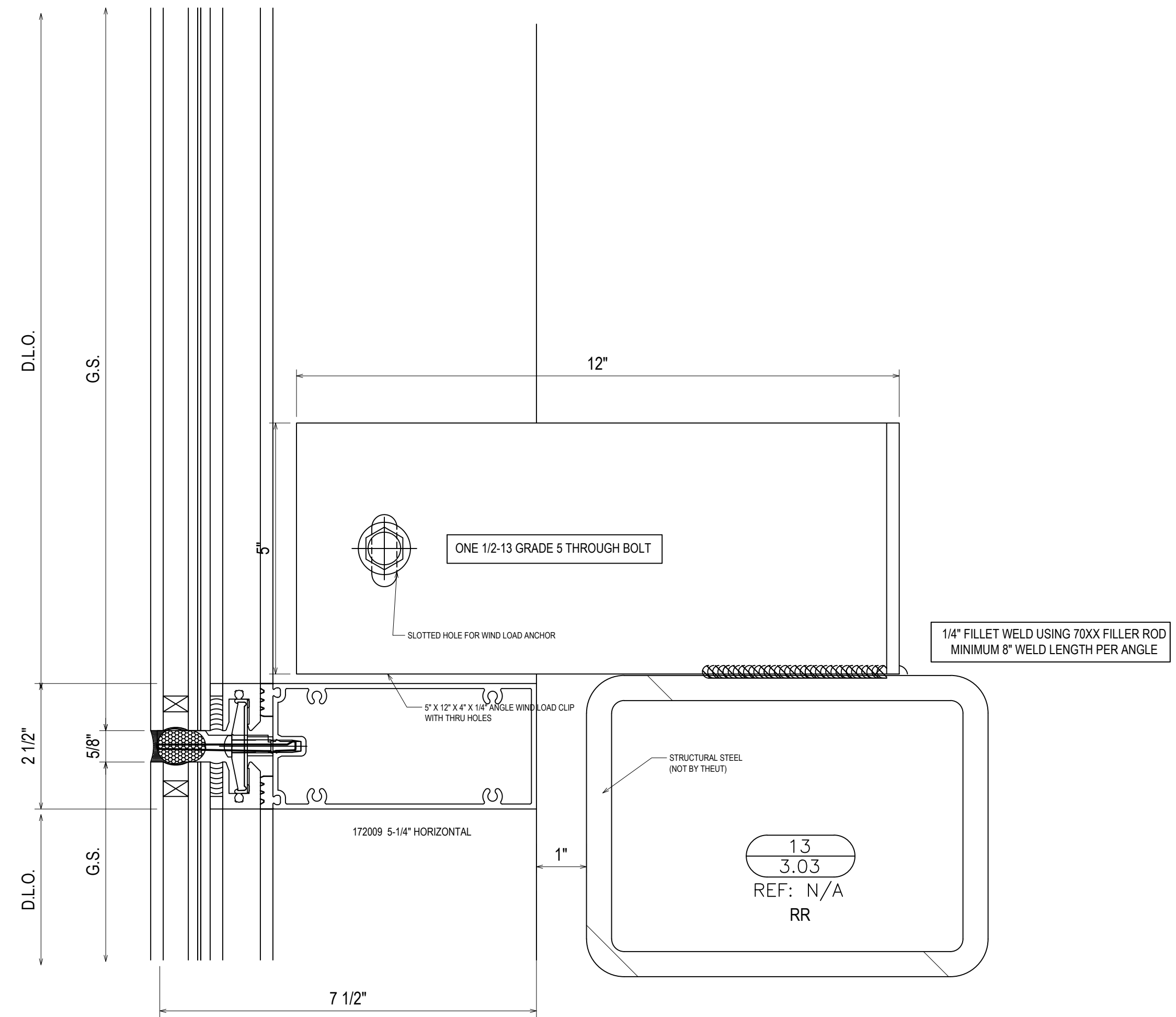
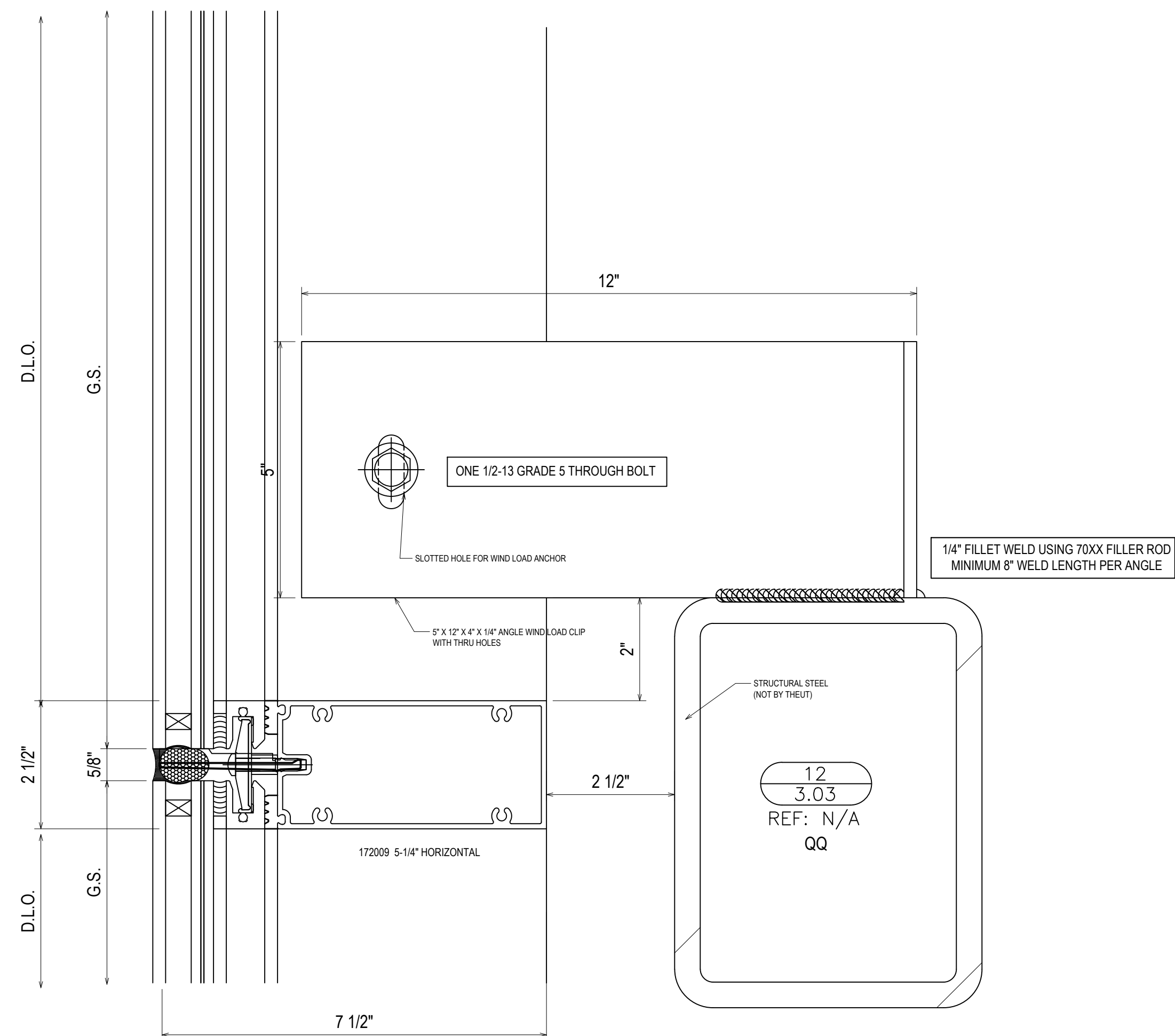
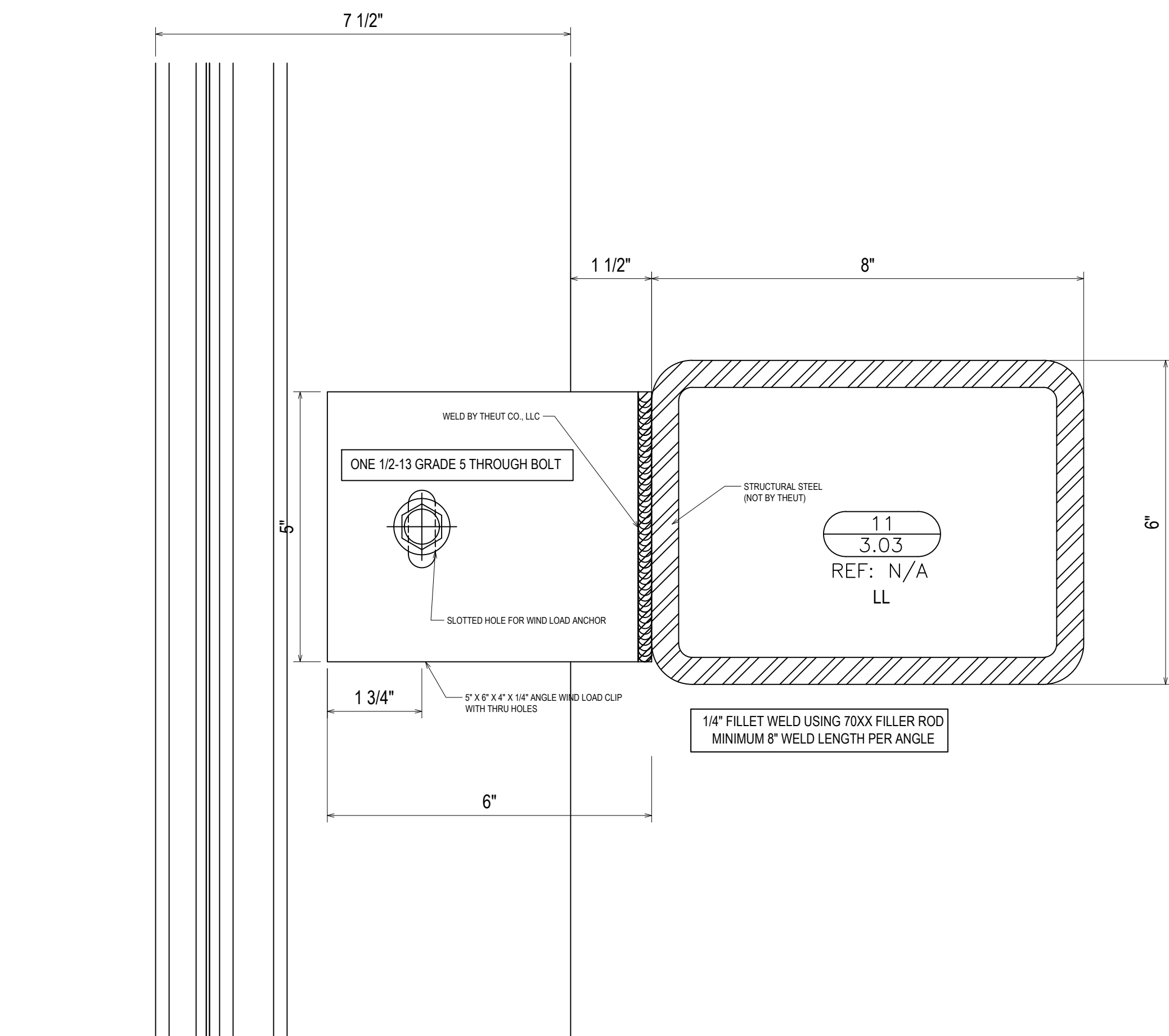
THE THEUT COMPANY, LLC
P.O. BOX 894
1317 BUSINESS 71 N
COLUMBUS, TX 78934
P: 979.732.2201

PROJECT: DR. SHANNON WALKER
NEIGHBORHOOD LIBRARY

LOCATION: 5505 BELROSE DRIVE
HOUSTON, TX 77035

DRAWN BY:	DATE:
CW	12.16.22
CHECKED BY:	DATE:
ST	12.16.22

3.02



12.16.22	1ST SUBMISSION
04.21.23	1ST REVISION
06.07.23	2ND REVISION(ENGINEERING)
	NO
	DESCRIPTION
	DATE
	DRAWING SUBMISSION

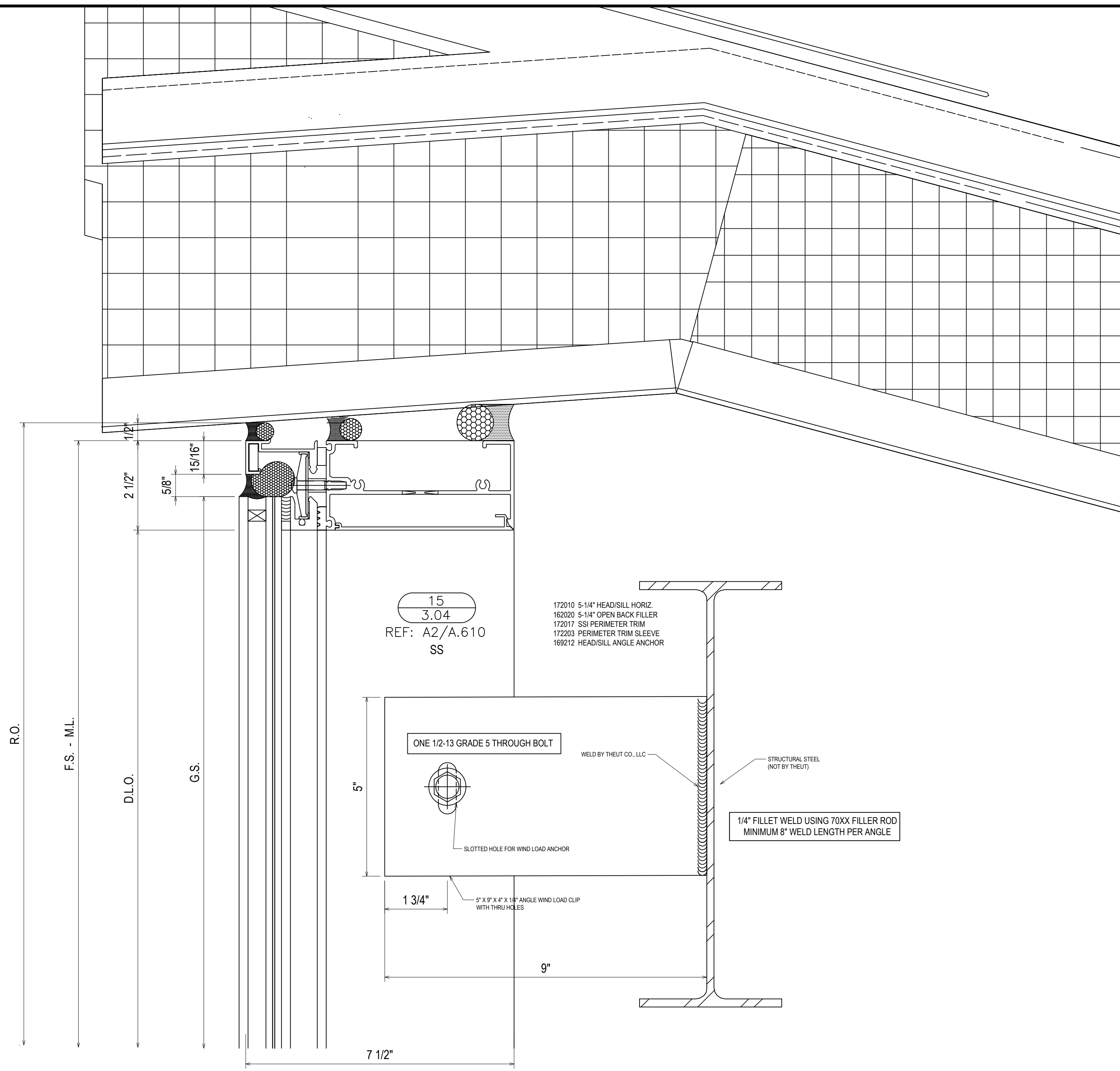
THE THEUT COMPANY, LLC
P.O. BOX 894
1317 BUSINESS 71 N
COLUMBUS, TX 78934
P: 979.732.2201

PROJECT: DR. SHANNON WALKER
NEIGHBORHOOD LIBRARY

LOCATION: 5505 BELROSE DRIVE
HOUSTON, TX 77035

DRAWN BY: CW	DATE: 12.16.22
CHECKED BY: ST	DATE: 12.16.22

3.03



172010 5-1/4" HEAD/SILL HORIZ
 162020 5-1/4" OPEN BACK FILLER
 172017 SSI PERIMETER TRIM
 172203 PERIMETER TRIM SLEEVE
 169212 HEAD/SILL ANGLE ANCHOR

15
 3.04
 REF: A2/A.610
 SS

ONE 1/2-13 GRADE 5 THROUGH BOLT

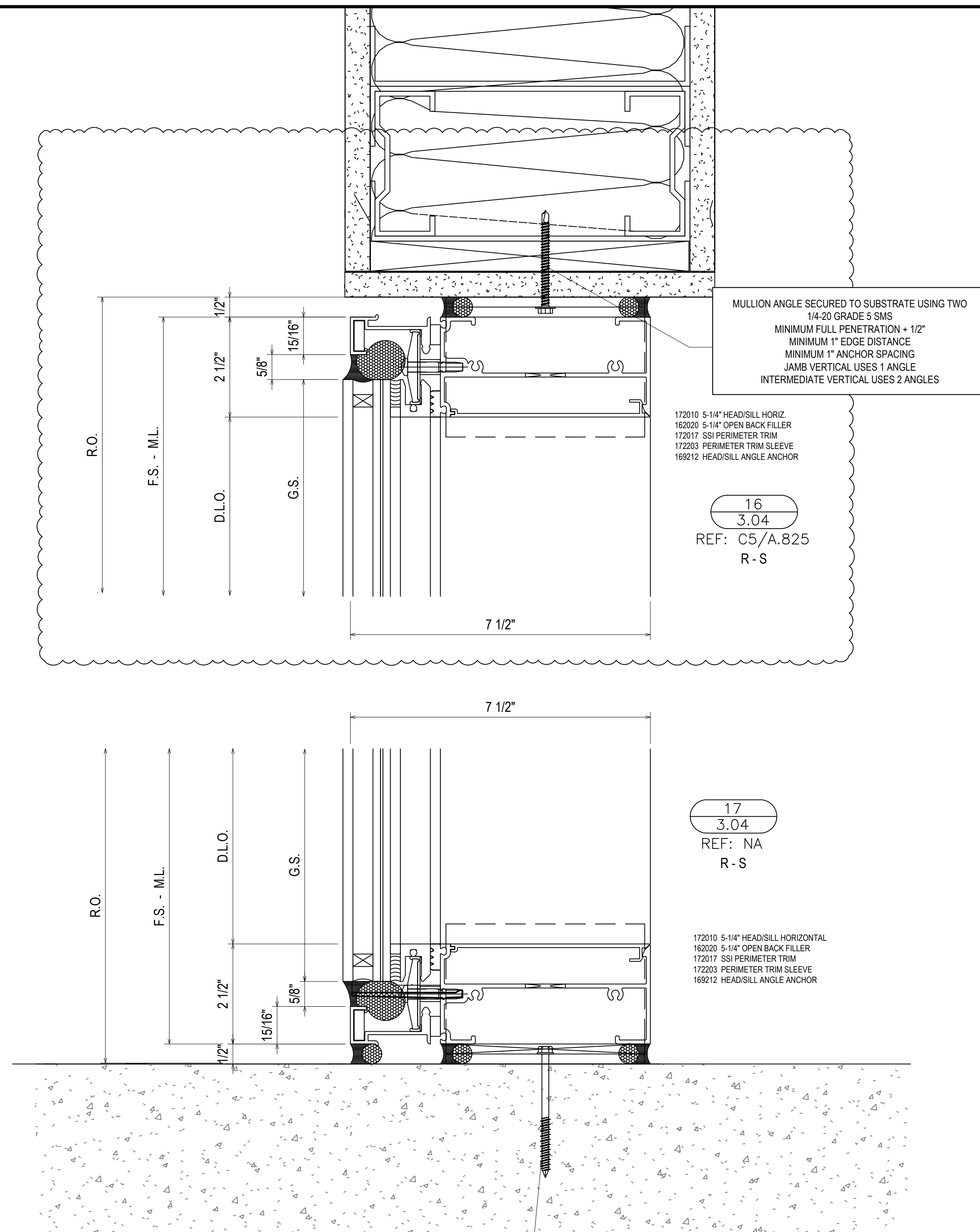
WELD BY THEUT CO. LLC

STRUCTURAL STEEL
 (NOT BY THEUT)

1/4" FILLET WELD USING 70XX FILLER ROD
 MINIMUM 8" WELD LENGTH PER ANGLE

SLOTTED HOLE FOR WIND LOAD ANCHOR

5" X 9" X 4" X 1/8" ANGLE WIND LOAD CLIP
 WITH THRU HOLES



MULLION ANGLE SECURED TO SUBSTRATE USING TWO
 1/4-20 GRADE 5 SMS
 MINIMUM FULL PENETRATION + 1/2"
 MINIMUM 1" EDGE DISTANCE
 MINIMUM 1" ANCHOR SPACING
 JAMB VERTICAL USES 1 ANGLE
 INTERMEDIATE VERTICAL USES 2 ANGLES

172010 5-1/4" HEAD/SILL HORIZ
 162020 5-1/4" OPEN BACK FILLER
 172017 SSI PERIMETER TRIM
 172203 PERIMETER TRIM SLEEVE
 169212 HEAD/SILL ANGLE ANCHOR

16
 3.04
 REF: C5/A.825
 R-S

17
 3.04
 REF: NA
 R-S

172010 5-1/4" HEAD/SILL HORIZONTAL
 162020 5-1/4" OPEN BACK FILLER
 172017 SSI PERIMETER TRIM
 172203 PERIMETER TRIM SLEEVE
 169212 HEAD/SILL ANGLE ANCHOR

MULLION ANGLE SECURED TO SUBSTRATE
 USING TWO 3/8" SIMPSON STRONG TIE WEDGE ALL ANCHORS
 MINIMUM 2-5/8" EMBEDMENT
 MINIMUM 3-3/4" EDGE DISTANCE
 MINIMUM 3" ANCHOR SPACING JAMB VERTICAL
 USES 1 ANGLE INTERMEDIATE VERTICAL USES 2 ANGLES

1ST SUBMISSION	12.16.22
1ST REVISION	04.21.23
2ND REVISION(ENGINEERING)	06.07.23
NO	DATE
DESCRIPTION	DRAWING SUBMISSION

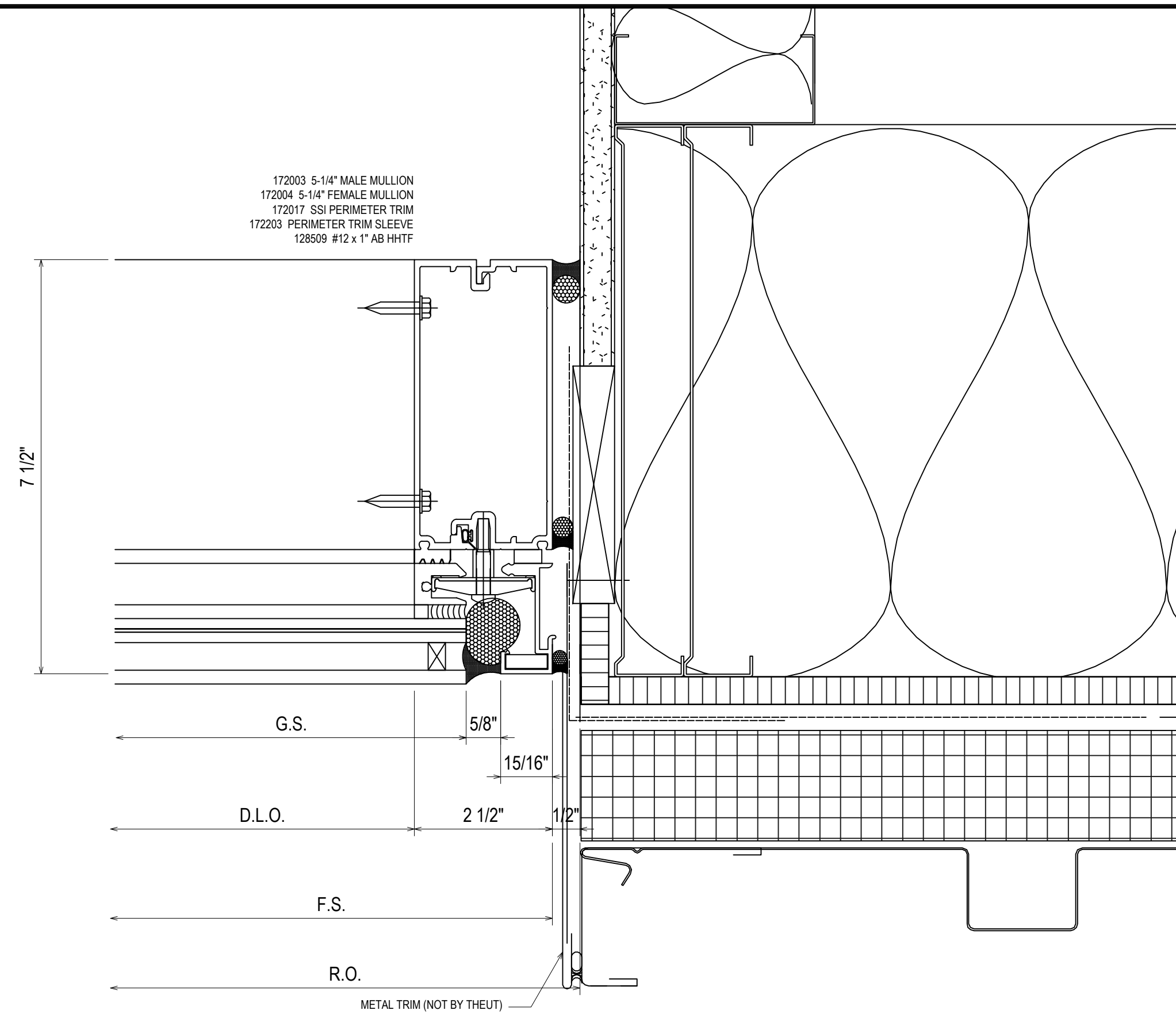
THE THEUT COMPANY, LLC
 P.O. BOX 894
 1317 BUSINESS 71 N
 COLUMBUS, TX 78934
 P: 979.732.2201

PROJECT: DR. SHANNON WALKER
 NEIGHBORHOOD LIBRARY

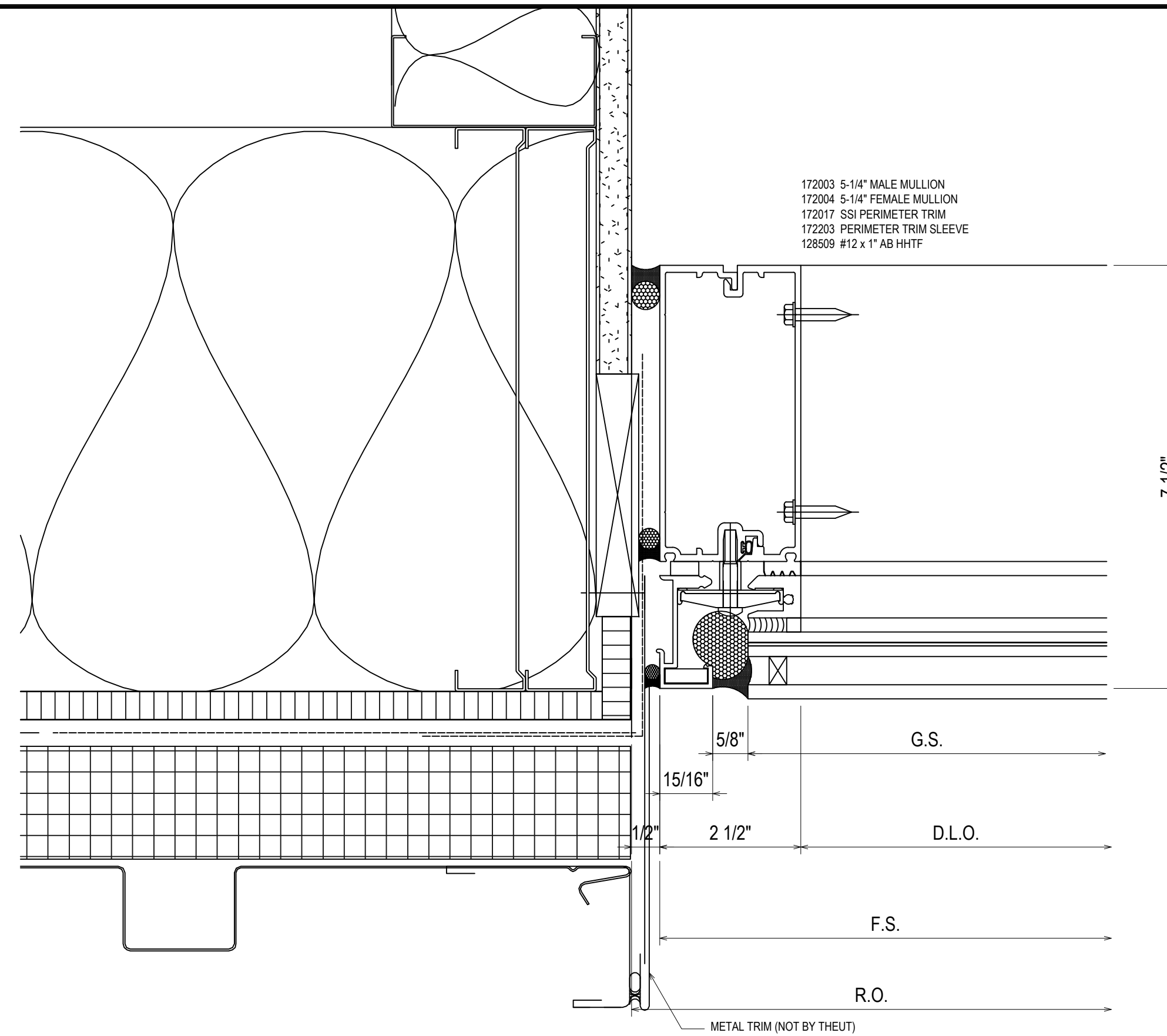
LOCATION: 5505 BELROSE DRIVE
 HOUSTON, TX 77035

DRAWN BY:	DATE:
CW	12.16.22
CHECKED BY:	DATE:
ST	12.16.22

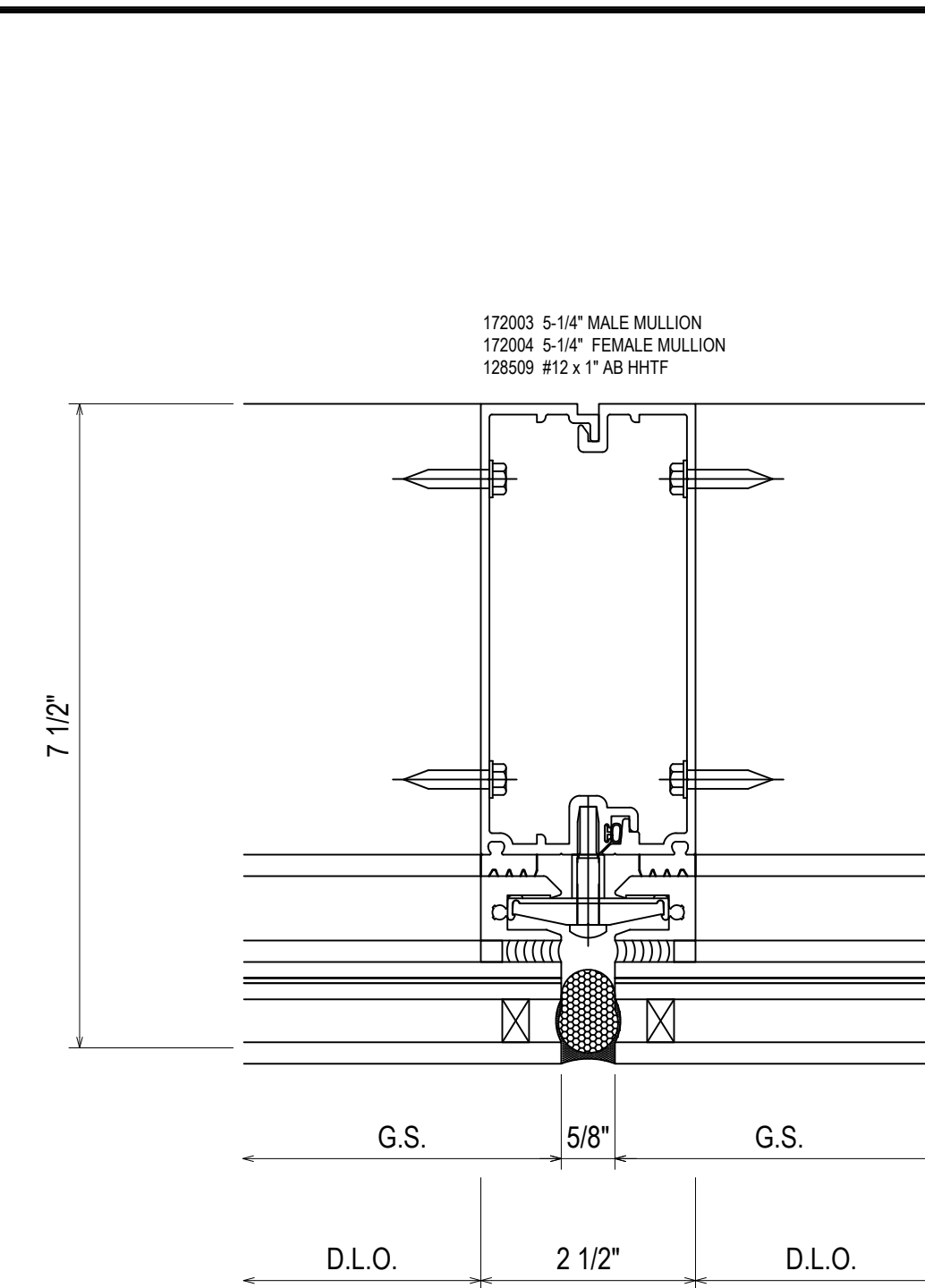
3.04



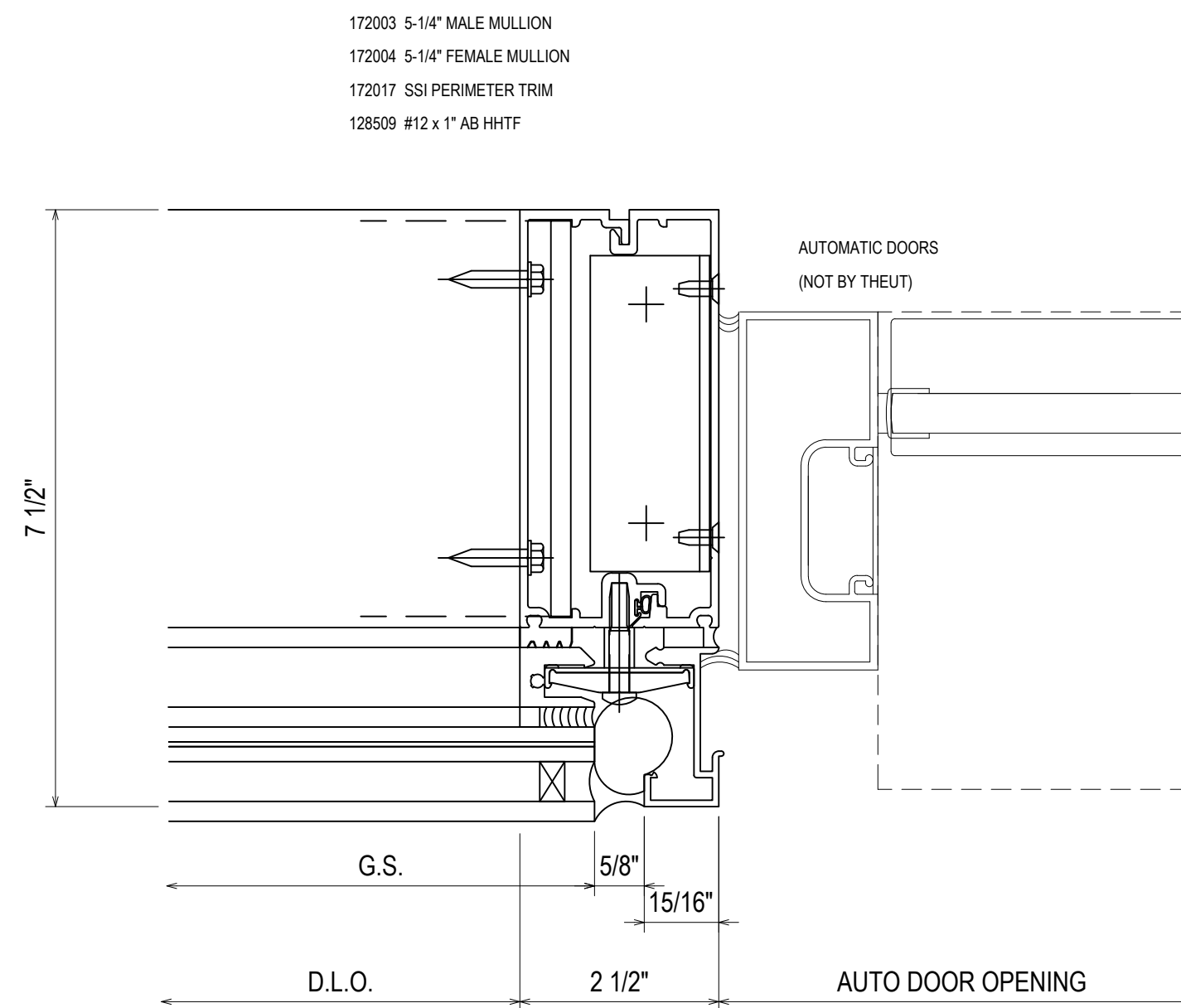
18
3.05
REF: A4/A.845
JJ - QQ



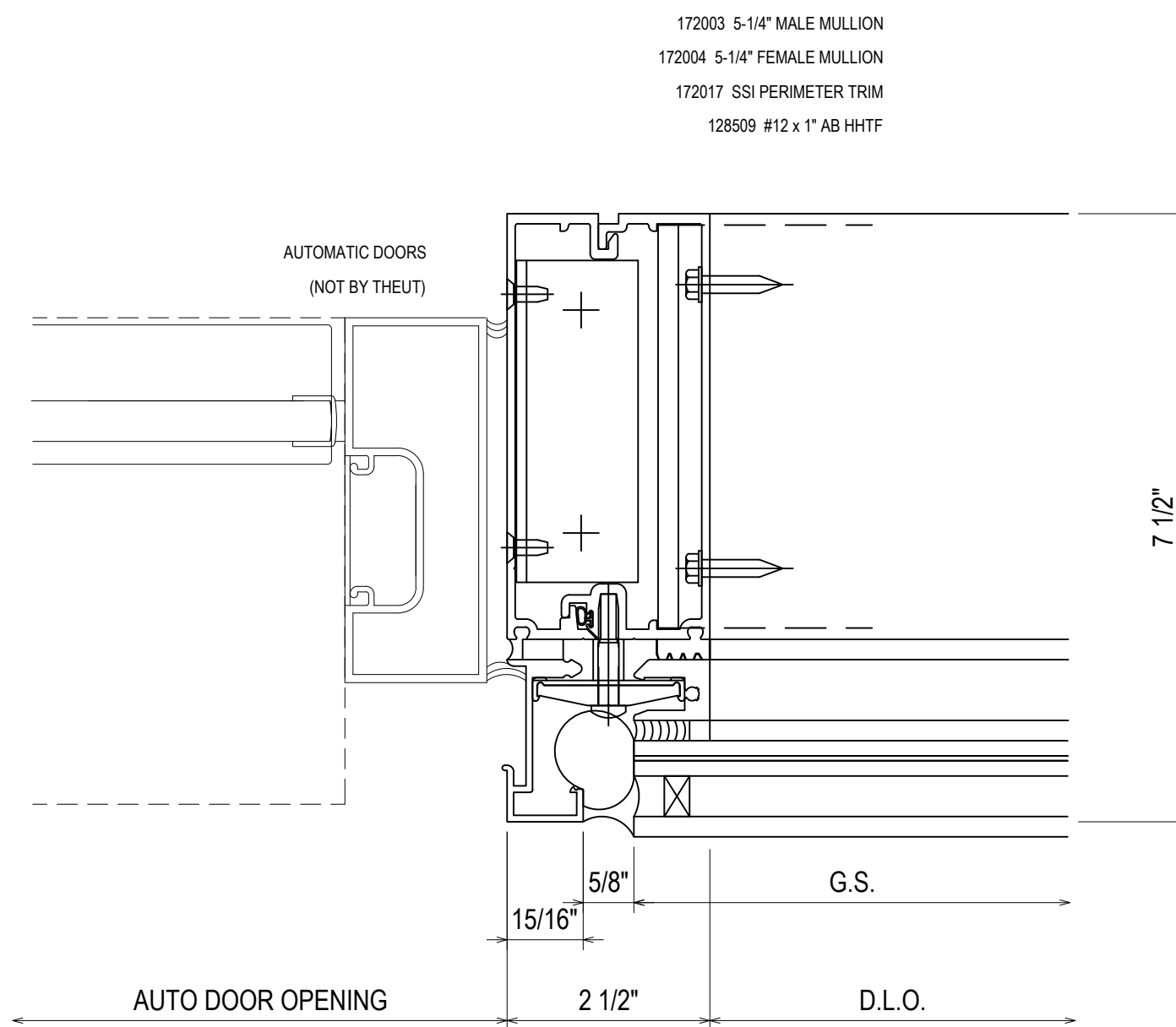
19
3.05
REF: A4/A.845
AA - KK



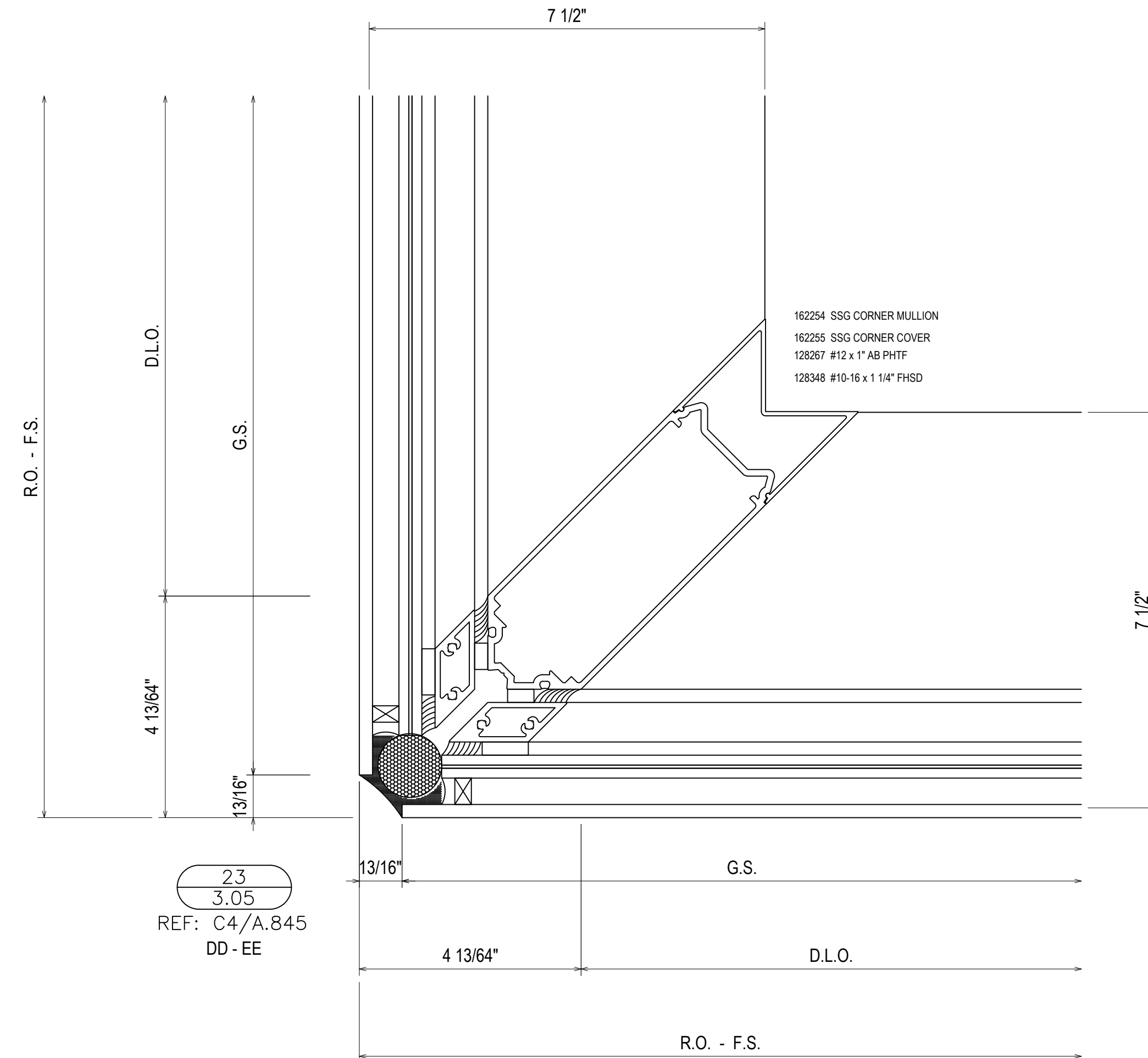
20
3.05
REF: N/A
AA - DD - EE - GG
JJ - KK - LL - MM
QQ - RR - SS - TT
UU - WW - R - S



21
3.05
REF: C4/A.602
AA



22
3.05
REF: C4/A.602
AA



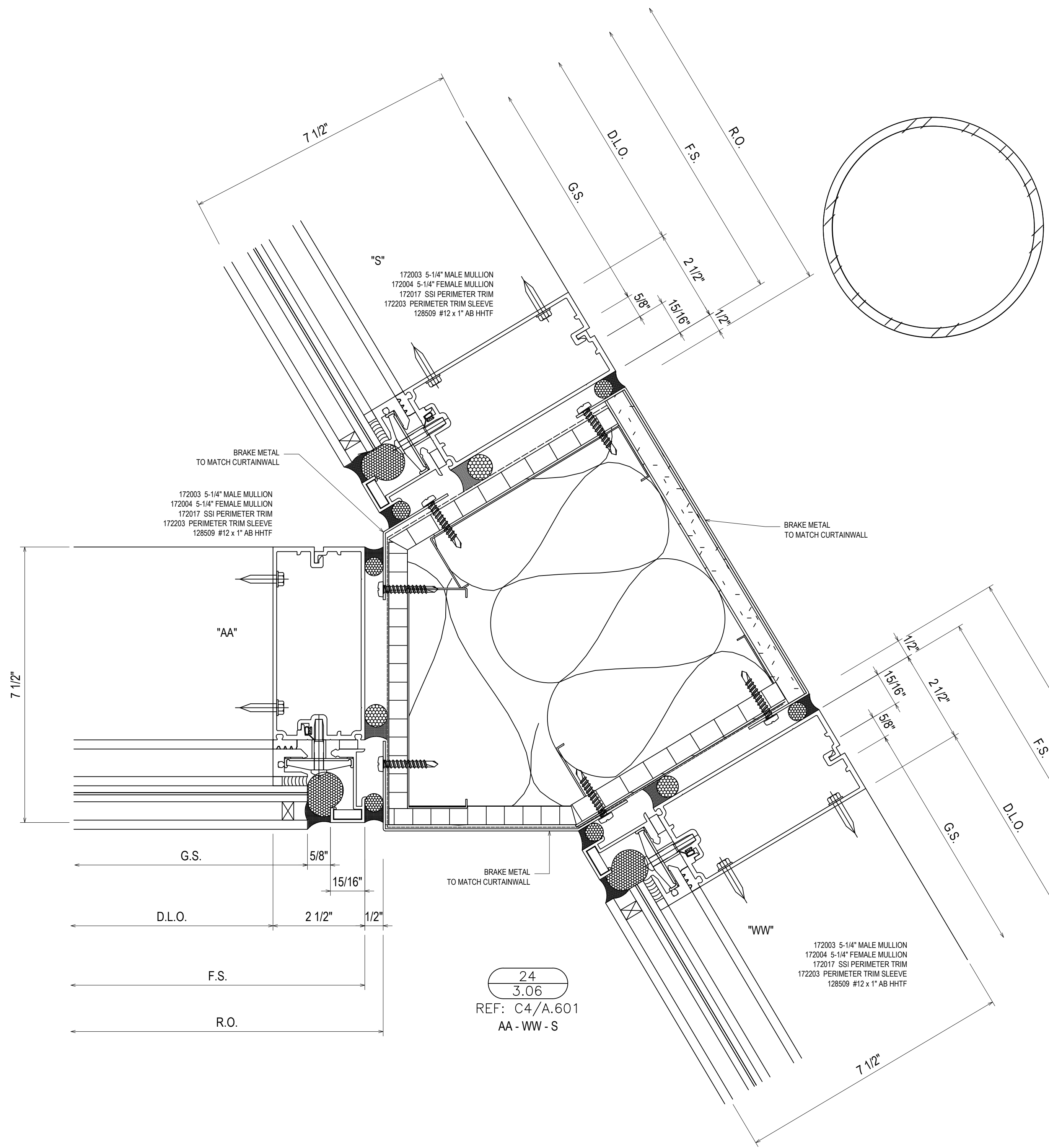
23
3.05
REF: C4/A.845
DD - EE

12.16.22	1ST SUBMISSION	
04.21.23	1ST REVISION	
06.07.23	2ND REVISION(ENGINEERING)	
	NO	DATE
	DESCRIPTION	
	DRAWING SUBMISSION	

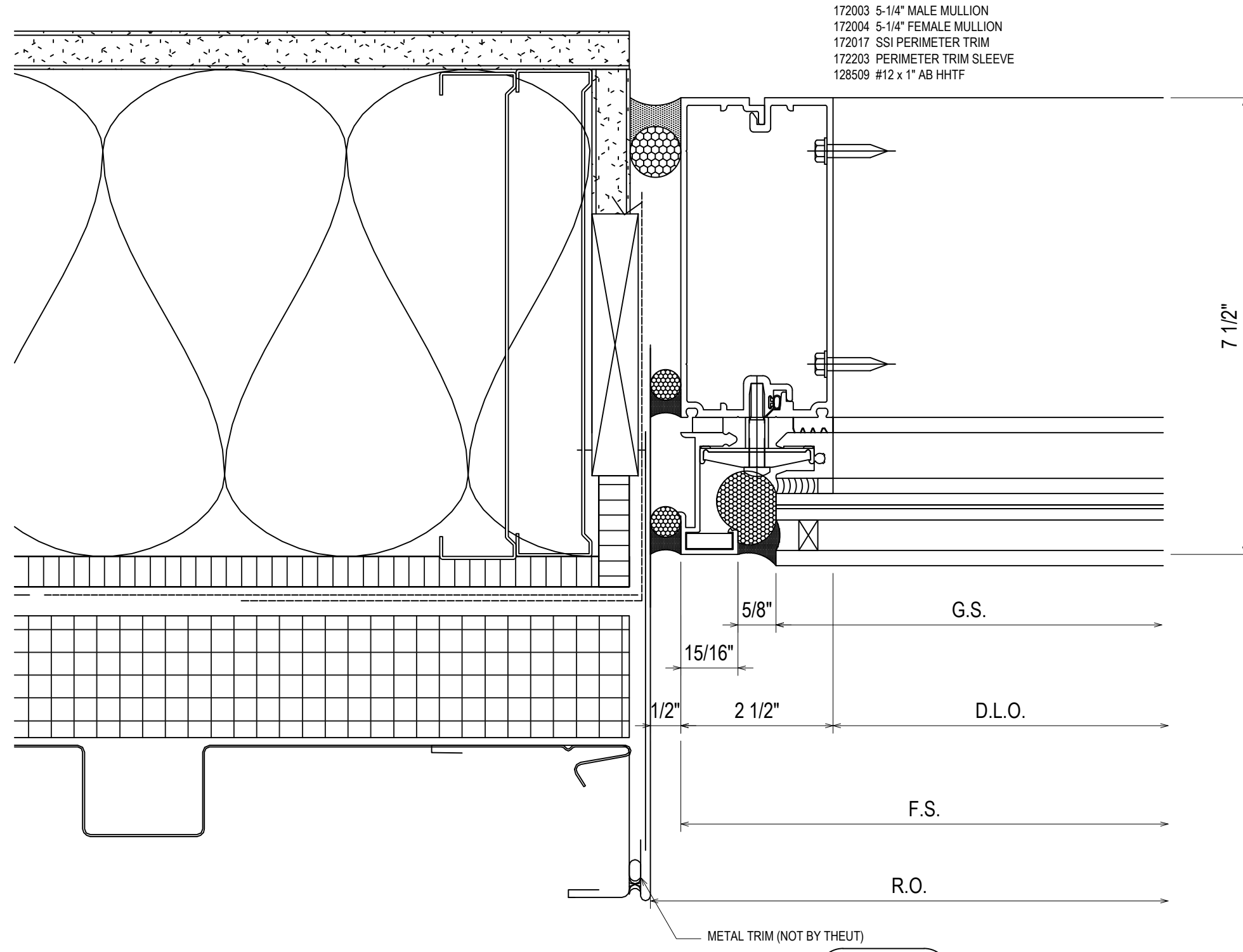
THE THEUT COMPANY, LLC
P.O. BOX 894
1317 BUSINESS 71 N
COLUMBUS, TX 78934
P: 979.732.2201

PROJECT: DR. SHANNON WALKER
NEIGHBORHOOD LIBRARY
LOCATION: 5505 BELROSE DRIVE
HOUSTON, TX 77035

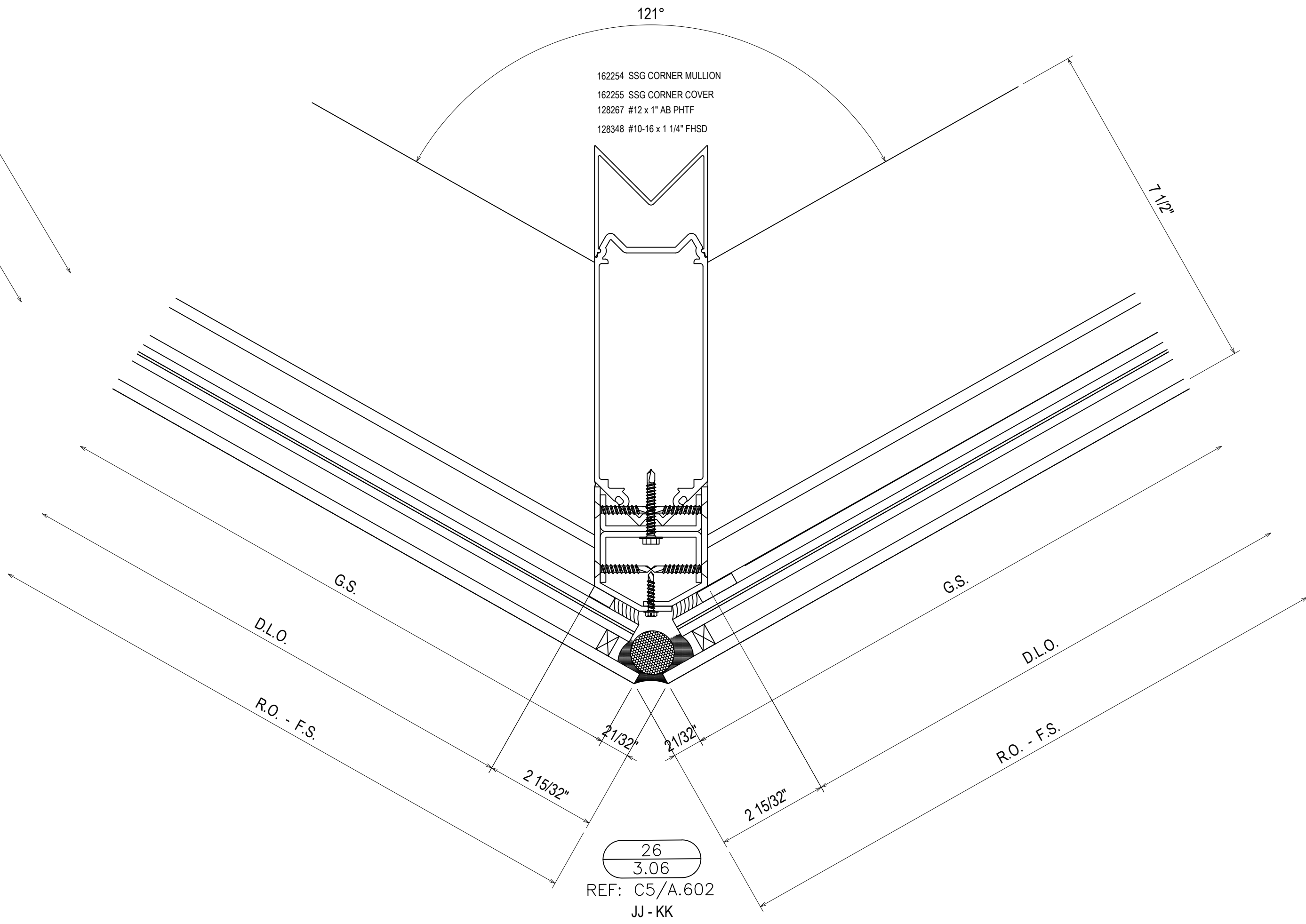
DRAWN BY:	DATE:
CW	12.16.22
CHECKED BY:	DATE:
ST	12.16.22



24
3.06
REF: C4/A.601
AA-WW-S



25
3.06
REF: A1/A.845
EE-SS-UU



26
3.06
REF: C5/A.602
JJ-KK

12.16.22	1ST SUBMISSION
04.21.23	1ST REVISION
06.01.23	2ND REVISION(ENGINEERING)
	NO
	DESCRIPTION
	DATE
	DRAWING SUBMISSION

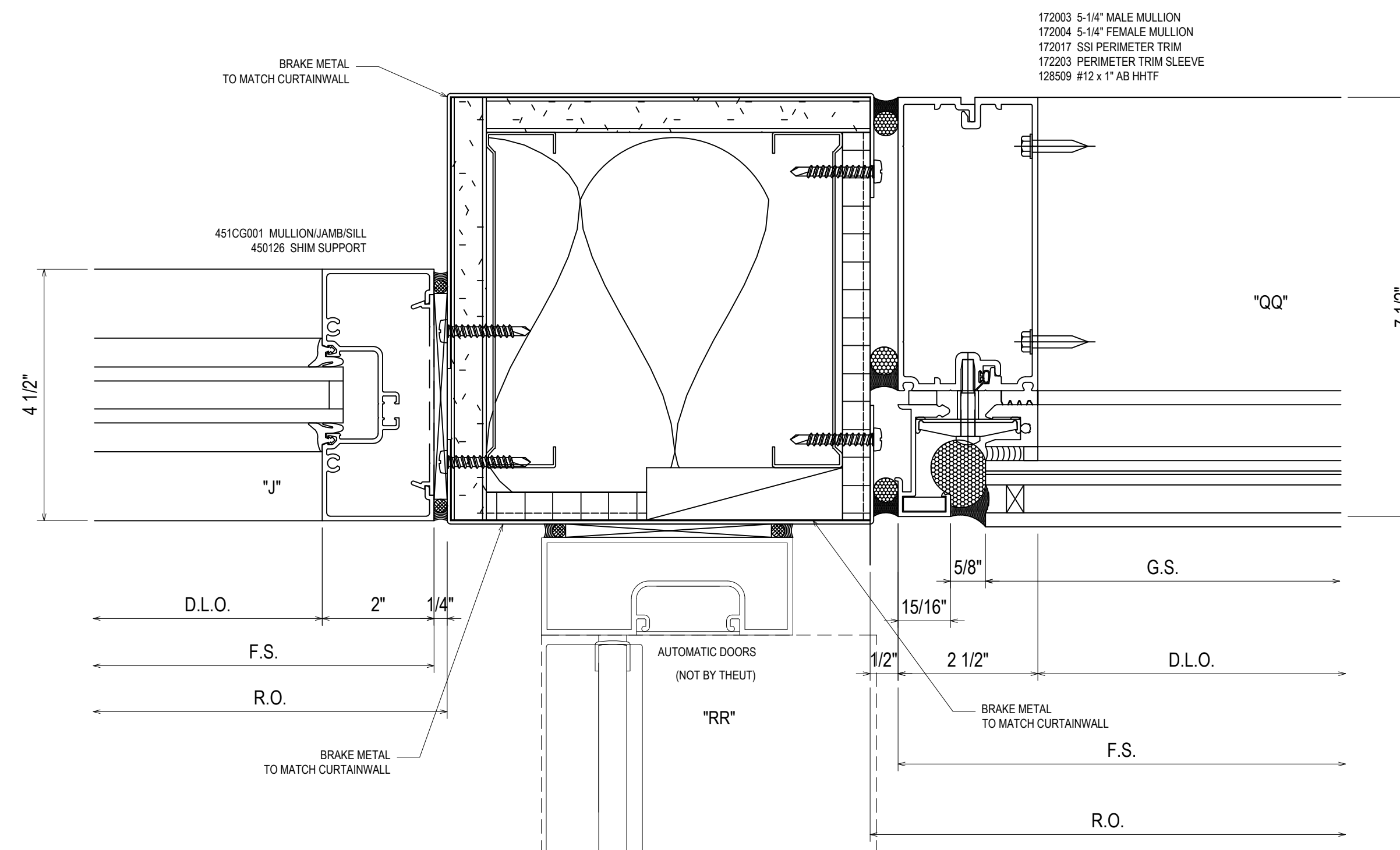
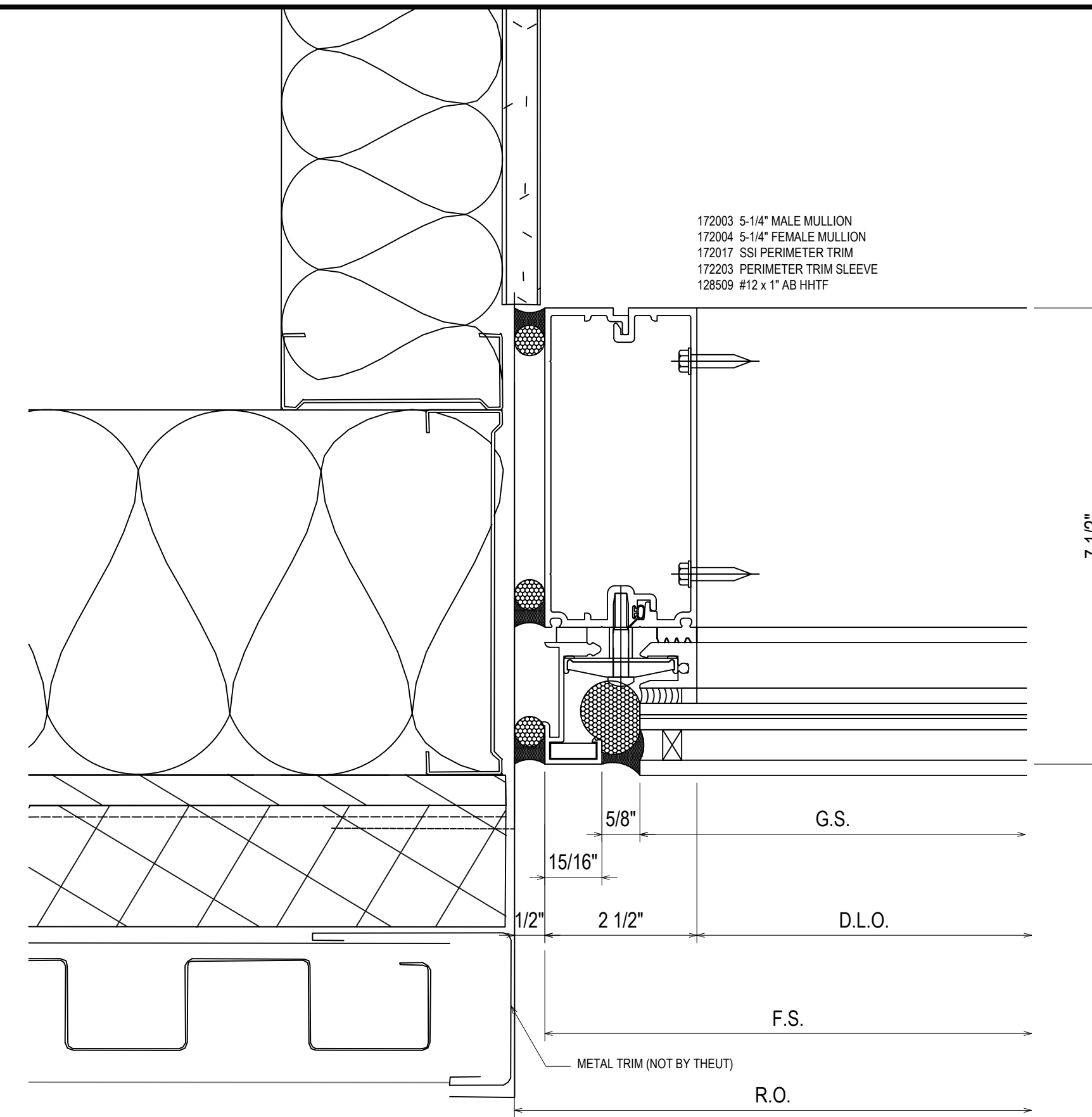
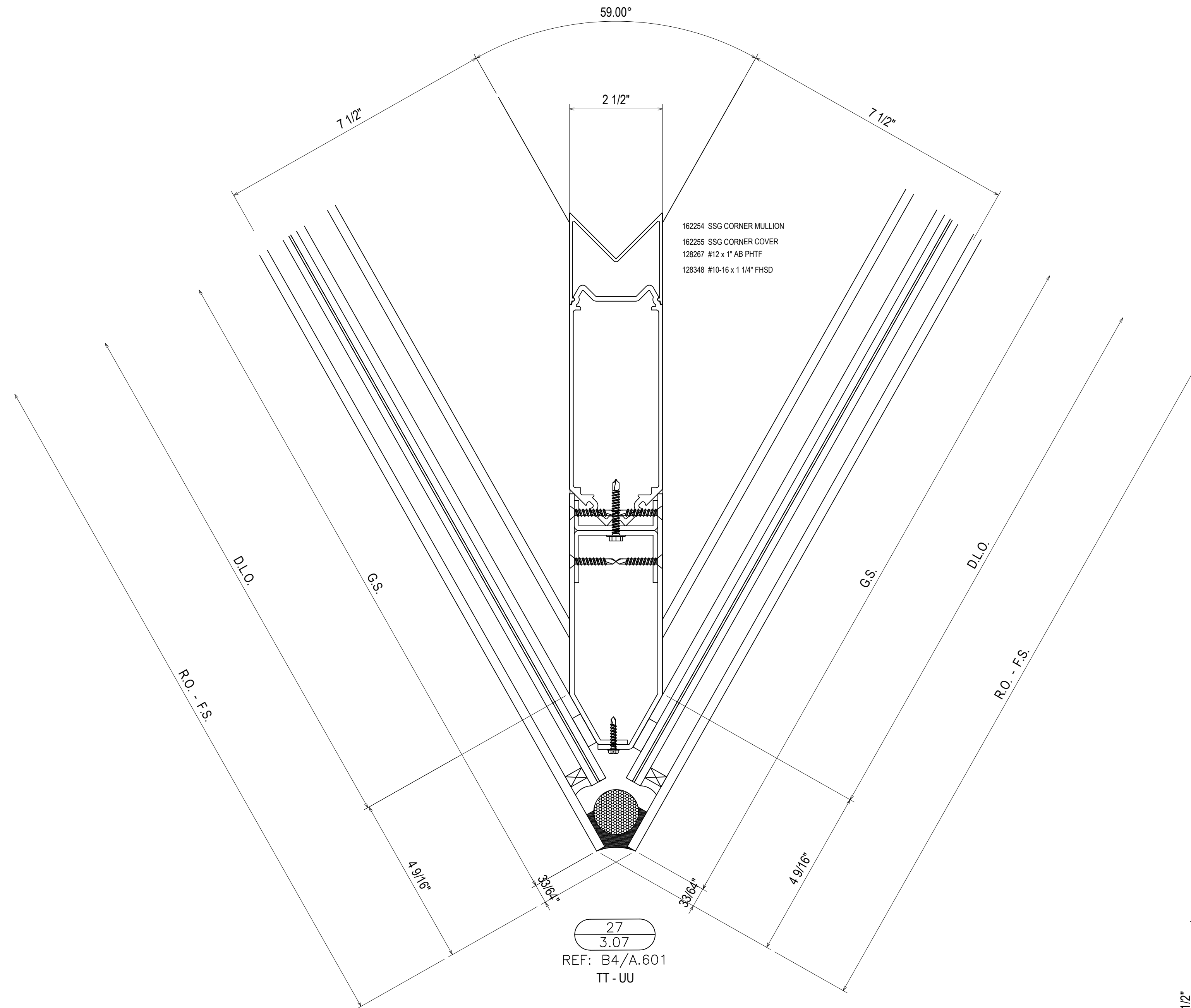
THE THEUT COMPANY, LLC
P.O. BOX 894
1317 BUSINESS 71 N
COLUMBUS, TX 78934
P: 979.732.2201

PROJECT: DR. SHANNON WALKER
NEIGHBORHOOD LIBRARY

LOCATION: 5505 BELROSE DRIVE
HOUSTON, TX 77035

DRAWN BY:	DATE:
CW	12.16.22
CHECKED BY:	DATE:
ST	12.16.22

3.06



12.16.22	1ST SUBMISSION
04.21.23	1ST REVISION
06.07.23	2ND REVISION(ENGINEERING)
	NO
	DESCRIPTION
	DATE
	DRAWING SUBMISSION

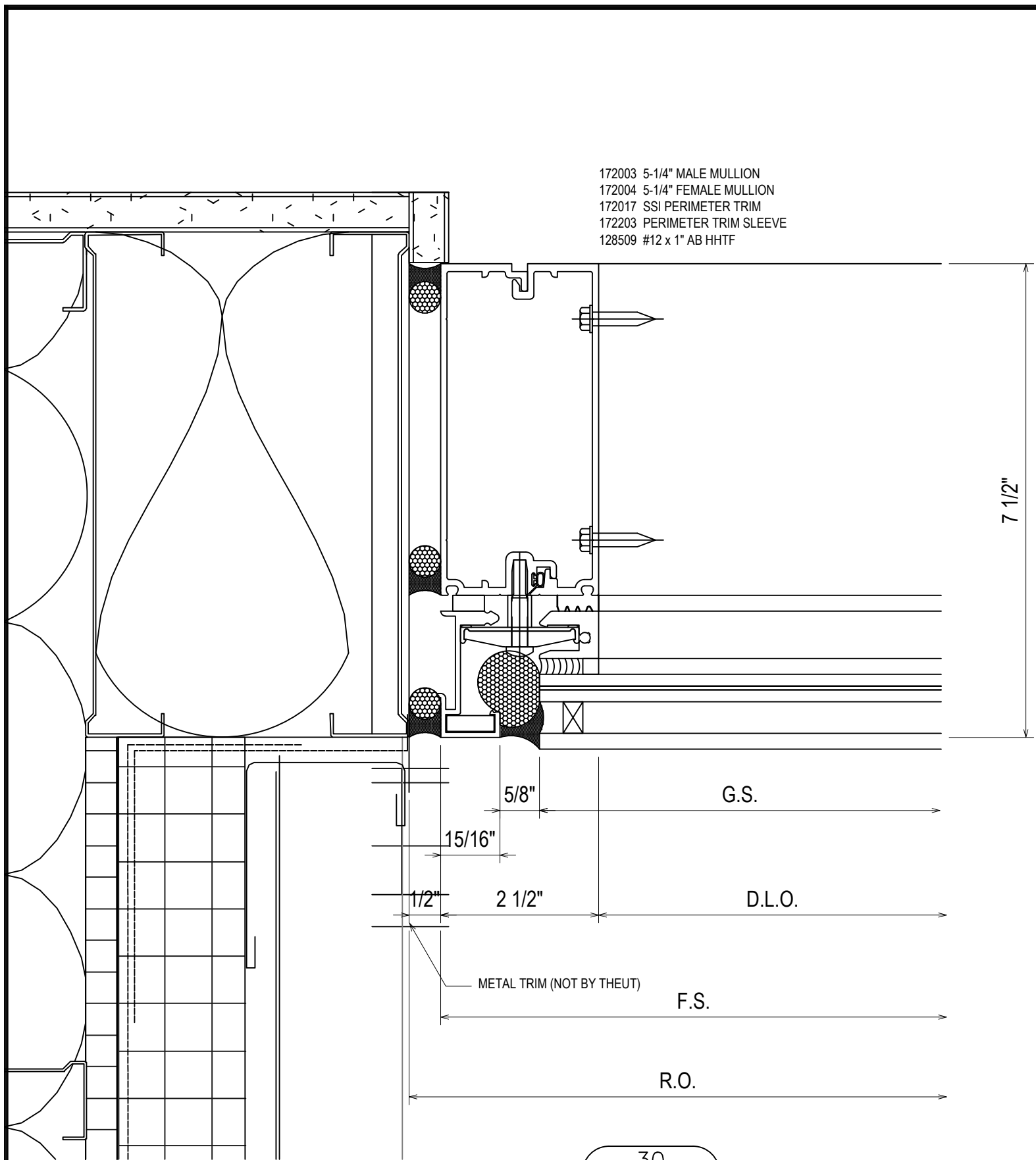
THE THEUT COMPANY, LLC
P.O. BOX 894
1317 BUSINESS 71 N
COLUMBUS, TX 78934
P: 979.732.2201

PROJECT: DR. SHANNON WALKER
NEIGHBORHOOD LIBRARY

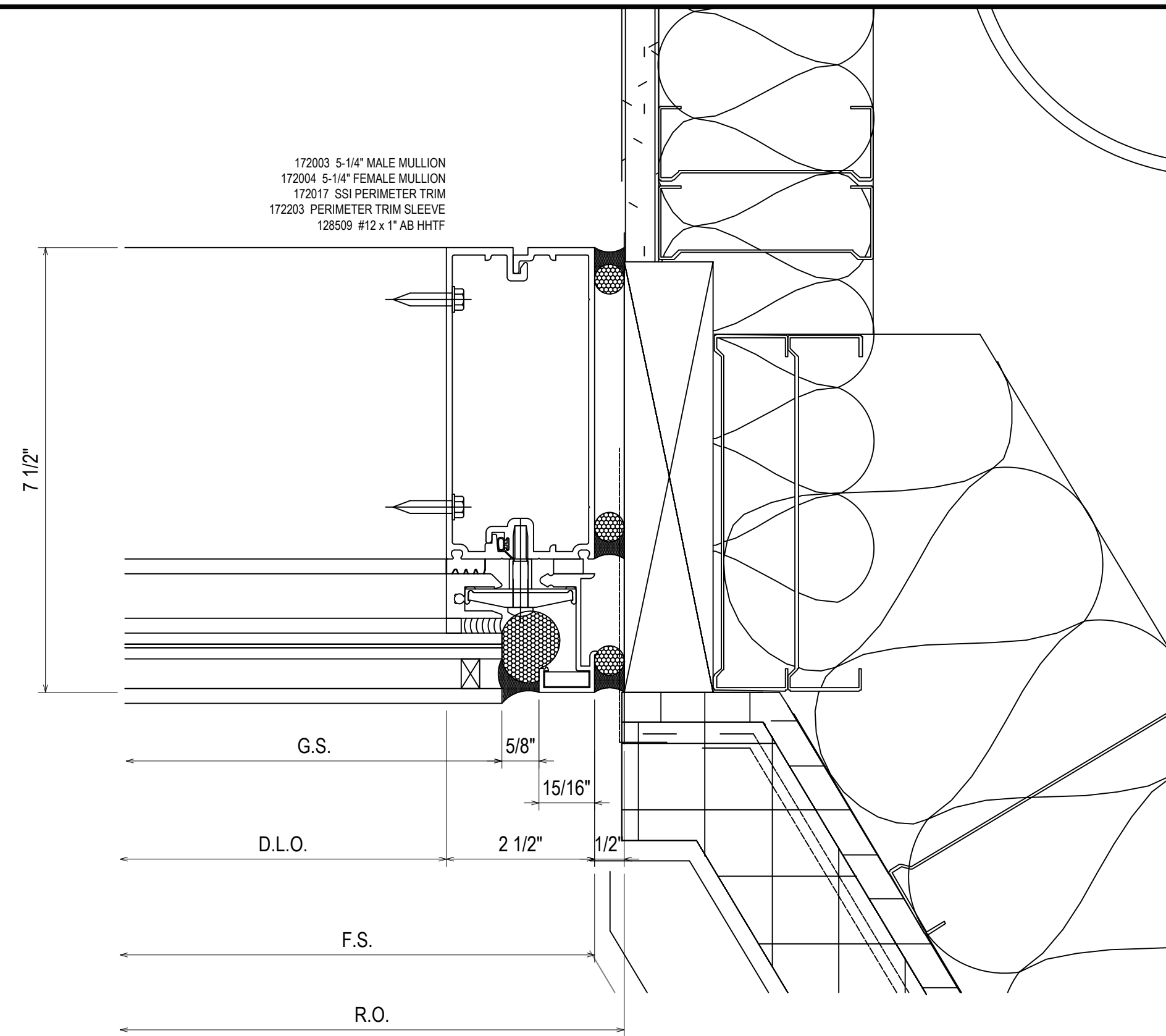
LOCATION: 5505 BELROSE DRIVE
HOUSTON, TX 77035

DRAWN BY:	DATE:
CW	12.16.22
CHECKED BY:	DATE:
ST	12.16.22

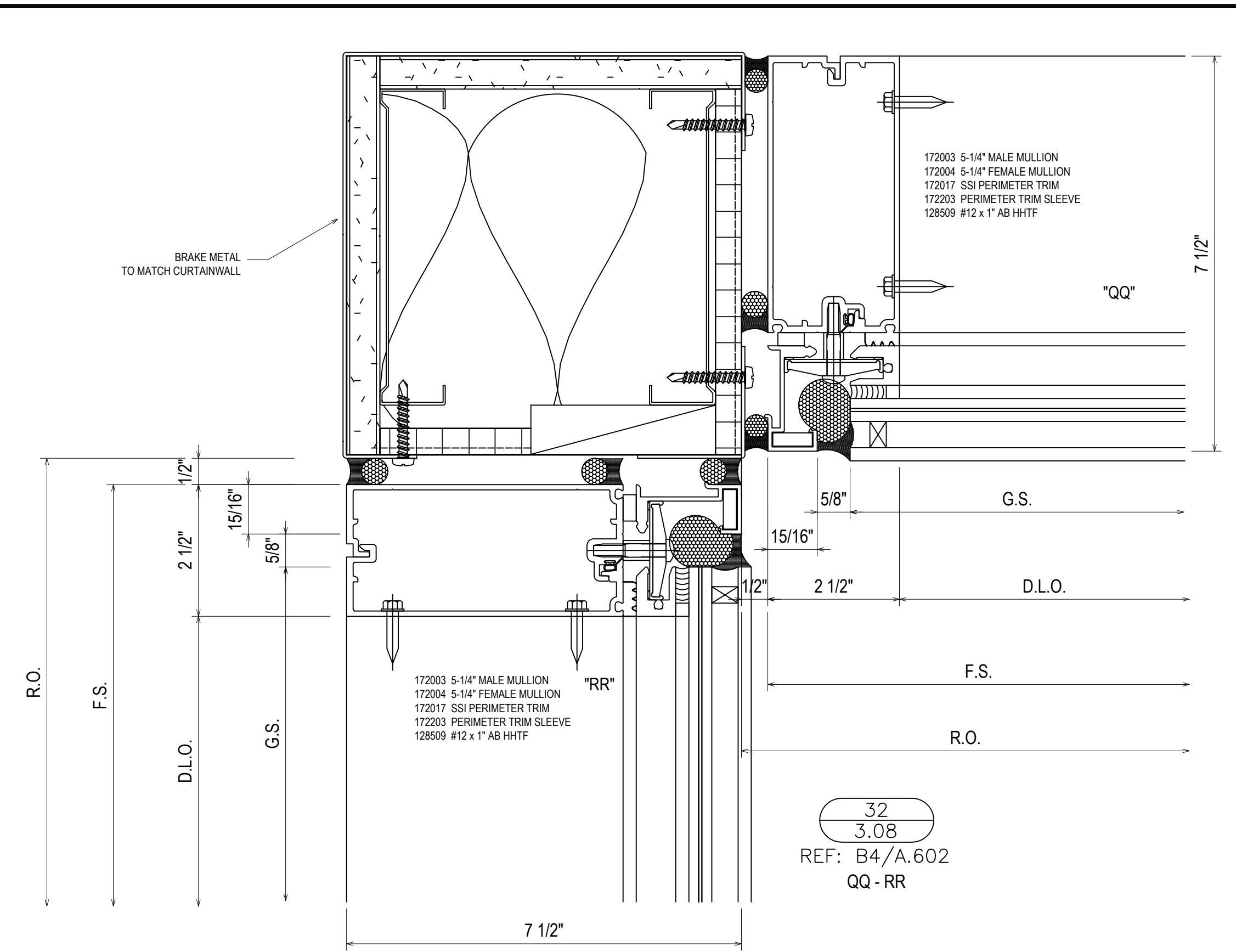
3.07



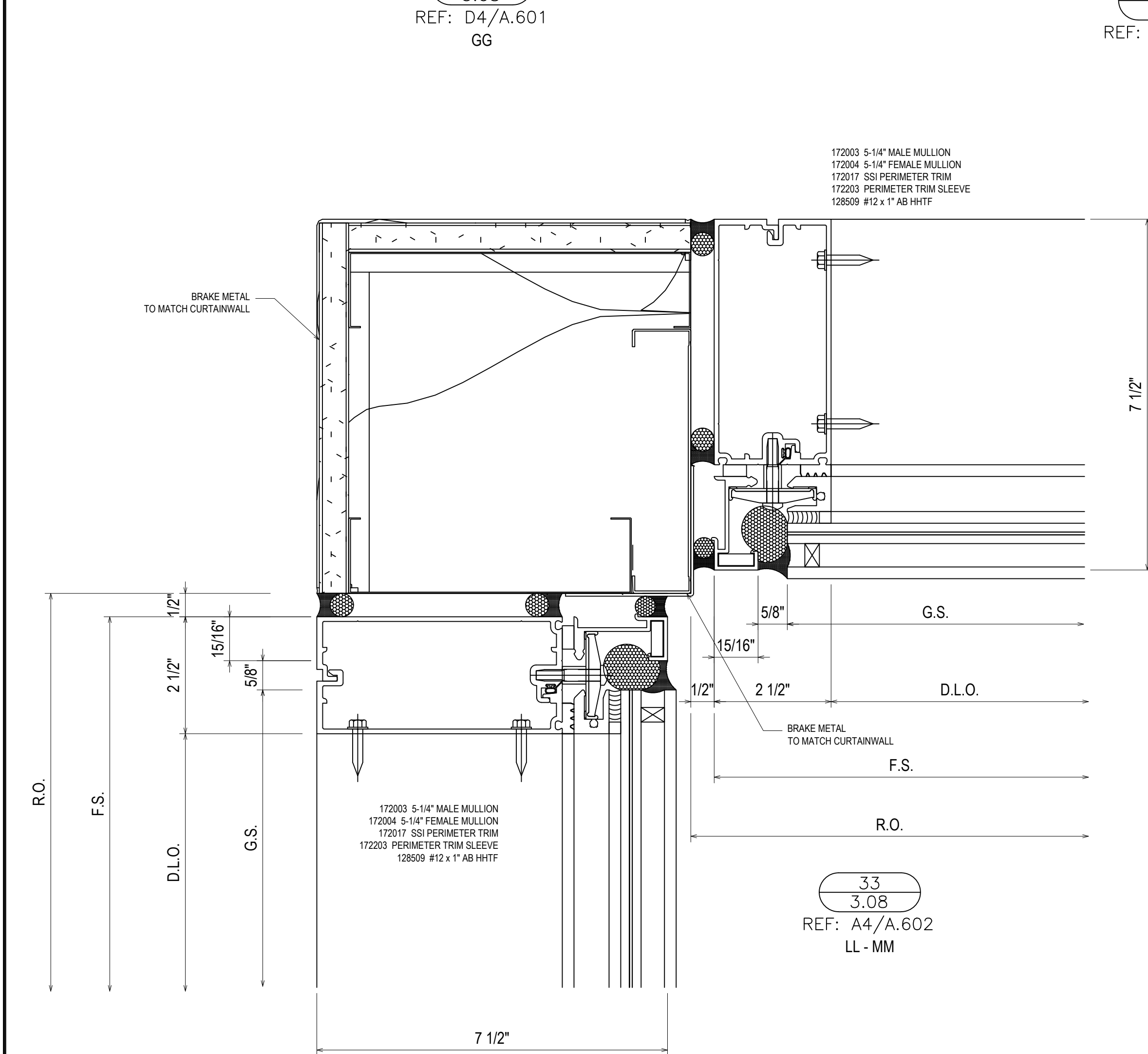
30
3.08
REF: D4/A.601
GG



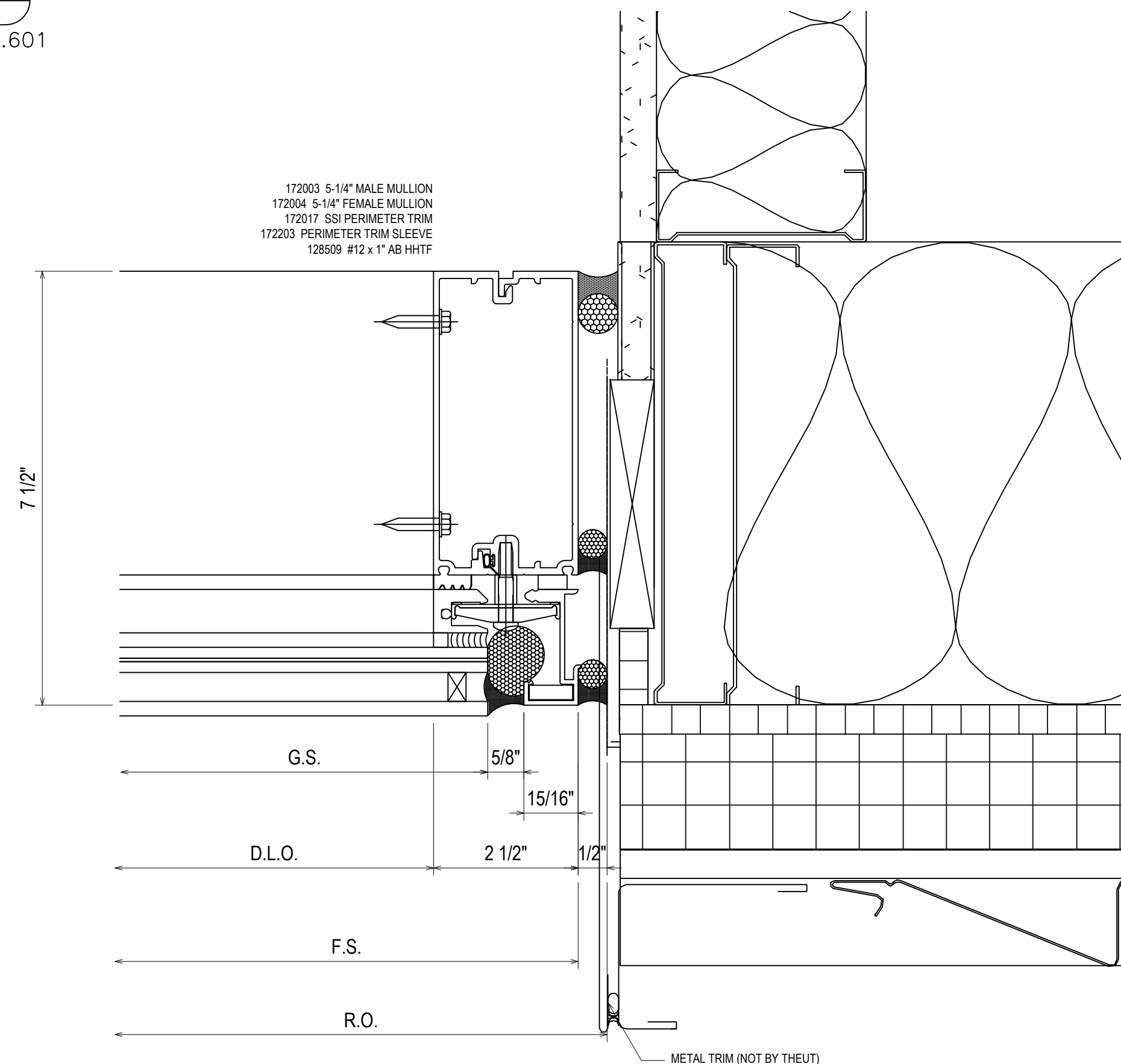
31
3.08
REF: A2/A.601
GG



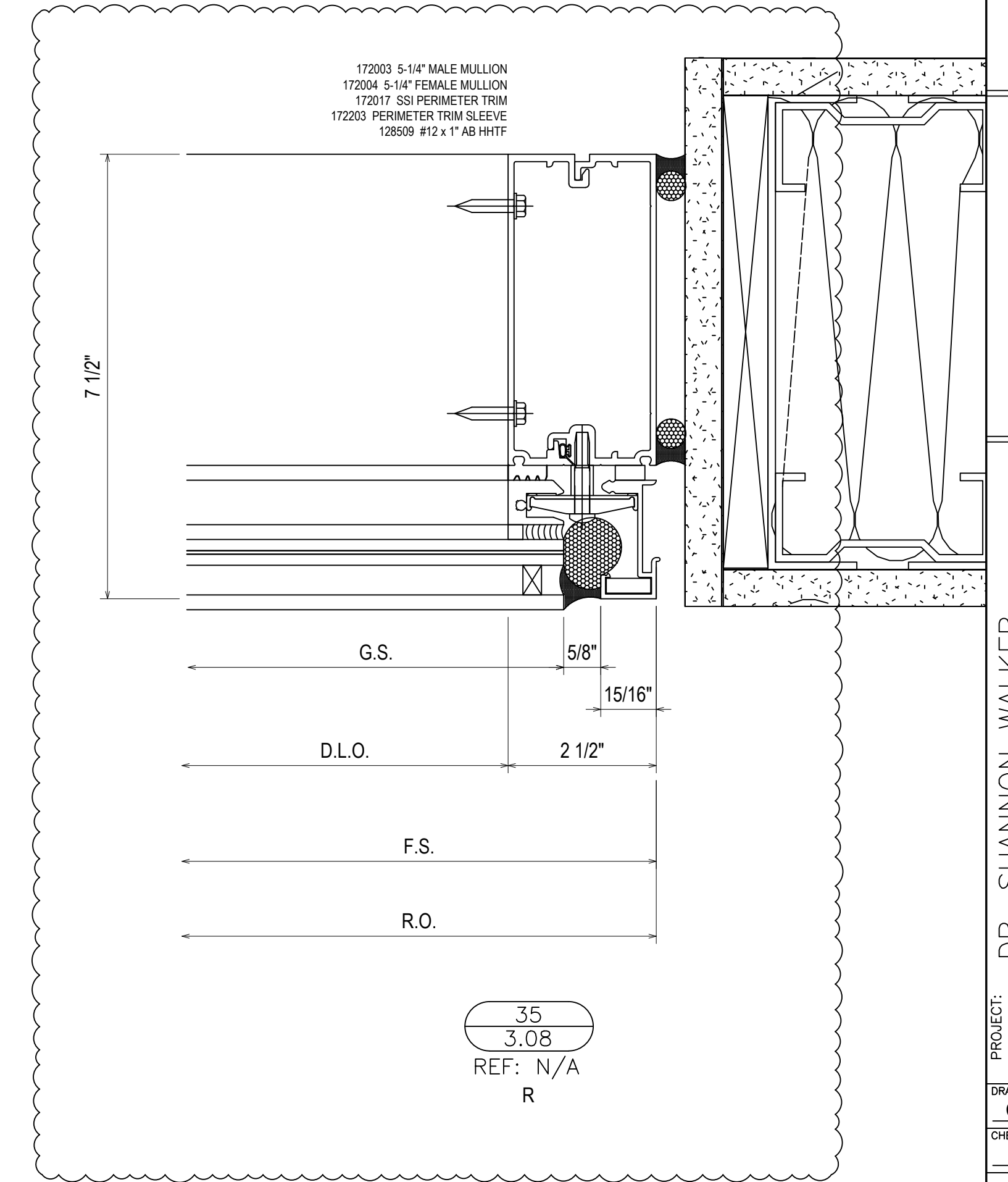
32
3.08
REF: B4/A.602
QQ-RR



33
3.08
REF: A4/A.602
LL-MM



34
3.08
REF: B1/A.603
LL



35
3.08
REF: N/A
R

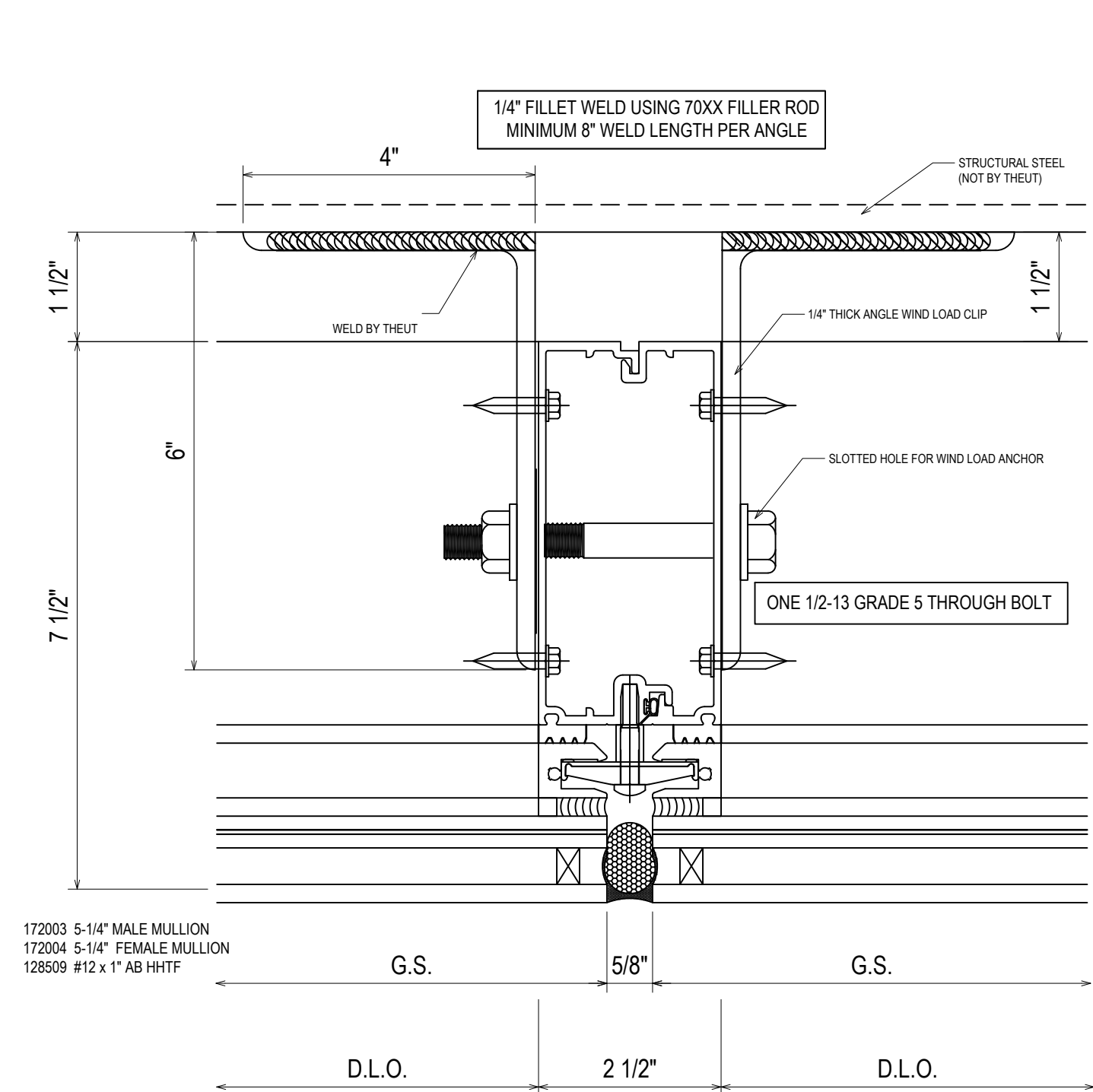
12.16.22	1ST SUBMISSION
04.21.23	1ST REVISION
06.07.23	2ND REVISION(ENGINEERING)
	NO
	DESCRIPTION
	DATE

THE THEUT COMPANY, LLC
P.O. BOX 894
1317 BUSINESS 71 N
COLUMBUS, TX 78934
P: 979.732.2201

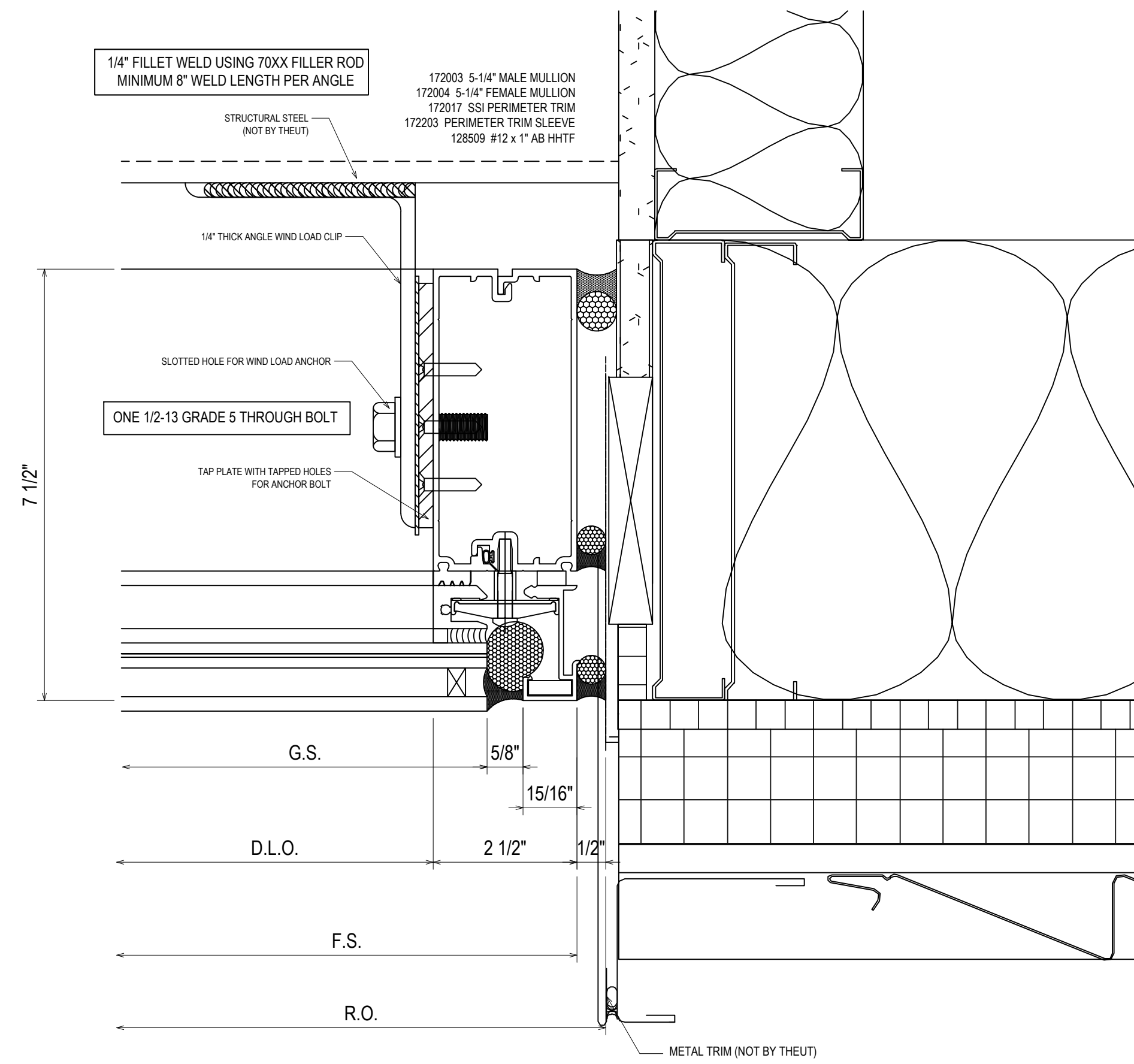
PROJECT: DR. SHANNON WALKER
NEIGHBORHOOD LIBRARY

LOCATION: 5505 BELROSE DRIVE
HOUSTON, TX 77035

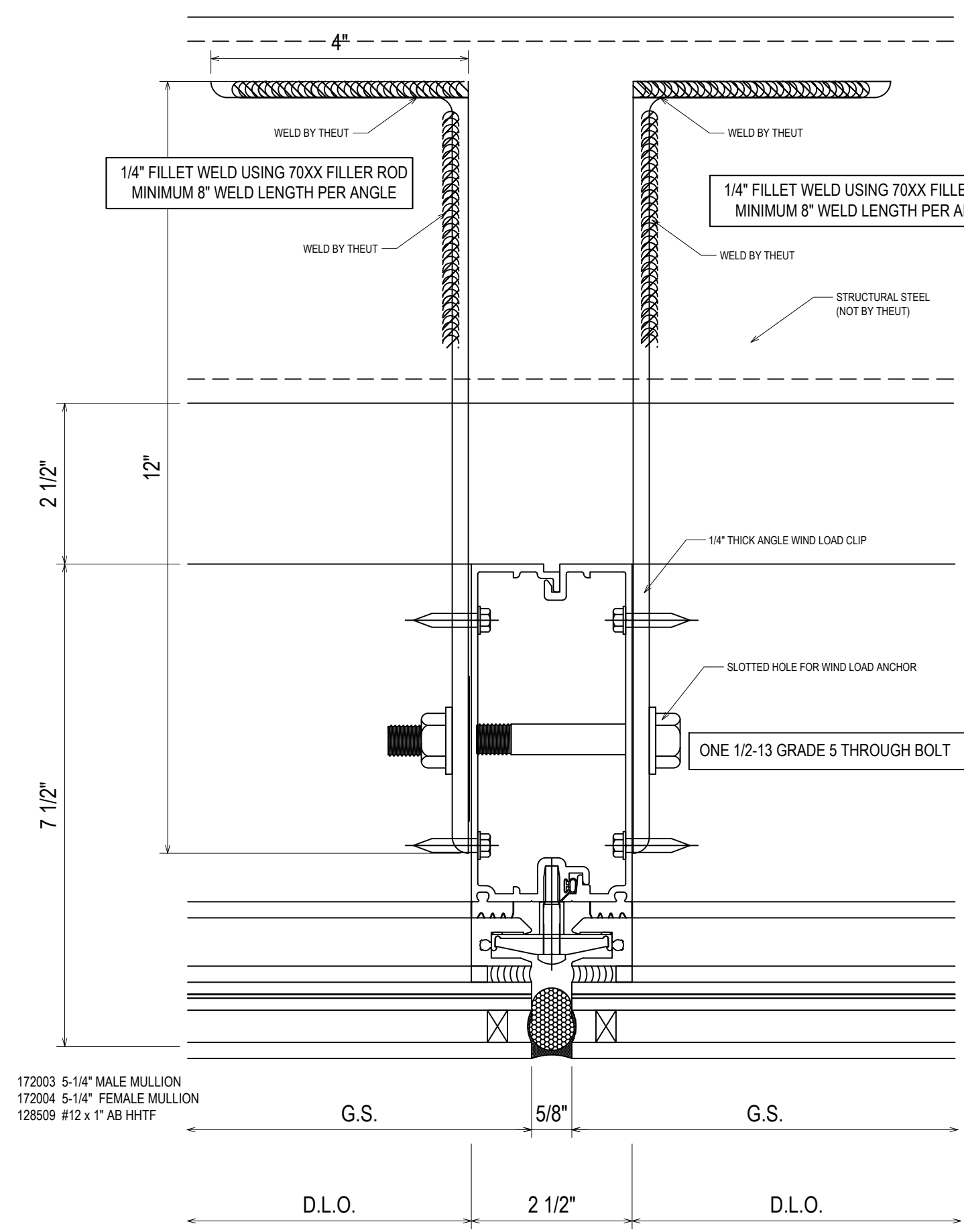
DRAWN BY: CW	DATE: 12.16.22
CHECKED BY: ST	DATE: 12.16.22



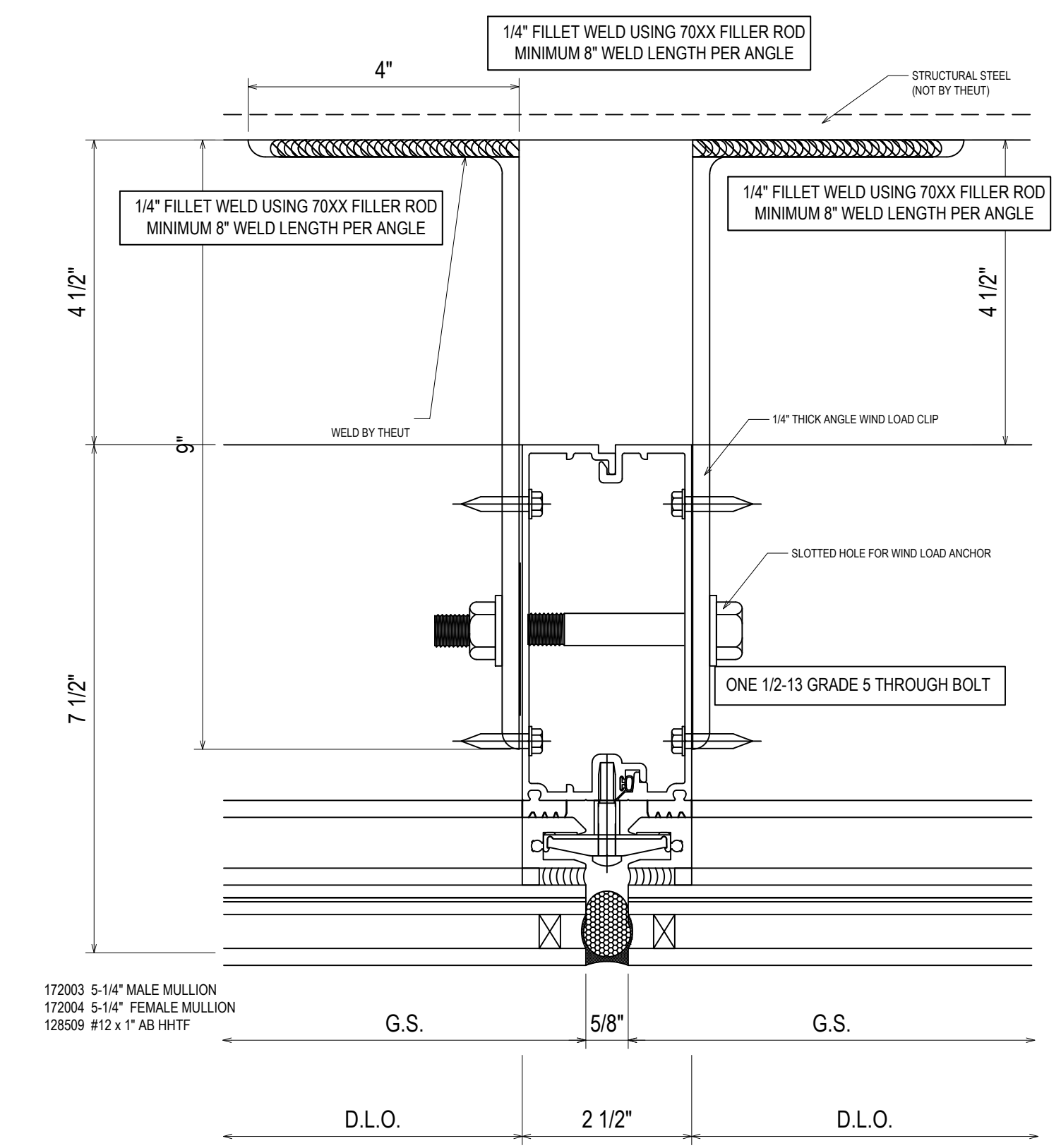
36
3.09
REF: N/A
LL



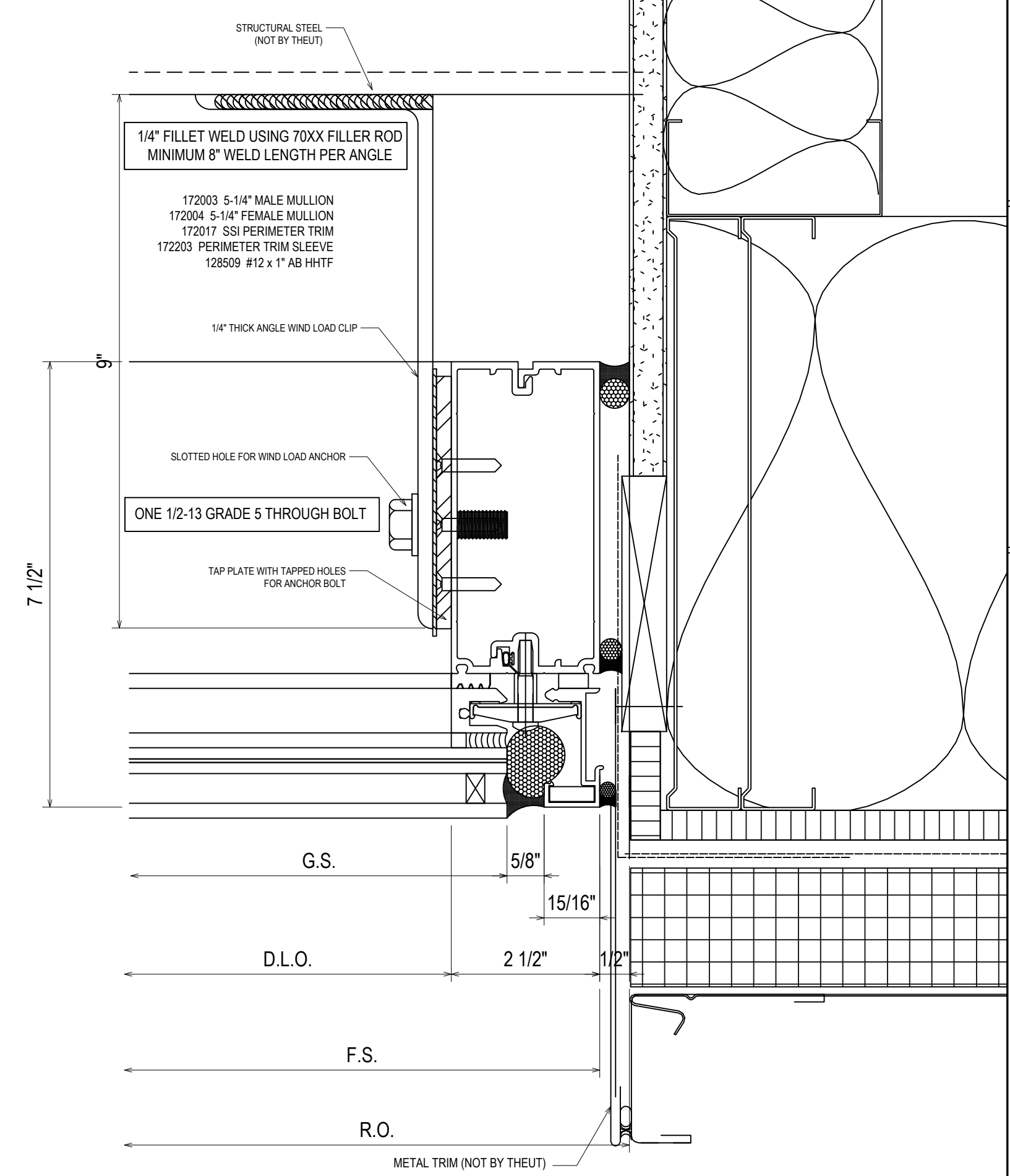
37
3.09
REF: B1/A.603
LL



38
3.09
REF: N/A
QQ - SS



39
3.09
REF: N/A
QQ - SS



40
3.09
REF: A4/A.845
QQ

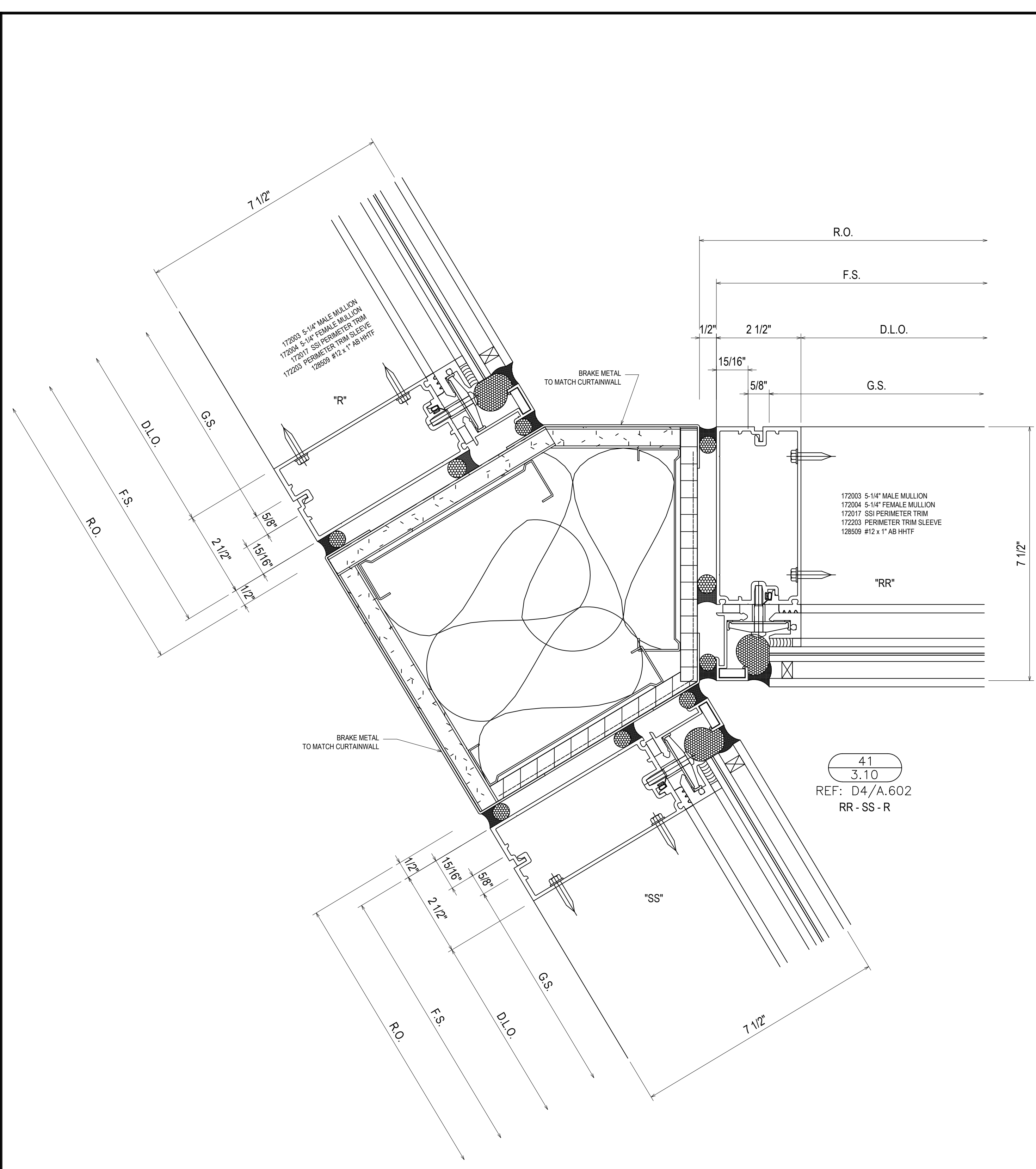
12.16.22	1ST SUBMISSION
04.21.23	1ST REVISION
06.07.23	2ND REVISION(ENGINEERING)
	NO
	DESCRIPTION
	DATE
	DRAWING SUBMISSION

THE THEUT COMPANY, LLC
P.O. BOX 894
1317 BUSINESS 71 N
COLUMBUS, TX 78934
P: 979.732.2201

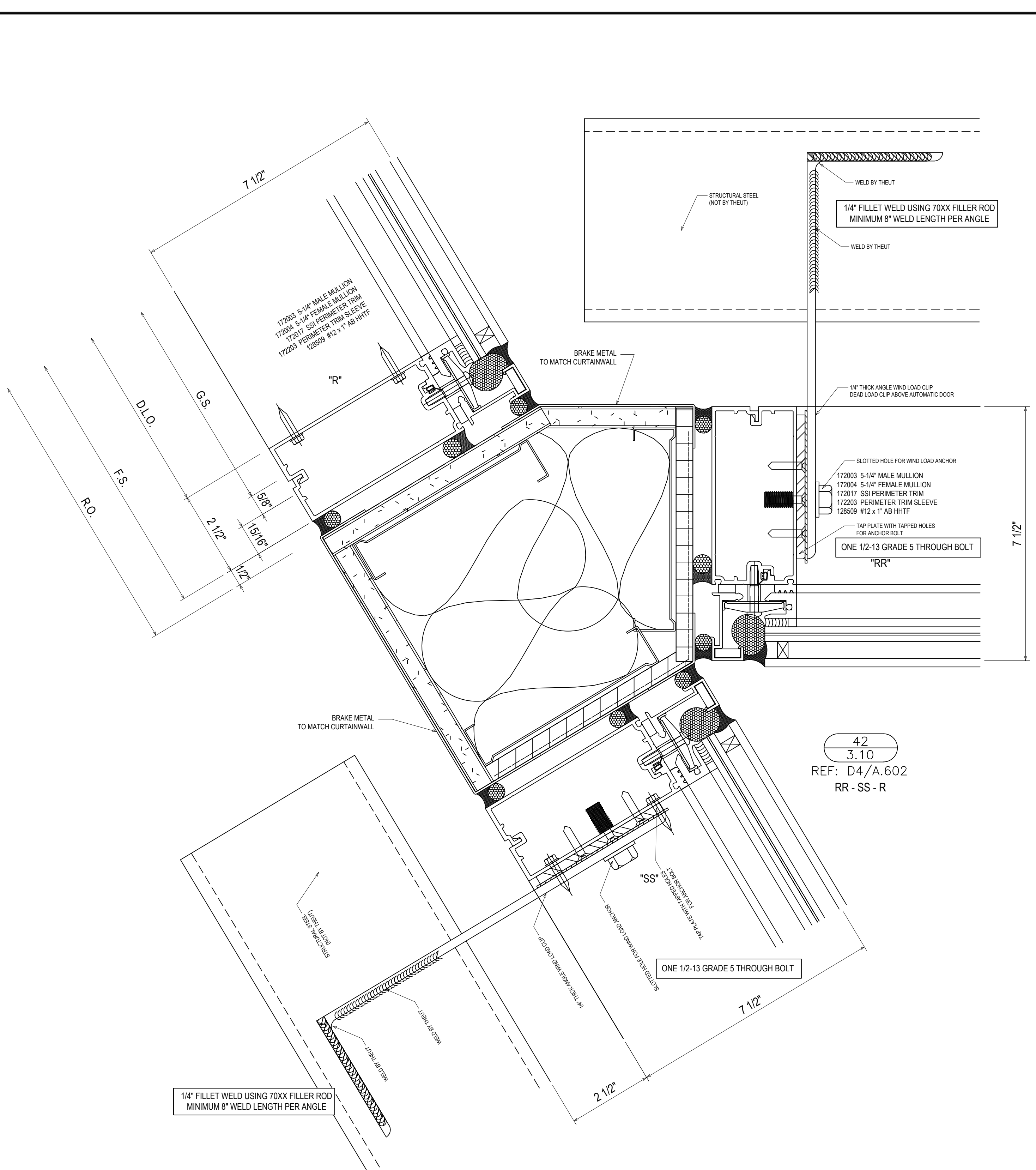
PROJECT: DR. SHANNON WALKER
NEIGHBORHOOD LIBRARY
LOCATION: 5505 BELROSE DRIVE
HOUSTON, TX 77035

DRAWN BY:	CW	DATE:	12.16.22
CHECKED BY:	ST	DATE:	12.16.22

3.09



41
3.10
REF: D4/A.602
RR - SS - R



42
3.10
REF: D4/A.602
RR - SS - R

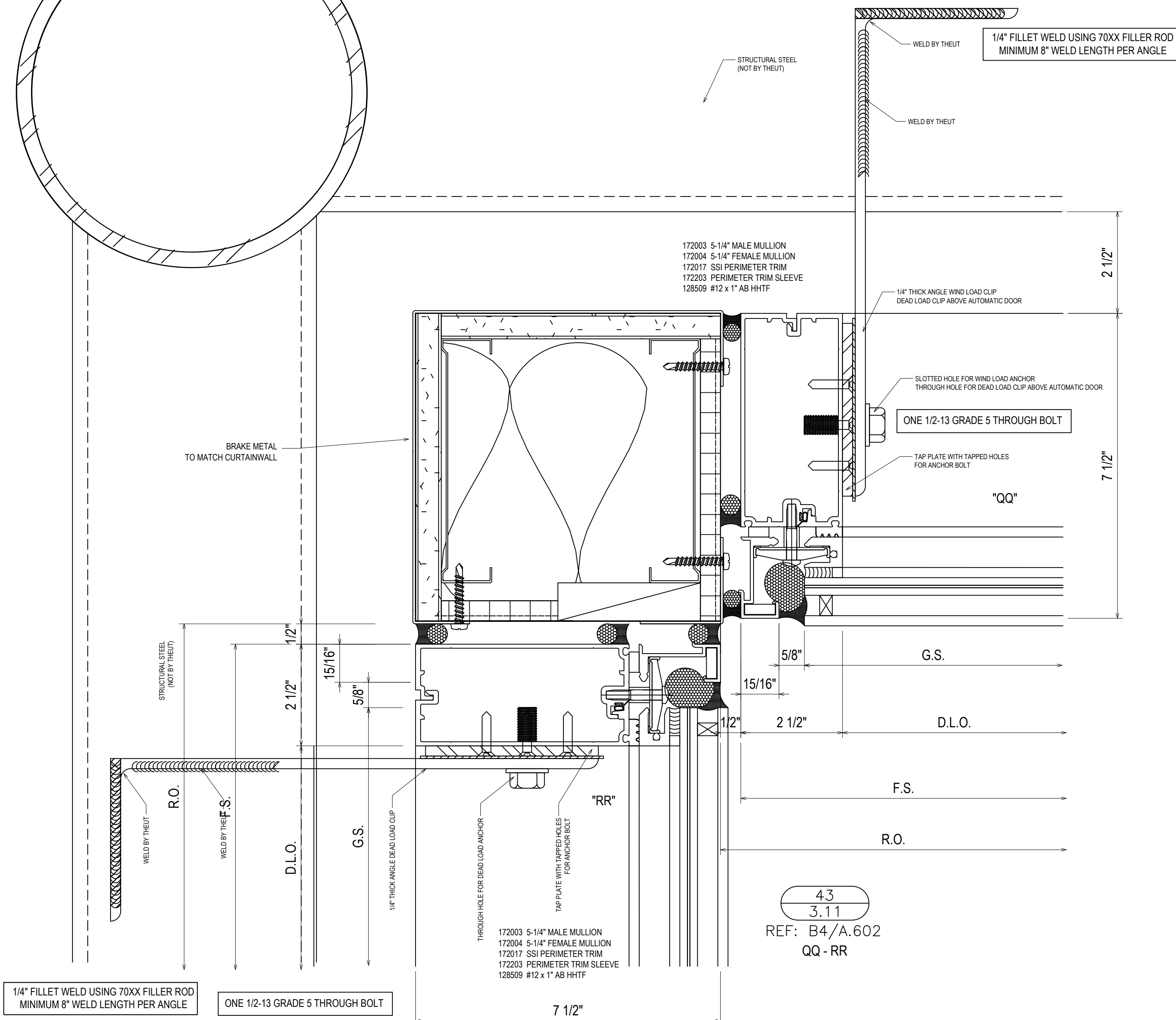
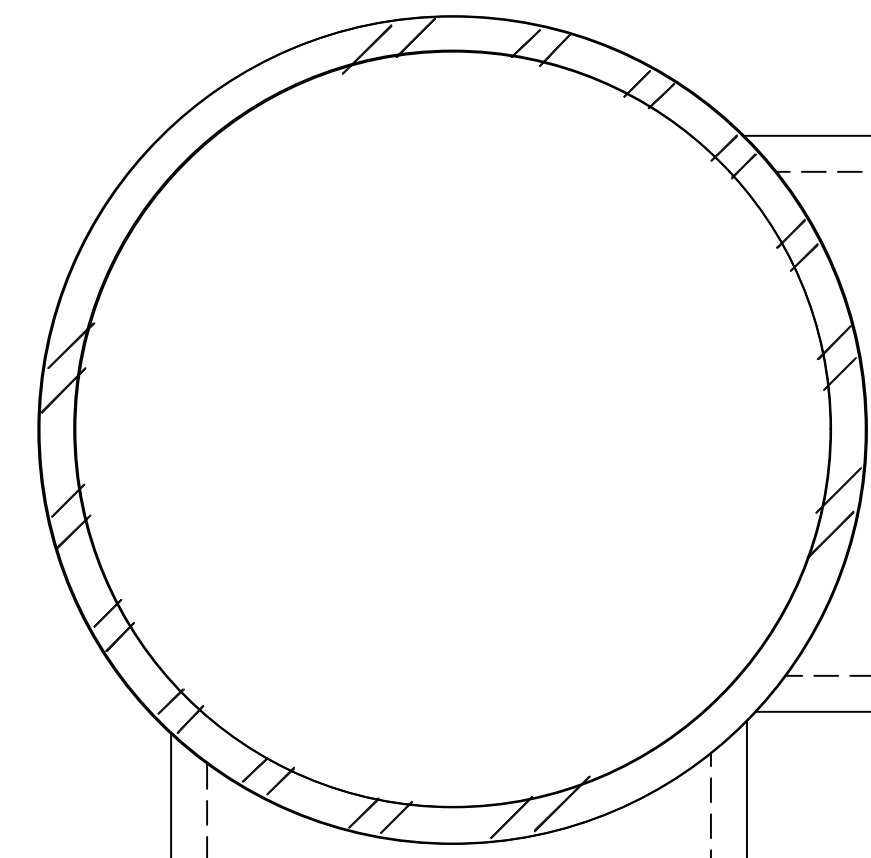
12.16.22	1ST SUBMISSION
04.21.23	1ST REVISION
06.07.23	2ND REVISION(ENGINEERING)
NO	DESCRIPTION
	DATE
	DRAWING SUBMISSION

THE THEUT COMPANY, LLC
P.O. BOX 894
1317 BUSINESS 71 N
COLUMBUS, TX 78934
P: 979.732.2201

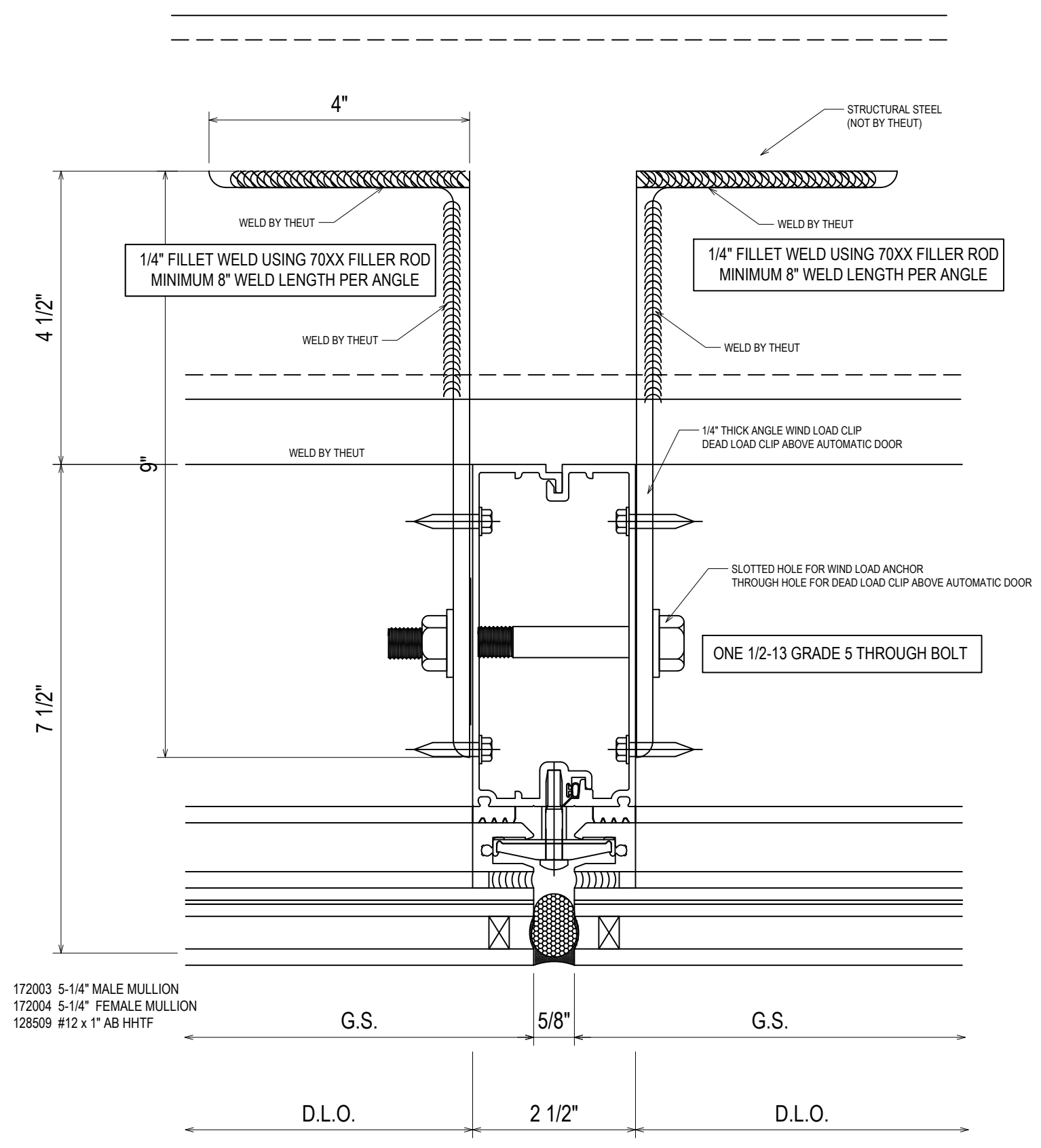
PROJECT: DR. SHANNON WALKER
NEIGHBORHOOD LIBRARY

LOCATION: 5505 BELROSE DRIVE
HOUSTON, TX 77035

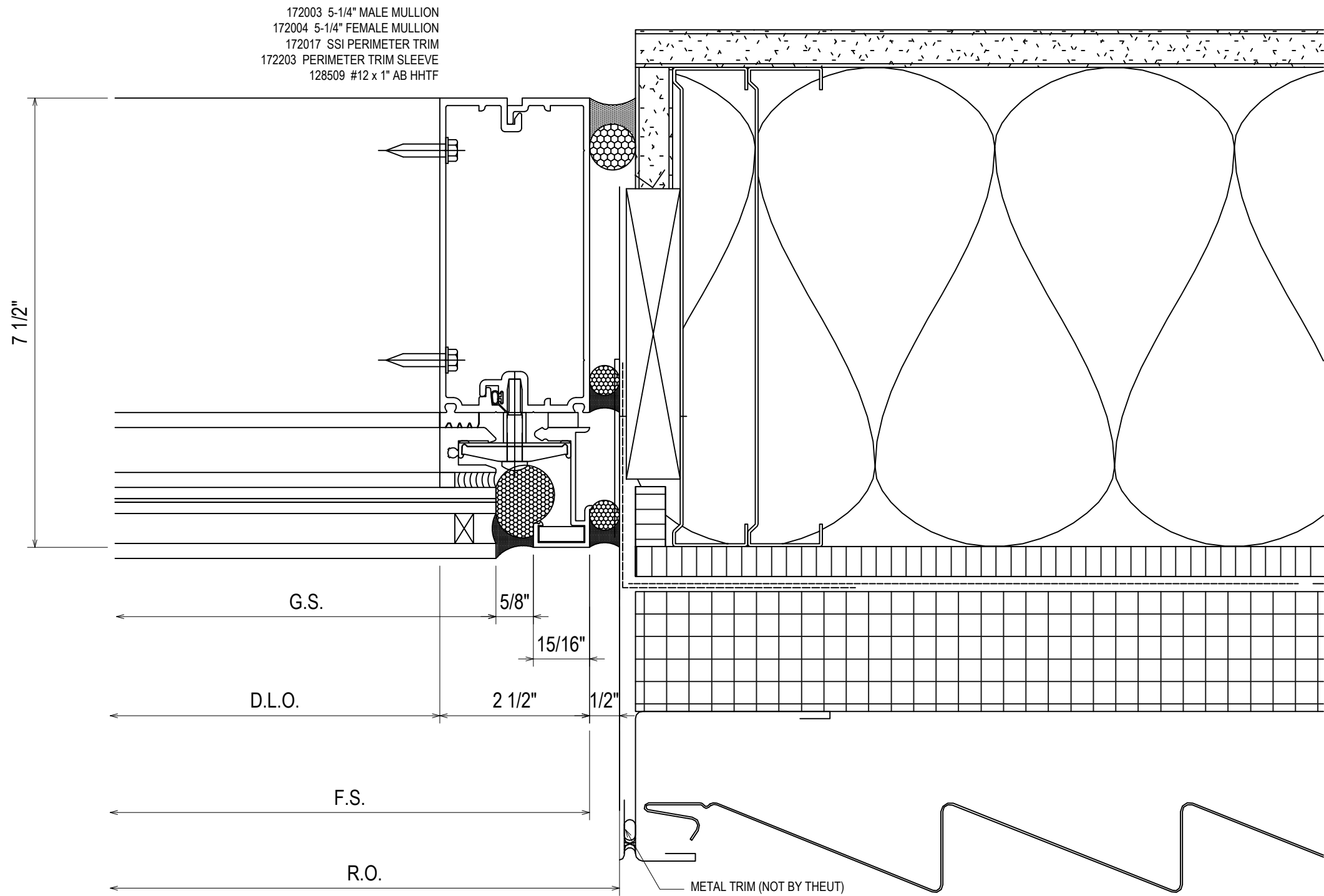
DRAWN BY: CW	DATE: 12.16.22
CHECKED BY: ST	DATE: 12.16.22



43
3.11
REF: B4/A.602
QQ-RR



44
3.11
REF: N/A
RR-SS



45
3.11
REF: B4/A.845
TT-WW

12.16.22	1ST SUBMISSION
04.21.23	1ST REVISION
06.07.23	2ND REVISION(ENGINEERING)
	NO
	DESCRIPTION
	DATE
	DRAWING SUBMISSION

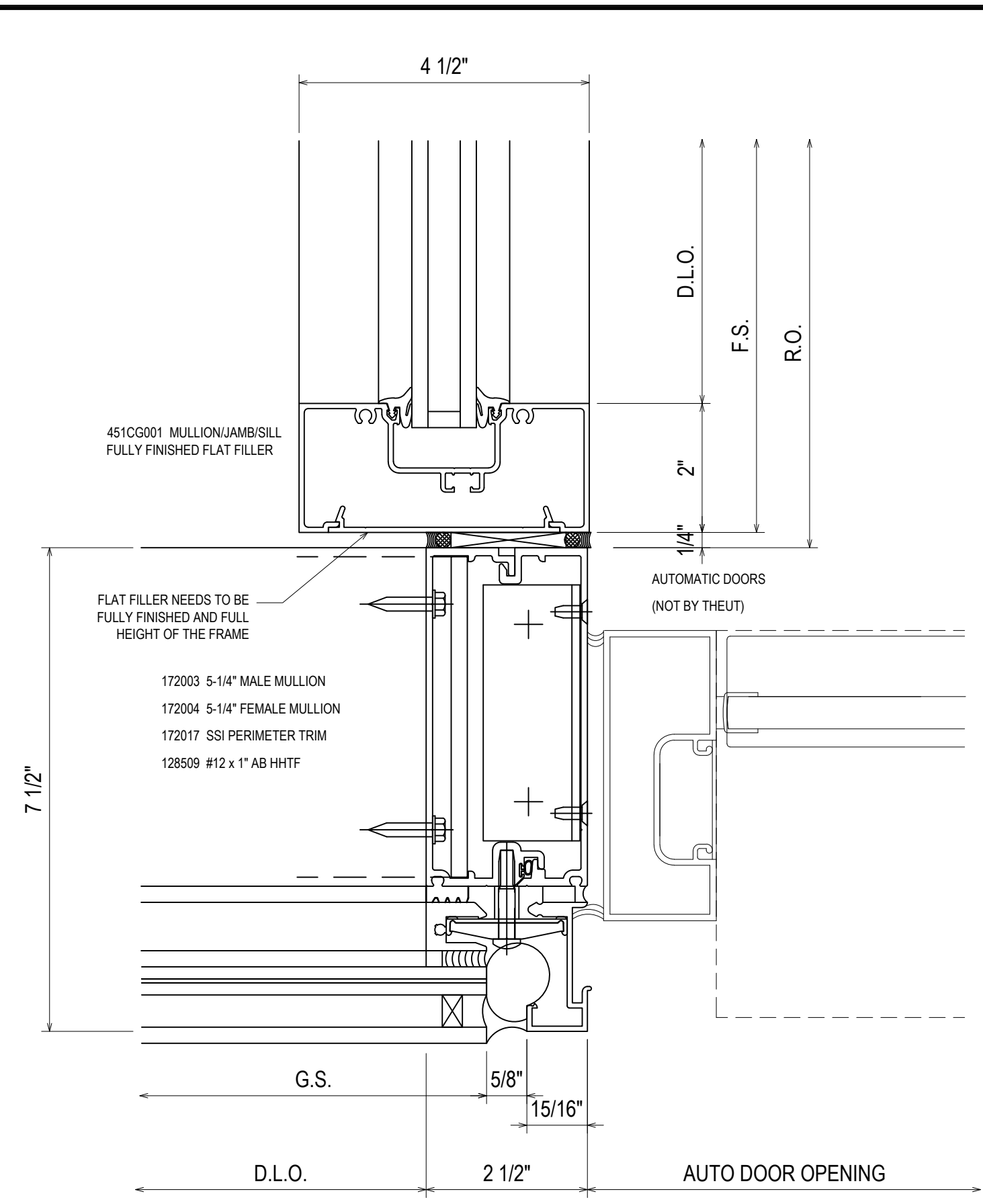
THE THEUT COMPANY, LLC
P.O. BOX 894
1317 BUSINESS 71 N
COLUMBUS, TX 78934
P: 979.732.2201

PROJECT: DR. SHANNON WALKER
NEIGHBORHOOD LIBRARY

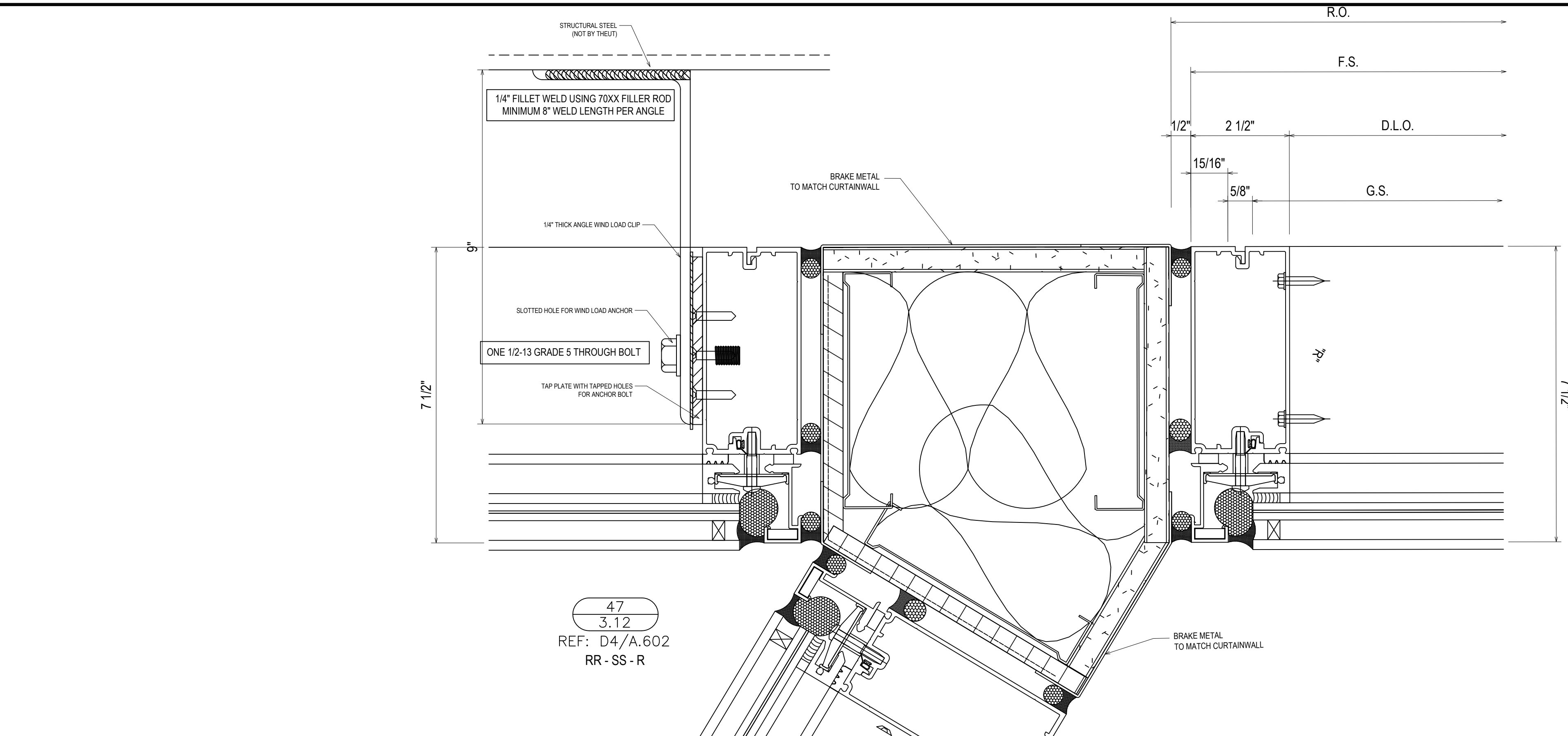
LOCATION: 5505 BELROSE DRIVE
HOUSTON, TX 77035

DRAWN BY: CW	DATE: 12.16.22
CHECKED BY: ST	DATE: 12.16.22

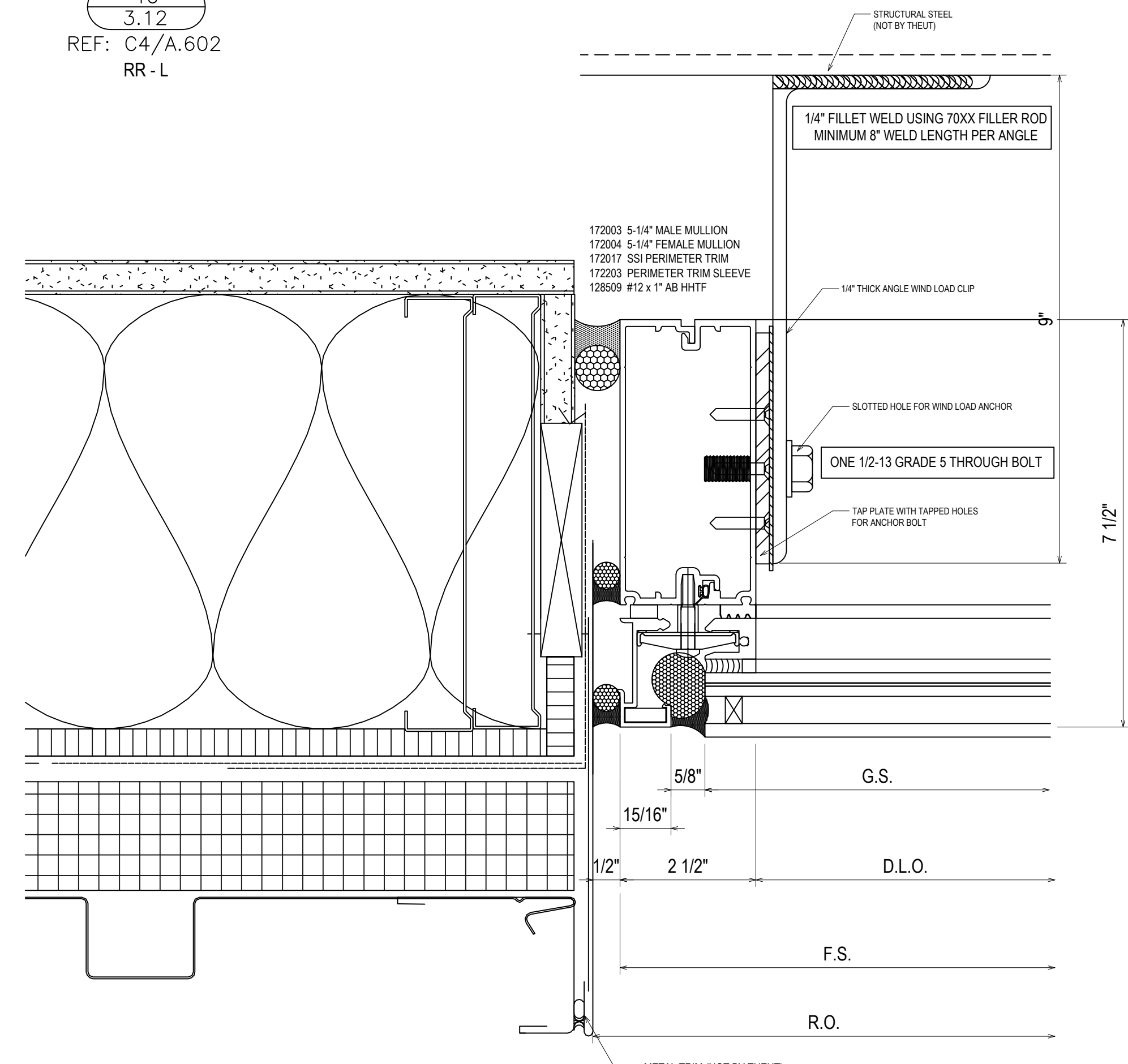
3.11



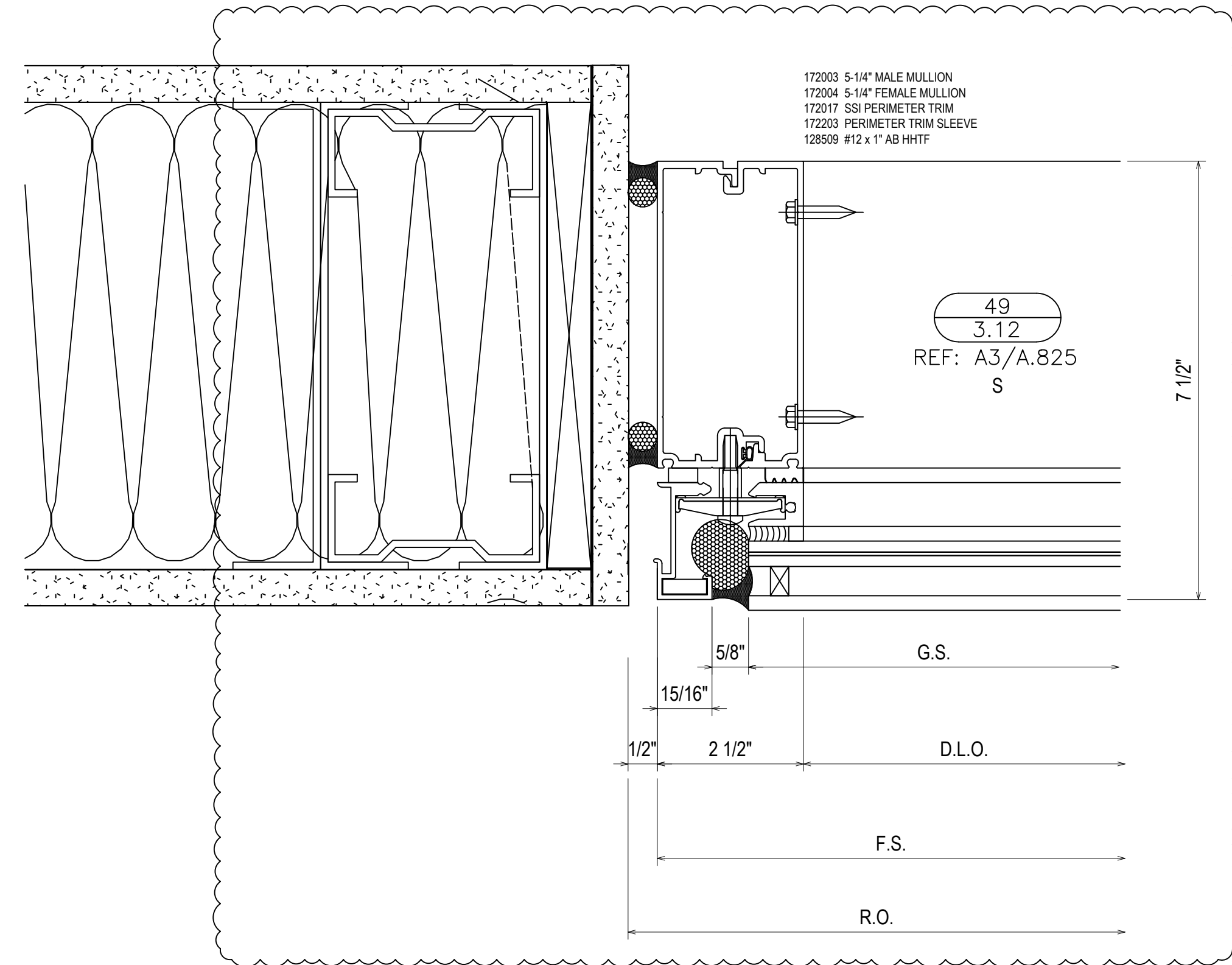
46
3.12
REF: C4/A.602
RR-L



47
3.12
REF: D4/A.602
RR-SS-R



48
3.12
REF: A1/A.845
SS



49
3.12
REF: A3/A.825
S

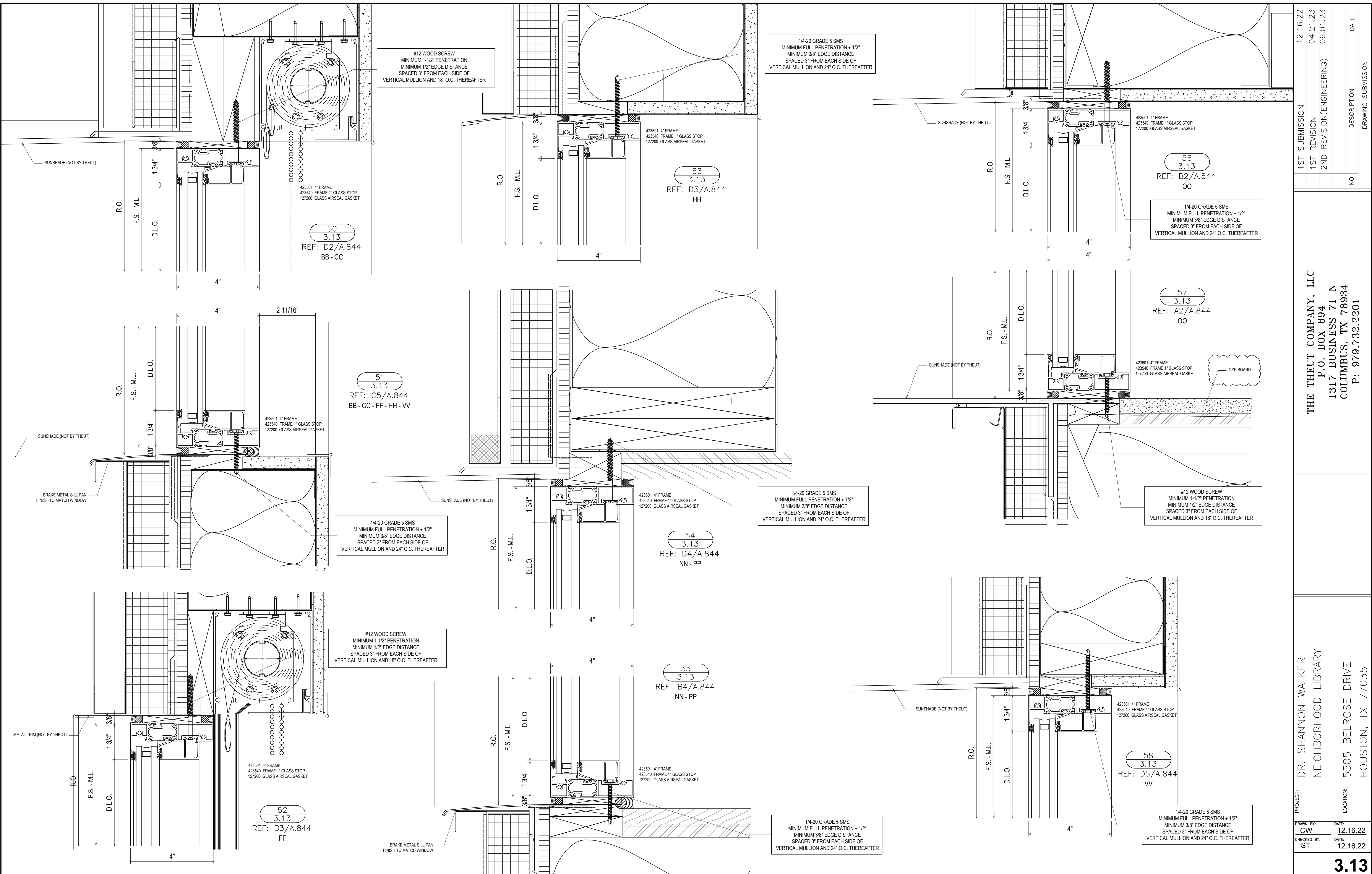
12.16.22	1ST SUBMISSION
04.21.23	1ST REVISION
06.07.23	2ND REVISION(ENGINEERING)
	NO
	DESCRIPTION
	DATE
	DRAWING SUBMISSION

THE THEUT COMPANY, LLC
P.O. BOX 894
1317 BUSINESS 71 N
COLUMBUS, TX 78934
P: 979.732.2201

PROJECT: DR. SHANNON WALKER
NEIGHBORHOOD LIBRARY

LOCATION: 5505 BELROSE DRIVE
HOUSTON, TX 77035

DRAWN BY:	DATE:
CW	12.16.22
CHECKED BY:	DATE:
ST	12.16.22

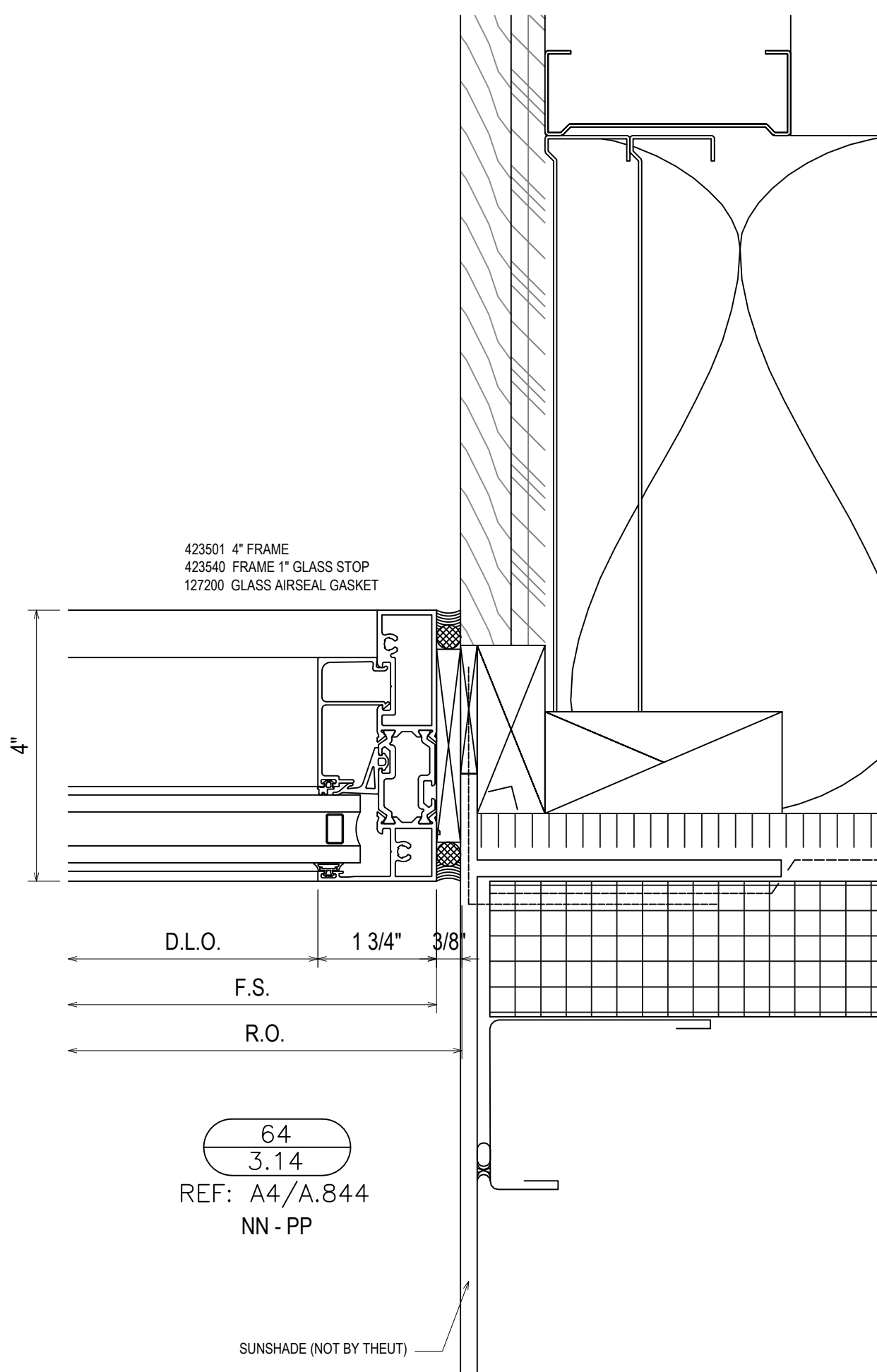
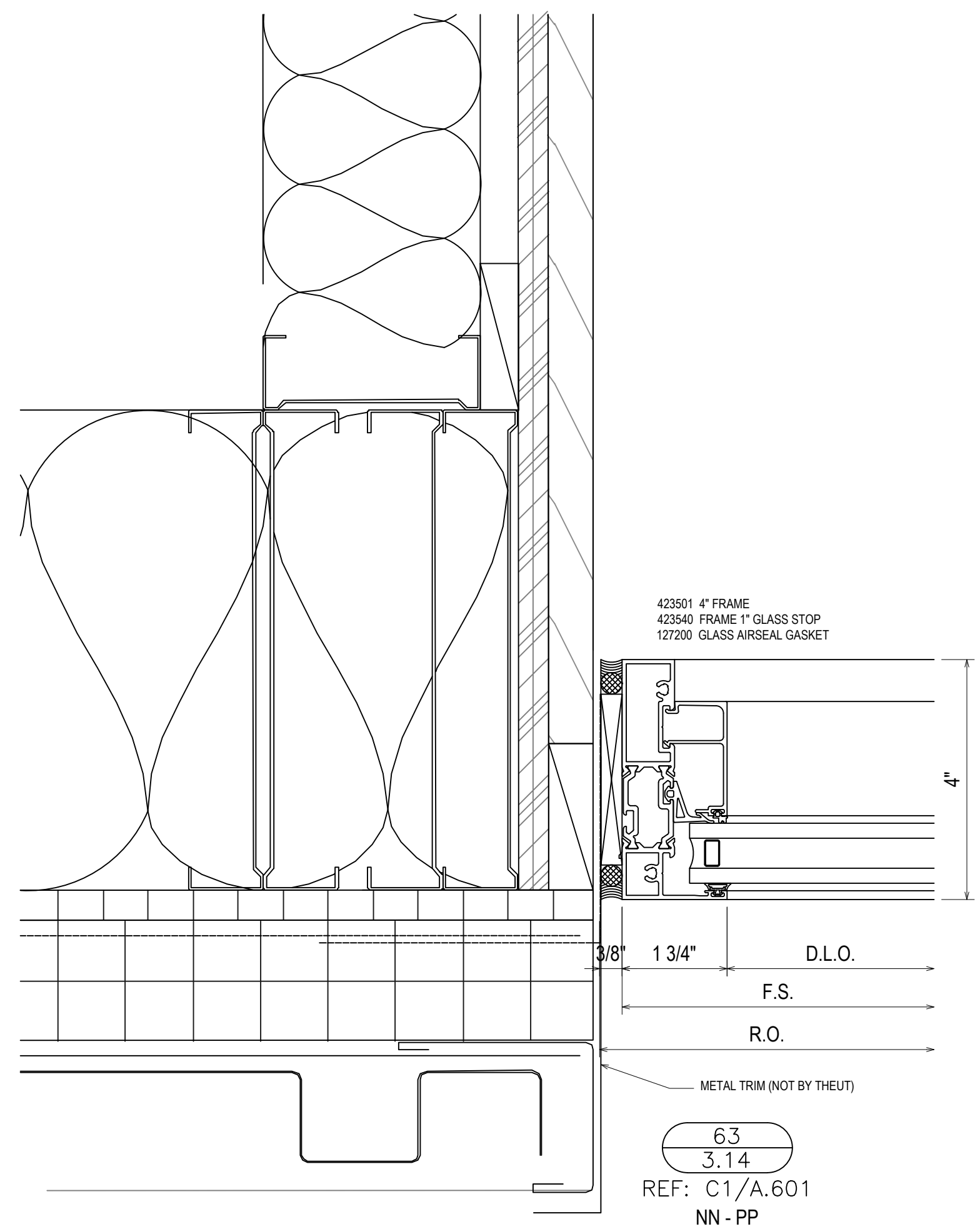
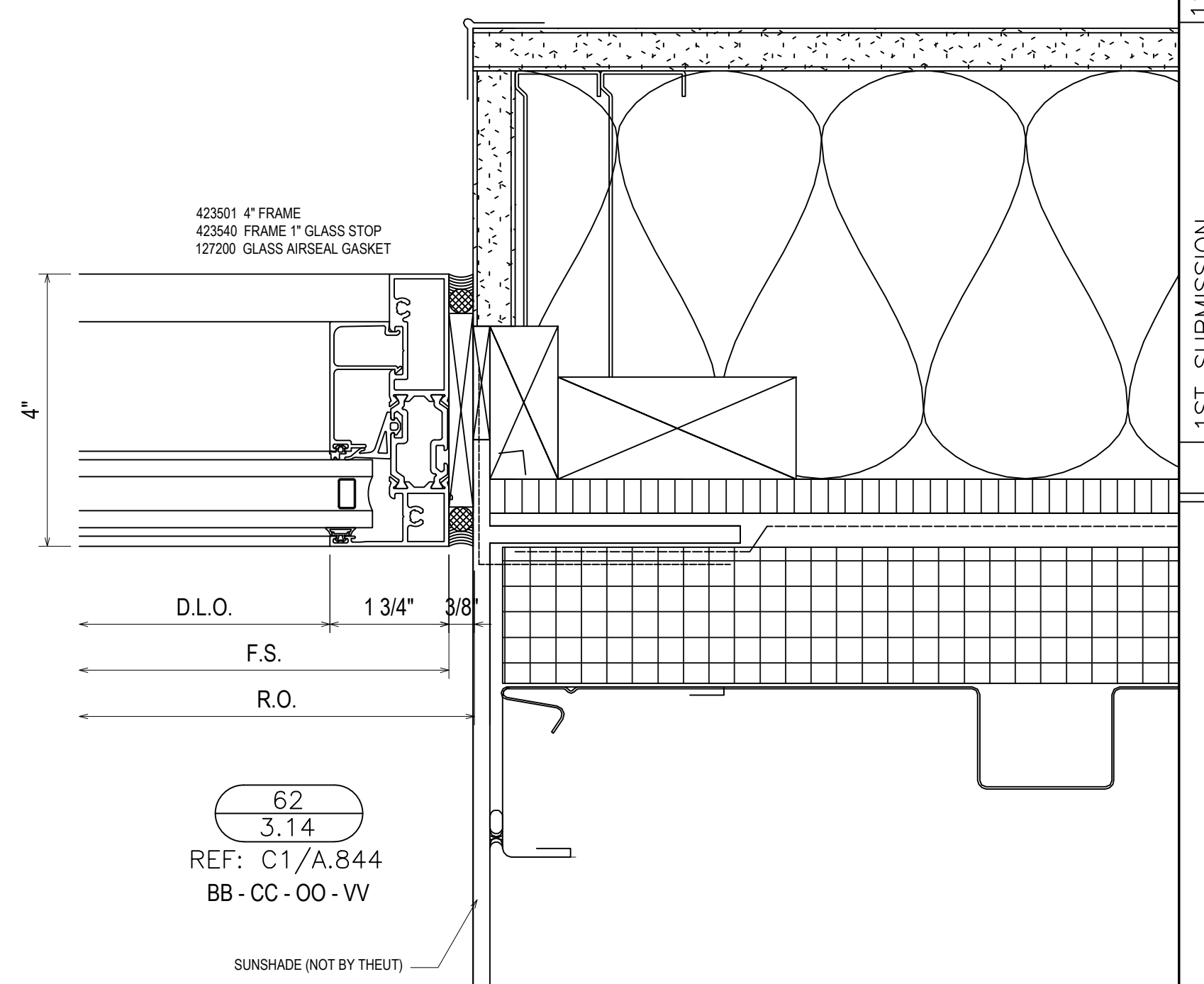
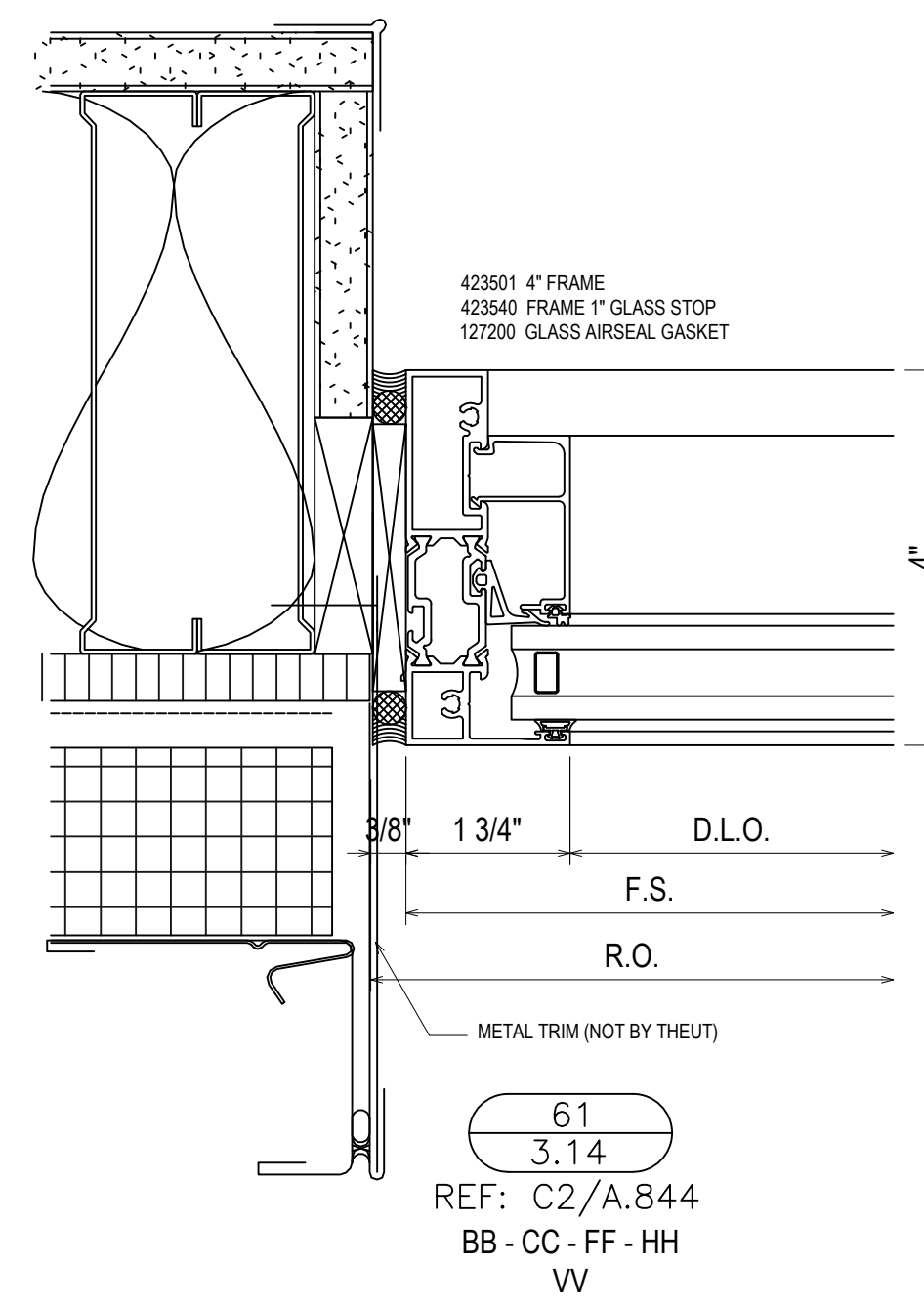
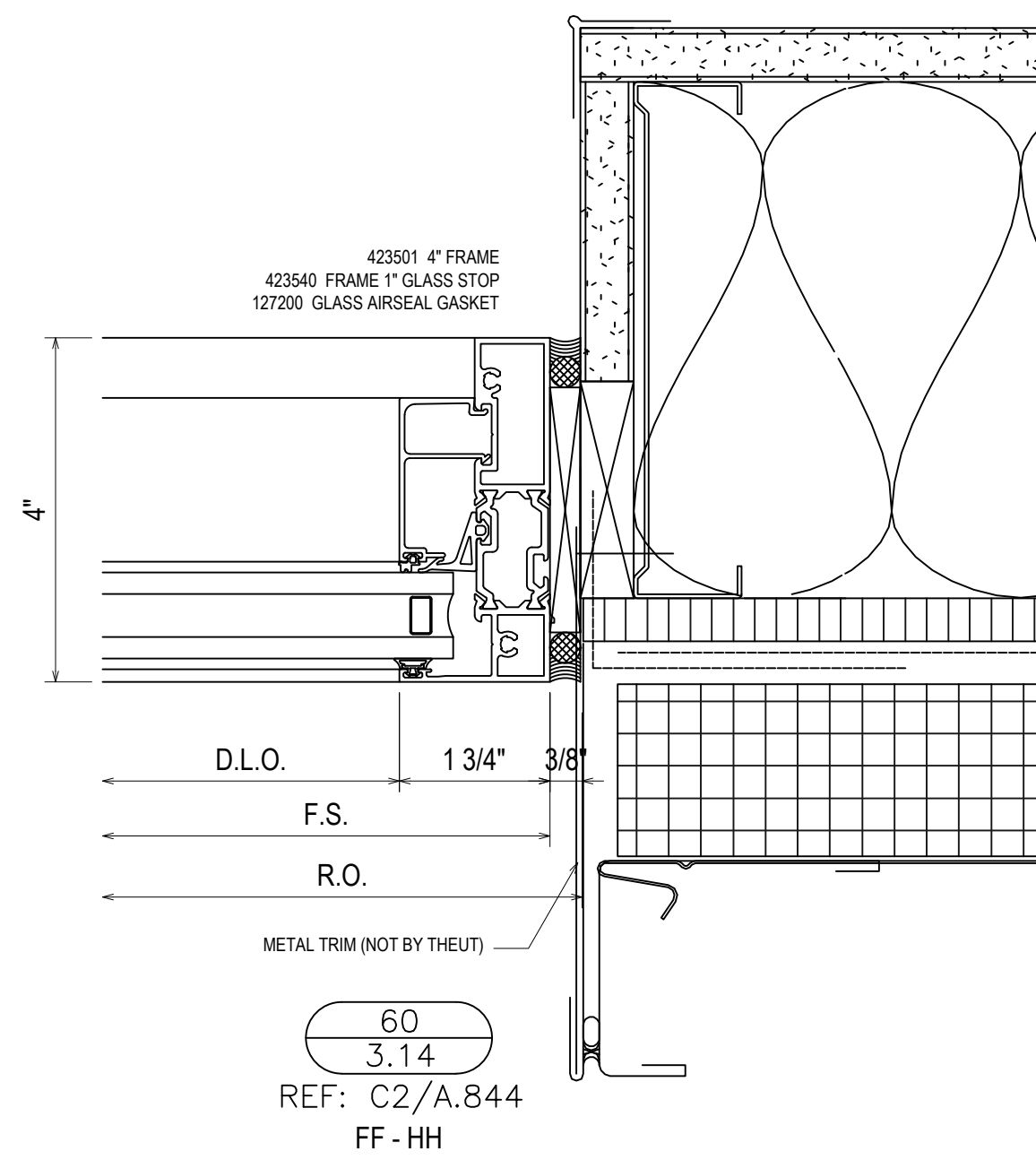
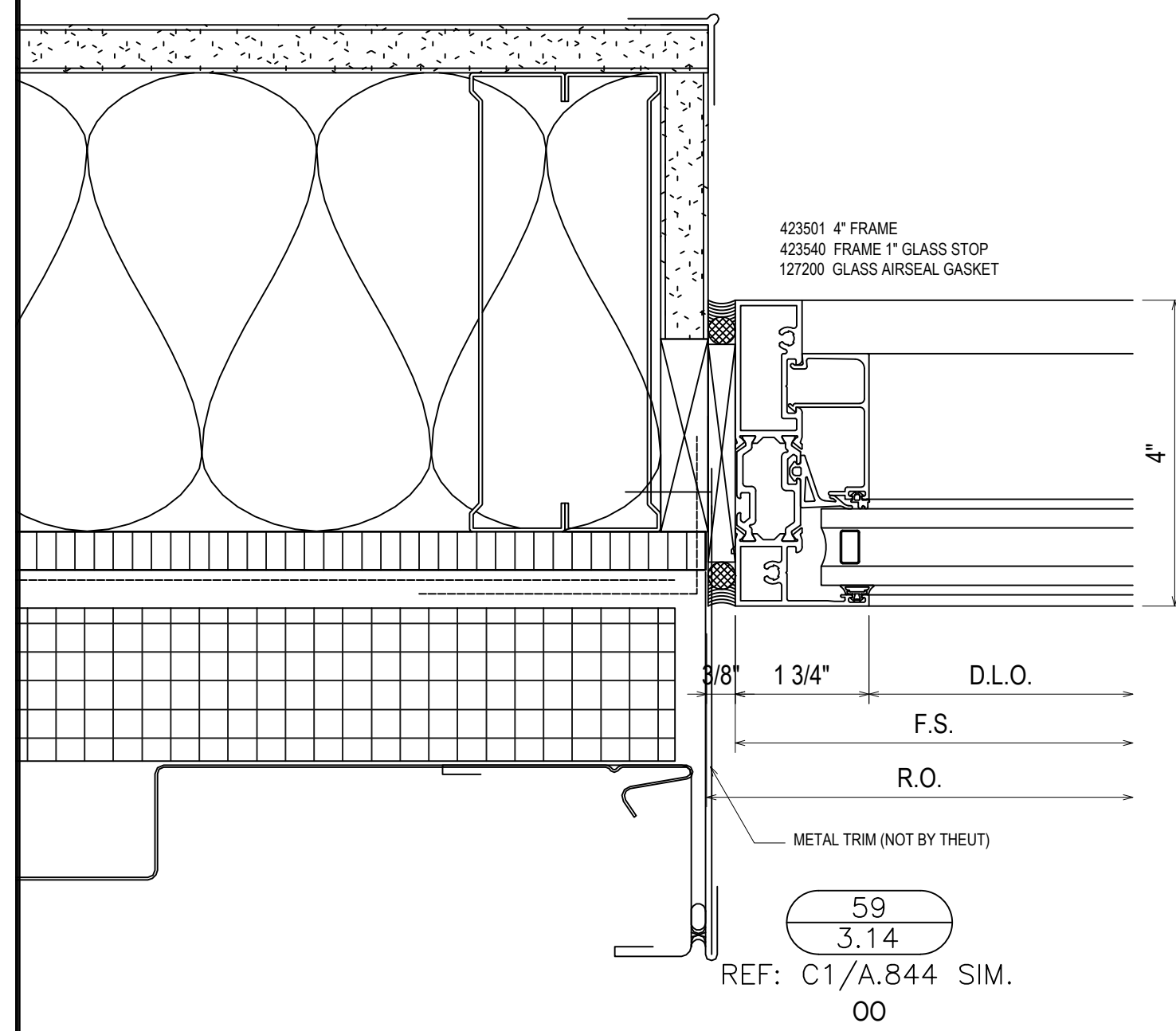


1ST SUBMISSION	12.16.22
1ST REVISION	04.21.23
2ND REVISION(ENGINEERING)	06.07.23
NO	DATE
DRAWING SUBMISSION	

THE THEUT COMPANY, LLC
 P.O. BOX 894
 1317 BUSINESS 71 N
 COLUMBUS, TX 78934
 P: 979.732.2201

PROJECT: DR. SHANNON WALKER
 NEIGHBORHOOD LIBRARY
 LOCATION: 5505 BELROSE DRIVE
 HOUSTON, TX 77035

DRAWN BY:	DATE:
CW	12.16.22
CHECKED BY:	DATE:
ST	12.16.22

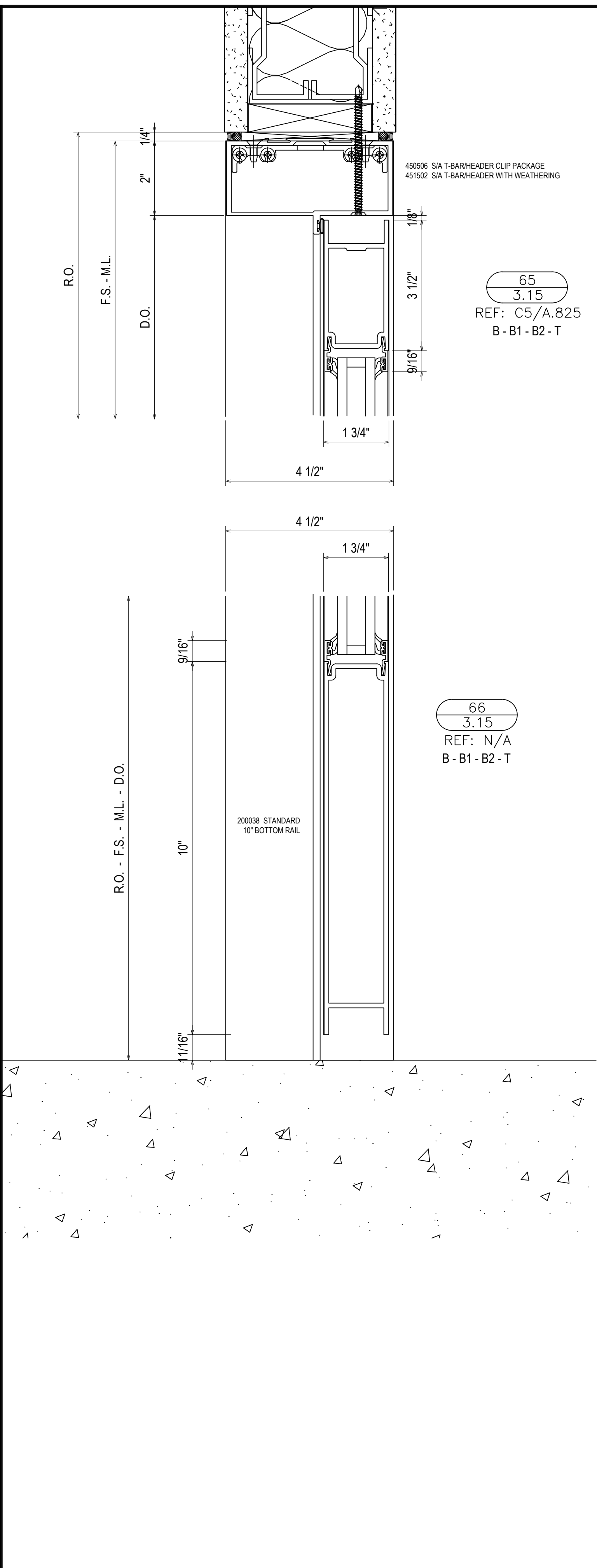


12.16.22	1ST SUBMISSION
04.21.23	1ST REVISION
06.01.23	2ND REVISION(ENGINEERING)
NO	DESCRIPTION
	DATE
	DRAWING SUBMISSION

THE THEUT COMPANY, LLC
P.O. BOX 894
1317 BUSINESS 71 N
COLUMBUS, TX 78934
P: 979.732.2201

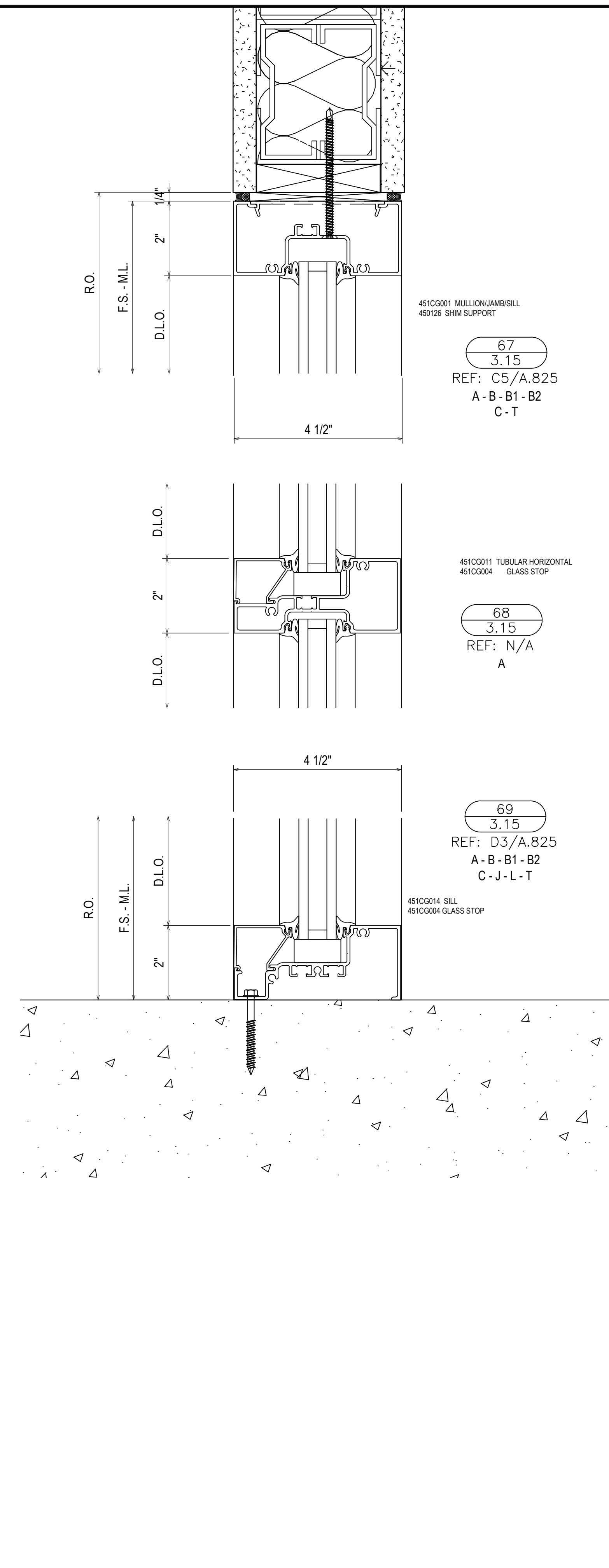
PROJECT: DR. SHANNON WALKER
NEIGHBORHOOD LIBRARY
LOCATION: 5505 BELROSE DRIVE
HOUSTON, TX 77035

DRAWN BY:	DATE:
CW	12.16.22
CHECKED BY:	DATE:
ST	12.16.22



65
3.15
REF: C5/A.825
B - B1 - B2 - T

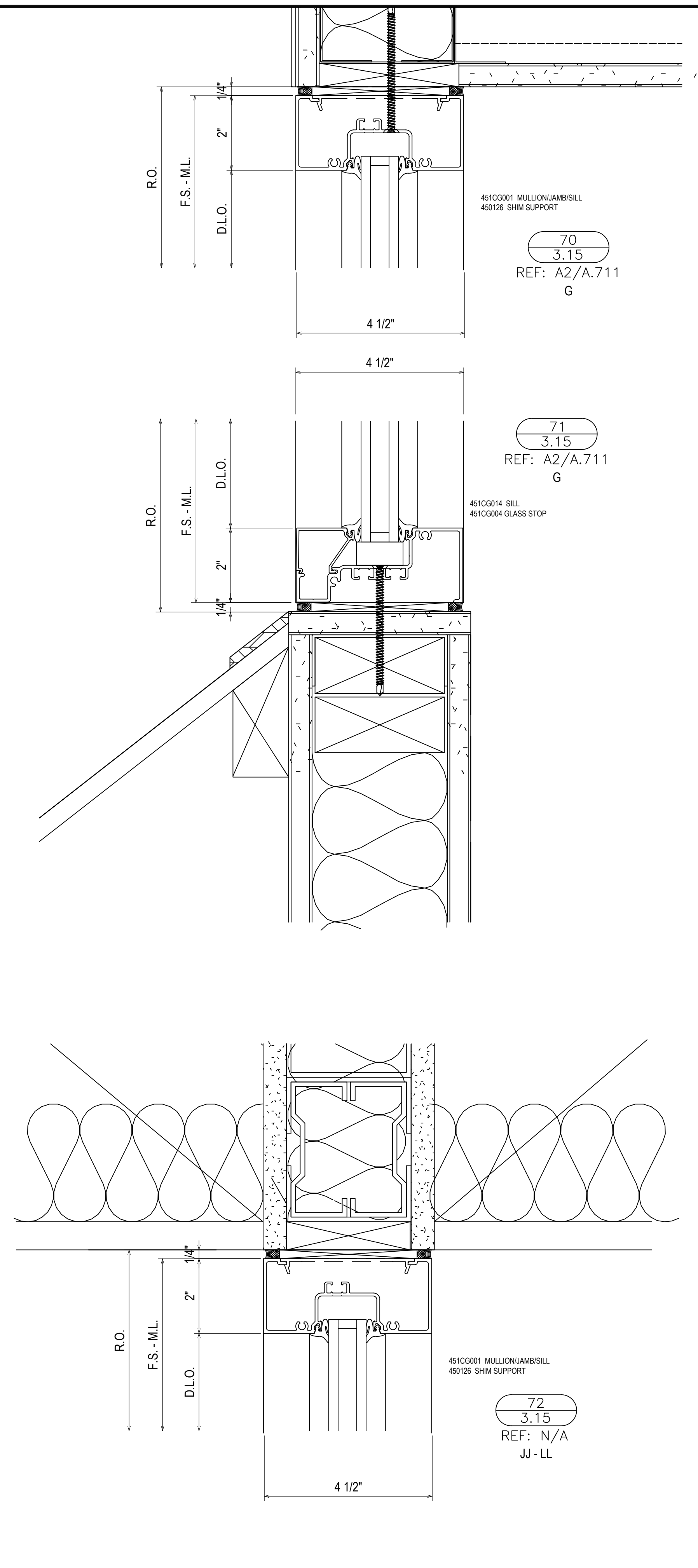
66
3.15
REF: N/A
B - B1 - B2 - T



67
3.15
REF: C5/A.825
A - B - B1 - B2
C - T

68
3.15
REF: N/A
A

69
3.15
REF: D3/A.825
A - B - B1 - B2
C - J - L - T



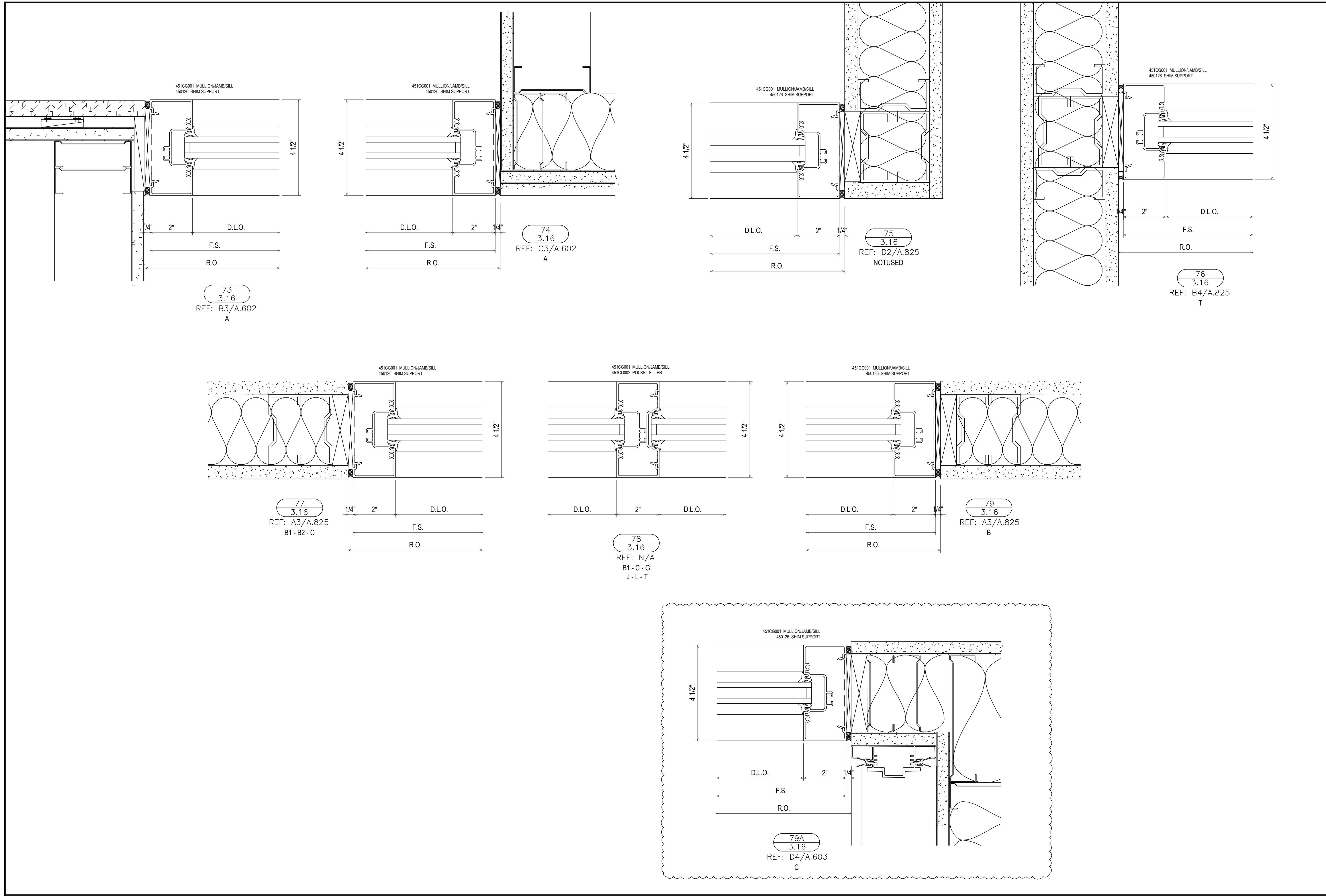
70
3.15
REF: A2/A.711
G

71
3.15
REF: A2/A.711
G

72
3.15
REF: N/A
JJ - LL

PROJECT:	DR. SHANNON WALKER NEIGHBORHOOD LIBRARY	LOCATION:	5505 BELROSE DRIVE HOUSTON, TX 77035
DRAWN BY:	CW	DATE:	12.16.22
CHECKED BY:	ST	DATE:	12.16.22
1ST SUBMISSION	12.16.22	1ST REVISION	04.21.23
2ND REVISION(ENGINEERING)	06.07.23	NO	DESCRIPTION
			DATE
			DRAWING SUBMISSION

THE THEUT COMPANY, LLC
P.O. BOX 894
1317 BUSINESS 71 N
COLUMBUS, TX 78934
P: 979.732.2201



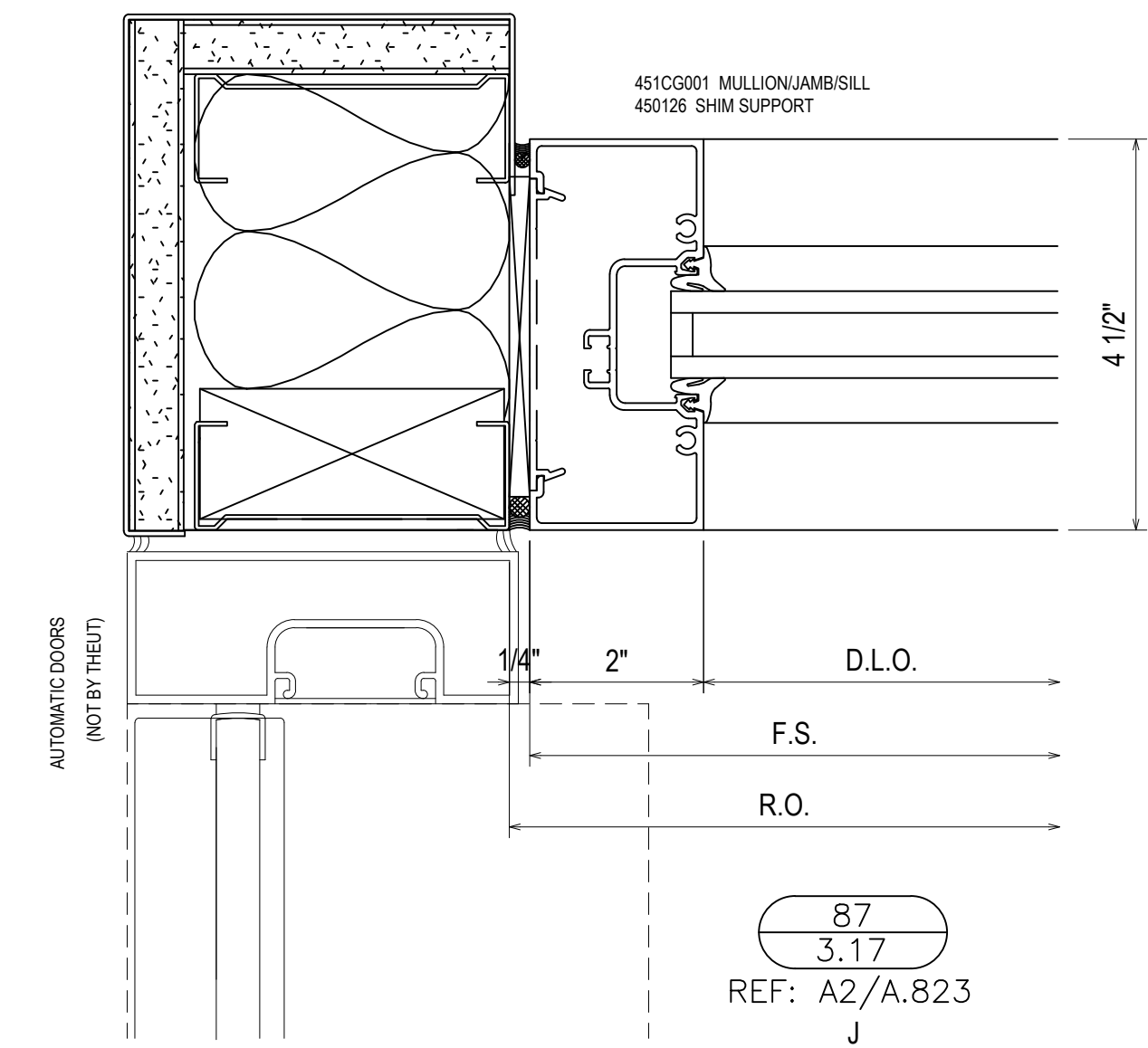
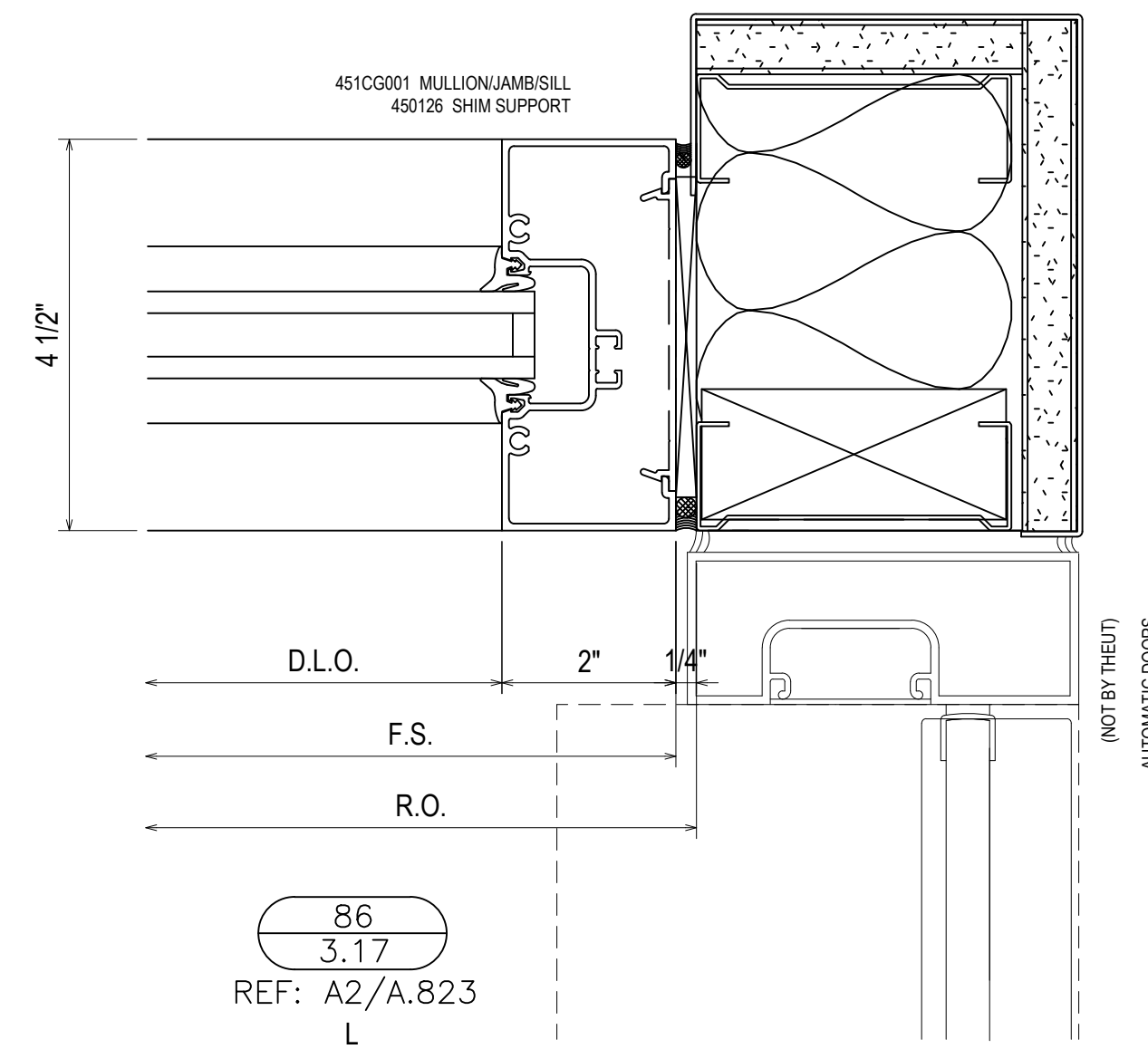
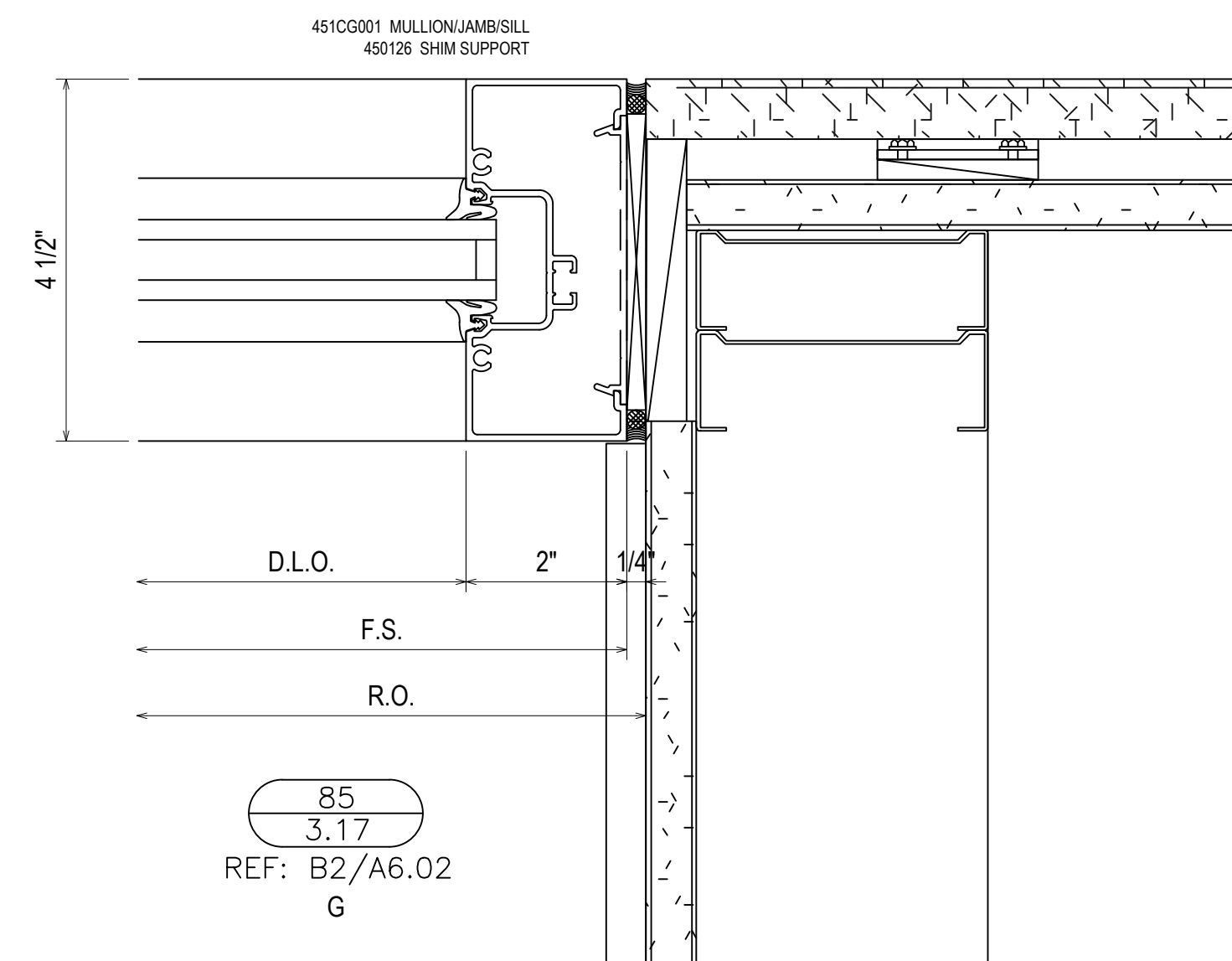
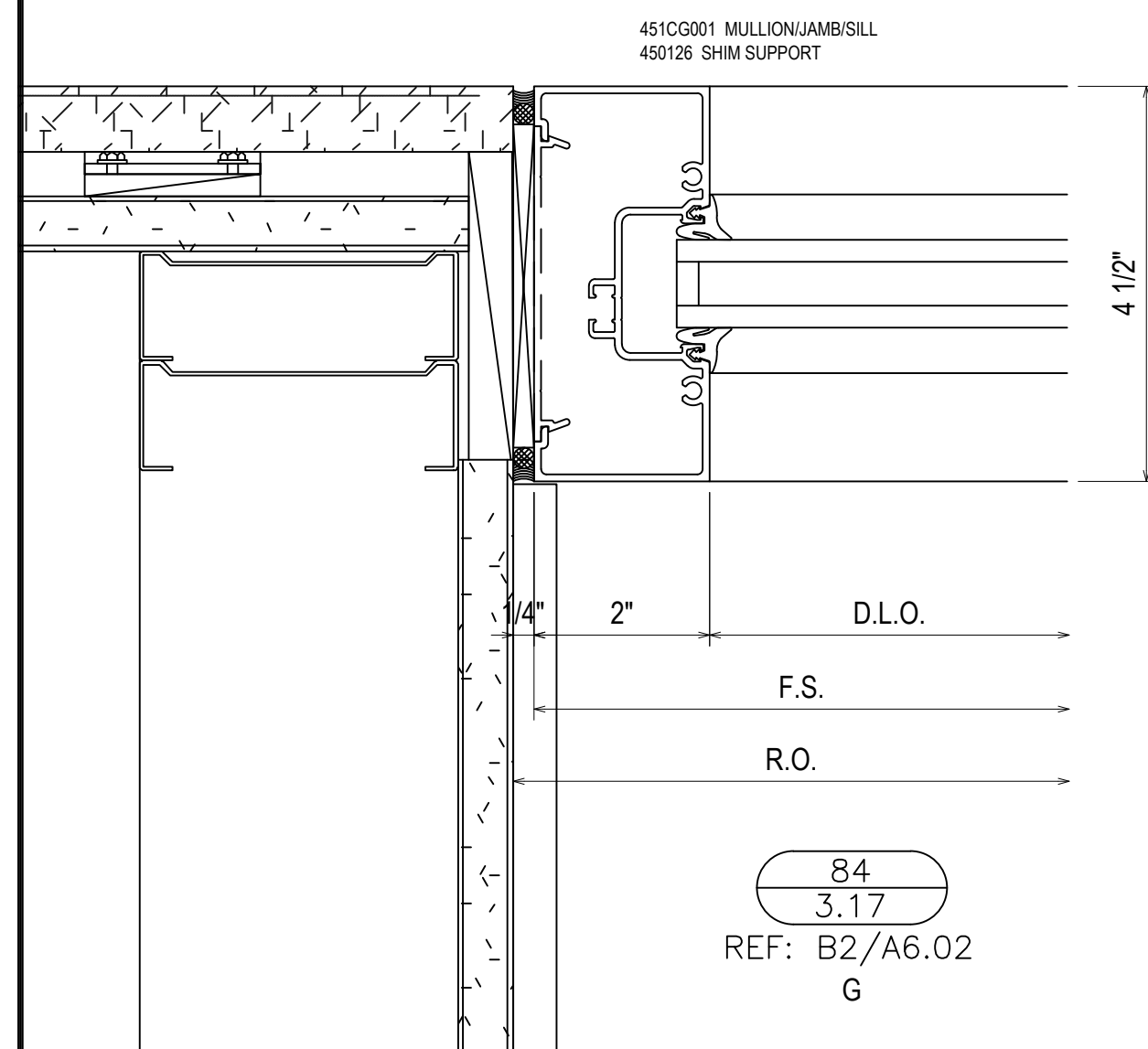
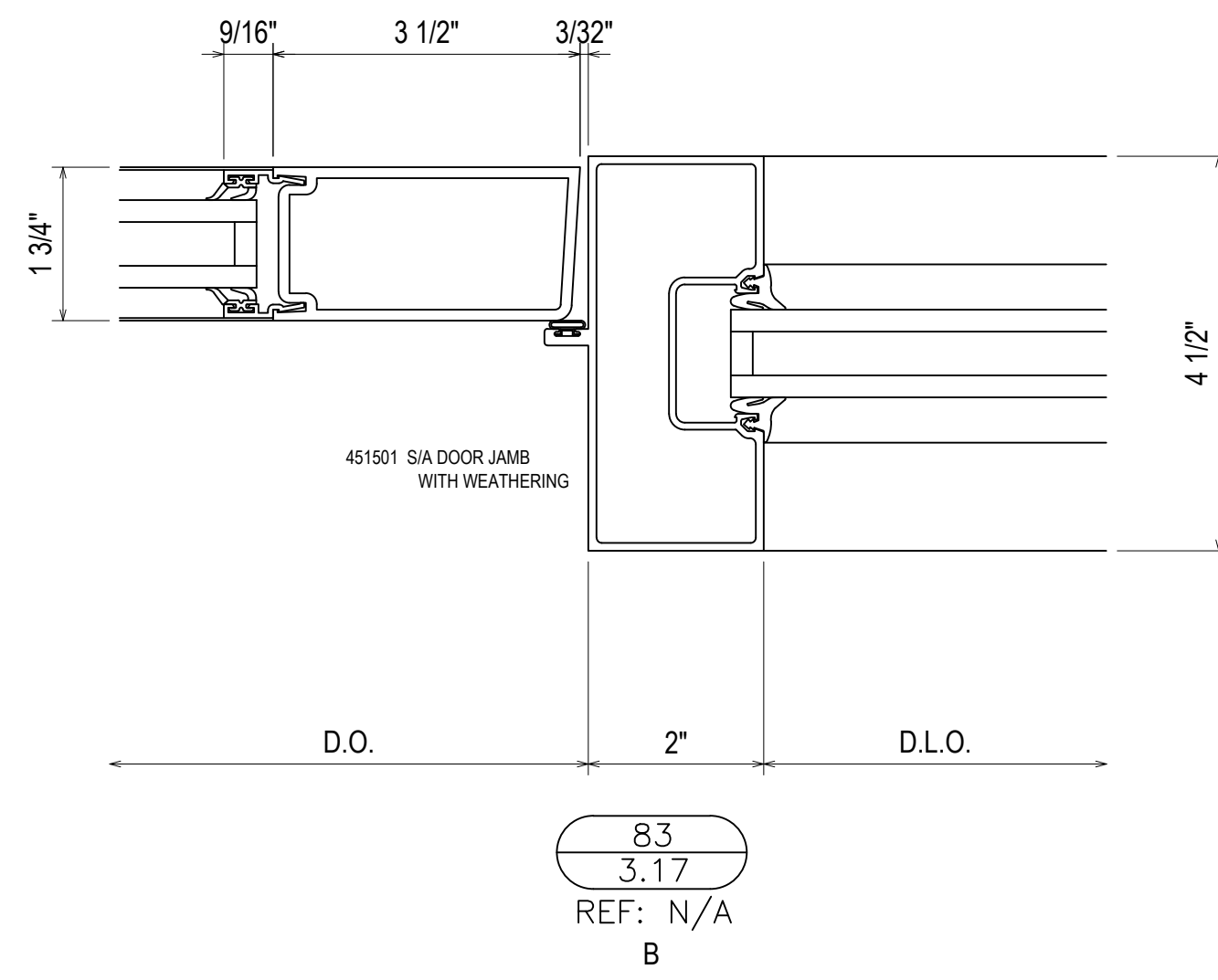
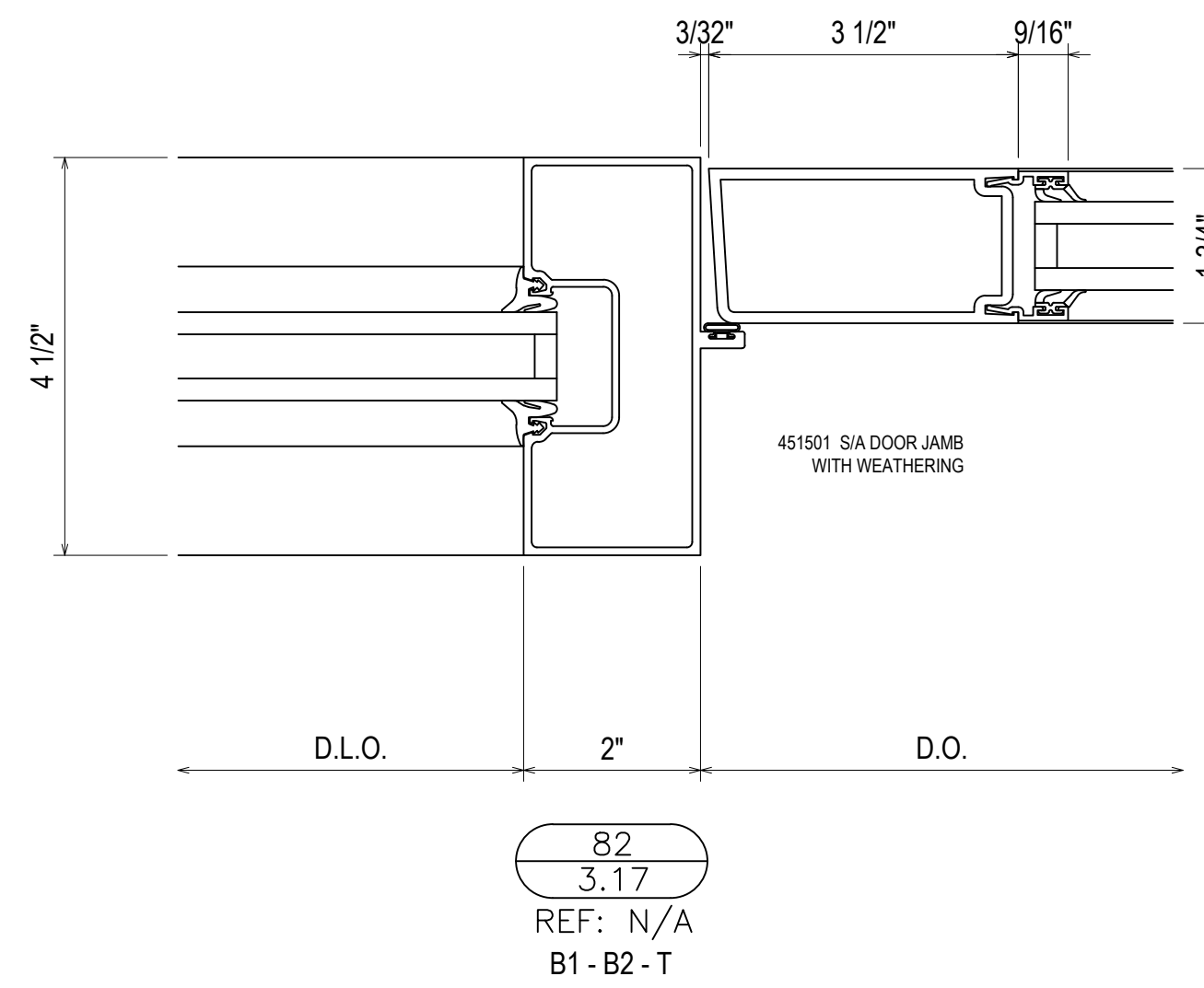
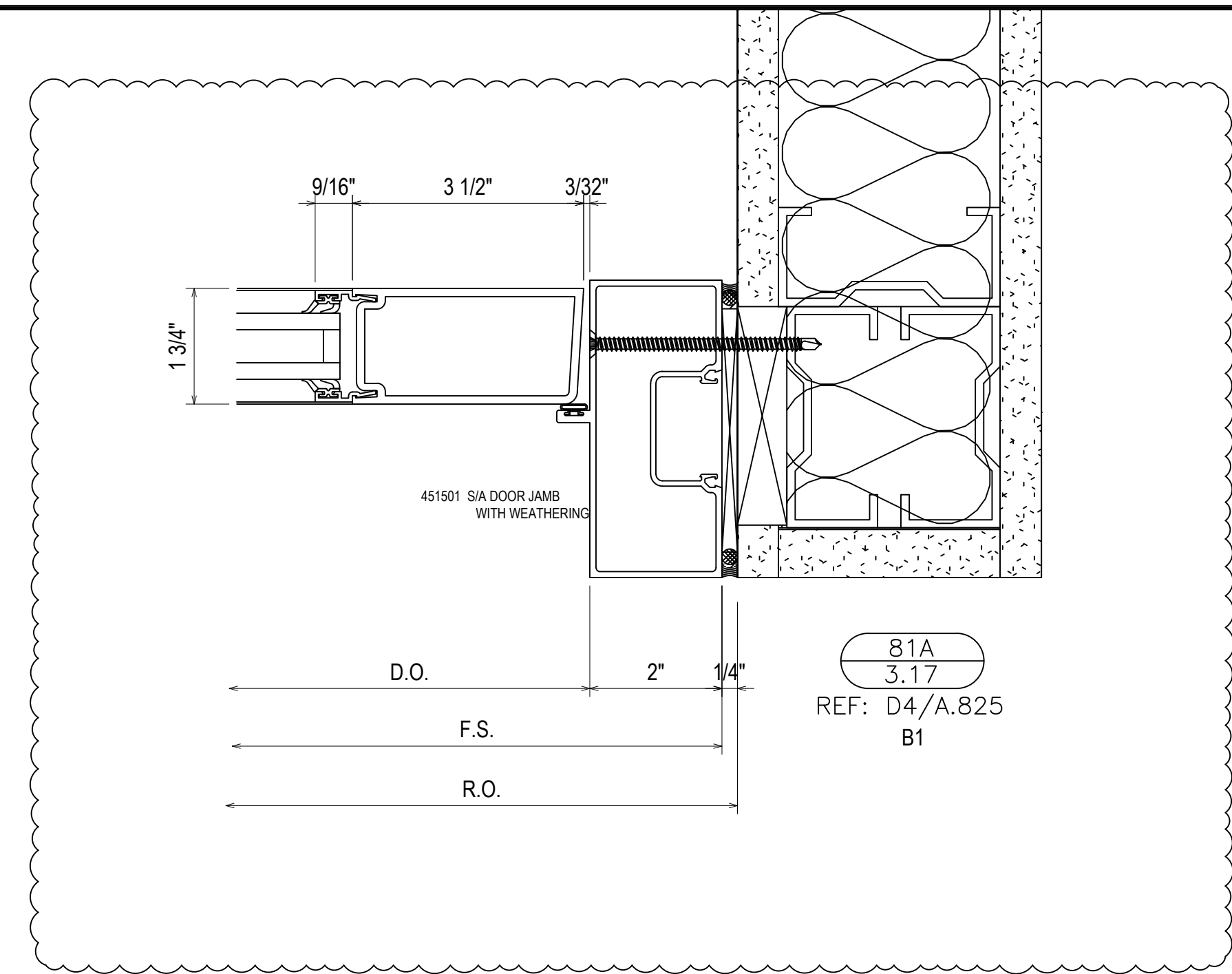
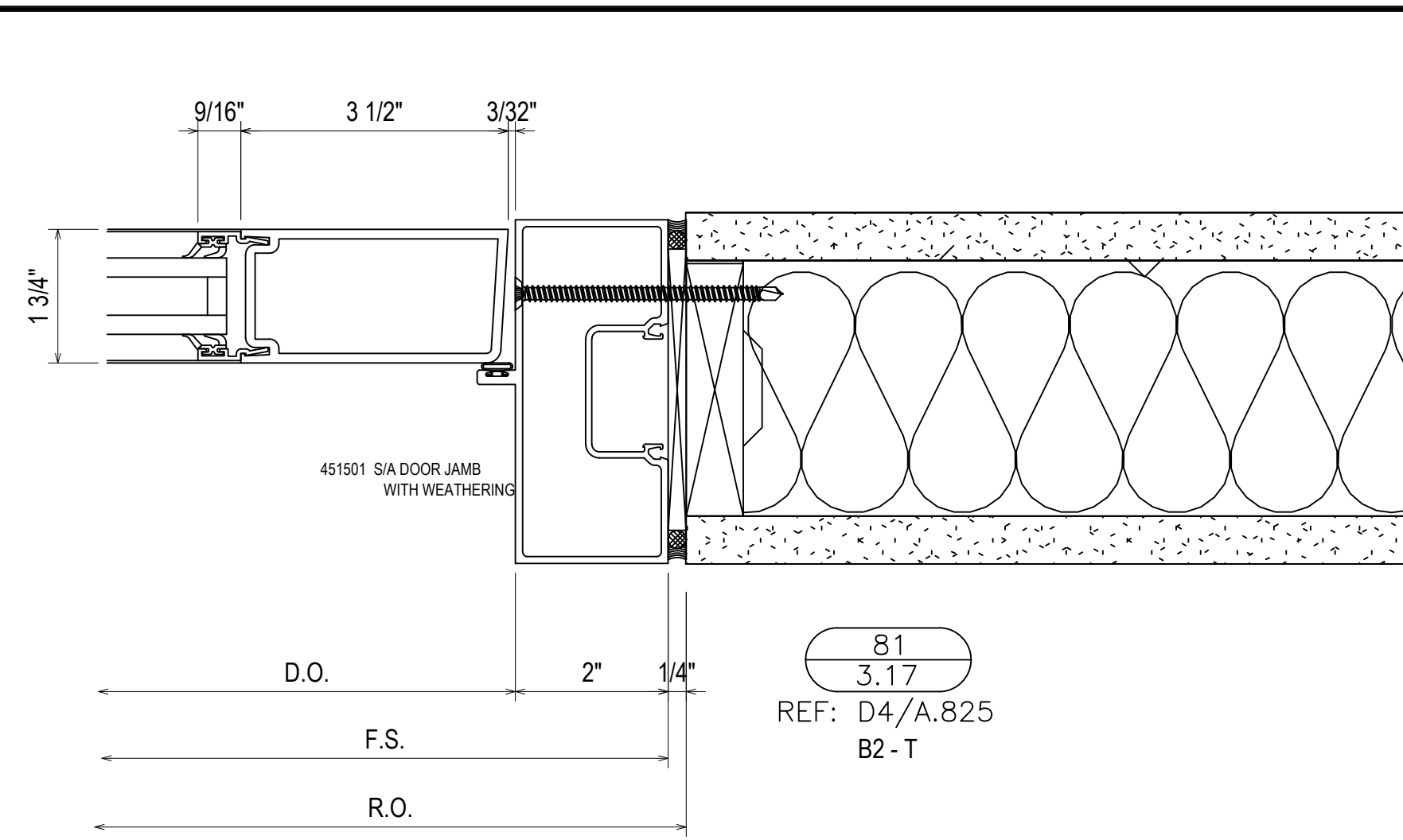
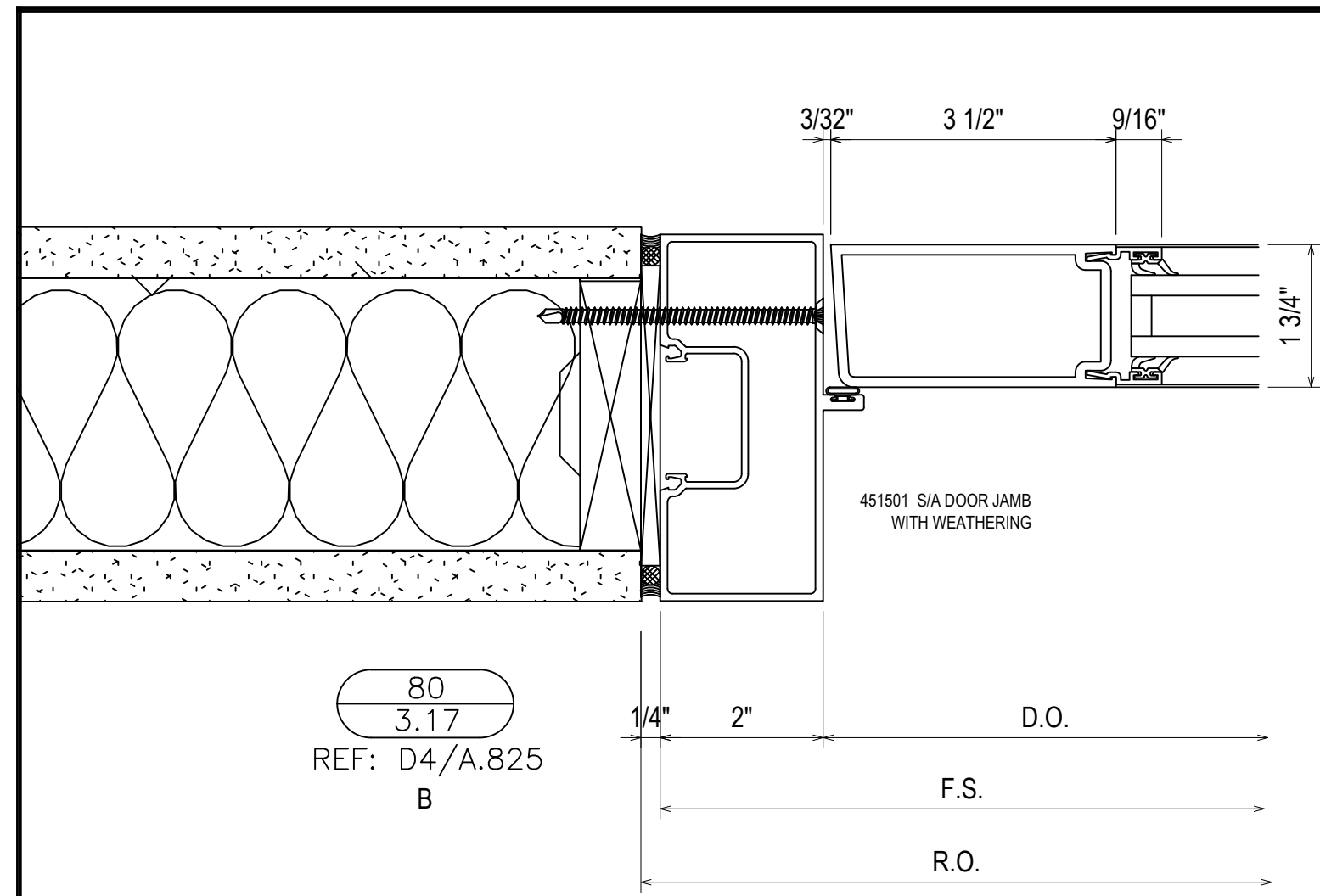
12.16.22	1ST SUBMISSION
04.21.23	1ST REVISION
06.01.23	2ND REVISION(ENGINEERING)
	NO
	DESCRIPTION
	DATE
	DRAWING SUBMISSION

THE THEUT COMPANY, LLC
P.O. BOX 894
1317 BUSINESS 71 N
COLUMBUS, TX 78934
P: 979.732.2201

PROJECT: DR. SHANNON WALKER
NEIGHBORHOOD LIBRARY

LOCATION: 5505 BELROSE DRIVE
HOUSTON, TX 77035

DRAWN BY: CW	DATE: 12.16.22
CHECKED BY: ST	DATE: 12.16.22

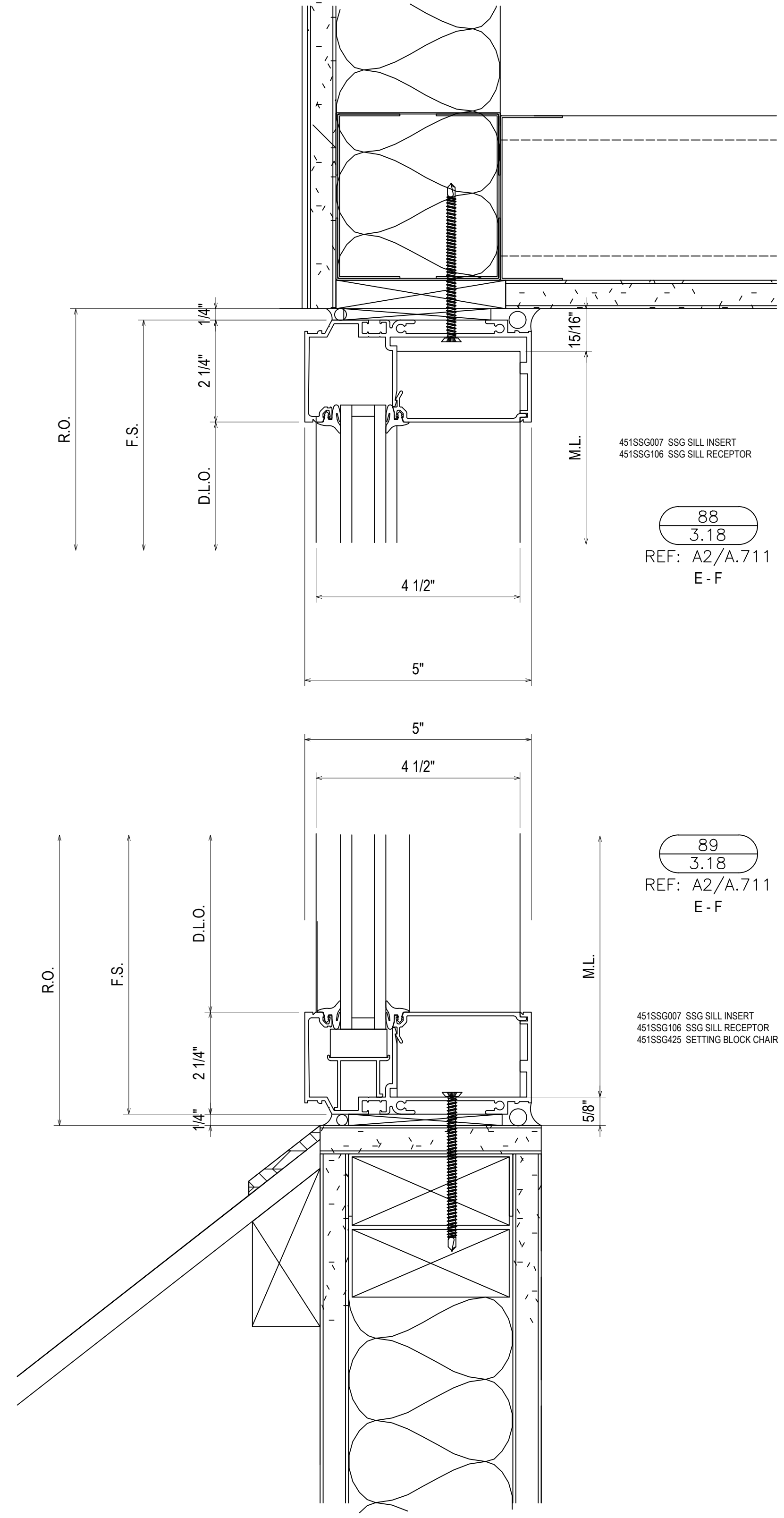


12.16.22	1ST SUBMISSION
04.21.23	1ST REVISION
06.01.23	2ND REVISION(ENGINEERING)
	NO
DATE	DESCRIPTION
	DRAWING SUBMISSION

THE THEUT COMPANY, LLC
P.O. BOX 894
1317 BUSINESS 71 N
COLUMBUS, TX 78934
P: 979.732.2201

PROJECT: DR. SHANNON WALKER
NEIGHBORHOOD LIBRARY
LOCATION: 5505 BELROSE DRIVE
HOUSTON, TX 77035

DRAWN BY: CW	DATE: 12.16.22
CHECKED BY: ST	DATE: 12.16.22



451SSG007 SSG SILL INSERT
451SSG106 SSG SILL RECEPTOR

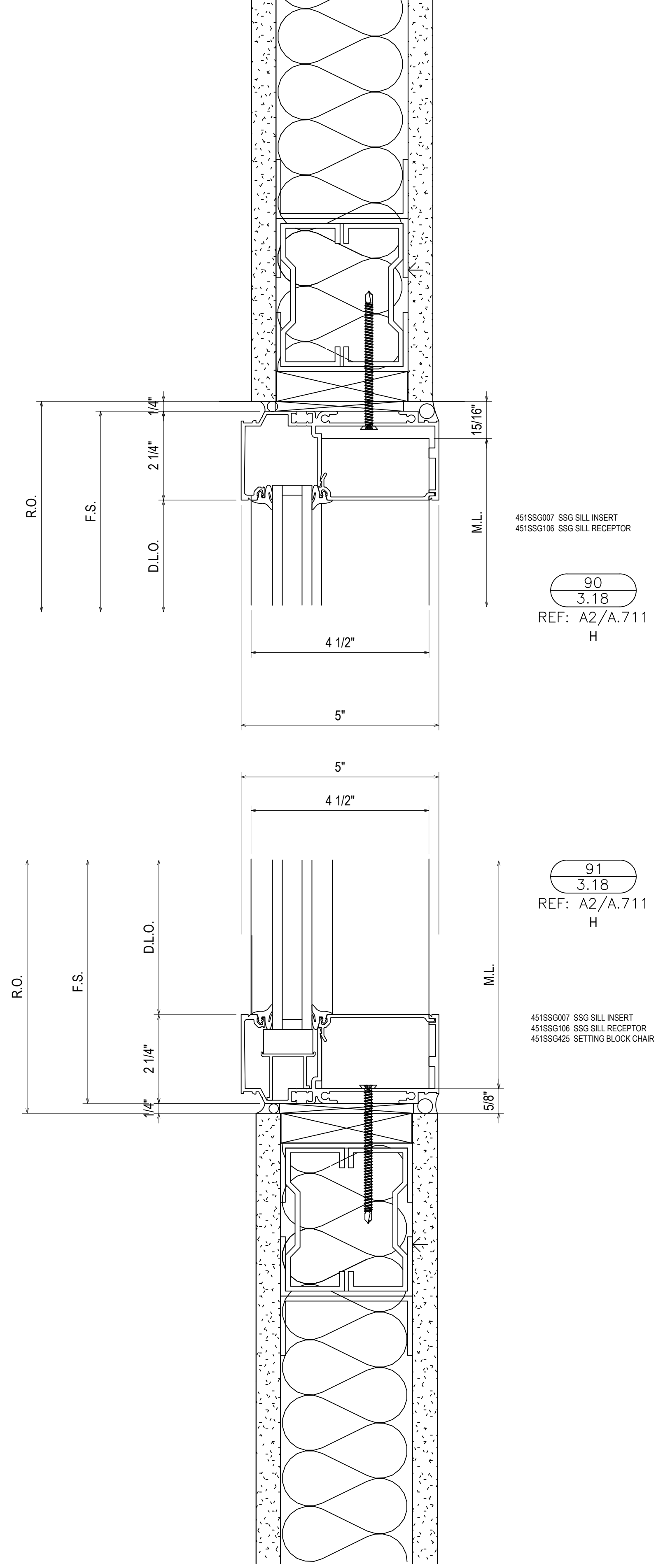
88
3.18

REF: A2/A.711
E - F

89
3.18

REF: A2/A.711
E - F

451SSG007 SSG SILL INSERT
451SSG106 SSG SILL RECEPTOR
451SSG425 SETTING BLOCK CHAIR



451SSG007 SSG SILL INSERT
451SSG106 SSG SILL RECEPTOR

90
3.18

REF: A2/A.711
H

91
3.18

REF: A2/A.711
H

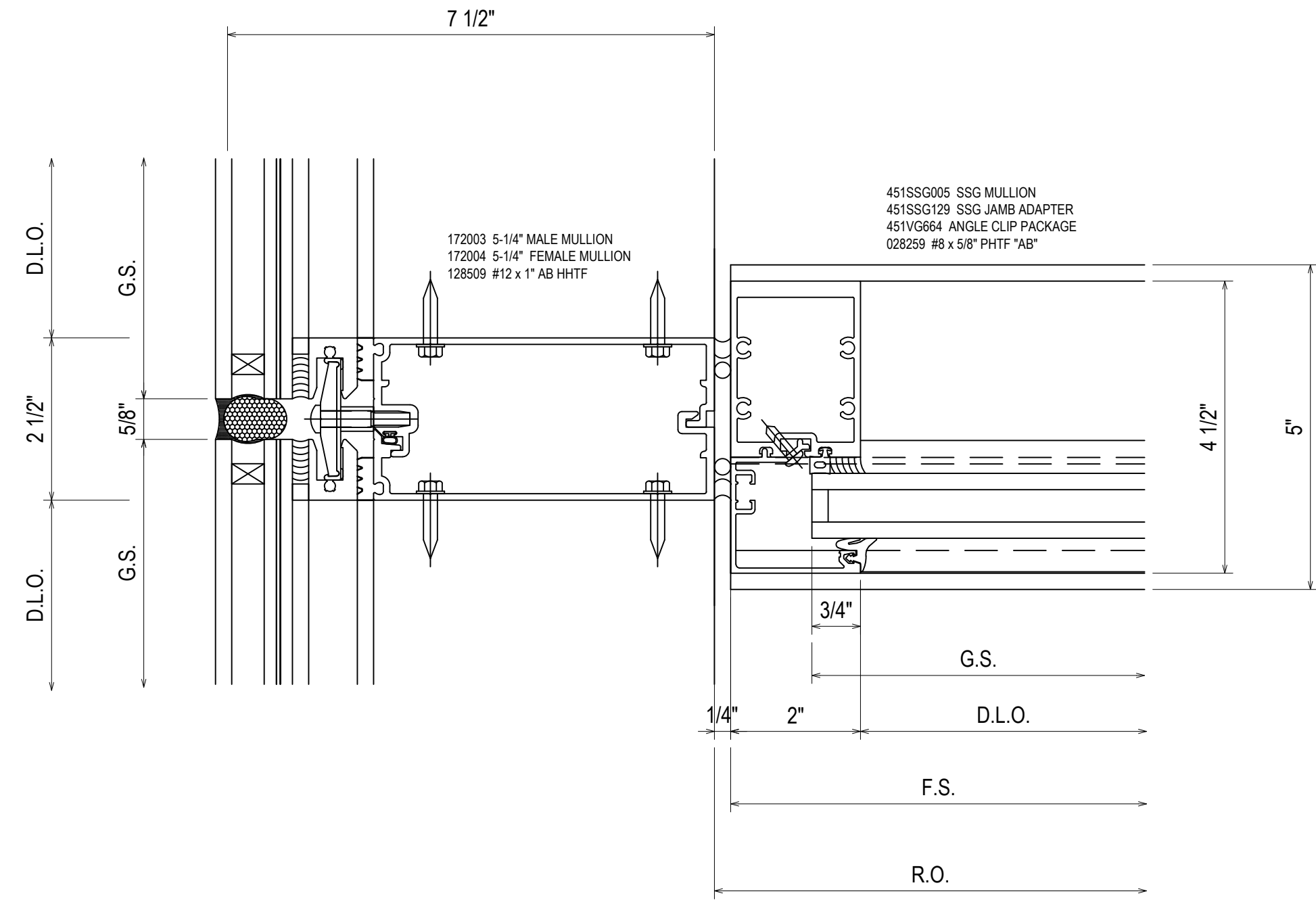
451SSG007 SSG SILL INSERT
451SSG106 SSG SILL RECEPTOR
451SSG425 SETTING BLOCK CHAIR

12.16.22	1ST SUBMISSION
04.21.23	1ST REVISION
06.07.23	2ND REVISION(ENGINEERING)
	NO
	DESCRIPTION
	DATE
	DRAWING SUBMISSION

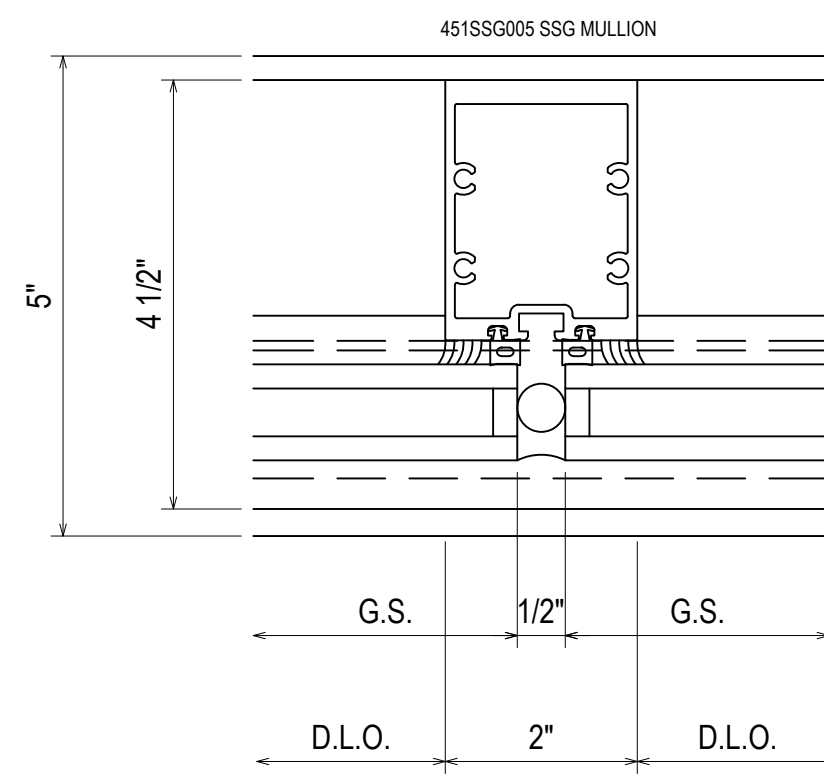
THE THEUT COMPANY, LLC
P.O. BOX 894
1317 BUSINESS 71 N
COLUMBUS, TX 78934
P: 979.732.2201

PROJECT: DR. SHANNON WALKER
NEIGHBORHOOD LIBRARY
LOCATION: 5505 BELROSE DRIVE
HOUSTON, TX 77035

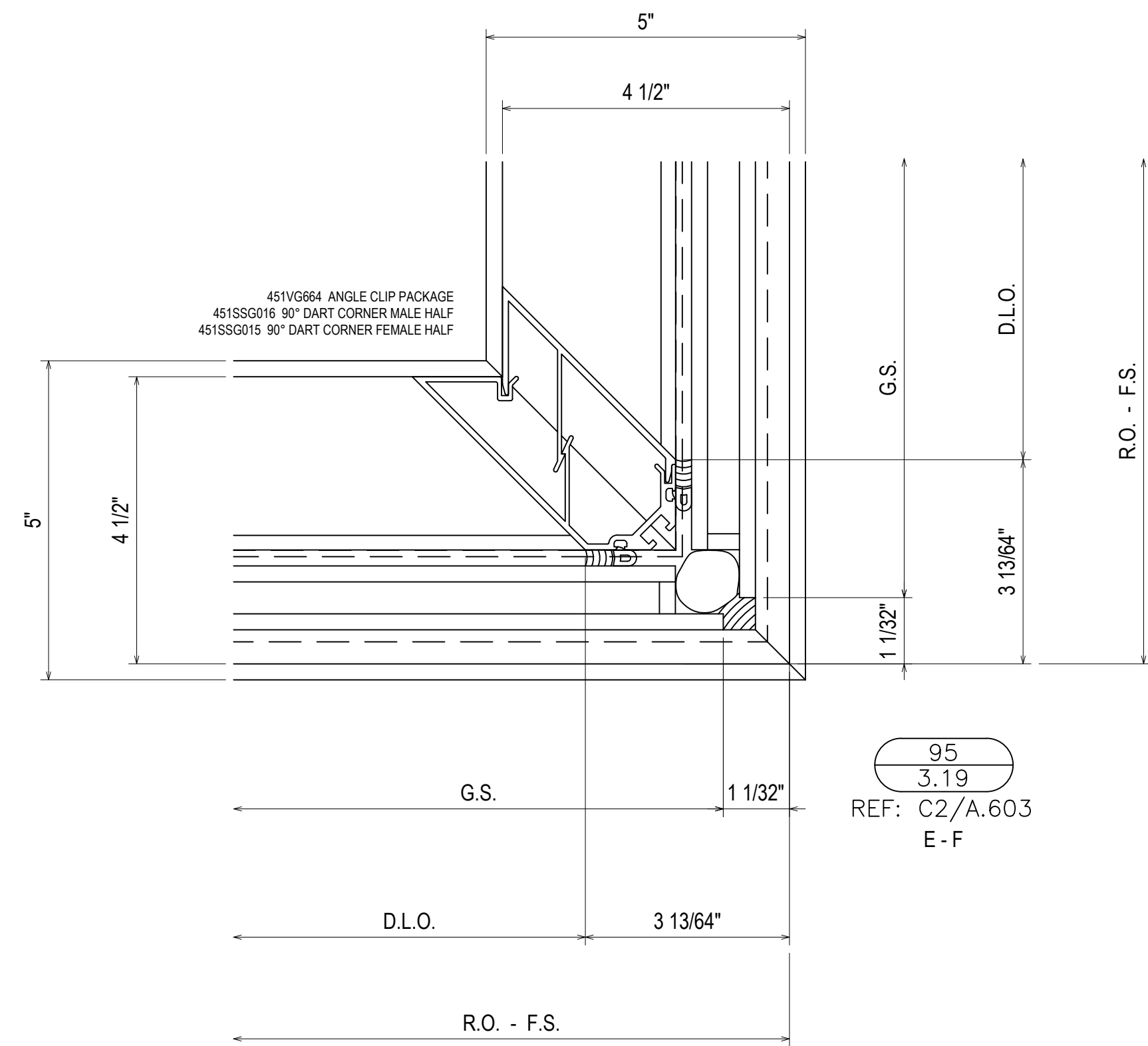
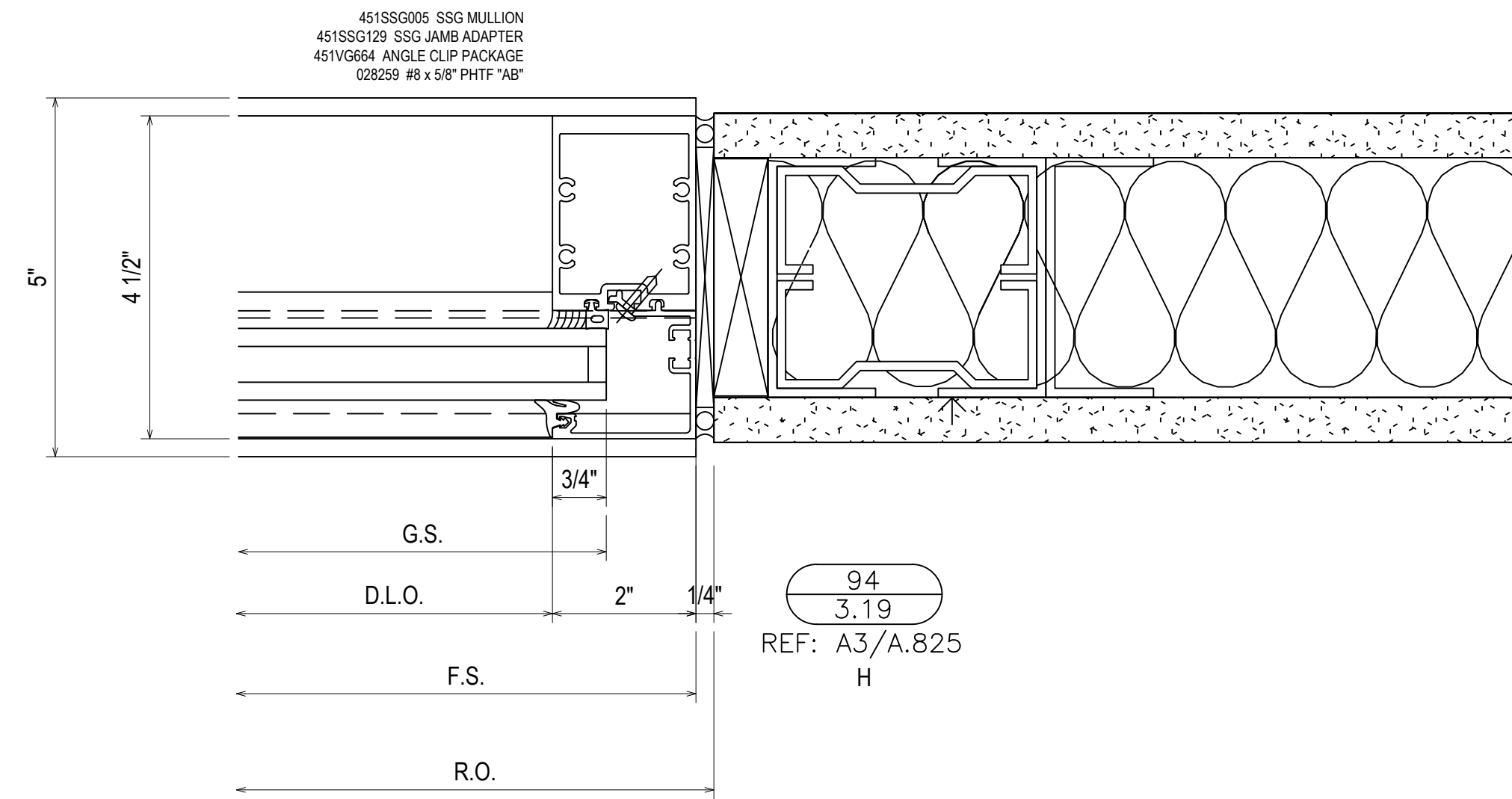
DRAWN BY: CW	DATE: 12.16.22
CHECKED BY: ST	DATE: 12.16.22



92
3.19
REF: D5/A.602
MM - H



93
3.19
REF: N/A
E - F - H



95
3.19
REF: C2/A.603
E - F

1ST SUBMISSION	12.16.22
1ST REVISION	04.21.23
2ND REVISION(ENGINEERING)	06.07.23
NO	DATE
DESCRIPTION	DRAWING SUBMISSION

THE THEUT COMPANY, LLC
P.O. BOX 894
1317 BUSINESS 71 N
COLUMBUS, TX 78934
P: 979.732.2201

PROJECT: DR. SHANNON WALKER
NEIGHBORHOOD LIBRARY

LOCATION: 5505 BELROSE DRIVE
HOUSTON, TX 77035

DRAWN BY:	DATE:
CW	12.16.22
CHECKED BY:	DATE:
ST	12.16.22