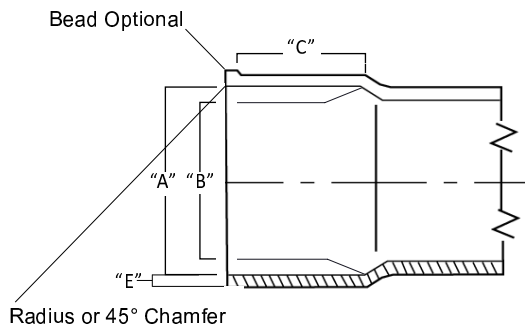


# 45° 1/8 BEND STREET ELL | TECHNICAL INFORMATION



### Fittings Socket Dimensions - Inches

Nominal Size	A	B	C
4"	4.235±0.009	4.210±0.009	1.75
6"	6.305±0.011	6.270±0.011	3.000

### Pipe Dimensions Minimum Wall Thickness

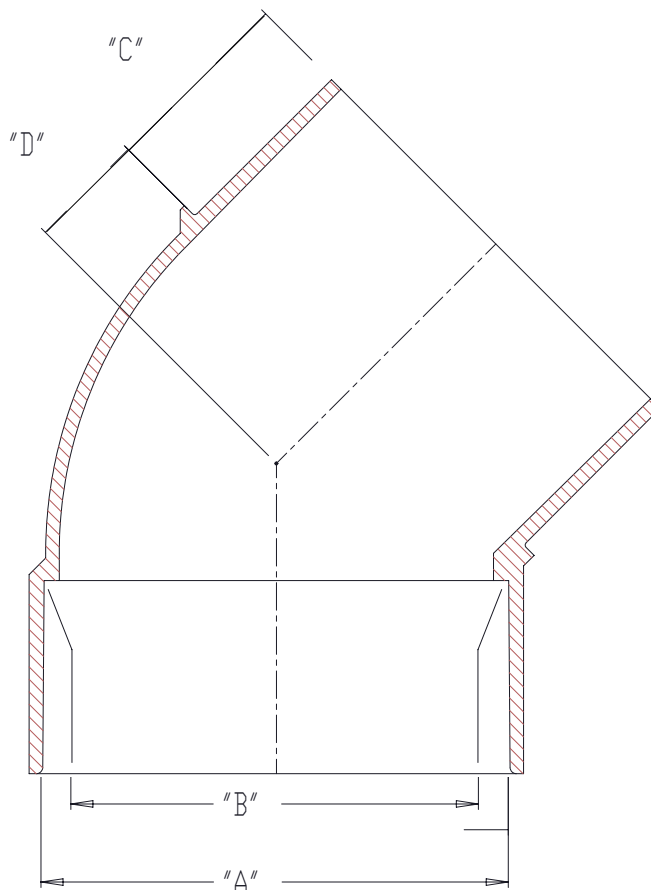
Outside Diameter		SDR 35	
Nominal Size	Average	Tolerance on Average	E
4"	4.215	±0.009	0.120
6"	6.275	±0.011	0.180

## 45° 1/8 BEND STREET ELL Sewer Hub x Sewer Spigot

Part #	Size	Desc.	D
V-604	4"	HxS	1.062
V-606	6"	HxS	1.375



**Normandy Products are proudly  
made in the USA.**



[www.normandyproducts.com](http://www.normandyproducts.com)

T: 800.322.9463 | F: 800.910.0134

324 Delaware Avenue | PO Box 446 | Oakmont PA 15139