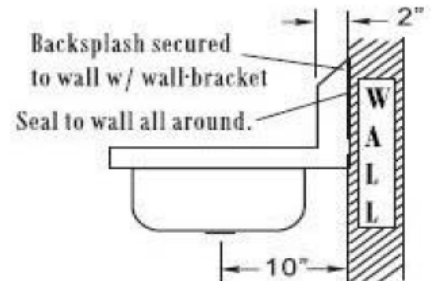
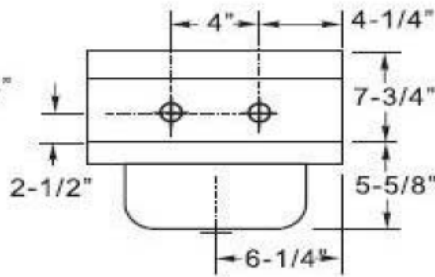
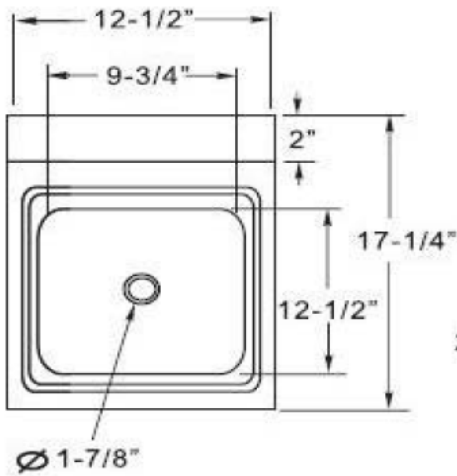


WICKETTS STAINLESS

Stainless Steel Hand Sink
WHS 1217-SSG LEAD FREE

SPECIFICATION



Product #	Description
WHS 1217-WG	12 x 17 Space Saver Wall Mount Hand Sink With Lead Free Faucet

Wicketts Stainless, LLC. 2618
San Miguel Dr. Bldg.# 376
Newport Beach, CA 92660
Tel: 951-858-2548
Fax: 951-638-9059
www.wickettsstainless.com
Sales@wickettsstainless.com



WARNING:
This product can expose you to chemicals, which are known to the State of California to cause cancer. For more information, visit www.P65Warnings.ca.gov.

Approved for Manufacturing
Company: _____
Signature: _____
Print: _____ Date: ___/___/___