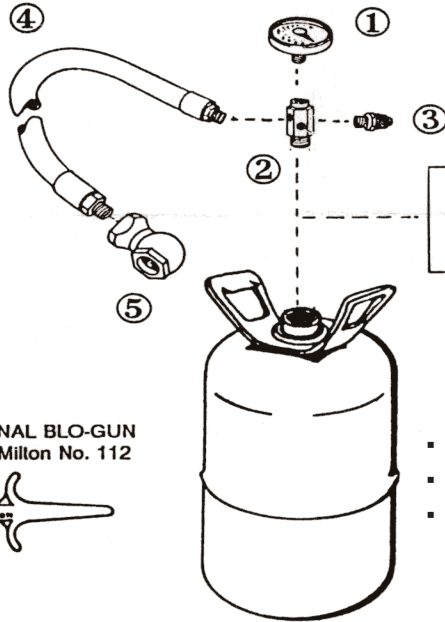


TANK CONVERSION KIT Milton Model s682

USE PIPE JOINT SEALER ON
ALL THREADED CONNECTIONS



NOTE: A 3/4 to 3/8
pipe bushing may be
required for certain
tanks. Not supplied.

OPTIONAL BLO-GUN
Order Milton No. 112



TANK FILLING

- Fill with compressed air only.
- Do not exceed 160 PSI.
- Do not fill from bottled gas tanks.

WARNING

This kit is not intended for use on non-refillable containers, such as those built to DOT-39 specifications.

ITEM	DES.	PART
1	Gauge	638-7
2	Manifold	682-2
3	Filler valve	684
4	Hose, w/chuck	689
5	Chuck only	699

IMPORTANT

Periodically drain any condensate that may have formed. To do this, inflate tank with air, invert it and depress the chuck valve pin. Continue until only dry air exits the chuck.