

Customer Name: _____

Chassis style & Yr: _____

Do you need any parts?

Company: _____

OEM Part #: _____

Cap

Phone #: _____

Select Finish: Milgrade Polished

1/2" Plug

Fax #: _____

Do you need any mounting hardware?

Vent

Straps Mtg Kit Combo Kit


Sending Unit

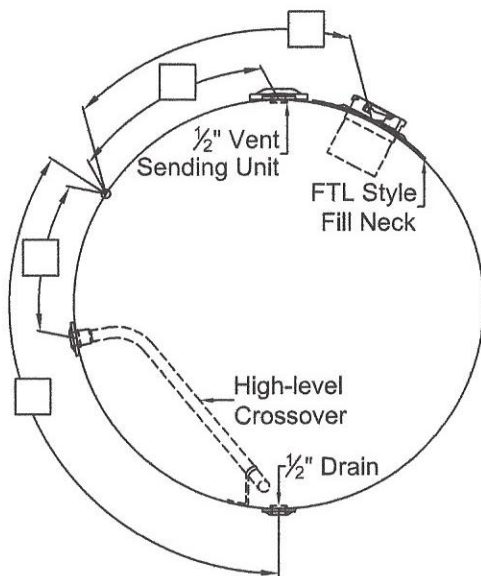
Please note parts and mounting are not included in the price of the tank.

Other

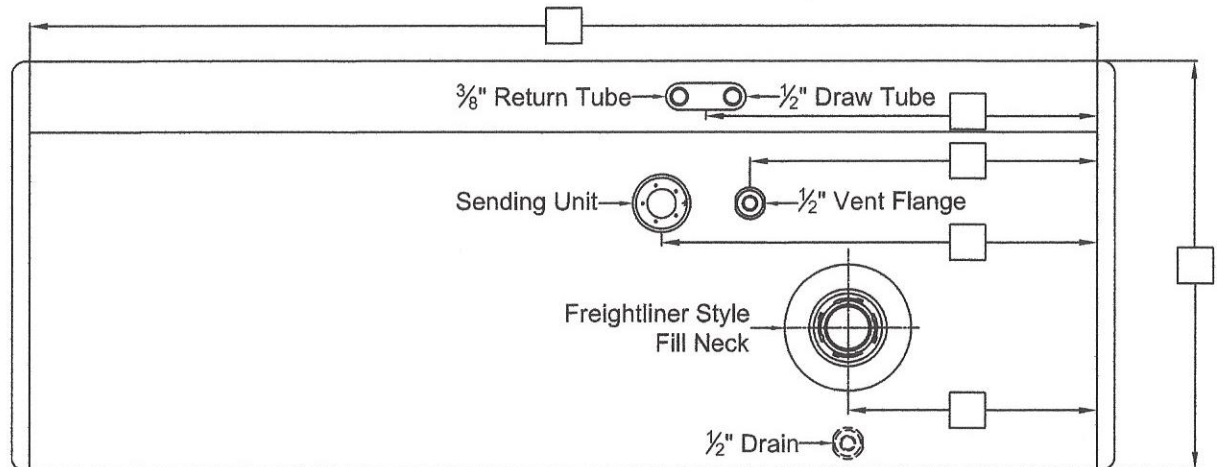
Your configuration may vary,
please provide appropriate
changes

Freightliner Style

Truck Front
Ditch Side 



Viewed from rear
of ditch side



Please note: All sizes are NPTF unless otherwise noted and reference all measurements from the lateral weld seam and the end cap weld seam to the center of the fittings.

SouthTowns Specialties, LLC

5651 Cole Road
West Valley, NY 14171
716-592-4993