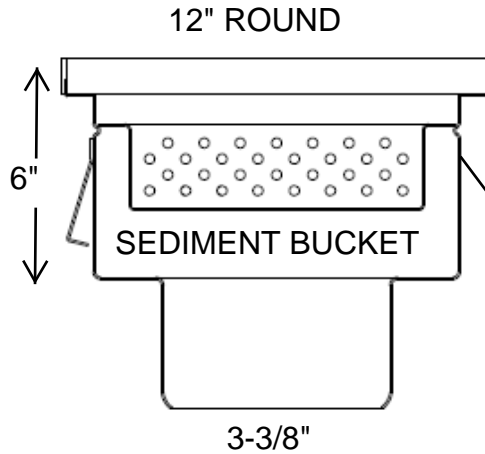


# WICKETTS STAINLESS SPECIFICATION

WFD-12-6-SG-304 SS ROUND TOP  
12" Floor Drain



**Engineering Specification: 12" FLOOR DRAIN** .Construction 304 Stainless Steel Body; Slotted Traffic Grates; Sediment Basket.

WICKETTS STAINLESS, LLC  
2618 San Miguel Dr.# Bdg. 376  
Newport Beach, CA 92660  
www.wickettsstainless.com  
sales@wickettsstainless.com



Approved for Manufacturing  
Company: \_\_\_\_\_  
Signature: \_\_\_\_\_