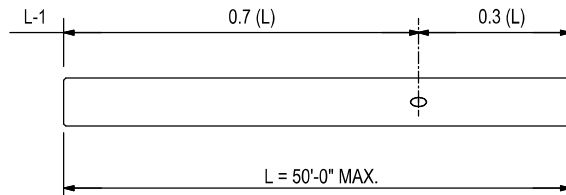
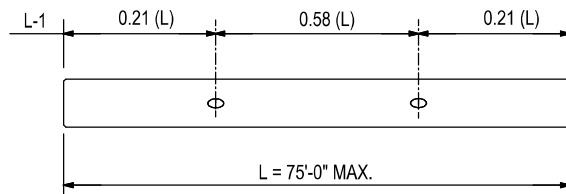


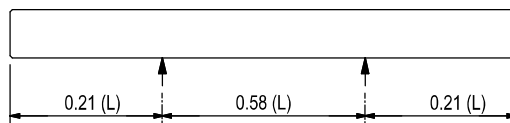
ELEVATION



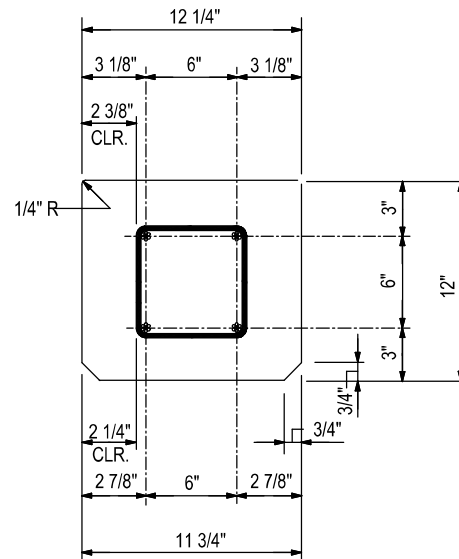
ONE POINT PICK-UP



PICK-UP POINT DIAGRAMS



STORAGE/SHIPPING POINTS



TYPICAL SECTION

CAST IN ITEMS		
MK. NO.	QTY.	DESCRIPTION
L1	2	1/2" STRAND LIFT HOOKS
X1	1	3" COOR PLASTIC CHASE

SECTION PROPERTIES			
AREA (SQ. IN.)	142.9	WT. (LB/LF)	145
PERIM. (FT.)	4.00		
MAX. ALLOW. CONCENTRIC SERV. LOAD (COMP.) = 129 TON (BASED ON $f_{pc} = 700$ psi)			

- MOMENT OF INERTIA (IN<sup>4</sup>) = 1.691
- GENERAL NOTES**
- 1) CONCRETE STRENGTH = 6000 PSI @ 28 DAYS.
  - 2) 1/2" DIA. STRAND TO HAVE A MINIMUM ULTIMATE STRENGTH OF 270 KSI AS PER ASTM A416 (A = 0.153 SQ. IN.)
  - 3) SPIRAL WIRE TO BE W3.4 (5 GAUGE) COLD DRAWN WIRE
  - 4) STRANDS TO BE CUT OFF FLUSH WITH PILE ENDS.
  - 5) TENSION PER STRAND = 31.0 K.
  - 6) TRANSFER OF PRESTRESS FORCE @ 3500 PSI CONCRETE STRENGTH.
  - 7) HANDLING LENGTHS BASED ON INCLUDING 50% IMPACT FACTOR & MAX. TENSILE STRESS =  $6\sqrt{3500}$
  - 8) LIFTING HOOKS ARE FOR MFG. PROCESS ONLY. THEY ARE NOT TO BE USED TO BRING THE PILE UNDER THE HAMMER.
  - 9) EXACT PILE CAPACITY SHOULD BE DETERMINED BY A PROFESSIONAL GEOTECHNICAL ENGINEER.
  - 10) PROPER DESIGN & DETAILING OF TENSION OR MOMENT CONNECTION TO PILE CAP IF REQUIRED, IS THE RESPONSIBILITY OF THE ENGINEER OF RECORD.

Prepared By: **RJW Consulting International, Inc.**  
2518 Catalina Dr. Orlando, FL 32805  
(407) 493-7573

Prepared For: **HENDERSON PRESTRESSED CONCRETE**  
822 ANCLOTE RD.  
TARPON SPRINGS, FL 34689  
727-938-2828  
hendersonprestressedconcrete.com

Drawn: **RJW** Issued (Prelim.): 08/28/18

Checked: Issued (Production):

Project:

12" 4W IBC PILE			
REV.	DATE	DESCRIPTION	MARK NO.
REVISIONS			
NOTE: THIS DRAWING IS THE PROPERTY OF HENDERSON PRESTRESSED CONCRETE, INC. (HPC) AND SHALL NOT BE REPRODUCED BY ANY MEANS WITHOUT THE EXPRESSED WRITTEN CONSENT OF HPC.			DWG. NO.