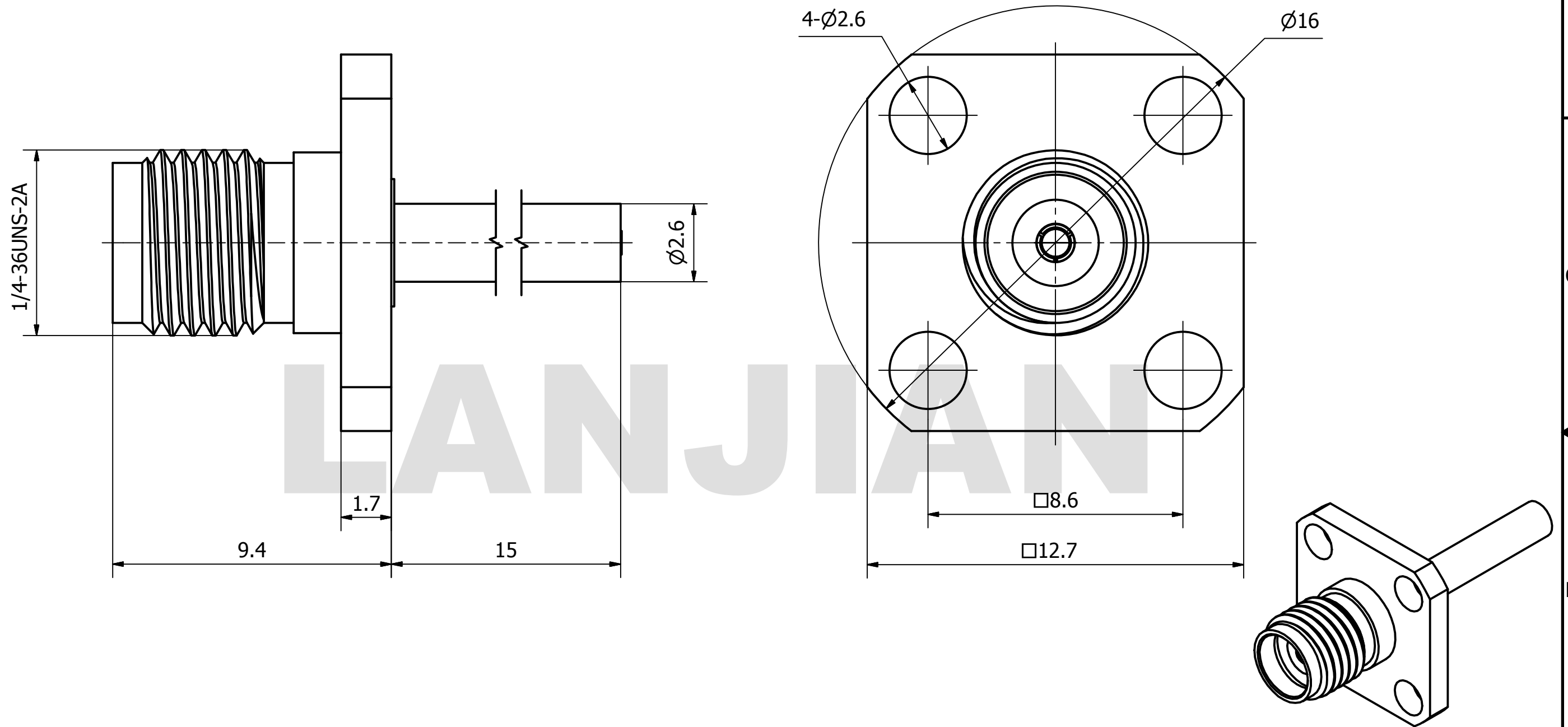


# PRODUCT DATA SHEET



**MATERIAL:**  
**BODY:** STAINLESS STEEL PER AMS-5640, ALLOY UNS S30300  
**JACK:** BERYLLIUM COPPER PER ASTM B196. ALLOY NO. UNS C17300  
**INSULATOR:** PTFE & PEI

**PERFORMANCE:**  
**IMPEDANCE:** 50 OHMS  
**FREQUENCY:** DC TO 40 GHz  
**VSWR:** ≤1.30

THIS DOCUMENT CONTAINS CONFIDENTIAL AND PROPRIETARY INFORMATION THAT CANNOT BE REPRODUCED OR DIVULGED, IN WHOLE OR IN PART, WITHOUT WRITTEN AUTHORIZATION FROM "LANJIAN ELECTRONICS"	MATERIAL :			 38 Hengtong Road, Xinqu Dingmao Zhenjiang, 212009, Jiangsu, P. R. China	
	UNLESS OTHERWISE SPECIFIED: DIMENSIONS IN MM				
	TOLERANCES :				
	X.X	± 0.20	ANGULAR : ± 1°	DEBURR AND BREAK SHARP EDGES	
	X.XX	± 0.10	FILLETS R/C : ± 0.10		
	X.XXX	± 0.01	SURFACE FINISH : Ra 1.6		
		NAME	DATE	SIGNATURE	
	DRAWN				
	CHK'D				
	APPV'D				
MFG					
PROJECTION		SIZE	SCALE	DWG No.	REV.
		A3	7 : 1	GCPZ3.660.C.010	
DO NOT SCALE THE DRAWING				PAGE	1 / 1

**2.92-KFD5G-1 straight connector**