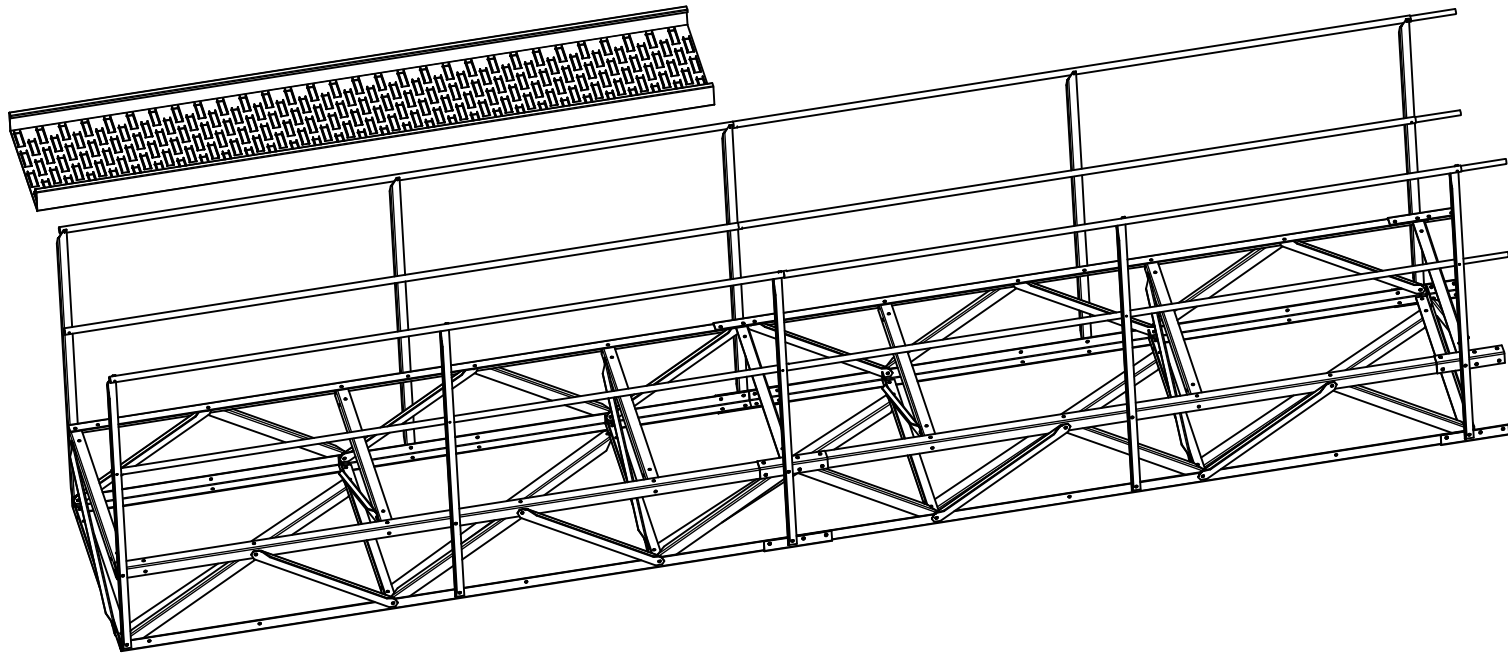


64420 Conveyor Support

20' 64420 Conveyor support.
 Manwalk can be placed on either side of manwalk.



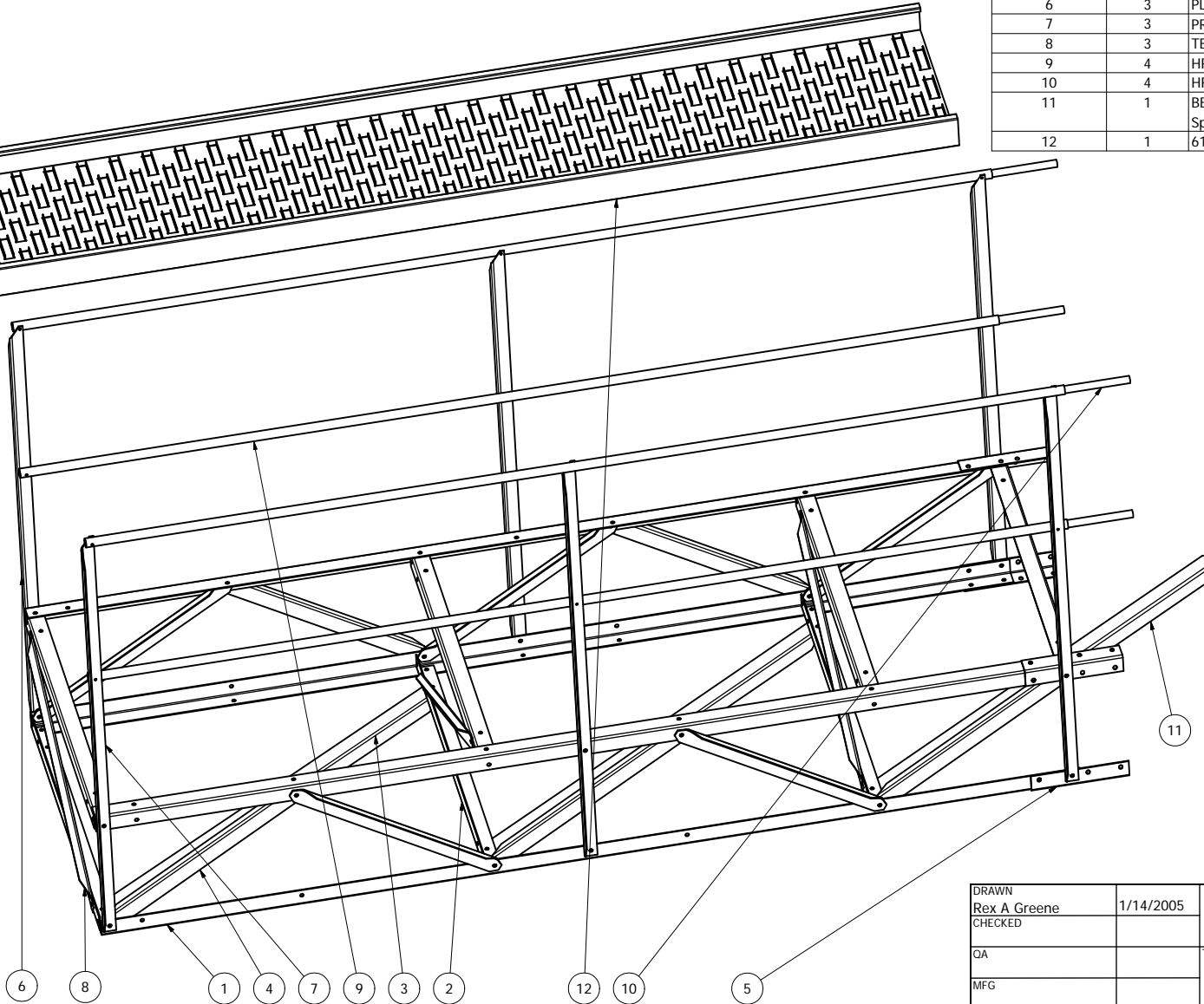
Make sure on both sides the Siderail Braces form W's
 On bottom the Bottom Brace form Z's.
 The Tie Braces alternate to form X's when looking from the end.

Use Hardware provided DO NOT Substitute
 7/16 x 1 grade 5 bolts
 7/16 whiz nuts
 stitch screw for handrails
 tech screws for mounting manwalk to support
 Hold sections straight when tightening.
**DO NOT drill holes out. This will allow support
 to sag and reduce strength.**

DRAWN Rex A Greene	1/14/2005	Greene Welding and Hardware Inc. Greene Galvanized Stairs 217/375/4244 www.greenebinstairs.com		
CHECKED		TITLE		
QA		MFG		
APPROVED		SIZE C	DWG NO 64420 Conveyor Ins	REV
		SCALE NA	SHEET 1 OF 4	

64420 Starter section

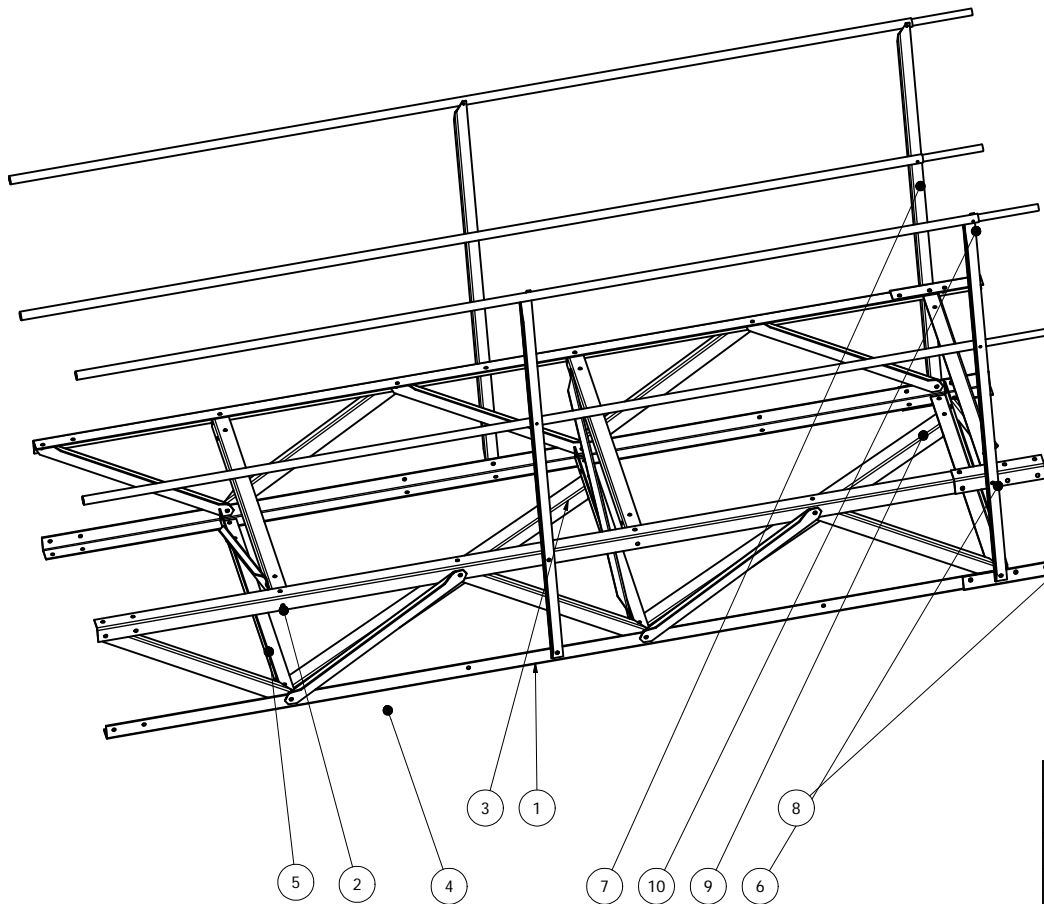
Parts List			
ITEM	QTY	PART NUMBER	DESCRIPTION
1	4	SR1010 Siderail	2" X 2" X 120" X 10 ga L
2	7	CT0042 42 cross tie	2" x 2" x 42" x 10 ga L
3	2	BB0042 Bottom Brace 42	2" x 2" x 59.75" x 10 ga L
4	10	SB0027 Side Brace	1" x 2" x 29.5 x 10 ga L
5	4	SS0010 Siderail Splice	2" x 2" x 12" x 10 ga L
6	3	PL0027 27 post Left	1.5" x 1.5" x 59" x 10 ga L
7	3	PR0027 27 post right	1.5" x 1.5" x 59" x 10 ga L
8	3	TB4227 Tie Brace	1" x 2" x 38 5/8" x 10 ga L
9	4	HR1120 Handrail 120	1" x 120" Tube
10	4	HRS185 Handrail splice	7/8" x 8" Tube
11	1	BBS042 Bottom Brace for Splice	2" x 2" x 59.75 x 10 ga L
12	1	61610 Manwalk	24" x 120" 16 ga Manwalk



DRAWN Rex A Greene		1/14/2005	Greene Welding and Hardware Inc. Greene Galvanized Stairs 217/375/424 www.greenebinstairs.com	
CHECKED			TITLE	
QA			SIZE	
MFG			C	
APPROVED			DWG NO	
			64420 Conveyor Ins	
		SCALE	NA	REV
				SHEET 2 OF 4

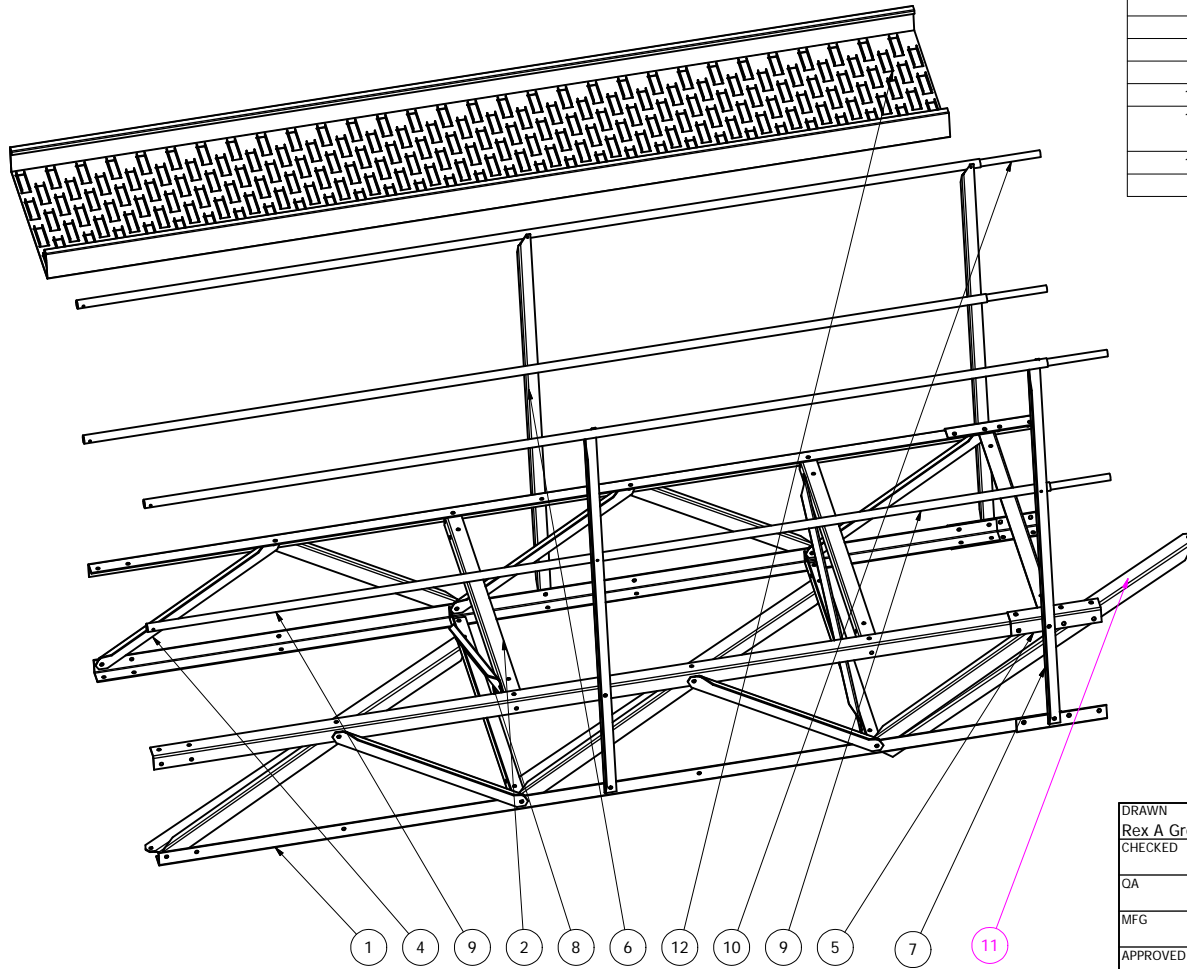
64420 Even sections

Parts List			
ITEM	QTY	PART NUMBER	DESCRIPTION
1	4	SR1010 Siderail	
2	6	CT0042 42 cross tie	
3	2	BB0042 Bottom Brace 42	
4	10	SB0027 Side Brace	
5	3	TB4227 Tie Brace	
6	2	PR0027 27 post right	
7	2	PL0027 27 post Left	
8	4	SS0010 Siderail Splice	
9	4	HR1120 Handrail 120	
10	4	HRS185 Handrail splice	



DRAWN Rex A Greene		1/14/2005	Greene Welding and Hardware Inc. Greene Galvanized Stairs 217/375/4244 www.greenebinstairs.com	
CHECKED			TITLE	
QA			MFG	
APPROVED			SIZE C	DWG NO 64420 Conveyor Ins
		SCALE NA	REV	
		SHEET 3 OF 4		

64420 Odd Sections



Parts List			
ITEM	QTY	PART NUMBER	DESCRIPTION
1	4	SR1010 Siderail	
2	5	CT0042 42 cross tie	
4	10	SB0027 Side Brace	
5	4	SS0010 Siderail Splice	
6	2	PL0027 27 post Left	
7	2	PR0027 27 post right	
8	2	TB4227 Tie Brace	
9	4	HR1120 Handrail 120	
10	4	HRS185 Handrail splice	
11	2	BBS042 Bottom Brace for Splice	
12	1	61610 Manwalk	
3	1	BB0042 Bottom Brace 42	

DRAWN Rex A Greene	1/14/2005	Greene Welding and Hardware Inc. Greene Galvanized Stairs 217/375/4244 www.greenebinstairs.com	
CHECKED		TITLE	
QA			
MFG			
APPROVED		SIZE C	DWG NO 64420 Conveyor Ins
		SCALE NA	REV
		SHEET 4 OF 4	