



**PARTS LIST
FOR SINGLE DOOR
REACH-IN DUAL ECONOMY
MODELS**



CR/F1-EC

Model Number Breakdown: CR3-EC

C = Entrée

R = Refrigerator

F = Freezer

1 = Number of doors on the unit

EC = EConomy Model

Serial Number Date Code:

Example: 1509ENTH00123

The first two numbers are the Year, 15 = 2015

The second two number are the Month, 09 = September

ENTH = Entrée

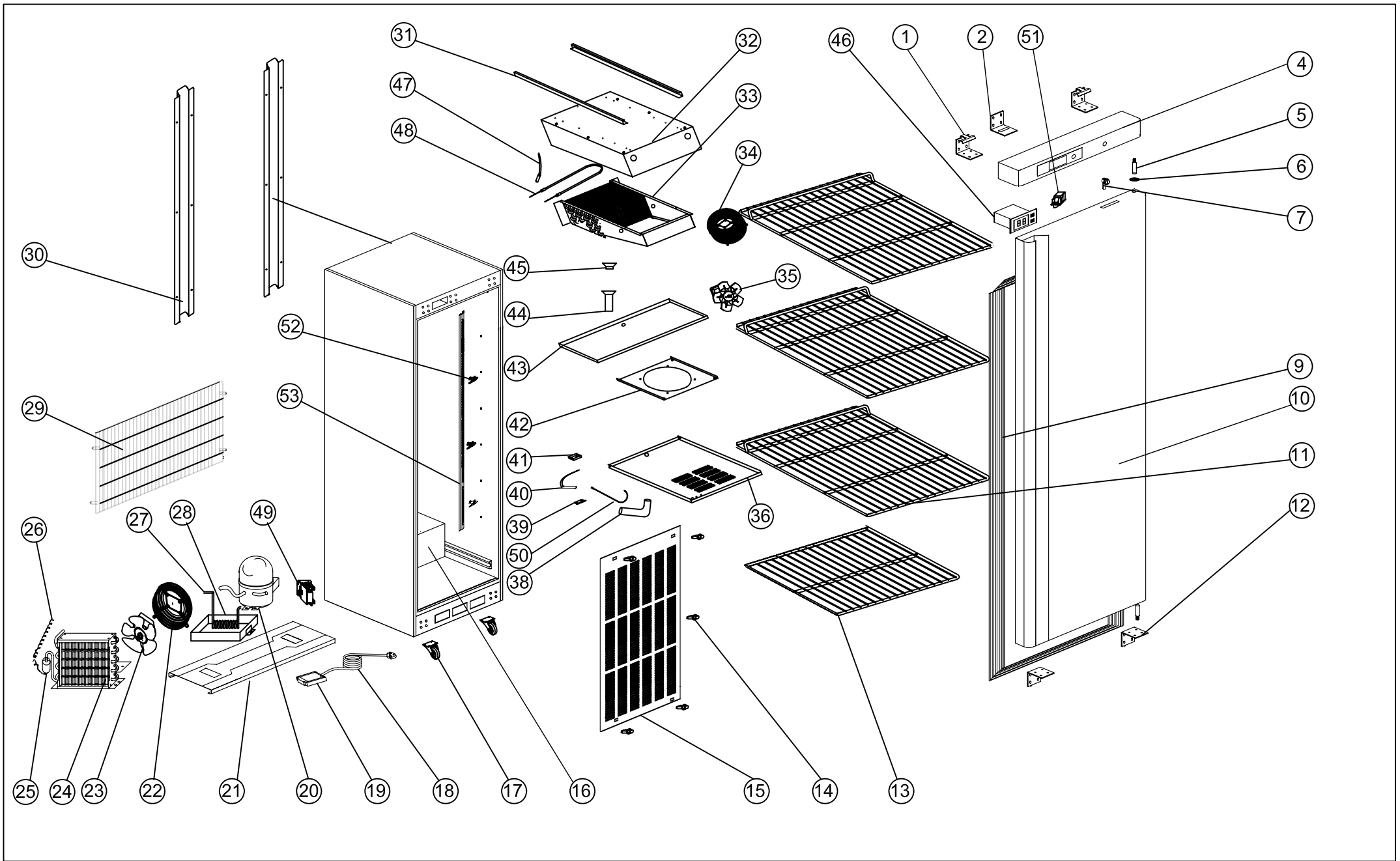
The last FIVE numbers are the numerical sequence of units built that month. In the example this unit would have been the one hundred twenty third unit.

To order parts that are non-warranty, you can contact our parts distributor, Whaley Parts and Supply @ 855-394-8933.

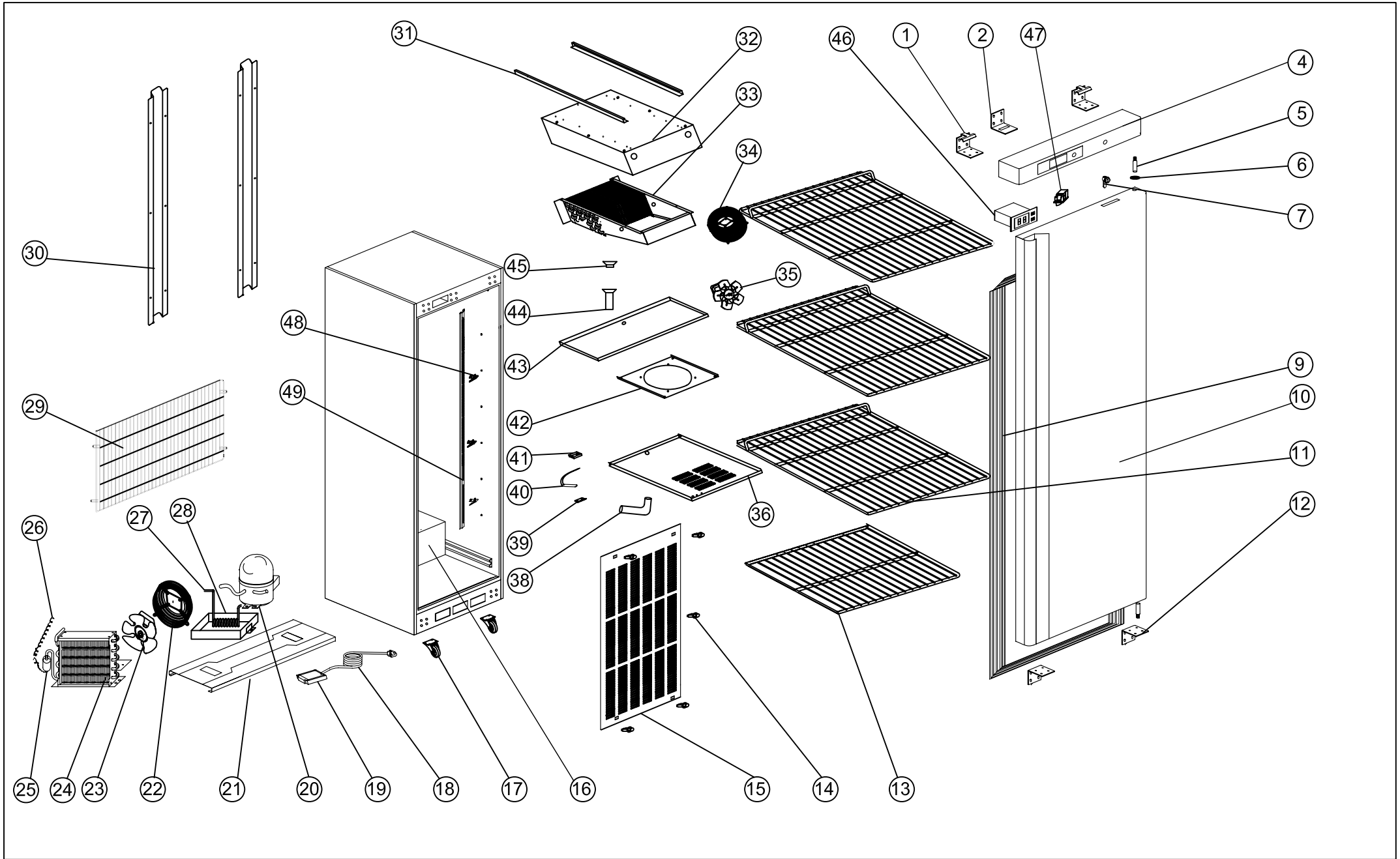
Or, go to their website: [www.whaleyfoodservice .com](http://www.whaleyfoodservice.com)

On Whaley's website you can key in the part number, it will tell you the current list price and how many are available.

If you have any questions, you can contact the Entrée Service Department at 570-752-4602, or email: john@entree.biz



| No. | Entrée # | Description | Qty |
|-----|----------|--------------------------------|-----|
| 1 | HR0330 | UP HINGE (L/R) | 2 |
| 2 | HR0340A | HOOK OF LOCK | 1 |
| 4 | HR0001 | FRONT PANEL | 1 |
| 5 | HR0326 | HINGE AXIS | 2 |
| 6 | HR0327B | BUSHING | 1 |
| 7 | HR0340 | LOCK | 1 |
| 9 | HR0325 | GASKET | 1 |
| 10 | HR0324 | DOOR | 1 |
| 11 | H00309 | SHELF | 3 |
| 12 | HR0333 | DOWN HINGE | 2 |
| 13 | H00309B | BOTTOM SHELF | 1 |
| 14 | HR0002 | EVAPORATOR FIXER | 5 |
| 15 | HR0003 | AIR FLOW CONDUCT BOARD | 1 |
| 16 | NA | BODY | |
| 17 | H02316 | SWIVEL CASTER W/BRAKE | 2 |
| | H02317 | SWIVEL CASTER S/O BRAKE | 2 |
| 18 | C2194684 | PLUG | 1 |
| 19 | H00215 | CABLE CONNECTOR | 1 |
| 20 | H00023F | COMPRESSOR | 1 |
| 21 | NA | UNITE BOARD | |
| 22 | H00113 | BASKETC GUARD GRILLS | 1 |
| 23 | H00120 | CONDENSER FAN | 1 |
| 24 | H01347 | CONDENSER | 1 |
| 25 | H00341 | FILTER DRIER | 1 |
| 26 | H01306 | CAPILLARY | 1 |
| 27 | NA | EVAPORATE PIPE | |
| 28 | C30009 | WATER BOX | 1 |
| 29 | HR0313 | UNITE ROOM GRILLS | 1 |
| 30 | NA | PLASTIC COVER | |
| 31 | NA | EVAPORATOR FIXED BOARD SUPPORT | |
| 32 | NA | FIXED BOARD OF EVAPORATOR | |
| 33 | HR0349 | EVAPORATOR | 1 |
| 34 | H01122 | WALL RING | 1 |
| 35 | H00114 | EVAPORATOR FAN MOTER W/BLADE | 1 |
| 36 | NA | EVAPORATOR FAN COVER | |
| 38 | H00336 | WATER PIPE | 1 |
| 39 | H00335 | SENSOR FIXED CLIP | 1 |
| 40 | H00205 | SENSOR | 1 |
| 41 | NA | PROBE PADDING | |
| 42 | NA | EVAPORATOR FAN SUPPORT | |
| 43 | HR0141 | EVAPORATOR WATER PAN | 1 |
| 44 | G30002 | DRAIN CONNECTOR (FEMALE) | 1 |
| 45 | G00001 | DRAIN CONNECTOR (MALE) | 1 |
| 46 | H00204 | THERMOSTAT | 1 |
| 47 | H00207 | PROTECTOR FOR HEATING ELEMENT | 1 |
| 48 | HR0201 | DEFFROST HEATING ELEMENT | 1 |
| 49 | H00220 | CONTACTOR | 1 |
| 50 | H00211 | WATER PIPE HEATER | 1 |
| 51 | C10002 | DOOR SWITCH | 1 |
| 52 | C3234860 | PILASTER CLIP | 12 |
| 53 | HR0342 | PILASTER SUPPORT | 4 |
| | NA | SUCTION PIPE COVER | |



| No. | Entrée # | Description | Qty |
|-----|----------|--------------------------------|-----|
| 1 | HR0330 | UP HINGE (L/R) | 2 |
| 2 | HR0340A | HOOK OF LOCK | 1 |
| 4 | HR0001 | FRONT PANEL | 1 |
| 5 | HR0326 | HINGE AXIS | 2 |
| 6 | HR0327B | BUSHING | 1 |
| 7 | HR0340 | LOCK | 1 |
| 9 | HR0325 | GASKET | 1 |
| 10 | HR0324 | DOOR | 1 |
| 11 | H00309 | SHELF | 3 |
| 12 | HR0333 | DOWN HINGE | 2 |
| 13 | H00309B | BOTTOM SHELF | 1 |
| 14 | HR0002 | EVAPORATOR FIXER | 5 |
| 15 | HR0003 | AIR FLOW CONDUCT BOARD | 1 |
| 16 | NA | BODY | 1 |
| 17 | H02316 | SWIVEL CASTER W/BRAKE | 2 |
| | H02317 | SWIVEL CASTER W/O BRAKE | 2 |
| 18 | C2194684 | PLUG | 1 |
| 19 | H00215 | CABLE CONNECTOR | 1 |
| 20 | H00020F | COMPRESSOR | 1 |
| 21 | NA | UNIT BOARD | 1 |
| 22 | H00113 | BASKETC GUARD GRILLS | 1 |
| 23 | H00120 | CONDENSER FAN | 1 |
| 24 | H01347 | CONDENSER | 1 |
| 25 | H00341 | FILTER DRIER | 1 |
| 26 | H01306 | CAPILLARY | 1 |
| 27 | NA | EVAPORATE PIPE | 1 |
| 28 | C30009 | WATER BOX | 1 |
| 29 | HR0313 | UNITE ROOM GRILLS | 1 |
| 30 | NA | PLASTIC COVER | 1 |
| 31 | NA | EVAPORATOR FIXED BOARD SUPPORT | |
| 32 | NA | FIXED BOARD OF EVAPORATOR | 1 |
| 33 | HR0349 | EVAPORATOR | 1 |
| 34 | H01122 | WALL RING | 1 |
| 35 | H00114 | EVAPORATOR FAN MOTER W/BLADE | 1 |
| 36 | NA | EVAPORATOR FAN COVER | 1 |
| 38 | H00336 | WATER PIPE | 1 |
| 39 | H00335 | SENSOR FIXED CLIP | 1 |
| 40 | H00205 | SENSOR | 1 |
| 41 | NA | PROBE PADDING | 1 |
| 42 | NA | EVAPORATOR FAN SUPPORT | 1 |
| 43 | HR0141 | EVAPORATOR WATER PAN | 1 |
| 44 | G30002 | DRAIN CONNECTOR (FEMALE) | 1 |
| 45 | G00001 | DRAIN CONNECTOR (MALE) | 1 |
| 46 | H00219 | THERMOSTAT | 1 |
| 47 | C10002 | DOOR SWITCH | 1 |
| 48 | C3234860 | PILASTER CLIP | 12 |
| 49 | HR0342 | SUPPORT | 4 |



Entrée Service Department Contact info:

John Spock

914 Belair Drive

Berwick PA 18603

1-570-752-4602

Email: john@entree.biz

Website: <http://www.entree.biz>

For non-Warranty Parts please call our Parts Distributor,



WHALEY PARTS & SUPPLY™

137 Cedar Road

Lexington SC 29073

1-855-394-8933

7 AM to 8 PM EST

<http://www.whaleyfoodservice.com/>

email: entreeparts@whaleyparts.com