

Marble Arms® Improved Peep Tang Sight
Part Numbers
Gun Sight Specifications
Installation & Maintenance Instructions



Marble Arms® Improved Peep Tang Sight List by Manufacturer

**Lowest upright height varies depending on gun. Recommended lowest height provided. Short upright/Standard upright.*

Manufacturer	Model	Sight Base #	Screw Set #	*Upright Selection
American Arms	1874 Sharps	991001	995027	Standard
Armi	1874 Sharps	991001	995032	Short
Ballard	#8 Union Hill	991021	995025	Short
Browning	1885 (w/ metal tang)	991001	995001	Short
Browning	78, 1885, (w/out tang)	991001	995026	Short
Browning	53, 65, 1892 (Japan)	991001	995007	Short
Browning	1886	991015	995013	Standard
Browning	71LT	991015	995007	Standard
Browning	1895 (Japan)	991025	995007	Standard
Browning	1895 (Orig)	991025	995017	Standard
Browning	71	991030	995021	Standard
Browning	1892 (Tang Safety)	991035	995024	Standard
Cimarron	1873	991001	995034	Standard
Cimarron	1866	991001	995010	Standard
Colt Lightning	Sm. Frame, CAS Shoot	991011	995029	Standard
EMF	1874 Sharps (not carbine)	991001	995032	Short
Marlin/Glenfield	30GT, 30AS	991020	995015	Short
H&R	Buffalo Classic	991001	995026	Short
Henry	.22 LR, 22Mag, H004, H004M	991011	995006	Standard
Henry	H001, H001T, .22 Lever (not H001V)	991001	995006	Short
Henry	Big Boy .44, 45, 357, 30/30 Mag,	991001	995017	Standard
Marlin	39A,39AS,39M,39TDS	991020	995015	Short
Marlin	1894CB, 1894CBII, 1894S,1894CS, 1897CB 1897 Annie Oakley	991020	995015	Short
Marlin	39, 39A, (Old Model), 1889, 1892 (Orig), 1984 (Orig)	991021	995025	Short
Marlin	336, 444SS, 1895G, 1895SS Any 336 Framed Gun	991025	995015	Standard
Marlin	25,27,29,(originals), 1893	991021	995025	Short
Marlin	30AW	991025	995015	Short
NEF	Survivor	991021	995016	Standard
Remington	Model 1,2,5	991011	995031	Standard
Remington	RB1 (Current Production)	991011	995001	Short
Rossi	65, 18, 92	991001	995002	Short
Rossi	59, 62	991001	995005	Short

Marble Arms® Improved Peep Tang Sight List by Manufacturer

**Lowest upright height varies depending on gun. Recommended lowest height provided. Short upright/Standard upright.*

Manufacturer	Model	Sight Base #	Screw Set #	*Upright Selection
Savage	30G Stevens Favorite	991021	995025	Short
Shiloh	Sharps 1874, 1874 (New)	991001	995030	Short
Springfield	1870	991001	995026	Short
Taurus	M62	991021	995001	Short
Taylor	1874 Sharps	991001	995003	Short
Thompson Center	Scout	991001	995001	Short
Uberti	1873 (Not Hunter)	991001	995006	Standard
Uberti	1885	991001	995033	Short
Uberti	1892	991001	995001	Short
Uberti	1886	991001	995001	Standard
Uberti	Henry	991001	995028	Short
Uberti	Rolling Block	991011	995001	Short
Varner	322 Cal Favorite	991001	995008	Standard
Winchester	1885 Hi-Wall & Low Wall (Japan)	991001	995001	Short
Winchester	53, 55	991001	995003	Short
Winchester	62, 18, 90, 64, 65	991001	995018	Short
Winchester	1866	991001	995003	Short
Winchester	1873	991001	995020	Short
Winchester	1885 (Orig)	991001	995004	Short
Winchester	1892 (Orig), 1894 (except .22 cal)	991001	995003	Short
Winchester	1906	991001	995003	Short
Winchester	1876, 1886 (Orig)	991015	995018	Standard
Winchester	1886 (Japan)	991015	995019	Short
Winchester	71LT	991015	995013	Short
Winchester	9422 (.22 LR)	991020	995001	Standard
Winchester	9422 (.22 Magnum)	991021	995001	Standard
Winchester	1895 (Tang Safety)	991025	995014	Standard
Winchester	1886 (Tang Safety)	991030	995022	Short
Winchester	71	991030	995023	Standard
Winchester	1892 (Tang Safety)	991035	995024	Standard
Winchester	94 Legacy	991017	995009	Standard

Marble Arms® Improved Peep Tang Sight List by Sight Base Number

Sight	Manufacturer/Model
991001	American Arms 1874 Sharps; Armi 1874 Sharps Browning 1885 (w/ metal tang);78, 1885,(w/out tang); 53, 65, 1892 (Japan) Cimarron 1866; 1873; EMF 1874 Sharps (not carbine); H&R Golden Boy .22LR Henry H001, H001T, .22 Lever (not H001V); Big Boy .44, .45, 357, 30/30, Mag. Rossi 65, 1892; Rossi 59,62; Shiloh Sharps 1874, 1874 (New) Springfield 1870; Taylor 1874 Sharps Thompson Center Scout Uberti 1873 (Not Hunter) 1885; 1892, 1886; Henry Varner 322 Cal Favorite Winchester 1885 Hi-Wall & Low Wall (Japan); 53,55; 62,1890,64,65;1866;1873;1885 (Orig) 1892 (Orig), 1894 (except .22 cal); 1906
991011	Colt Lightning Sm. Frame, CAS Shoot; Remington Model 1,2,5; RB1 (Current Production) Uberti Rolling Block
991015	Browning 1886; 71LT Winchester 1876, 1886 (Orig); 1886 (Japan); 71LT
991017	Winchester 94 Legacy
991020	Marlin 39A,39AS,39M,39TDS (current model); 1894CB,1894 CBII,1894S 1894 CS,1897 CB,1897, Annie Oakley Winchester 9422 (.22 LR) Glenfield 30
991021	Ballard #8 Union Hill Marlin 39,39A,(Old Model),1889,1892 (Orig)1984 (Orig); 25,27,29,(originals), 1893 NEF Survivor; Savage 30G - Stevens Favorite (old production) Taurus M62 Winchester 9422 (.22 Magnum)
991025	Browning 1895 (Japan); 1895 (Orig); Marlin 336, 444SS, 1895G, 1895SS Any 336 Framed Gun; 30AW Winchester 1895 (Tang Safety)
991030	Browning 71 Winchester 1886 (Tang Safety); 71
991035	Browning 1892 (Tang Safety);

Marble Arms® Improved Peep Tang Sight List by Sight Base Number

Manufacturer	Model	Sight Base #	Screw Set #	*Upright Selection
Savage	30G Stevens Favorite	991021	995025	Short
Shiloh	Sharps 1874, 1874 (New)	991001	995030	Short
Springfield	1870	991001	995026	Short
Taurus	M62	991021	995001	Short
Taylor	1874 Sharps	991001	995003	Short
Thompson Center	Scout	991001	995001	Short
Uberti	1873 (Not Hunter)	991001	995006	Standard
Uberti	1885	991001	995033	Short
Uberti	1892	991001	995001	Short
Uberti	1886	991001	995001	Standard
Uberti	Henry	991001	995028	Short
Uberti	Rolling Block	991011	995001	Short
Varner	322 Cal Favorite	991001	995008	Standard
Winchester	1885 Hi-Wall & Low Wall (Japan)	991001	995001	Short
Winchester	53, 55	991001	995003	Short
Winchester	62, 18, 90, 64, 65	991001	995018	Short
Winchester	1866	991001	995003	Short
Winchester	1873	991001	995020	Short
Winchester	1885 (Orig)	991001	995004	Short
Winchester	1892 (Orig), 1894 (except .22 cal)	991001	995003	Short
Winchester	1906	991001	995003	Short
Winchester	1876, 1886 (Orig)	991015	995018	Standard
Winchester	1886 (Japan)	991015	995019	Short
Winchester	71LT	991015	995013	Short
Winchester	9422 (.22 LR)	991020	995001	Standard
Winchester	9422 (.22 Magnum)	991021	995001	Standard
Winchester	1895 (Tang Safety)	991025	995014	Standard
Winchester	1886 (Tang Safety)	991030	995022	Short
Winchester	71	991030	995023	Standard
Winchester	1892 (Tang Safety)	991035	995024	Standard
Winchester	94 Legacy	991017	995009	Standard

Marble Arms® Improved Peep Sight Screw Set

**Some commemorative or limited addition models may have variation in the screw length.*

Screw Set	Front Screw	Rear Screw	Extra Screw
995001	#10-32 x .342	#10-32 x .342	
995002	#10-32 x .342	M5 x .8 x 1.815 Metric	
995003	#10-32 x .342	#12-28 x 1.9	#10-36 x .355
995004	#10-32 x .342	#10-36 x .355	#10-36 x .355
995005	#10-32 x .342	172 x 50 x 1.53	
995006	#10-32 x .342	#10-32 x 1.83	#10-32 x 2.060"
995007	#10-32 x .342	M5.5 x .5 x 1.775 Metric	
995008	#10-32 x .342	195 x 4 x 1.15 Wood	
995009	#6-48 x .250	#12-28 x 1.812	
995010	#10-32 x .342	#10-32 x 1.915	#10-32 x 2.006
995011	#10-32 x .342	#10-32 x 2.06	
995013	#10-32 x .342	M6 x .5 x 1.859 Metric	
995014	#10-32 x .342	M5.5 x .5 x 1.775 Metric	
995015	#10-32 x .342	#12-32 x 1.75	
995016	#10-32 x .342	#10-16 x .645 Wood	
995017	#10-32 x .342	#12-28 x 1.9	
995018	#10-36 x .355	#10-36 x 1.723	
995019	#10-36 x .355	#12-28 x 1.9	
995020	#10-36 x .355	#10-36 x .355	
995021	#10-36 x .355	#12-28 x 2.235	
995022	#4-48 x .341	M6 x .5 x 1.859 Metric	
995023	#4-48 x .341	#12-28 x 2.235	
995024	#4-48 x .341	M5.5 x .5 x 1.775 Metric	
995025	#8-40 x .367	#8-40 x .367	
995026	#10-16 x .645 Wood	#10-16 x .645 Wood	
995027	M5 x .8 x 1.060 Metric	M5x.8 x 1.905 Metric	
995028	195 x 4 x 1.150 Wood	#10-32 x 2.060	
995029	#10-24 x .384	#10-24 x .384	
995030	#10-28 x .353	#10-28 x .353	
995031	(2) #10-28 x .353	232 x 26 x 1.905	
995032	M4 x .7 x .367 Metric	M4 x .7 x .367 Metric	
995033	#10-32 x .342	#10-32 X .342	#10-32 x 1.830
995034	#10-32 x .342	#10-32 x 2.060	#10-32 x 1.830

**Some commemorative or limited addition models may have variation in the screw length.*

Marble Arms® Improved Peep Sight Additional Components

<u>Component</u>	<u>Part Number</u>	<u>Additional Information</u>
Short Range Upright	990100	
Standard Upright	990110	
Mid Range Upright	990120	
Long Range Upright	990130	
Pocket Spring	009907	
3/32 Ball	009910	
Coil Spring	009908	
Set Screw 1	009961	
Set Screw 2	009962	
Set Screw 3	009963	
Allen Wrench	009965	
Aperture	009780	1/2" Dia. .055 Hole
Aperture	009782	1/2" Dia. .102 Hole
Aperture	009785	3/4" Dia. .032 Hole

6-32 Cone
Barrel Set
Windage Set



Marble Arms® Improved Peep Sight Ordering Process

1. Select Manufacturer and Model of Gun. (Winchester 1892 Replica made by Uberti, the Manufacturer is Uberti)
2. Select Sight Base Manufacture part number. (This is the base only that will be attached to the tang of the gun)
3. Select the Mounting Screw Set. (Some bases are interchangeable with multiple guns but need specific screw sets- Example: T/C Scout takes the same base as Uberti 1885 but the screws are different)
4. There are 4 interchangeable uprights that are sold separately. Each allow you to adjust elevation out to different ranges with the same base. Our #1 upright (shortest) does not clear the receiver on some guns to the lowest possible upright to purchase for this gun is our #2 upright. (lowest setting will start you at short range shooting out to at least 100 yards)

Summary

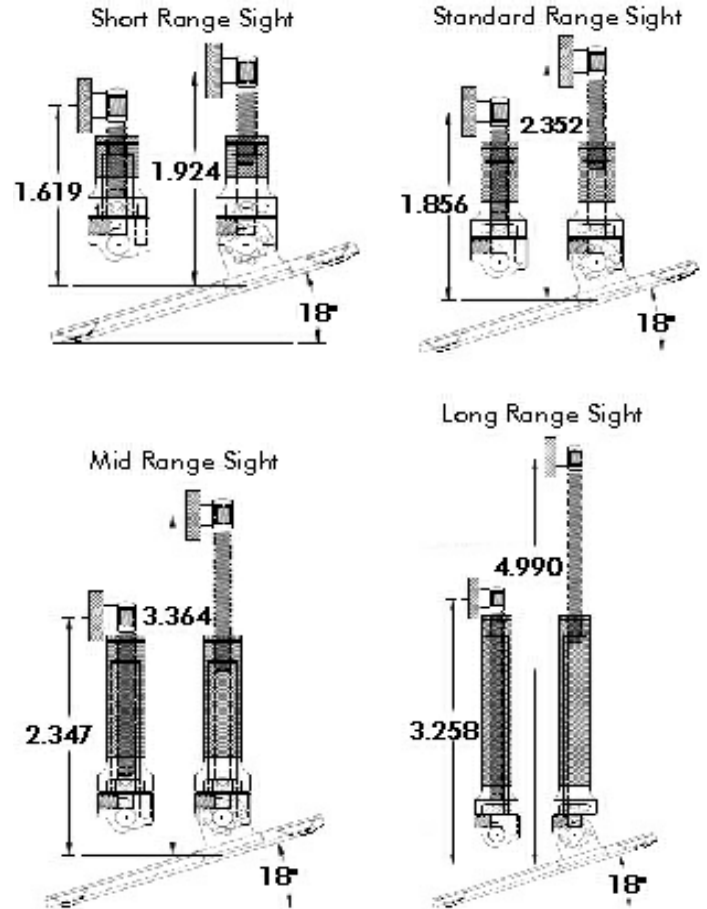
Select Part # for Base

Select Part # for Screw Set

Select Part # for all desired uprights

(Different heights for different ranges)

One aperture provided with each post



#009800-#009808 Peep Tang Sight Installation

1. Sight in gun with factory sights to 100 yards
2. Adjust peep tang sight so that you are in the middle of the adjustment- windage and elevation.
3. Place peep tang sight on tang so that when looking through peep sight aperture, all sights are in alignment.
4. Mark the holes-#009800 hole spacing is 2.185" center to center.
5. Make sure you are center (left to right) on the tang.
6. Remove stock and put gun in vise
7. Center punch holes.
8. Recheck for center alignment.
9. Drill with undersize drill, in case you are not center. Drill size #32 or smaller for both holes.
10. Now that you are center-drill with #21 drill bit and tap with a #10-32 tap.
11. Keep chips from entering gun by using a heavy tap oil when tapping.
12. Remove chips and mount sight.
13. Some cases you may have to shorten the screws.
14. Remove gun from vise and reinstall stock.

Peep Tang Sight Maintenance & Care

Windage adjustment has 66 clicks=.260"

Elevation adjustment has 85 click=.335"

Each click is about 1/4" of adjustment at 100 yards

The further the target the smaller the aperture is recommended.

To adjust windage, turn windage knob clockwise to move right and counter clockwise to move left.

To adjust the elevation, turn elevation knob to left to move up and to the right to move down. Never move tang fully forward or damage will occur to sight.