

Lead-Free* Brass Ball Valves - Threaded

Two-Piece Body • Full Port • Blowout-Proof Stem • PTFE Seats

1/4"-2" 600 PSI Non-Shock Cold Working Pressure

2 1/2"-4" 400 PSI Non-Shock Cold Working Pressure



- NSF/ANSI 61-8 (INCLUDES ANNEX F & G)
- NSF/ANSI 372 • IAPMO IGC-157 • MSS SP-110

CSA (1/4" - 4"):

- ANSI Z21.15 / CSA 9.1
- ASME B16.44: 5 psig (maximum)
- ASME B16.33: 125 psig (maximum)
- CAN / CGA 3.16
- CGA CR91-002: 1/2 psig, 2psig, and 5 psig

FM (1/4" - 2"):

- 1140 approved 175 wwp

UL, Gas and Oil (1/4" - 4"):

- UL 1477 (YQNZ): Compressed gas shutoff valves – 250 PSI
- UL 842 (YRBX): Flammable liquid shutoff valves – 250 PSI
- UL 842 (YRPV): Gas shutoff valves – 250 PSI
- UL 842 (MHKZ): Manual valves – 250 PSI
- UL 125 (YSDT): LP-Gas shutoff valves – 250 PSI
- UL Subject 258 (VQGU): Trim and drain valves (1/4" to 2")



T-FP-600A-LF



T-FP-600A-LF-LL

w/Locking Lever

MATERIAL LIST

PART	SPECIFICATION
1. Body	Forged DZR Copper Alloy
2. End Cap	Forged DZR Copper Alloy
3. Ball Seat	PTFE
4. Ball	Stainless Steel or Chrome Plated Brass
5. Stem	Brass
6. Stem Packing	PTFE
7. Packing Nut	Brass
8. Lever Handle	Steel, Plated
9. Handle Nut	Stainless Steel

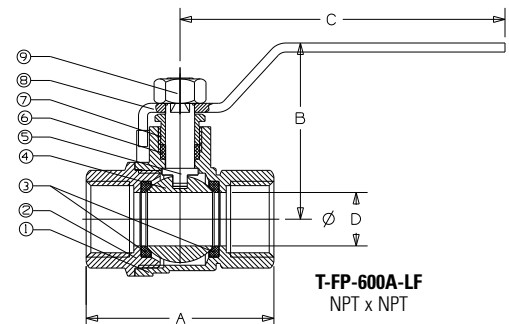
Handle Options:

- Lever
- Locking lever
- Extended lever

DIMENSIONS—WEIGHTS—QUANTITIES

Size	A		B		C		Port D		Lbs.	Kg.	Ctn. Qty.	
	In.	mm.	In.	mm.	In.	mm.	In.	mm.				
1/4	8	1.76	45	1.73	44	3.54	90	0.39	10	0.33	0.15	18
3/8	10	1.76	45	1.73	44	3.54	90	0.39	10	0.30	0.14	18
1/2	15	2.05	52	1.94	49	3.54	90	0.59	15	0.44	0.20	18
3/4	20	2.36	60	2.11	53	3.78	96	0.75	19	0.66	0.30	12
1	25	2.76	70	2.58	66	4.53	115	0.95	24	1.10	0.50	6
1 1/4	32	3.31	84	2.96	75	4.53	115	1.26	32	1.57	0.71	4
1 1/2	40	3.66	93	3.37	85	5.51	140	1.57	40	2.40	1.09	2
2	50	4.18	106	3.70	94	5.51	140	1.97	50	3.37	1.53	2
2 1/2	65	5.38	137	4.81	122	8.66	220	2.52	64	7.60	3.45	3
3	75	6.09	155	5.12	130	8.66	220	2.95	75	9.36	4.24	2
4	100	7.39	188	5.89	150	9.61	244	3.89	99	16.85	7.64	1

*Weighted average lead content ≤ 0.25%



T-FP-600A-LF
NPT x NPT