

SPECIFICATIONS:

Impedance: 50 Ohm
 Frequency Range: DC-18 GHz
 Input Power: 2 watt avg.
 Peak Power: 250 watt max.
 Operating temp. : -65°C to + 125°C

Part	Material	Plating
Body	Stainless Steel	Passivated
Conductor	Beryllium Copper	Gold

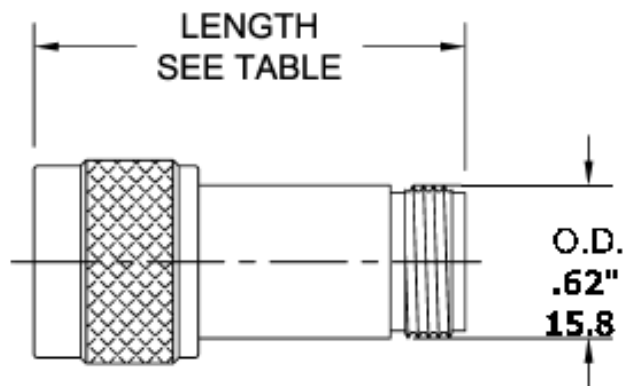
VSWR:

DC-4 GHz: 1.15:1 max.
 4-8 GHz: 1.20:1 max.
 8-12.4 GHz: 1.25:1 max.
 12.4-18 GHz: 1.35:1 max.

Attenuation Accuracy:

0-6 dB ± 0.3 dB
 7-20 dB ± 0.5 dB
 21-30 dB ± 0.75 dB
 30-60 dB ± 1.5 dB

Standard dB Values:
 1-10, 12, 15, 20, 30, 40, 50 & 60 dB



LENGTH			
0 – 30 & 40 dB		31–39, 50 & 60 dB	
Inches	Millimeters	Inches	Millimeters
1.76 ±.03	[44.7 ±0.8]	2.04 ±.03	[51.8 ±0.8]

Dimensions are for reference only, and are subject to change without notice.



Premier RF
 17 Roslyn CT
 Patchogue, NY 11772
 PH: 631-447-3804
 sales@premierRF.com
 www.premierRF.com

10/02/2012
 APPROVED
 A. Ianacci

PART NUMBER	PRF-AT2218-XX
DESCRIPTION	TYPE N ATTENUATOR DC-18 GHz, 2 WATT