

PERMA/flo Extreme Feeders

Rotary Valves for Abrasive Service



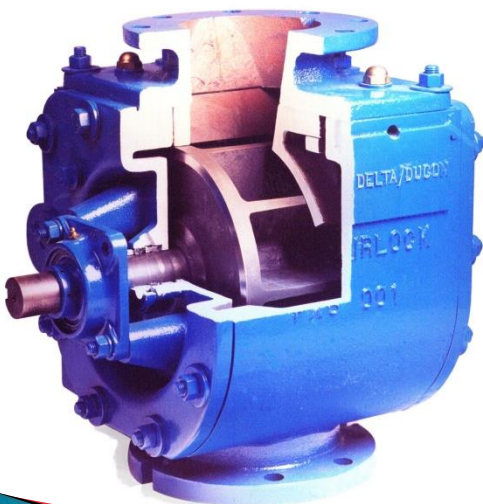
Since 1964 the PERMA/flo "XT & XL" Extreme Rotary Valve has been considered the valve of choice by customers who demand long life, rugged durability, ease of maintenance and high quality.

Though the basic footprint of the "XL" has remained unchanged since its inception, the "XT" series was designed in 2003 with enhancements that increased the throat size on the 6" through 12" models. The increased throat provides up to an additional 82% larger inlet than the previous design. This was achieved by increasing the number of pockets in the rotor from nine to ten. In turn, this allows the inlet shoe to widen, exposing a two pocket width in lieu of one. The extra width minimizes possible bridging, while increasing pocket fill efficiency. Sizes 14" through 24" remain our traditional "XL" design.

The "XL" and "XT" series, can be applied as rotary feeders and airlocks. Both the "XL" and "XT" series of rotary valves feature a unique design that offers adjustment between the rotor and the seal shoe. This adjustability enables the rotor to seal shoe gap to be maintained providing the tightest seal possible throughout the life of the unit.

Both the rotor and seal shoe are constructed of a special chrome-iron alloy called P-33. This alloy yields a hardness of 500-600 Brinell. Unlike other valves that feature a surface hardening, P-33 is a solid alloy casting that does not wear off to expose a softer metal base.

Note: Adjusting and maintaining a tight gap between the rotor & seal shoe can be made while the valve is in place.



Standard Features:

- P-33 Alloy Closed End Rotor & Inlet Wear Shoe
- Field Adjustable Rotor To Shoe Clearance
- Heavy Cast Iron Housing
- Outboard Mounted Bearings
- Extreme Duty Shaft (No Shear Pins Required)
- Shaft Air Purge Ports
- Four Inspection Ports

DELTA DUCON, LLC

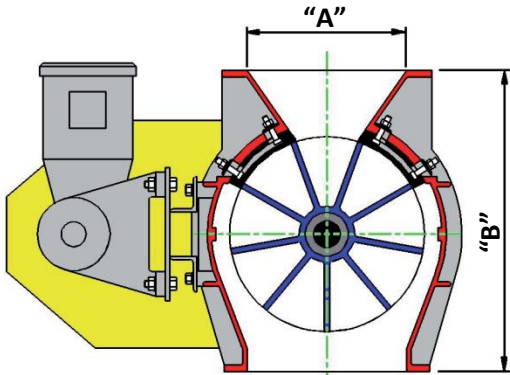
35 Sproul Road, Malvern, PA 19355

Phone: 610.695-9700 - Fax: 610.695.9724

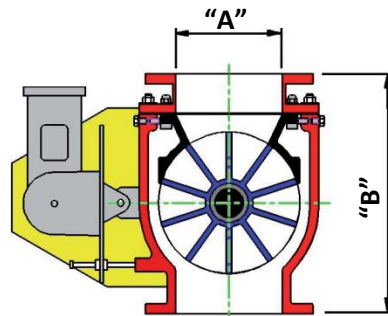
www.deltaducon.com

PERMA/flo Extreme Feeders

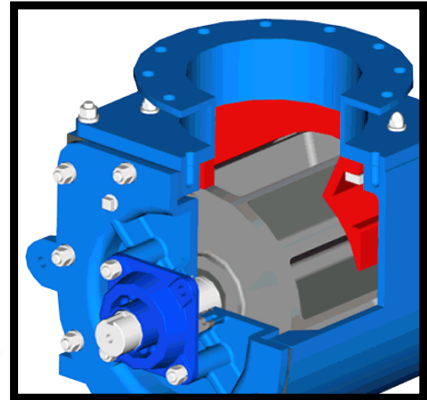
Rotary Valves for Abrasive Service



XL Rotary Valve



XT Rotary Valve



" A " SIZE	6"	8"	10"	12"	14"	18"	24"
MODEL	"XT"	"XT"	"XT"	"XT"	"XL"	"XL"	"XL"
Capacity: Cu. Ft. Per Rev. @ 100% eff.	0.20	0.375	0.60	1.00	1.60	2.70	6.00
"B" Overall Height (inches)	20"	22"	24"	27"	29.75"	34"	46.5"
HP (Fixed Speed)	0.5	0.5	1.0	1.0	2 to 5	2 to 5	7.5
HP (Variable Speed / Inverter Duty)	1.0	1.0	1.5	1.5	3 to 5	3 to 5	7.5
Approximate Weight w/Drive (Pounds)	800	1,100	1,300	1,700	2,100	2,700	4,000
Number of Rotor Pockets	10	10	10	10	9	9	9
Rotor & Shoe Material	(550- 600 BHN) P-33 Chrome Nickel Iron Alloy						
Housing Material	Cast Iron						
Inlet & Discharge Flange	Round (150# ANSI Drilling)					18" Sq.	24" Sq.
Bearings	Outboard For All Sizes						
Temperature Rating (Standard Design)	500° F						
Temperature Rating (High Temp Design)	1000° F						

DELTA DUCON, LLC

35 Sproul Road, Malvern, PA 19355

Phone: 610.695-9700 - Fax: 610.695.9724

www.deltaducon.com