



VIBRATORY ROLLER ATTACHMENT



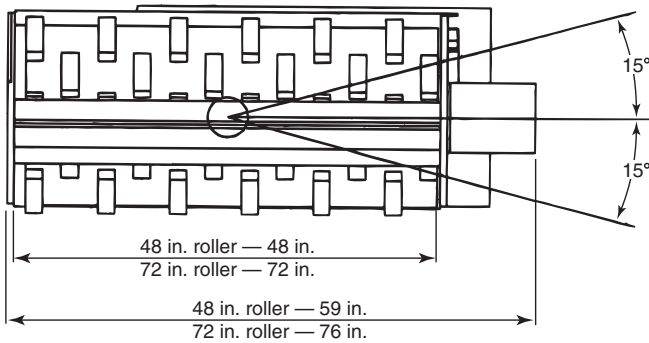
***One Tough Animal***™



## Specifications

Vibratory Roller	48-inch Roller	72-inch Roller
Drum Width	48 in.	72 in.
Overall Width	59 in.	76 in.
Drum Offset	9 in. to right	3 in. to right
Covers Right Side Tires on...	66 in. wide machines	78 in. wide machines
Drum Diameter (O.D.)		
Smooth	24 in.	26 in.
Padded	23.4 in.	25.4 in.
Number of Pads (Padded Drum)	72	102
Drum Oscillation	± 15°	± 15°
Dynamic Force	6402 lb. @ 15 gpm 9219 lb. @ 18 gpm	4600 lb. @ 18 gpm 9587 lb. @ 26 gpm
Frequency (Vibrations per Minute)	2936 vpm @ 15 gpm 3524 vpm @ 18 gpm	2350 vpm @ 18 gpm 3391 vpm @ 26 gpm
Weight		
Roller w/Smooth Drum	1615 lb.	1902 lb.
Roller w/Padded Drum	1470 lb.	1934 lb.
Bolt-on Smooth Shell	315 lb.	N.A.

Performance values are calculated.



## Choosing a Drum Style

**SMOOTH** drum used for sand, gravel, pea rock and asphalt patching†.

**PADDED** drum used for heavy soils, clay and clay-based backfill.

†A Bobcat water kit is recommended for asphalt patching.

## Features

- Free drum oscillation keeps more of the drum in contact with the surface on uneven terrain.
- Offset drum design allows right side of roller to extend past the machine. This is very useful when compacting next to sidewalks, walls or curbs.
- Durable one-piece drum for extra strength.
- Dual-direction vibration motor permits compaction while traveling in either direction.
- Rubber isolation mounts on roller reduce vibration transfer to loader and operator.
- Both smooth and padded drums are available.

## Compaction tool for construction and flatwork.

Turn your multi-job Bobcat loader into a high-performance, hard-packing vibratory roller!

- Ideal for flatwork, trenching and asphalt patchwork contractors.
- Choose padded or smooth drum.
- Bolt-on outer shell available for 48-inch drum converts it from padded to smooth.
- Exclusive Bob-Tach™ mounting system permits quick hookup to loader.



Drum oscillation keeps the roller in contact with the surface on uneven terrain.

NOTE - Where applicable, dimensions are in accordance with Society of Automotive Engineers (SAE) and ISO standards. Specifications and design are subject to change without notice. Pictures of Bobcat units may show other than standard equipment. All dimensions are given for loader equipped with standard tires. All dimensions are shown in inches. Respective metric dimensions are enclosed by parentheses. Bobcat Company complies with the requirements of ISO 9001 as registered with BSI.

*The Bobcat Attachments Advantage: Bobcat attachments are engineered and manufactured to fit Bobcat loaders for optimum job performance, dependability and durability.*

Bobcat Vibratory Roller Attachment fits these carrier models:

Skid-Steer Loaders:

753  
S130  
S150  
S160  
S175  
S185  
S205  
S220  
S250  
S300

Compact Track Loaders:

T140  
T180  
T190  
T200  
T250  
T300

All-Wheel Steer Loaders:  
A300