

CEILING SUSPENSION KIT INSTALLATION FOR UNIT HEATERS

OPTION CK22 FOR MODELS UDX AND UDZ (UNIT SIZES 030–125)

NOTES:

- The following assumes that the heater has not been installed.
- Prior to installation of the ceiling suspension kit, refer to the installation manual provided with the heater for important safety information.

The ceiling suspension kit (see [Figure 1](#)) allows the heater to be installed 1 inch from the ceiling without hanger rods. The ceiling suspension kit is used only on unit sizes 030–125 for UDX and UDZ models. Ensure that all components listed in [Table 1](#) are available before beginning installation.

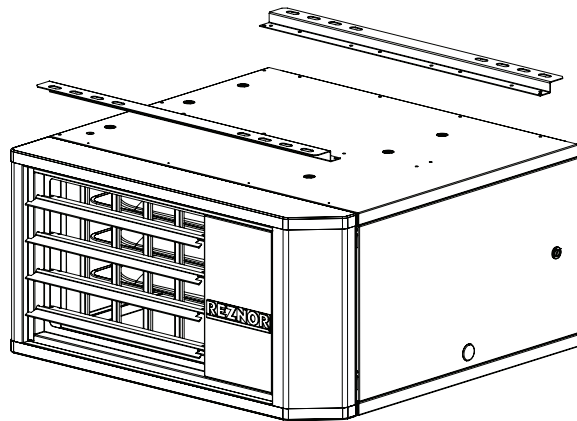


Figure 1. Ceiling Suspension Kit

Table 1. Ceiling Suspension Kit (PN 1036357) Components

Model	Unit Size	Component	PN (Quantity)
UDX, UDZ	030–125	Ceiling bracket	1034211 (2)
		Screw, sheet metal	195638 (10)

⚠ DANGER ⚠

Before suspending the heater, ensure that the installation location has sufficient clearances to combustibles and that the supporting structure has sufficient load-carrying capacity to support the weight of the unit. Refer to the installation manual provided with the heater for location requirements, recommended clearances, and unit weights.

1. Remove all sheet metal screws that secure front and rear of cabinet top.
2. Align ceiling brackets with screw holes in front and rear of cabinet top and secure brackets to heater using screws from kit.
3. While supporting heater bottom with plywood or other suitable material, lift heater into place using suitable lift or assistance and secure ceiling brackets to ceiling using field-supplied hardware.

