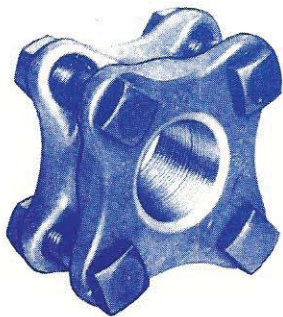


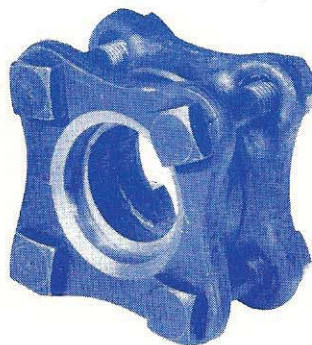
VILTER AMMONIA FLANGES

VILTER FLANGES ARE SQUARE (4-BOLT), 3/8" THRU 4". ROUND FLANGES RANGE FROM 5" THRU 12".

MOST OTHER MANUFACTURERS USE OVAL (2-BOLT) FLANGES, 3/8" THRU 1".



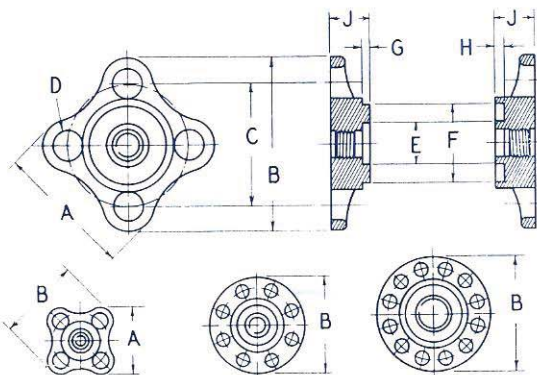
THREADED FLANGES



SOCKET WELDING FLANGES



WELDING NECK FLANGES



Size	Dimensions in Inches								
	A	B	C	D-Holes		E	F	G	H
				No.	Dia.				
3/8	3	3 ¹³ / ₁₆	2 ¹¹ / ₁₆	4	5/8	1 ⁵ / ₁₆	1 ¹¹ / ₁₆	3/16	5/32
1/2	3 ³ / ₈	4 ¹ / ₈	2 ⁷ / ₈	4	5/8	1 ¹ / ₈	1 ⁷ / ₈	3/16	5/32
3/4	3 ¹ / ₂	4 ³ / ₈	3 ¹ / ₈	4	5/8	1 ⁵ / ₁₆	2 ¹ / ₁₆	3/16	5/32
1	3 ⁷ / ₈	4 ¹³ / ₁₆	3 ¹ / ₂	4	3/4	1 ⁵ / ₈	2 ³ / ₈	3/16	5/32
1 1/4	4 ¹ / ₈	5 ³ / ₁₆	3 ⁷ / ₈	4	3/4	2	2 ³ / ₄	3/16	5/32
1 1/2	4 ⁵ / ₁₆	5 ¹ / ₂	4 ¹ / ₈	4	3/4	2 ¹ / ₄	3	3/16	5/32
2	4 ⁹ / ₁₆	5 ⁷ / ₈	4 ³ / ₈	4	3/4	2 ¹ / ₂	3 ¹ / ₄	3/16	5/32
2 1/2	5 ³ / ₈	7	5 ¹ / ₂	4	3/4	3 ⁵ / ₁₆	4 ³ / ₁₆	3/16	5/32
3	5 ⁷ / ₈	7 ⁵ / ₈	6 ¹ / ₈	4	3/4	3 ¹⁵ / ₁₆	4 ¹³ / ₁₆	3/16	5/32
4	7 ¹ / ₄	9 ¹ / ₄	7 ¹ / ₄	4	7/8	4 ⁷ / ₈	5 ³ / ₄	3/16	5/32
5		10 ¹ / ₄	8 ¹ / ₂	8	7/8	6	6 ⁷ / ₈	3/16	5/32
6		11 ³ / ₄	9 ³ / ₄	8	1	7	7 ⁷ / ₈	3/16	5/32
8		14 ¹ / ₄	12 ¹ / ₄	12	1	9	10	3/16	5/32
10		16 ¹ / ₂	14 ¹ / ₂	16	1	11 ¹ / ₂	12 ³ / ₄	1/4	3/16
12		19 ¹ / ₄	17	16	1	13 ³ / ₈	15 ⁵ / ₈	1/4	3/16