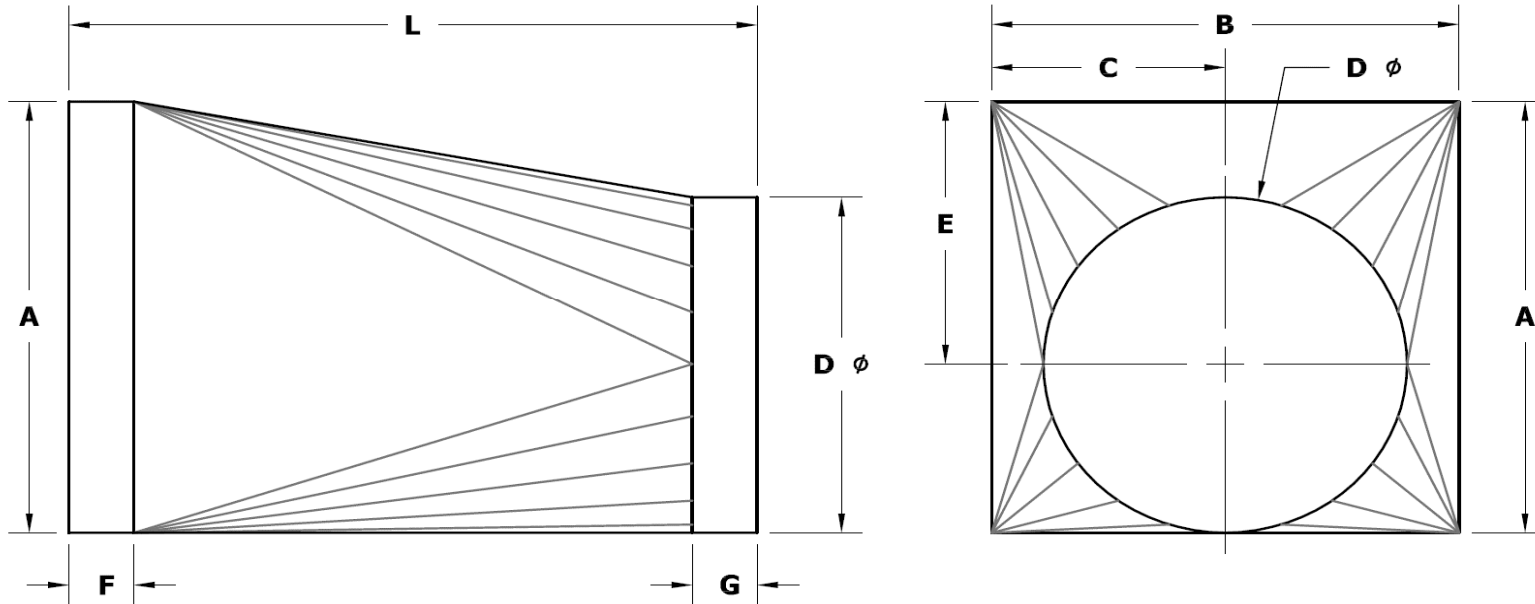


SquareTo Round Eccentric Order Form



6227 147th Ave N. Suite B, Clw, FL 33760 P: (727)-532-4822 F : (727)532-4848

Page:	Of	Date:	Date Requested:
Company Name:		Requested By:	
Job Number:		Job Name:	



Qty.	Ga.	Mat'l	A	B	C	D-ø	E	F	G	End A/B	End D-ø	TAG / NOTES	Fab.	Comp.

Customer Sign: _____ Date: _____ HVAC Sign: _____ Date: _____