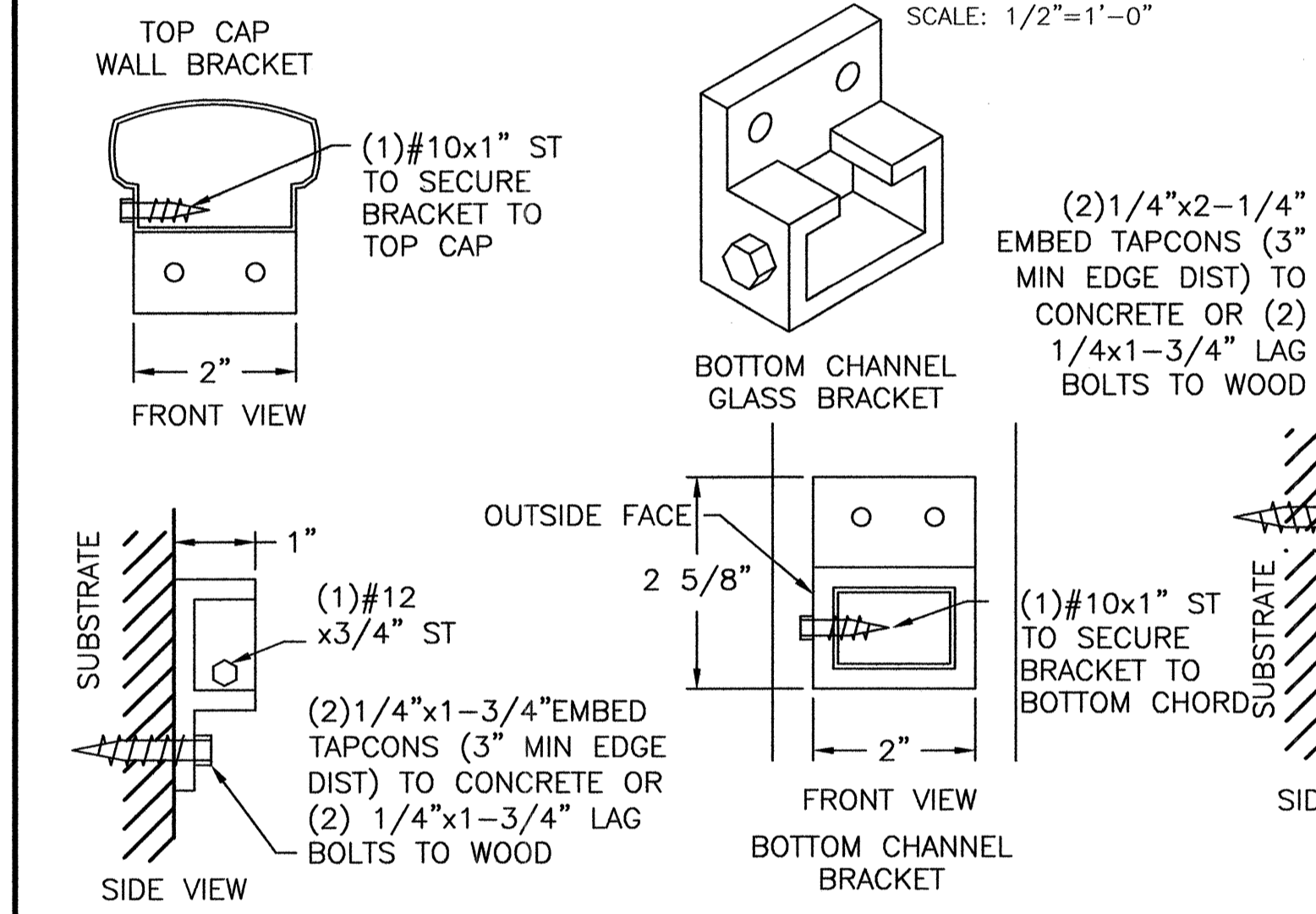
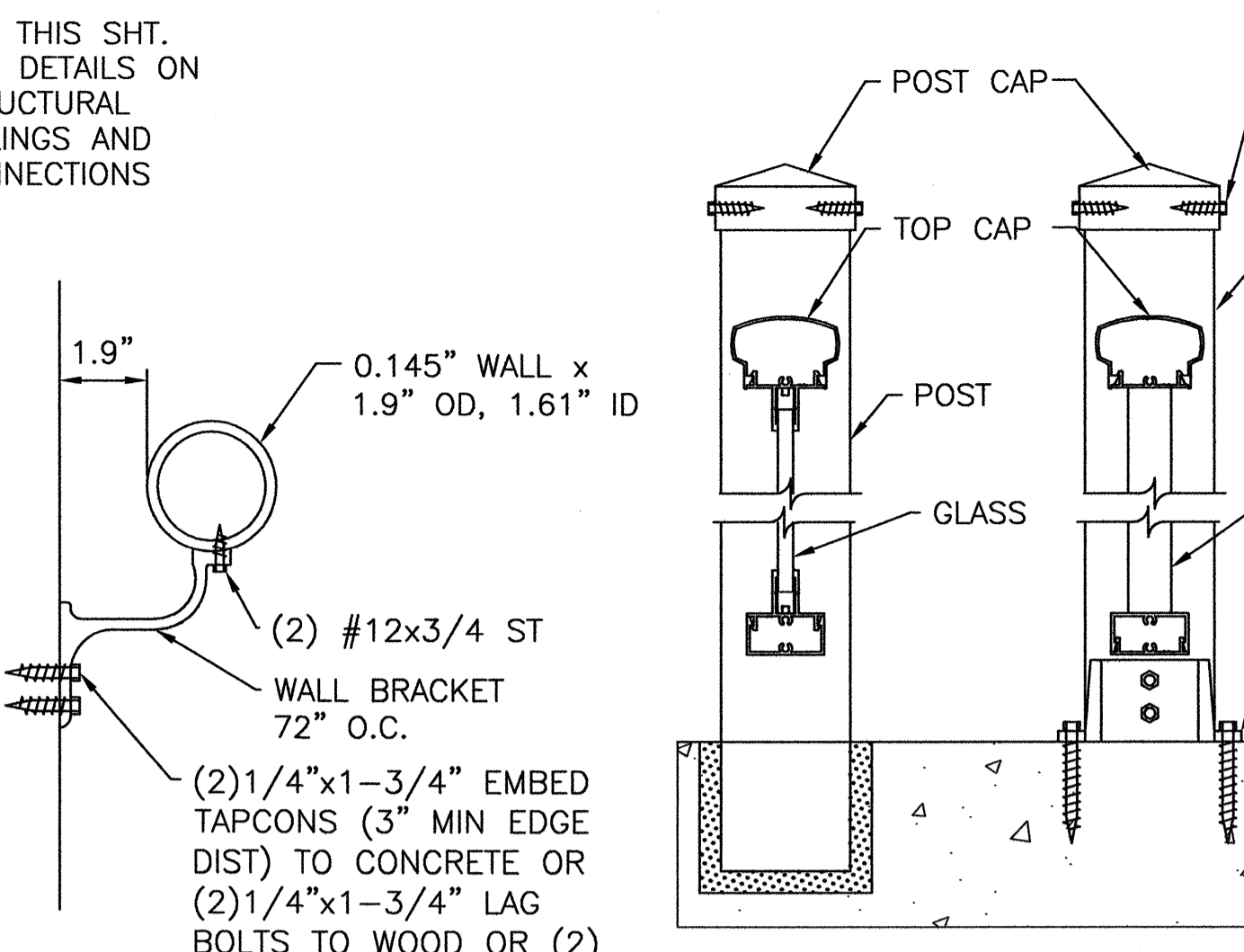


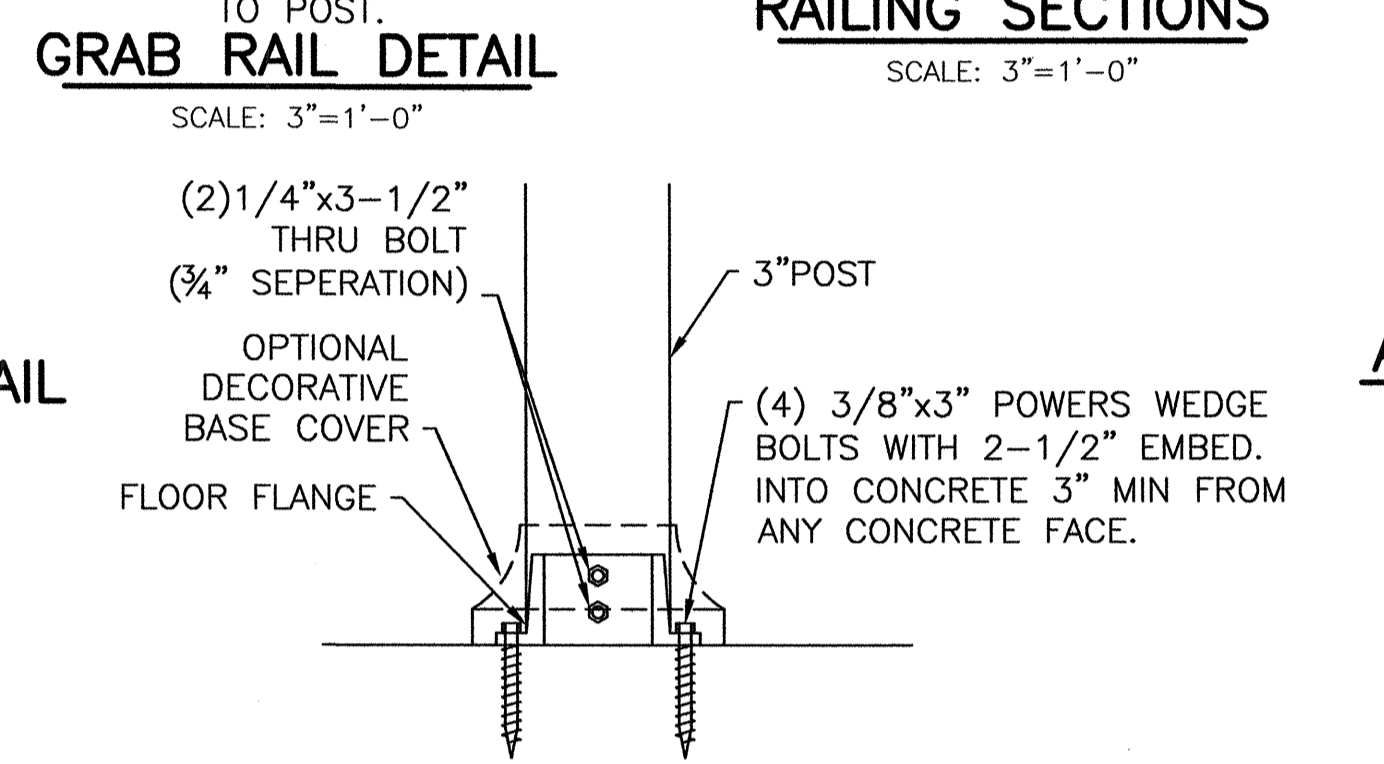
ALUMINUM STAIR RAILING DETAIL
SCALE: 1/2"=1'-0"



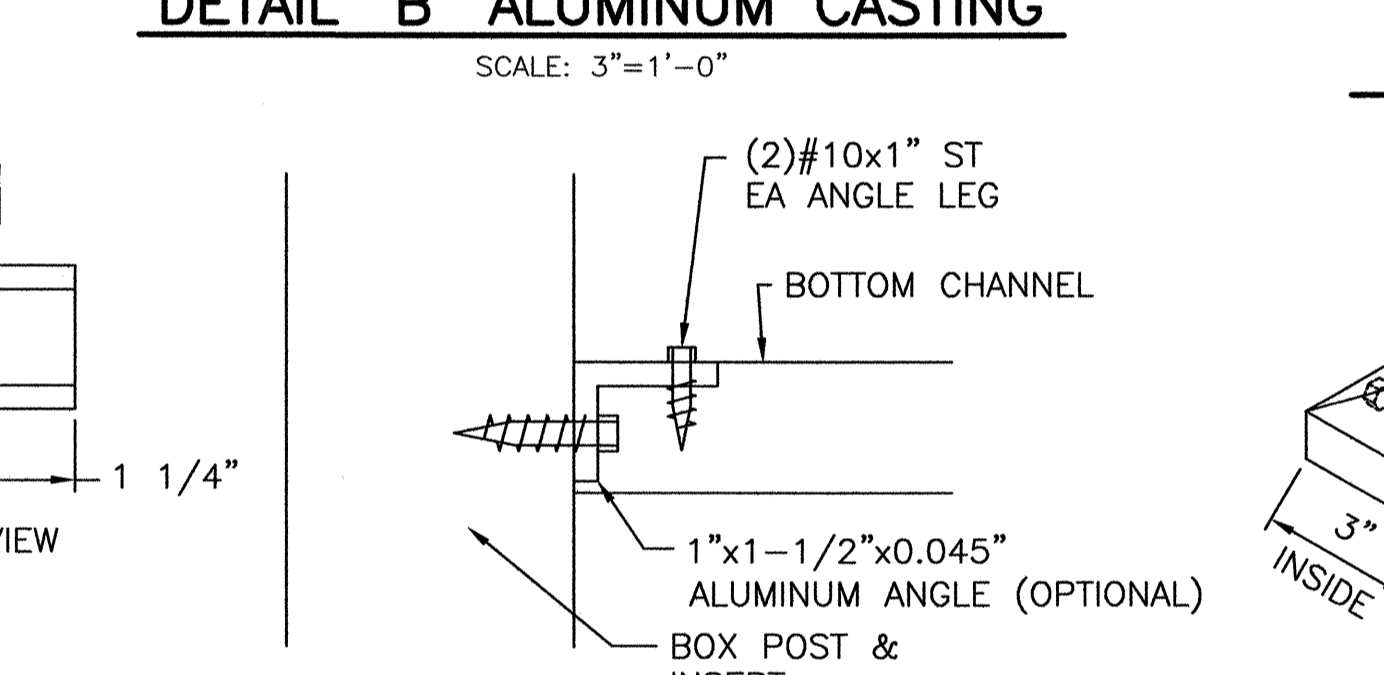
DETAIL 'A' WALL CONNECTIONS
SCALE: 6"=1'-0"



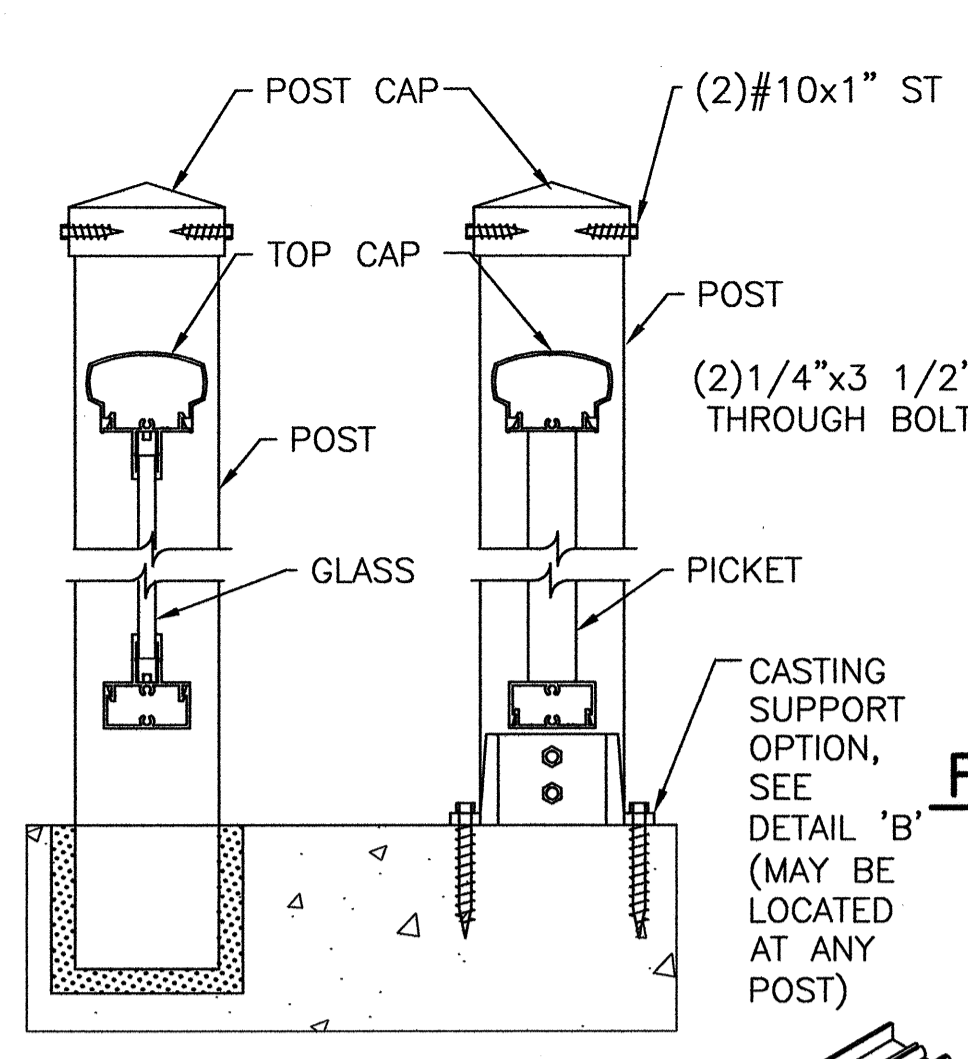
GRAB RAIL DETAIL
SCALE: 3"=1'-0"



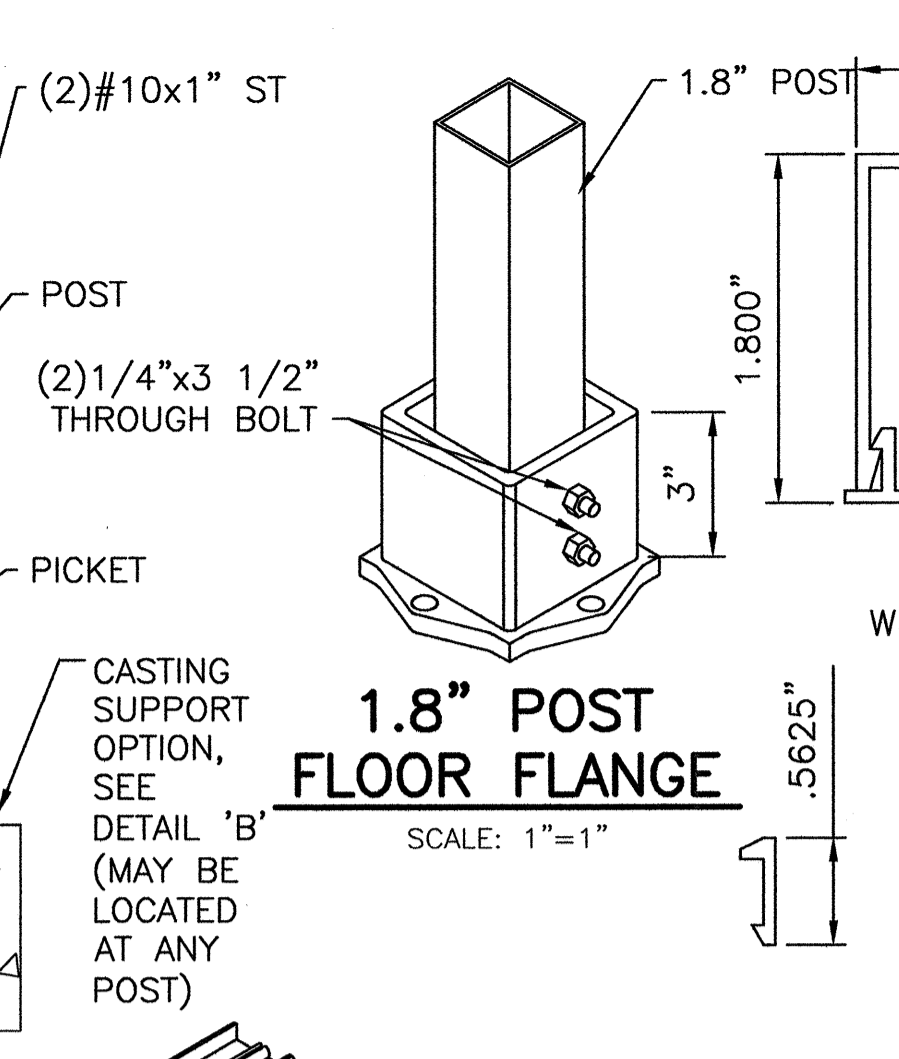
DETAIL 'B' ALUMINUM CASTING
SCALE: 3"=1'-0"



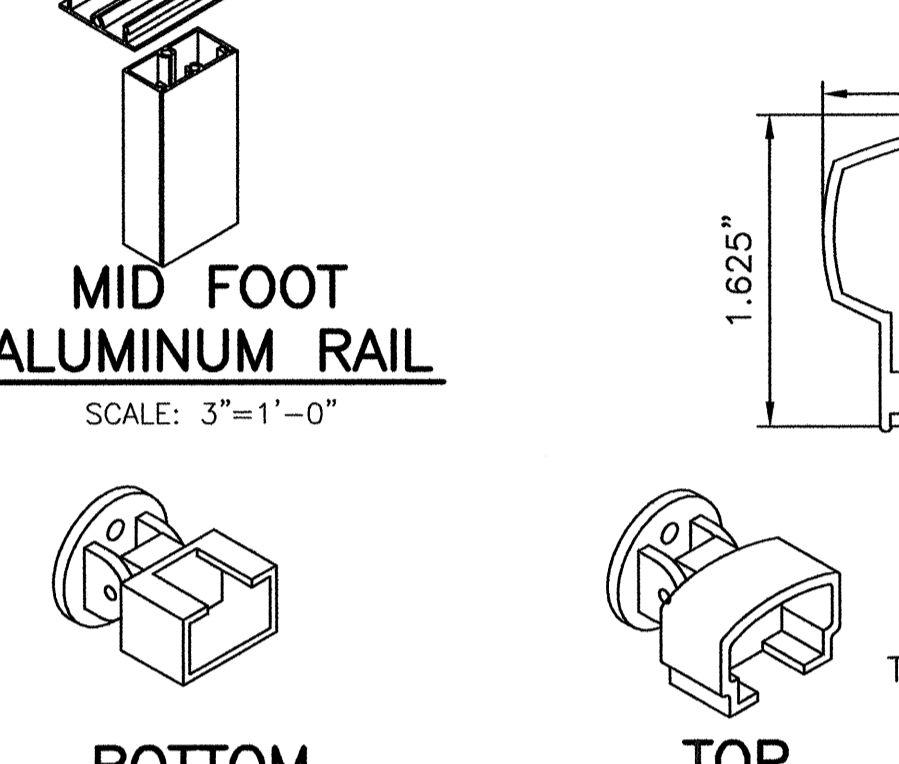
DETAIL 'C' BOTTOM CHANNEL CONN.
SCALE: 6"=1'-0"



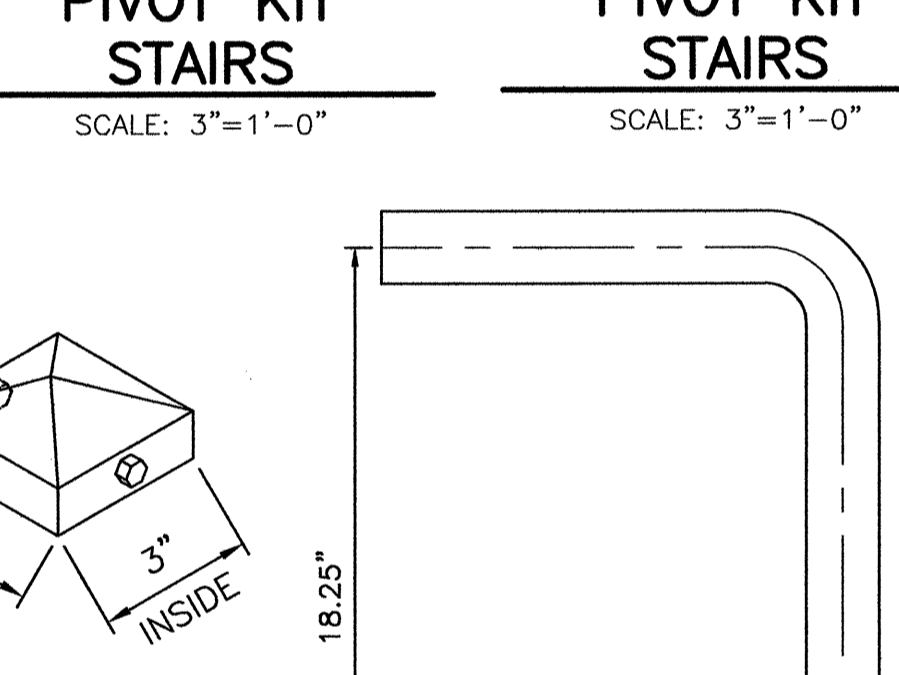
RAILING SECTIONS
SCALE: 3"=1'-0"



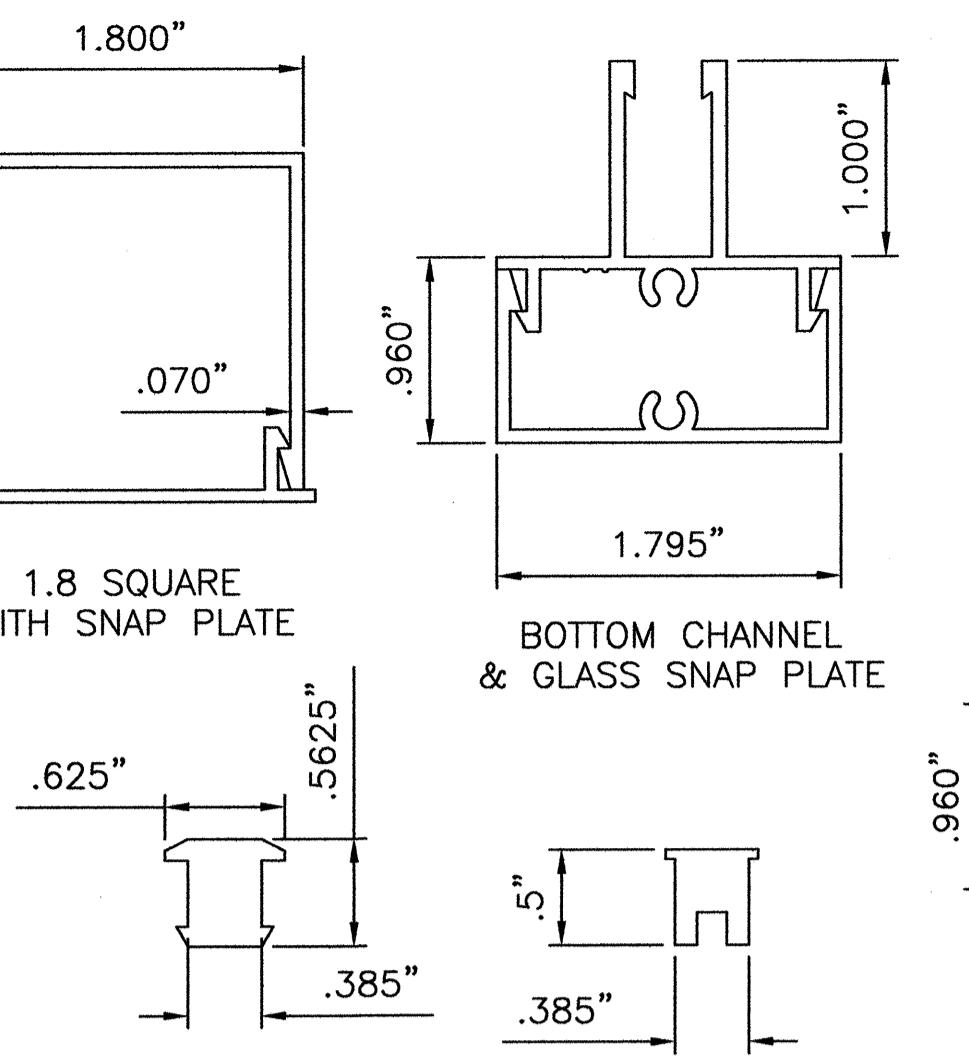
1.8" POST FLOOR FLANGE
SCALE: 1"=1"



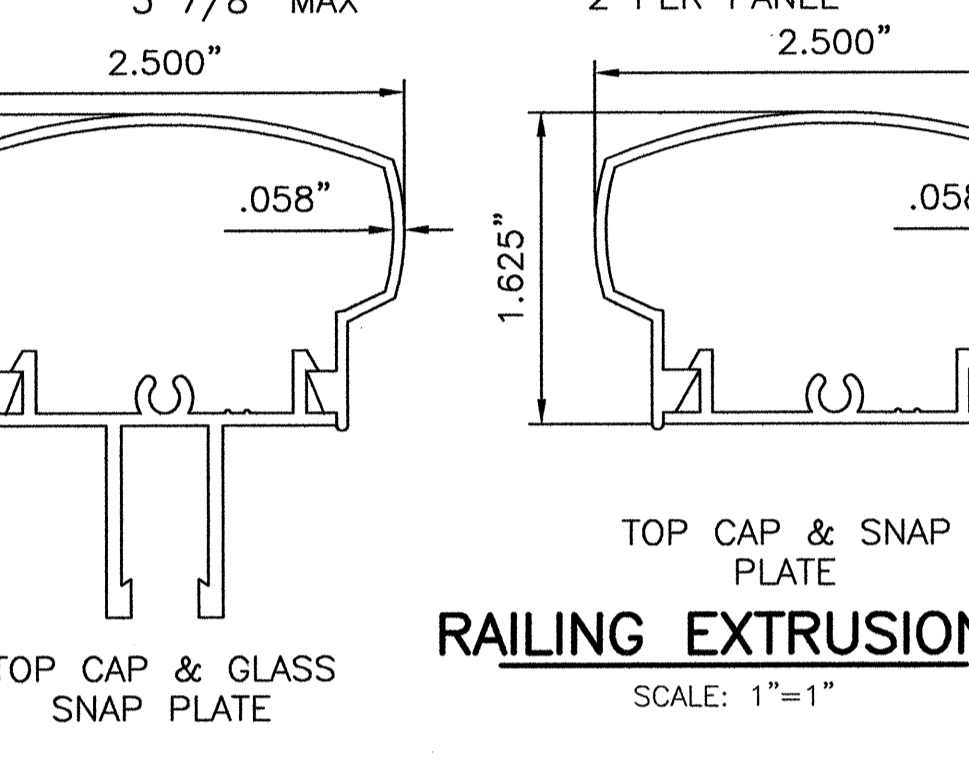
MID FOOT ALUMINUM RAIL
SCALE: 3"=1'-0"



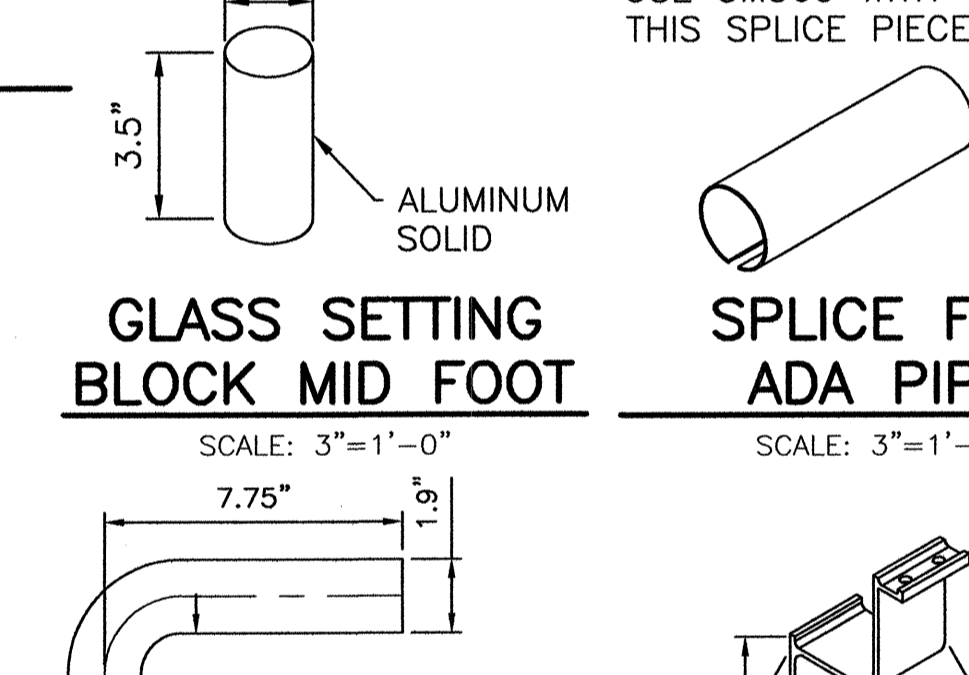
BOTTOM PIVOT KIT STAIRS
SCALE: 3"=1'-0"



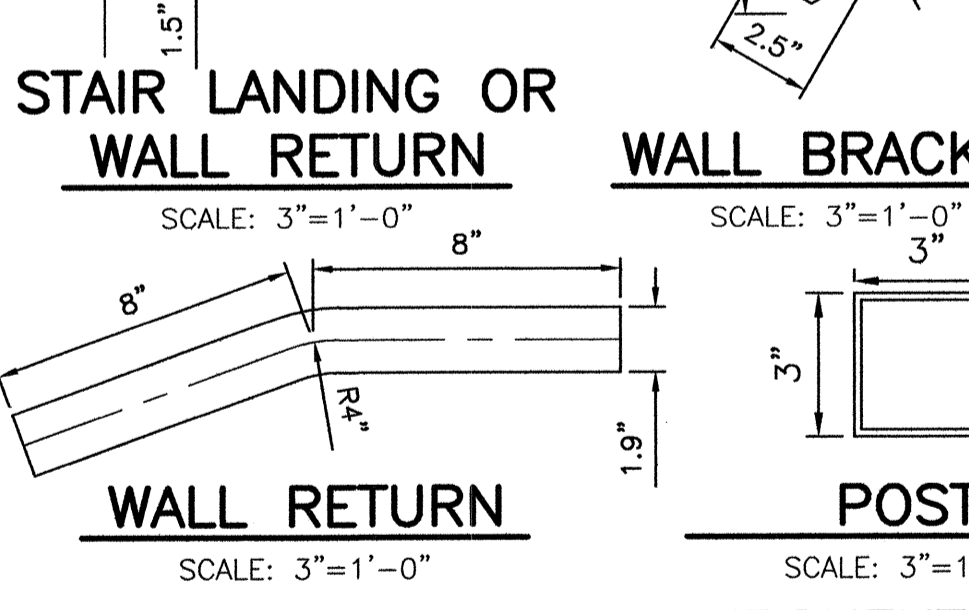
RAILING EXTRUSIONS
SCALE: 1"=1"



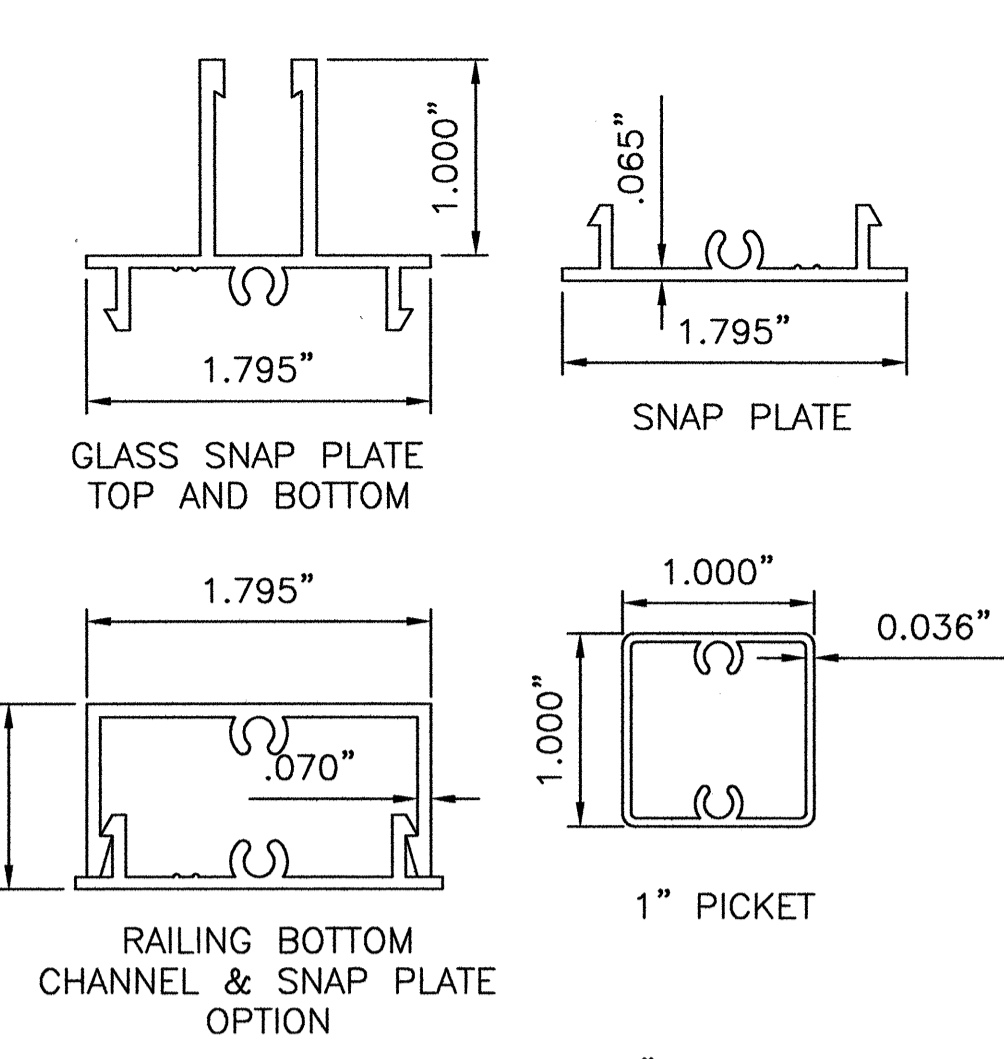
GLASS SETTING BLOCK MID FOOT
SCALE: 3"=1'-0"



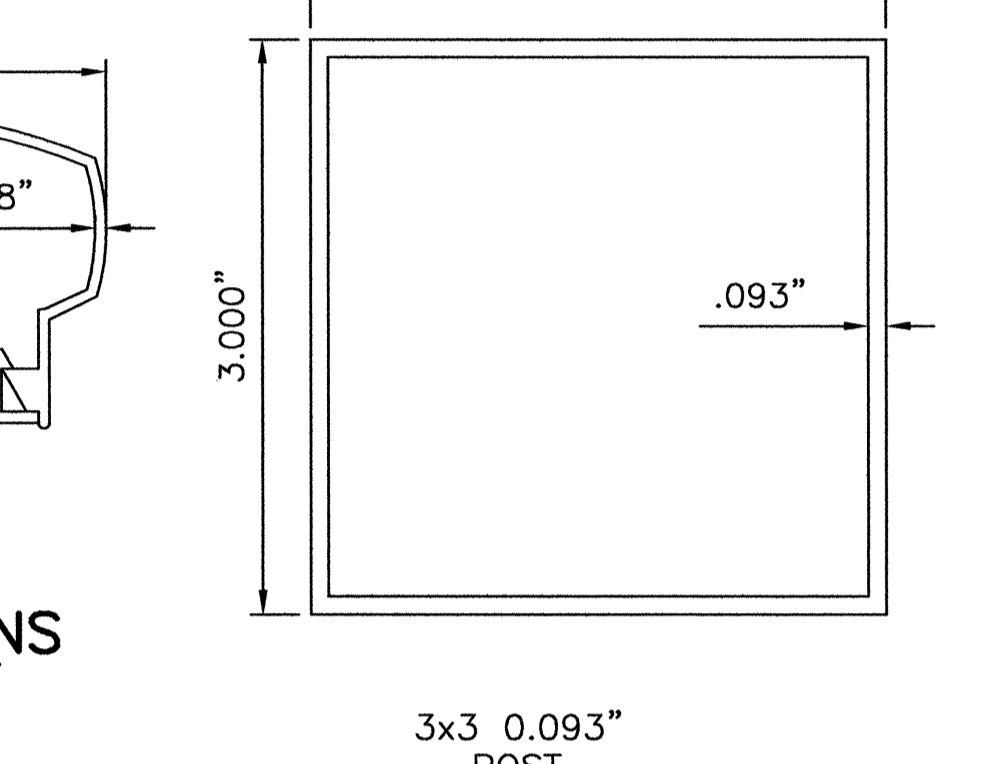
STAIR LANDING OR WALL RETURN
SCALE: 3"=1'-0"



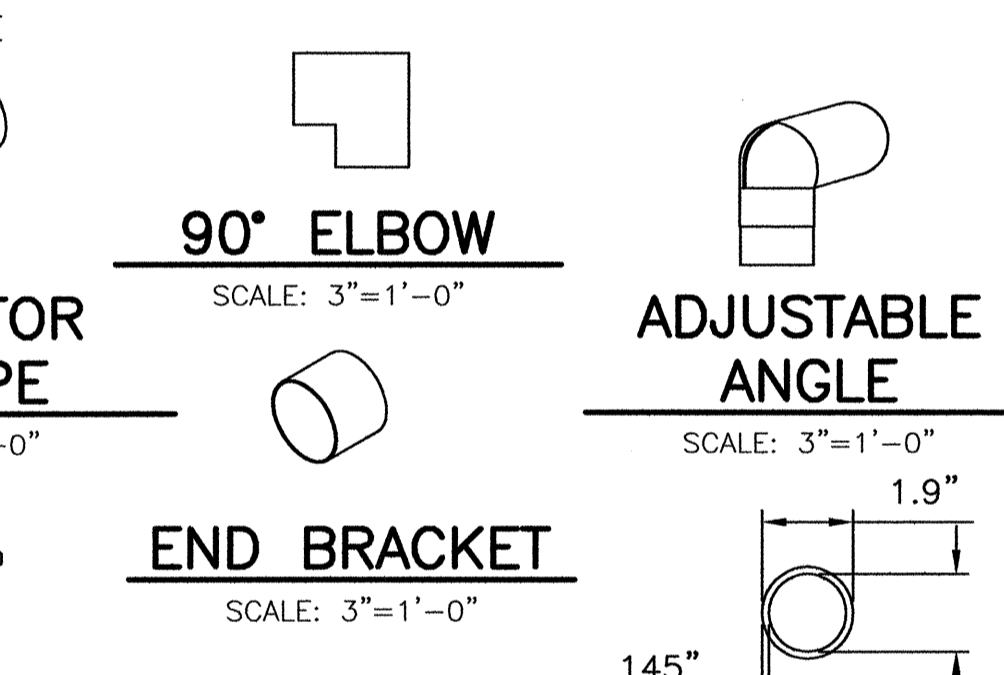
ADA COMPONENTS
SCALE: 1"=1"



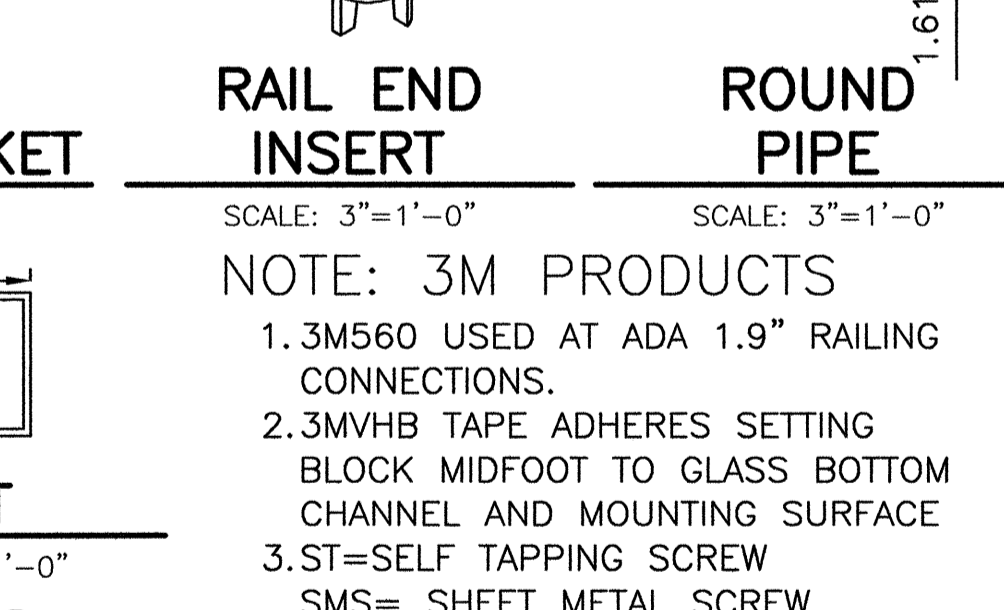
SNAP PLATE
SCALE: 1"=1"



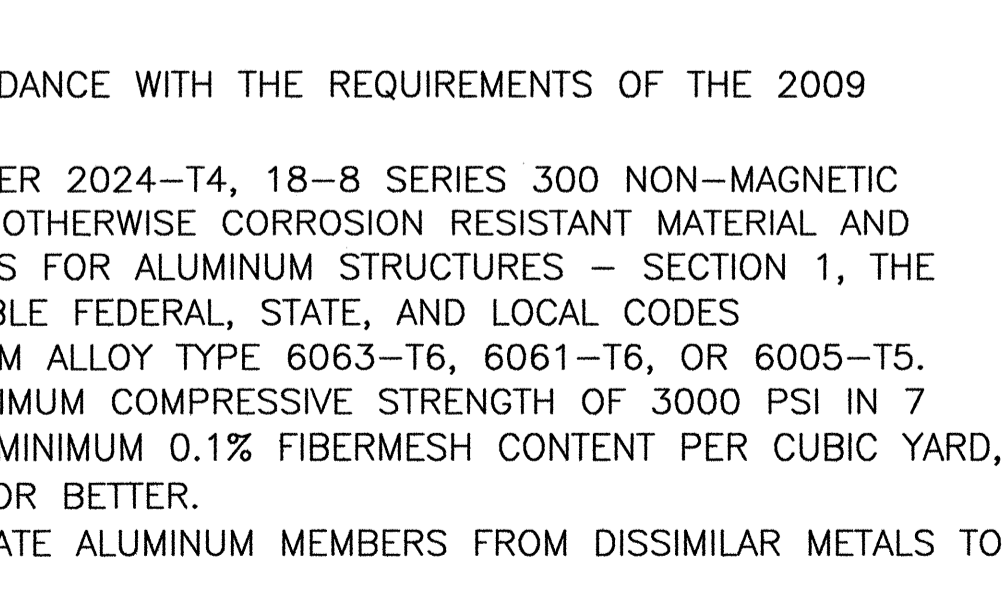
RAILING BOTTOM CHANNEL & SNAP PLATE OPTION
SCALE: 1"=1"



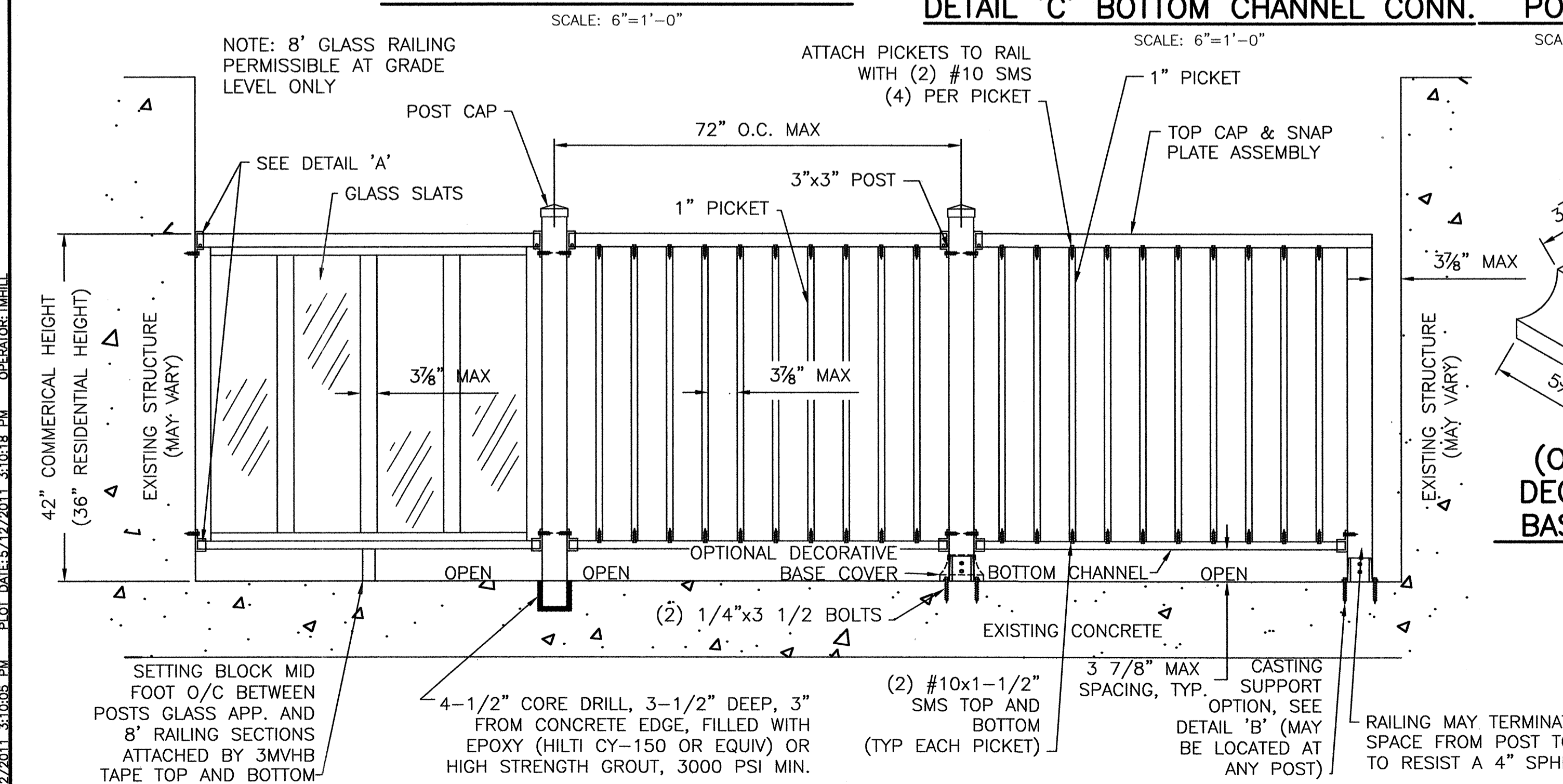
90° ELBOW
SCALE: 3"=1'-0"



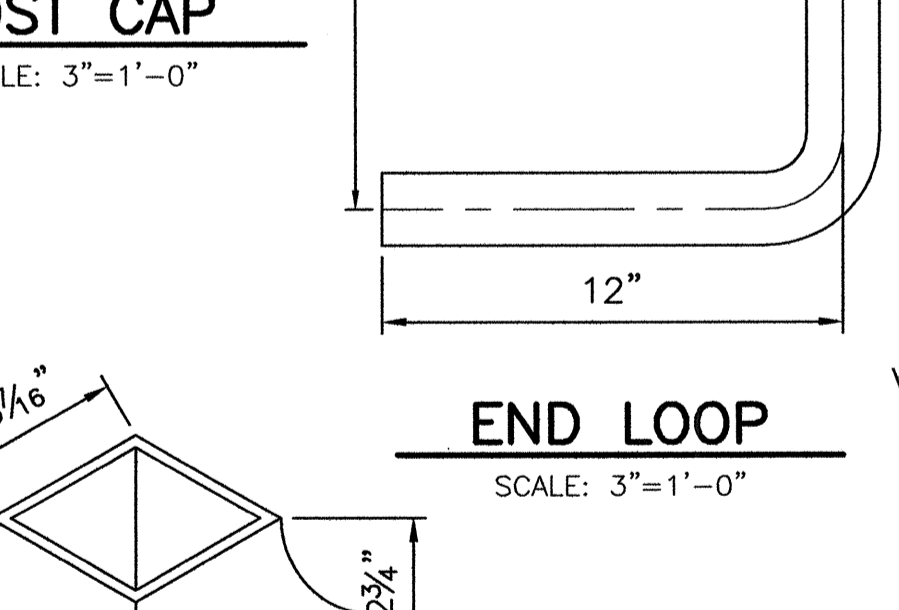
END BRACKET
SCALE: 3"=1'-0"



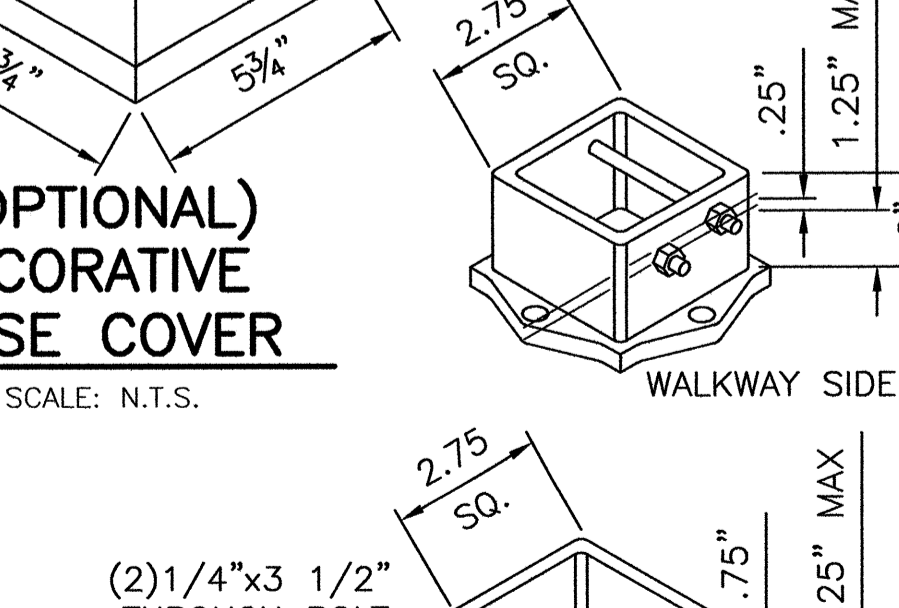
RAIL END INSERT
SCALE: 3"=1'-0"



ALUMINUM STRUCTURAL RAILING
SCALE: 1"=1'-0"



(OPTIONAL) DECORATIVE BASE COVER
SCALE: N.T.S.



FLOOR FLANGES
SCALE: 3"=1'-0"

- NOTES:**
1. THIS SYSTEM HAS BEEN DESIGNED IN ACCORDANCE WITH THE REQUIREMENTS OF THE 2009 INTERNATIONAL BUILDING CODE.
 2. ALL FASTENERS TO BE #12 X 3/4" OR GREATER 2024-T4, 18-8 SERIES 300 NON-MAGNETIC STAINLESS STEEL, OF CADMIUM PLATED OR OTHERWISE CORROSION RESISTANT MATERIAL AND SHALL COMPLY WITH 5.1.1.C, SPECIFICATIONS FOR ALUMINUM STRUCTURES - SECTION 1, THE ALUMINUM ASSOCIATION, INC., AND APPLICABLE FEDERAL, STATE, AND LOCAL CODES
 3. ALL EXTRUDED MEMBERS SHALL BE ALUMINUM ALLOY TYPE 6063-T6, 6061-T6, OR 6005-T5.
 4. ALL CONCRETE AND EPOXY TO REACH A MINIMUM COMPRESSIVE STRENGTH OF 3000 PSI IN 7 DAYS, CONCRETE FOOTERS SHALL CONTAIN MINIMUM 0.1% FIBERMESH CONTENT PER CUBIC YARD, WOOD TO BE PRESSURE TREATED #2 SYP OR BETTER.
 5. THE CONTRACTOR IS RESPONSIBLE TO INSULATE ALUMINUM MEMBERS FROM DISSIMILAR METALS TO PREVENT ELECTROLYSIS.
 6. ACQ LUMBER REQUIRES STAINLESS STEEL FASTENERS.
 7. ELECTRICAL GROUND, WHEN REQUIRED, TO BE DESIGNED AND INSTALLED BY OTHERS.
 8. ALL WORK AND MEASUREMENTS SHALL BE FIELD VERIFIED BY OTHERS PRIOR TO CONSTRUCTION. HORNER AND SHIFRIN, INC. SHALL BE NOTIFIED IMMEDIATELY OF ANY INACCURATE INFORMATION PRIOR TO MODIFICATION. FABRICATION AND INSTALLATION OF MATERIALS SHOWN ON THIS SHEET.
 9. HORNER AND SHIFRIN, INC., AND THE ENGINEER SEALING THIS DRAWING ARE RESPONSIBLE FOR THE STRUCTURAL DESIGN ONLY AS SHOWN ON THIS DRAWING. FABRICATION, ERECTION AND CONSTRUCTION PRACTICES ARE NOT THE RESPONSIBILITY OF HORNER AND SHIFRIN, INC., OR THE ENGINEER SEALING THIS DRAWING.

NO.	DATE	REVISION

Professional Engineer
 Name: Kevin C. Skibiski
 License No. 19452
 Expiration Date: 12/31/12

Professional Engineer
 Name: Charles Skibiski
 License No. E-19452
 Expiration Date: 12/31/12

HORNER & SHIFRIN, INC.
ENGINEERS

3200 OAKLAND AVE., ST. LOUIS, MO 63110-4490
 314-531-4321 • FAX 314-531-6966 • www.hornerandshifrin.com

Professional Engineer
 License No. 19452
 Expiration Date: December 31, 2012

ALUMINUM STAIR RAILING
STANDARD DETAIL SHEET

HANDRAIL, GLASS RAIL, ADA RAIL, FENCING

MADDEN MFG. CO
 331 DOGWOOD ROAD
 LAKE OZARK, MISSOURI 65049
 573-365-7040 800-248-1520

DATE: 4-8-11

DESIGNED: KCS
 DRAWN: TMH
 CHECKED: KCS

JOB NO. 1105600
 REF. NO. 1105600

SHEET 1 OF 1