



FLOMAX[®] 8 316 SS

2" X 2" 316 SS Self-Priming Centrifugal Pump

FLOMAX[®] 8, 316 SS self-priming centrifugal pumps are capable of creating vacuum sufficient to lift liquids from heights up to 25 feet above the source. Once primed, the pump's built in flapper valve will maintain a full column of liquid in the suction line.

A FLOMAX[®] 8, 316 SS PumPAK[®] is a fully assembled and run tested pump end that can be easily coupled to a number of drivers such as hydraulic motors, 56C and 145TC frame motors and gas engines. A bearing pedestal is also available for T-frame motor or belt drive.

Standard features include a 2" NPT 150# class flat flange on the suction of the pump, a Viton flapper, 2" SAE 4-bolt flat face discharge connection, stainless steel drive sleeve, stainless steel fasteners, renewable 316 SS wearplate, and a semi-open dynamically balanced 316 SS impeller. Options include a 5-blade high flow 316 stainless steel impeller and seals for all types of abrasive and/or corrosive services.

The FLOMAX[®] series of pumps are commonly used in Industrial, OEM, Agricultural and Marine applications, such as: Bilge Pumps, Auxiliary Fire Pumps, Ballast Transfer Pumps, Washdown Pumps, Fertilizer and Pesticide Pumps, Applicators & Sprayers, Blending Pumps, Nurse Tanks, Bulk Transfer Pumps and much more.



Application:

- Agricultural
- Industrial
- Marine
- OEM

Features:

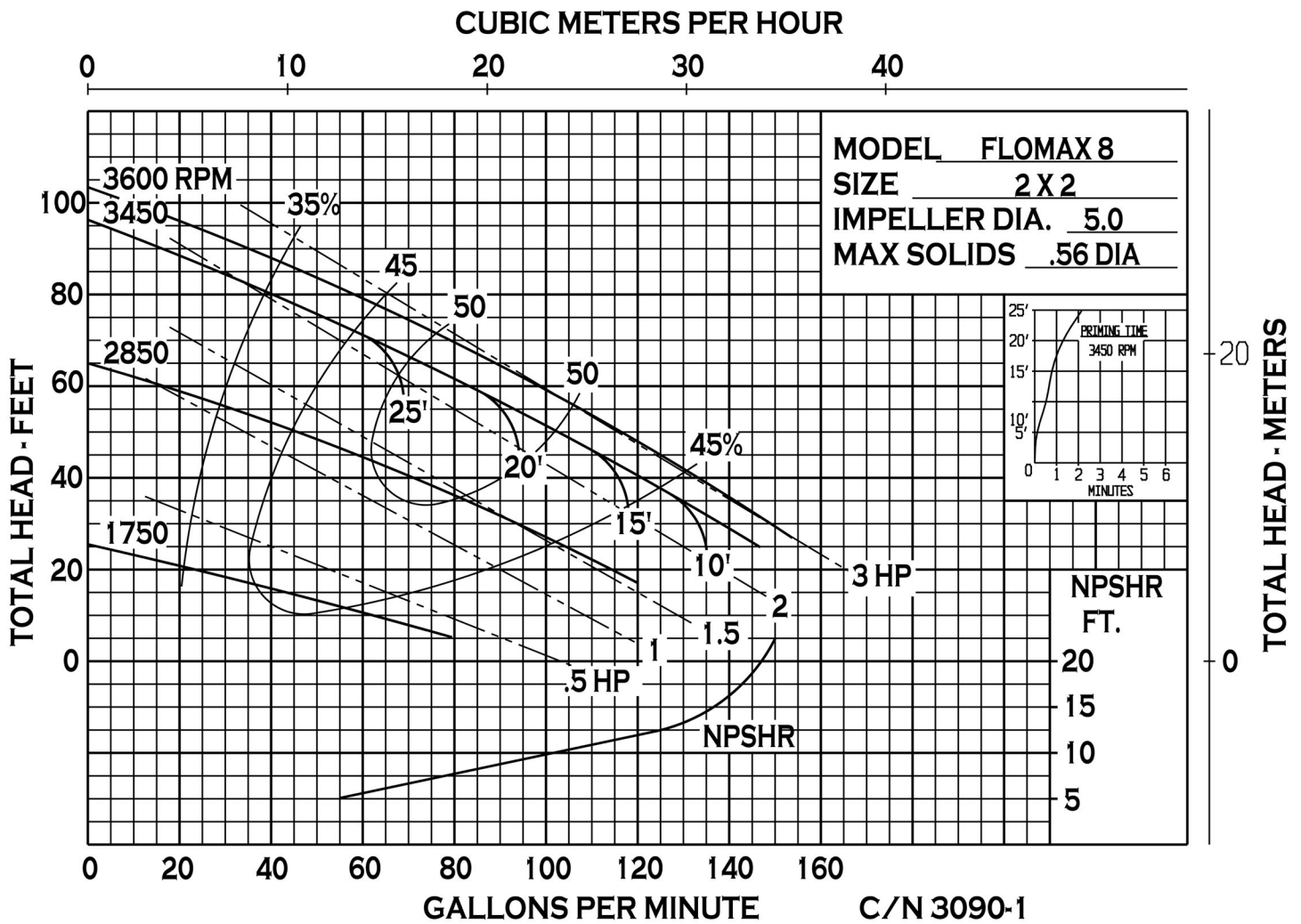
- Renewable wear plate
- Up to 25' suction lift

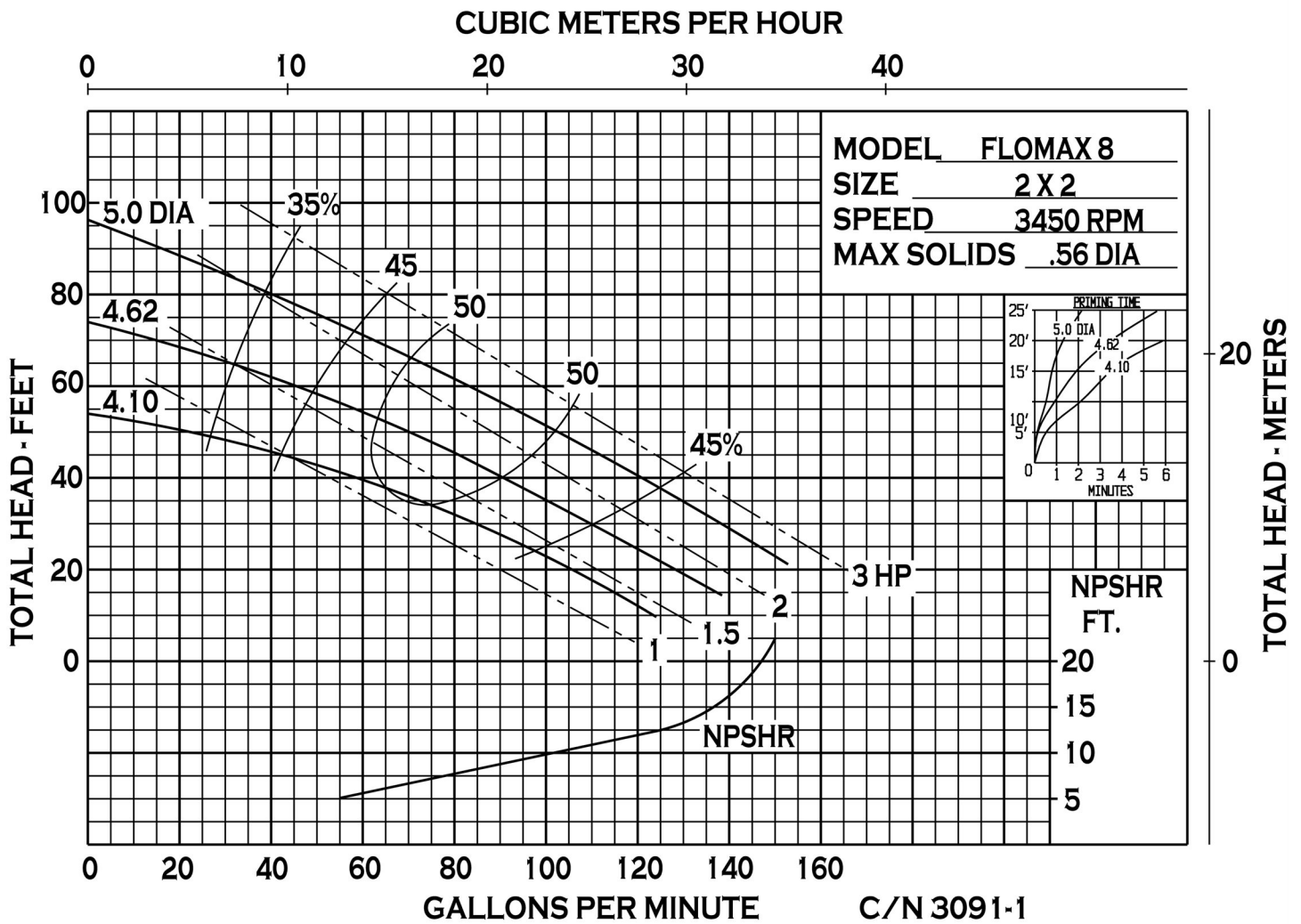
Options:

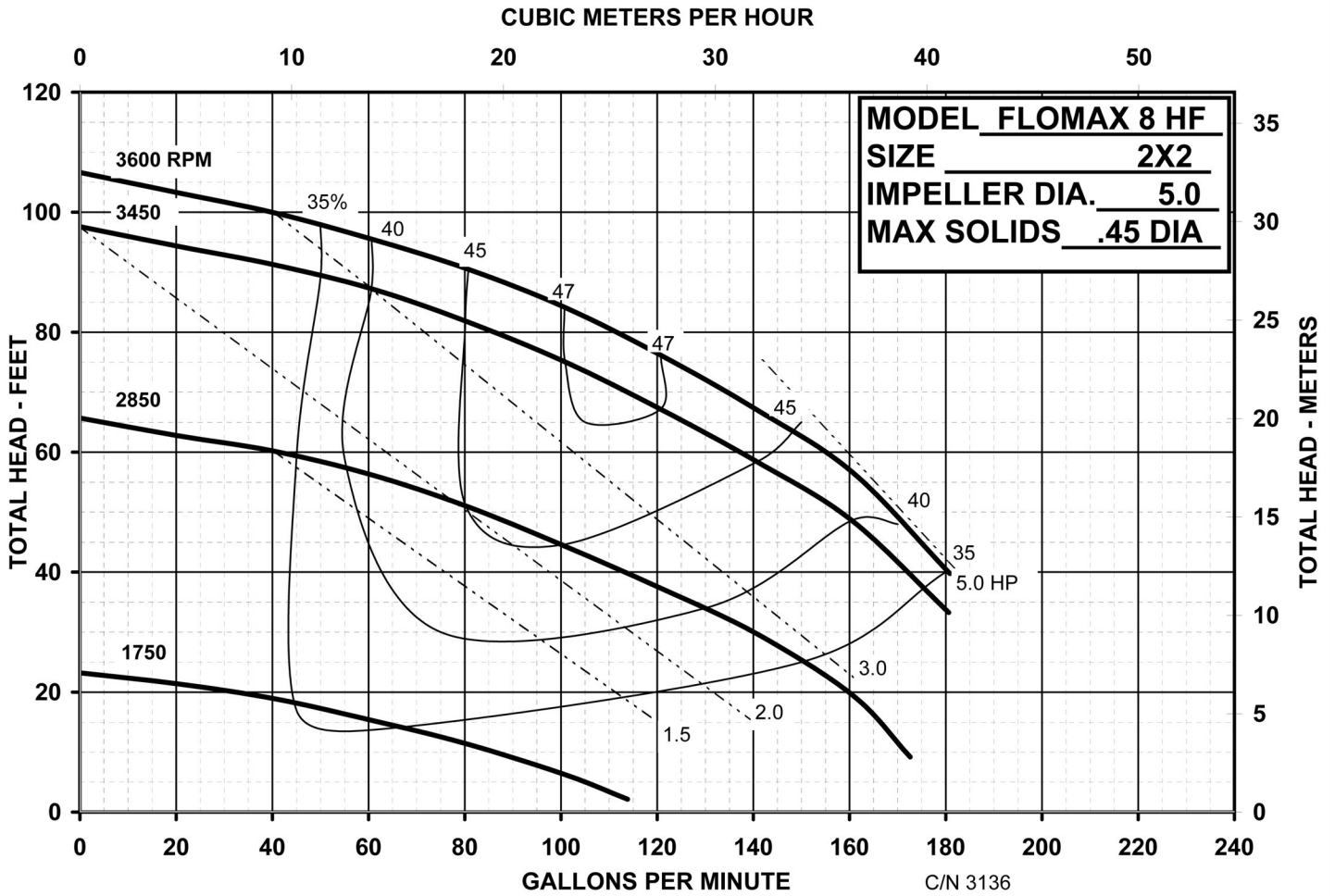
- 5 blade impeller for higher flows
- Available 2" NPT ANSI 150# class discharge flange kit (p/n: 36607)
- Hydraulic motor .37 cu. in.
- Hydraulic motor .45 cu. in.
- Hydraulic motor .58 cu. in.

SPECIFICATIONS:

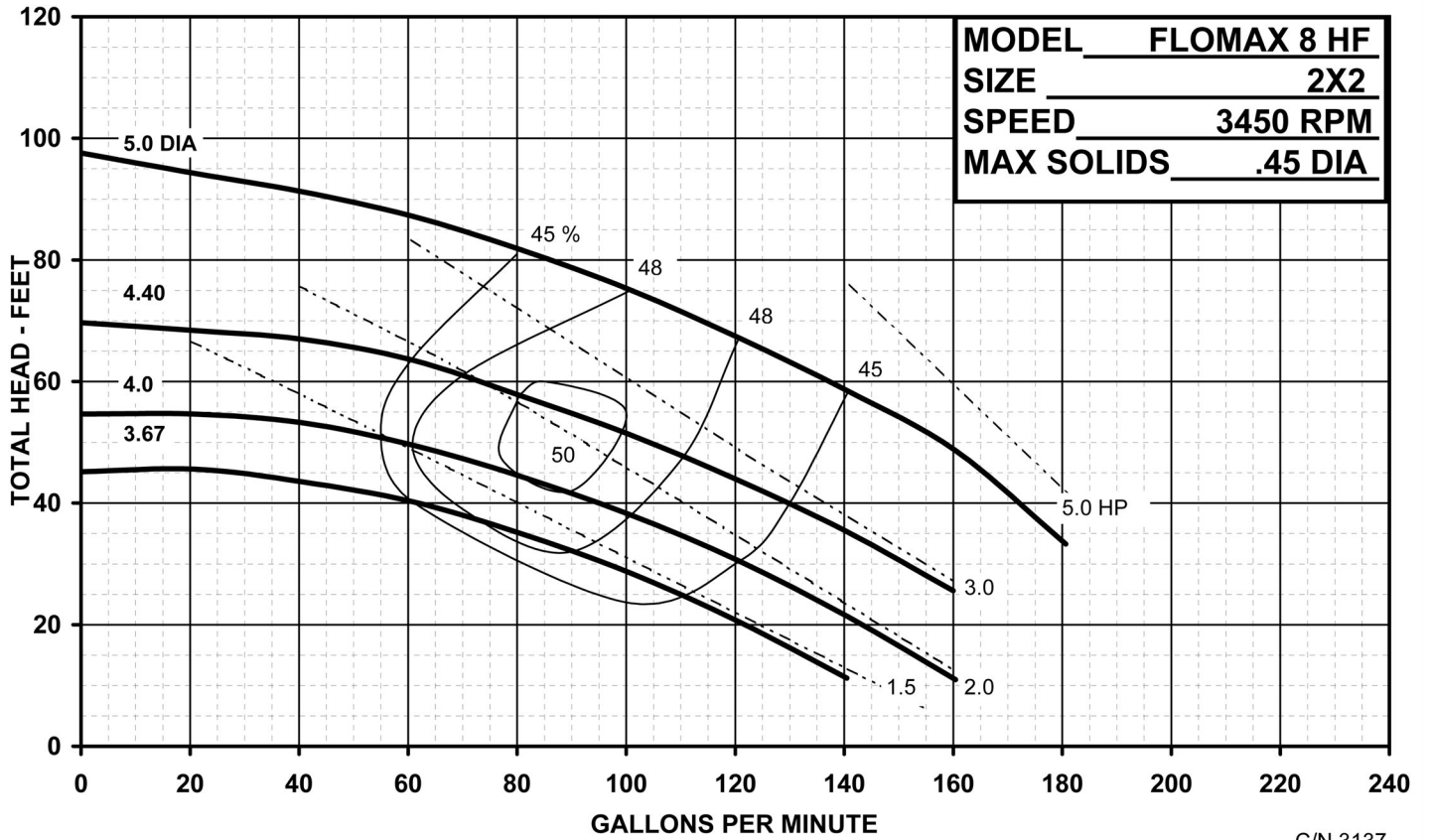
Discharge	2" SAE 4-bolt flat face
Suction	2" NPT 150# class flat flange with Viton flapper
Materials of Construction	316 Stainless Steel
Flow	Up to 150 GPM
Head Feet	Up to 100'
Impeller	5.0" max. diameter, semi-open
Motor	Up to 3HP
Drive Options	Close coupled to 145TC Close coupled to 56C Engine mount to 5.5HP Engine mount to 6.5HP Pedestal PumPak [®] (without motor)
Seal	carbon/ceramic/Viton Special seal material combinations available (consult factory)







34800 BENNETT • FRASER, MI 48026-1686
 (586) 293-8240 • FAX (586) 293-8469
 (800) 563-8006 • www.mppumps.com



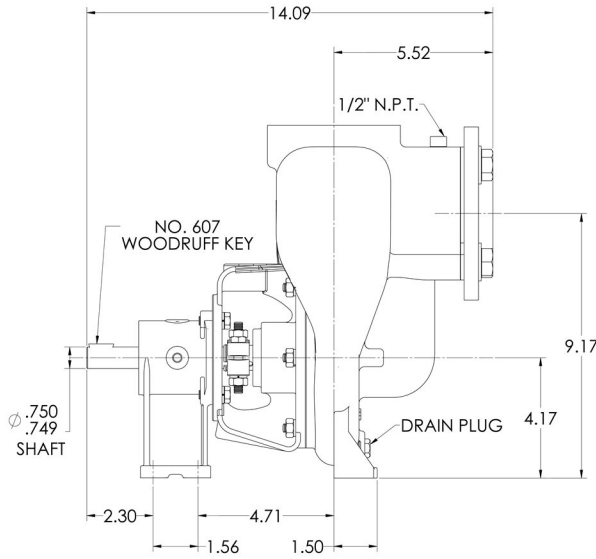
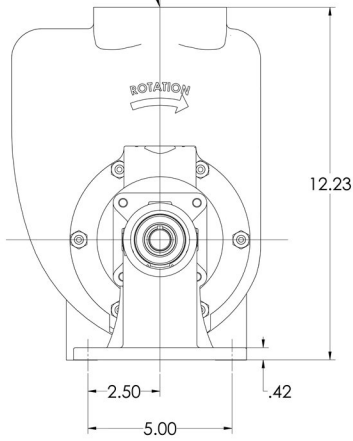
C/N 3137



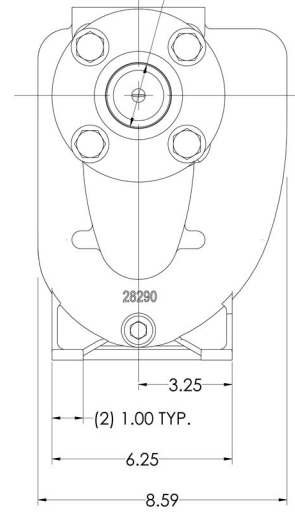
34800 BENNETT • FRASER, MI 48026-1686
 (586) 293-8240 • FAX (586) 293-8469
 (800) 563-8006 • www.mppumps.com

28399

OUTLET PORT
2" FLAT FACE
CLASS 150 FLANGE



2" N.P.T.
INLET PORT



PEDESTAL DRIVE

DESIGNED BY	DATE	REVISIONS	UNLESS OTHERWISE NOTED THIS DRAWING IS TO BE CONSIDERED AS A PRELIMINARY DRAWING AND IS NOT TO BE USED FOR CONSTRUCTION	MP PUMPS, INC. FRASER, MICHIGAN 48824, U.S.A.
DRAWN BY	DATE	REVISIONS	SCALE	SCALE
CHECKED BY	DATE	REVISIONS	SCALE	SCALE
APPROVED BY	DATE	REVISIONS	SCALE	SCALE
DO NOT SCALE			SCALE	SCALE
A. K.G. (8-22-13) D.D.			FLOMAX S.S. PUMP	
			28399	

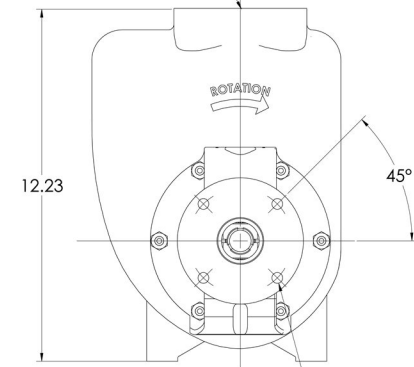
NOTE: THIS DRAWING OR PART THEREOF IS NOT TO BE REPRODUCED, COPIED, EITHER WHOLLY OR IN PART, OR TRANSMITTED IN ANY FORM OR BY ANY MEANS, ELECTRONIC OR MECHANICAL, INCLUDING PHOTOCOPYING, RECORDING, OR BY ANY INFORMATION STORAGE AND RETRIEVAL SYSTEM, WITHOUT THE WRITTEN PERMISSION OF MP PUMPS, INC. A PERMITTED COPY MAY BE OBTAINED BY CONTACTING MP PUMPS, INC. AT 34800 BENNETT, FRASER, MI 48826-1686.



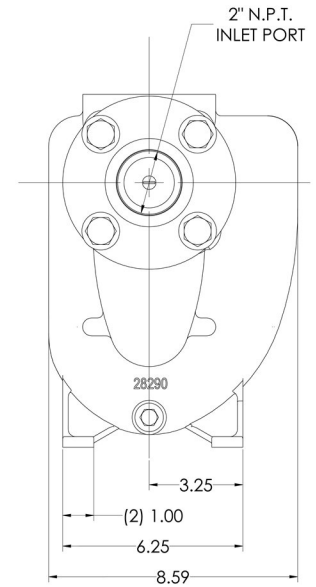
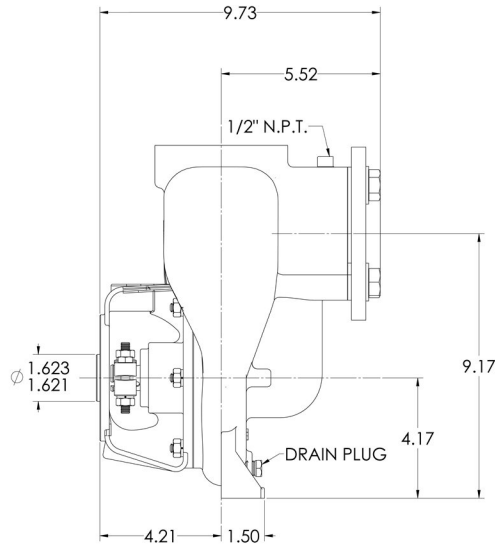
34800 BENNETT • FRASER, MI 48026-1686
(586) 293-8240 • FAX (586) 293-8469
(800) 563-8006 • www.mppumps.com

28396

OUTLET PORT
2" FLAT FACE
CLASS 150 FLANGE



(4) \varnothing .38 HOLES THRU
EQ. SPACED AS SHOWN
ON A \varnothing 3.625 B.C.



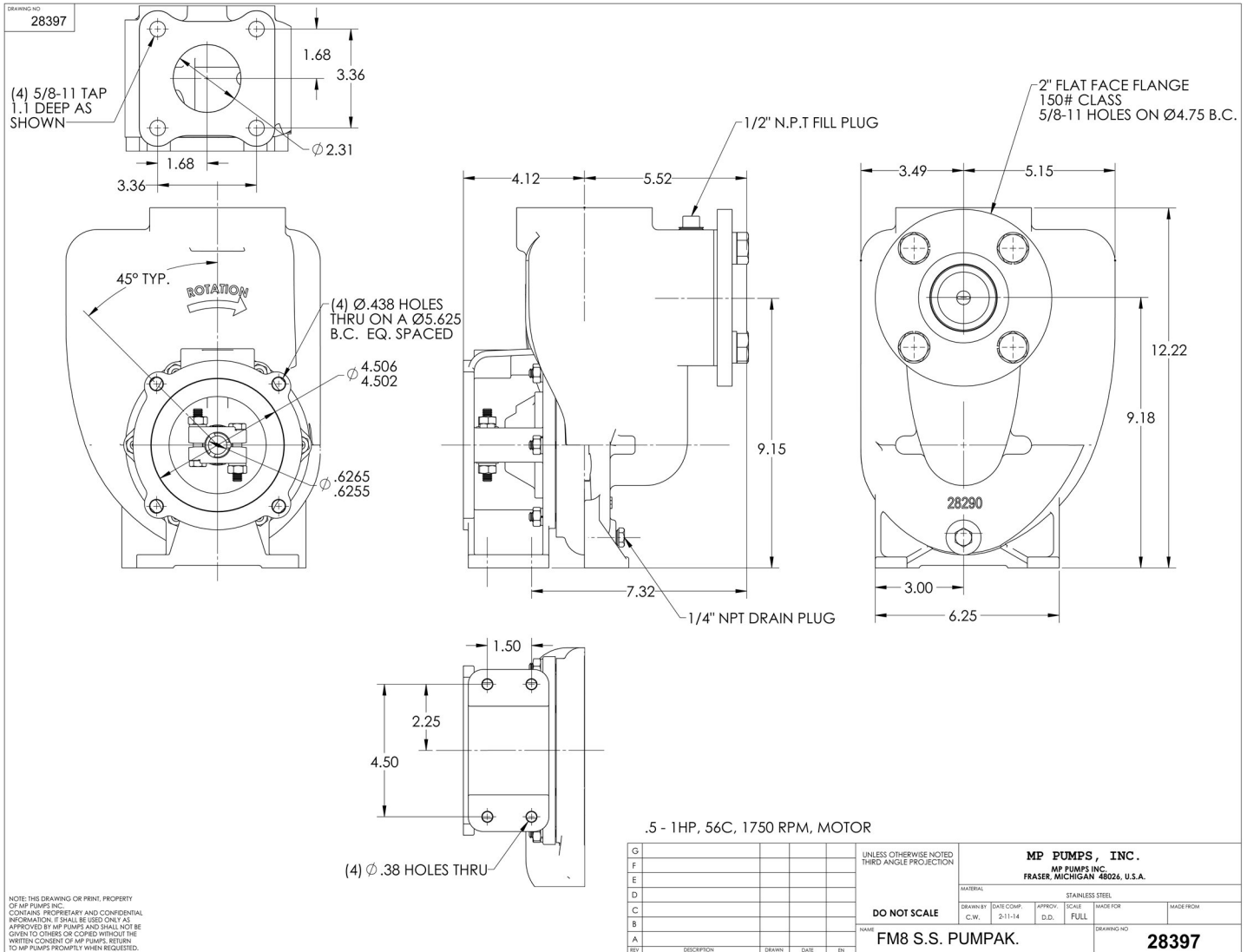
ENGINE - PERESTAL
LIFT HANDLE NOT SHOWN

Q		UNLESS OTHERWISE NOTED PUMP AND/OR MOTOR	MP PUMPS, INC.	
F		2 PLACE DIM + .000	FRASER, MICHIGAN 48824, U.S.A.	
E		3 PLACE DIM ± .001		
D		4 PLACE DIM ± .002		
C		5 PLACE DIM ± .003		
B		DO NOT SCALE	DESIGNED	DATE
A		SCALE	REVISED	BY
MATERIALS AND FINISHES		K.G.	28-22-13	D.D.
WEIGHT				
SERIAL NO.				
DRAWING NO.		FLOMAX S.S. PUMPAK		28396

NOTE: THIS DRAWING OR PART
HEREON IS AN UNCLASSIFIED, UNCONTROLLED
PROPERTY AND CONTAINS NO INFORMATION
RELATIVE TO THE NATIONAL DEFENSE
ACQUISITION REGISTRATION (NDAR) PROGRAM.
COPYING THIS DRAWING OR PART HEREON IS
UNRESTRICTED.

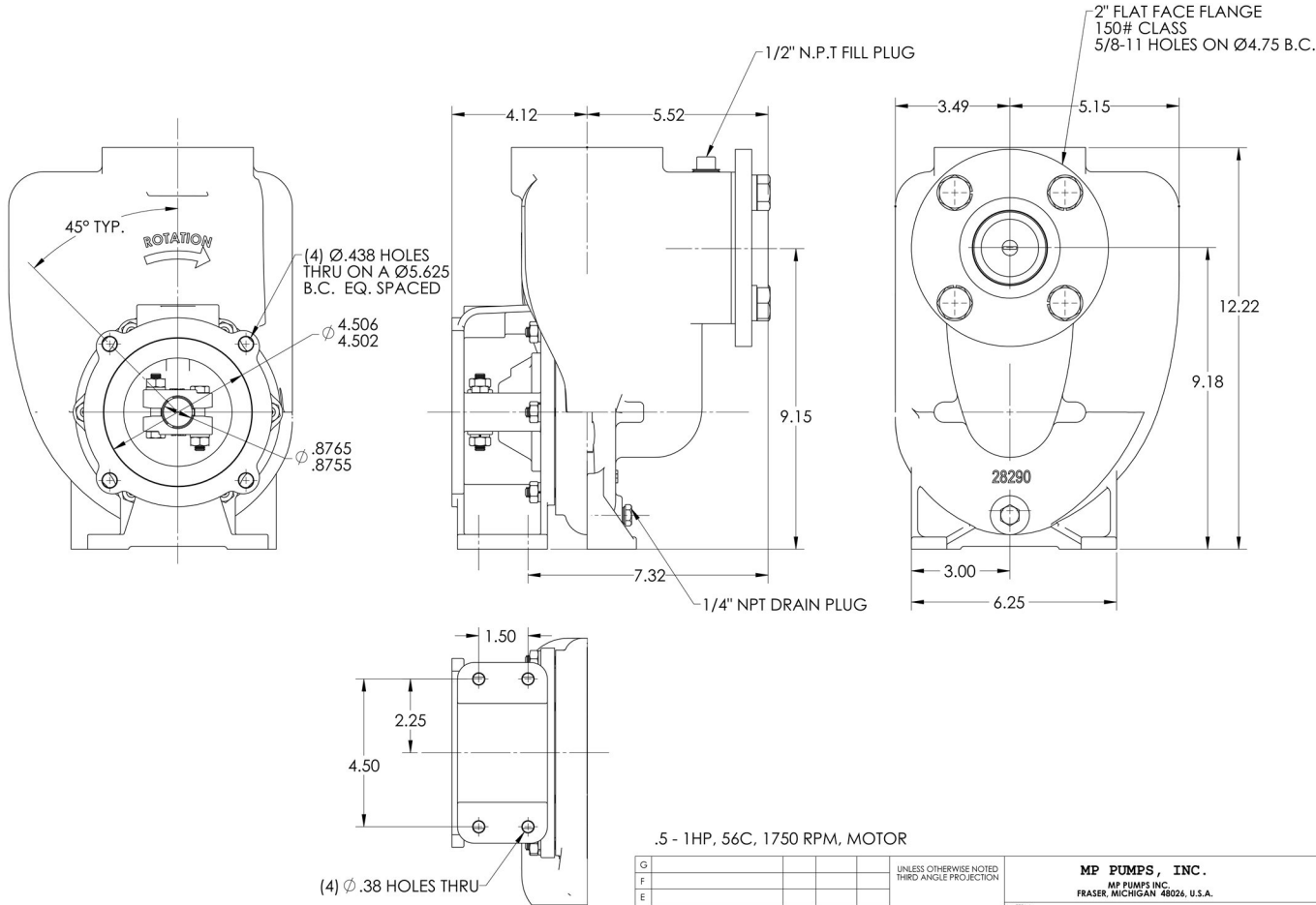


34800 BENNETT • FRASER, MI 48026-1686
(586) 293-8240 • FAX (586) 293-8469
(800) 563-8006 • www.mppumps.com



NOTE: THIS DRAWING OR PRINT, PROPERTY OF MP PUMPS, INC. CONTAINS PROPRIETARY AND CONFIDENTIAL INFORMATION. IT SHALL BE USED ONLY AS APPROVED BY MP PUMPS AND SHALL NOT BE GIVEN TO OTHERS OR COPIED WITHOUT THE WRITTEN CONSENT OF MP PUMPS. RETURN TO MP PUMPS PROMPTLY WHEN REQUESTED.

DRAWING NO:
28398



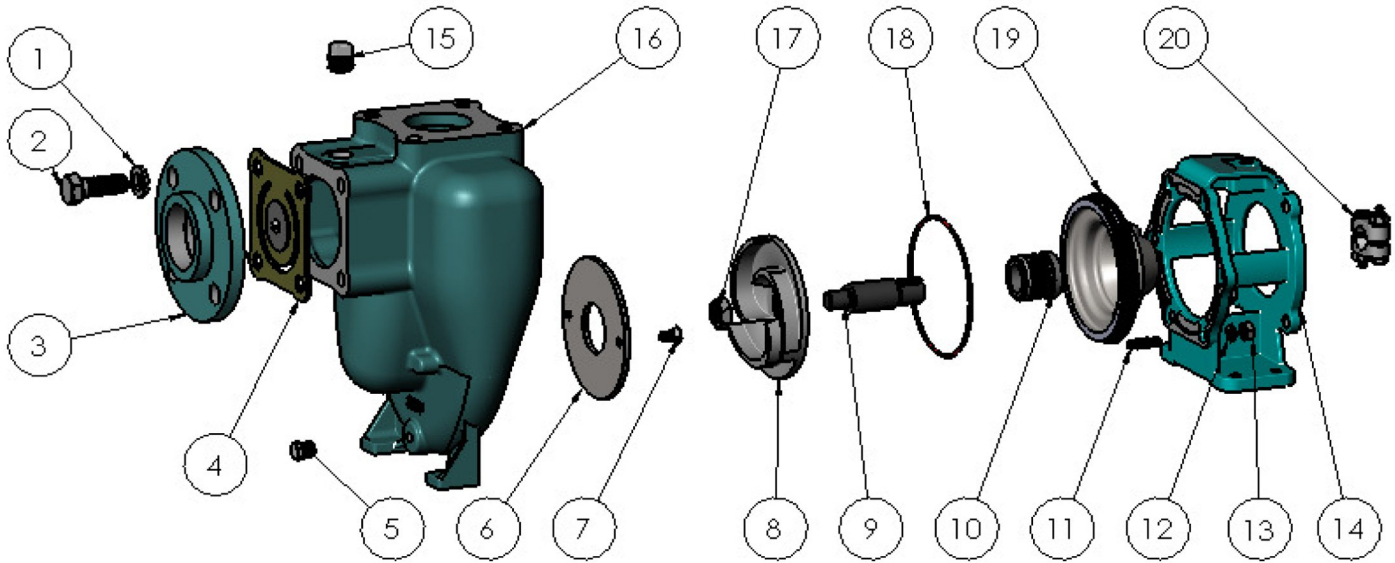
NOTE: THIS DRAWING OR PRINT, PROPERTY OF MP PUMPS, INC. CONTAINS PROPRIETARY AND CONFIDENTIAL INFORMATION. IT SHALL BE USED ONLY AS APPROVED BY MP PUMPS AND SHALL NOT BE GIVEN TO OTHERS OR COPIED WITHOUT THE WRITTEN CONSENT OF MP PUMPS. RETURN TO MP PUMPS PROMPTLY WHEN REQUESTED.

.5 - 1HP, 56C, 1750 RPM, MOTOR

G				UNLESS OTHERWISE NOTED THIRD ANGLE PROJECTION				MP PUMPS, INC. MP PUMPS, INC. FRASER, MICHIGAN 48026, U.S.A.			
F				MATERIAL: STAINLESS STEEL				DRAWN BY: DATE COMP. APPROV. SCALE MADE FOR MADE FROM			
E				C.W. 1-27-14 D.D. FULL							
D				DO NOT SCALE							
C				NAME: FM8 S.S. PUMPAK.				DRAWING NO: 28398			
B				DESCRIPTION				DRAWN DATE EN			
A											



34800 BENNETT • FRASER, MI 48026-1686
(586) 293-8240 • FAX (586) 293-8469
(800) 563-8006 • www.mppumps.com

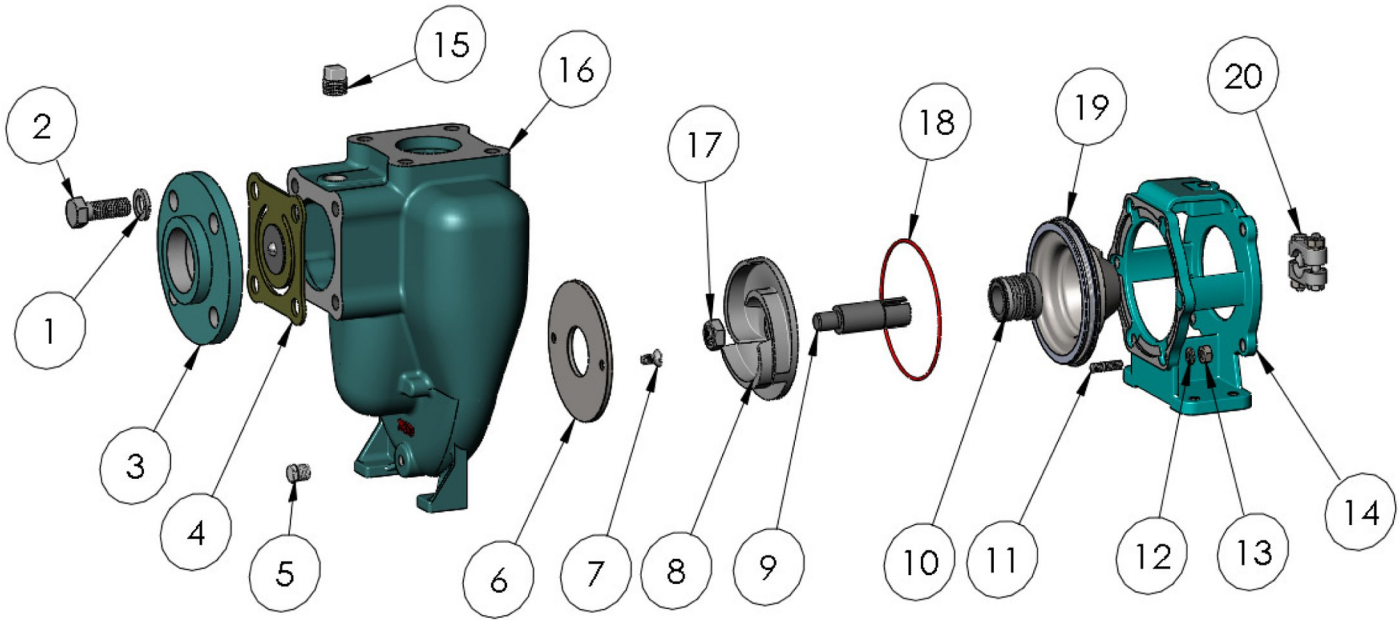


PART NO.	ITEM NO.	DESCRIPTION	QTY.	PART NO.	ITEM NO.	DESCRIPTION	QTY.
26853	1	LOCKWASHER S.S. - 5/8"	4	21284	13	HEXNUT - 5/16-18 - S.S.	8
36606	2	HEX HD. CAPSCREW S.S. - 5/8-11 X 1.75"	4	38708	14	SEAL HOUSING S.S.	1
36960	3	FLANGE S.S. - 2" NPT	1	22656	15	PIPE PLUG S.S. - 1/2" N.P.T.	1
* 37170	4	FLAPPER ASSY. - VITON	1	28276	16	HOUSING S.S.	1
21267	5	PIPE PLUG - 1/4" N.P.T. - S.S.	1	29194	17	HEX JAM NUT S.S. - 5/8-18	1
* 27978	6	WEAR PLATE - S.S.	1	34555	18	O-RING - VITON	1
28742	7	F.H. CAPSCREW 5/16-18 X 5/8" - S.S.	2	38704	19	SEAL ADAPTER A	1
22294	8	IMPELLER - S.S. - Ø5.0	1	23002	20	CLAMP ASSEMBLY S.S.	1
22253	9	DRIVE SLEEVE - 5/8" - S.S.	1				
* 22272	10	SEAL ASSEMBLY - 1.00" ØT-2100	1				
28059	11	STUD - 5/16-18 x 1.19" - S.S.	6				
21238	12	LOCKWASHER - 5/16 - S.S.	8				

*. RECOMMENDED REPLACEMENT PARTS



34800 BENNETT • FRASER, MI 48026-1686
 (586) 293-8240 • FAX (586) 293-8469
 (800) 563-8006 • www.mppumps.com



PART NO.	ITEM NO.	DESCRIPTION	QTY.	PART NO.	ITEM NO.	DESCRIPTION	QTY.
26853	1	LOCKWASHER S.S. - 5/8"	4	21284	13	HEXNUT - 5/16-18 - S.S.	8
36606	2	HEX HD. CAPSCREW S.S. - 5/8-11 X 1.75"	4	38708	14	SEAL HOUSING S.S.	1
36960	3	FLANGE S.S. - 2" NPT	1	22656	15	PIPE PLUG S.S. - 1/2" N.P.T.	1
* 37170	4	FLAPPER ASSY. - VITON	1	28276	16	HOUSING S.S.	1
21267	5	PIPE PLUG - 1/4" N.P.T. - S.S.	1	29194	17	HEX JAM NUT S.S. - 5/8-18	1
* 27978	6	WEAR PLATE - S.S.	1	34555	18	O-RING - VITON	1
28742	7	F.H. CAPSCREW 5/16-18 X 5/8" - S.S.	2	38704	19	SEAL ADAPTER A	1
22294	8	IMPELLER - S.S. - Ø5.0	1	23003	20	CLAMP ASSEMBLY S.S.	1
28933	9	DRIVE SLEEVE - 7/8" - S.S.	1				
* 22272	10	SEAL ASSEMBLY - 1.00" ØT-2100	1				
28059	11	STUD - 5/16-18 x 1.19" - S.S.	6				
21238	12	LOCKWASHER - 5/16 - S.S.	8				

*- RECOMMENDED REPLACEMENT PARTS



34800 BENNETT • FRASER, MI 48026-1686
 (586) 293-8240 • FAX (586) 293-8469
 (800) 563-8006 • www.mppumps.com