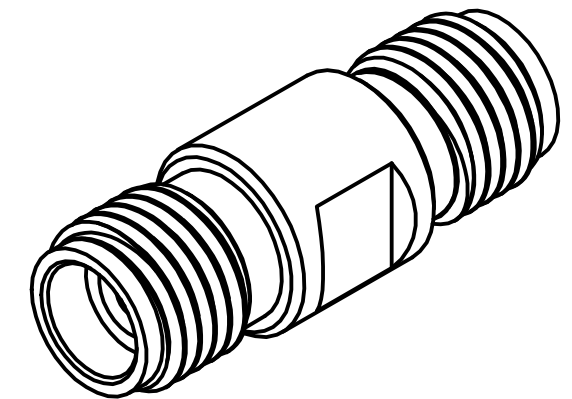
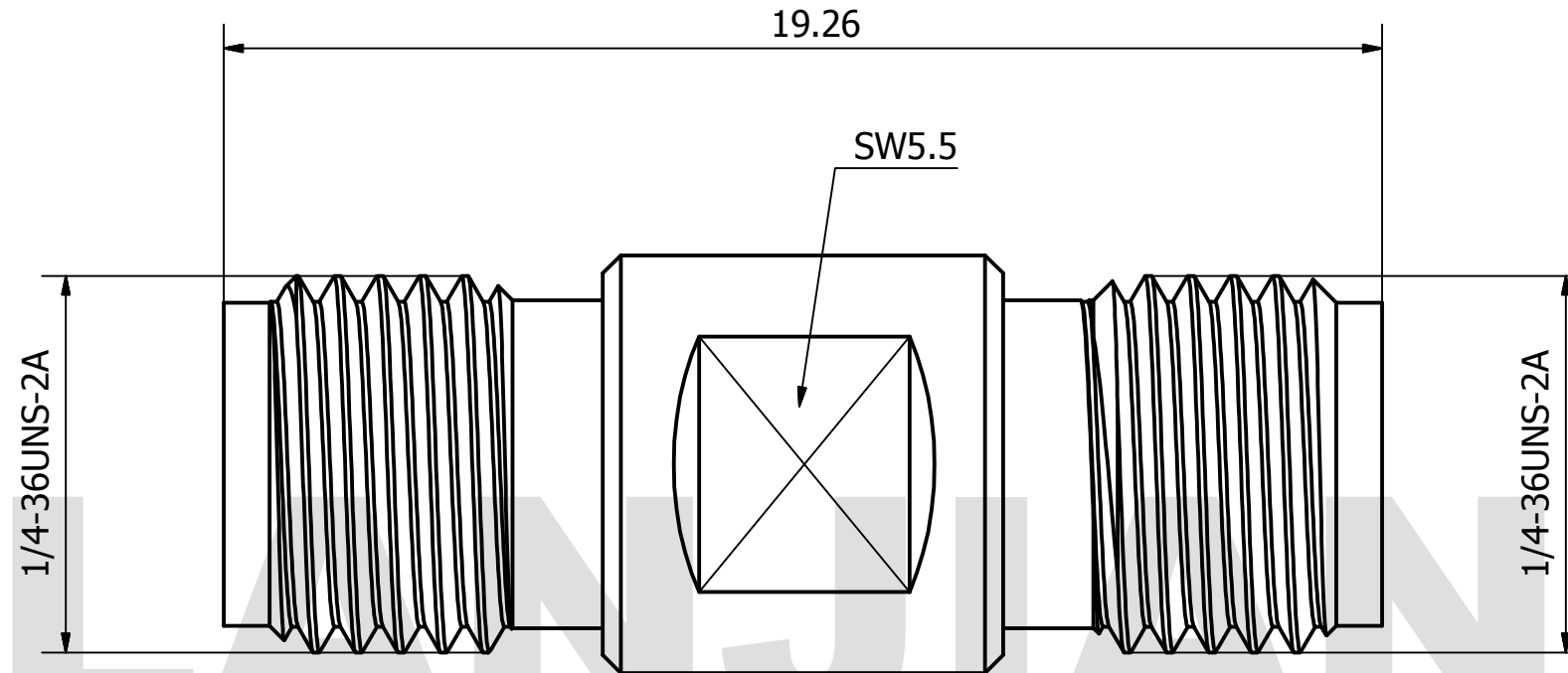


# PRODUCT DATA SHEET



**MATERIAL:**  
 BODY: STAINLESS STEEL PER AMS-5640,  
 ALLOY UNS S30300  
 CONTACT: BERYLLIUM COPPER PER ASTM B196.  
 ALLOY NO. UNS C17300  
 INSULATOR: PEI

**PERFORMANCE:**  
 IMPEDANCE: 50 OHMS  
 FREQUENCY: DC TO 33 GHz  
 VSWR: ≤1.30

THIS DOCUMENT CONTAINS CONFIDENTIAL AND PROPRIETARY INFORMATION THAT CANNOT BE REPRODUCED OR DIVULGED, IN WHOLE OR IN PART, WITHOUT WRITTEN AUTHORIZATION FROM "LANJIAN ELECTRONICS"	MATERIAL :			<p>38 Hengtong Road, Xinqu Dingmao Zhenjiang, 212009, Jiangsu, P. R. China</p>
	UNLESS OTHERWISE SPECIFIED: DIMENSIONS IN MM			
	TOLERANCES :			
	X.X ±0.20	ANGULAR : ±1°	DEBURR AND BREAK SHARP EDGES	
	X.XX ±0.10	FILLETS R/C : ±0.10		
	X.XXX ±0.01	SURFACE FINISH : Ra 1.6		
		NAME	DATE	SIGNATURE
	DRAWN			
	CHK'D			
	APPV'D			
MFG				
PROJECTION		SIZE	SCALE	TITLE  <b>2.92/3.5-KK straight adaptor</b>
		A3	8 : 1	
DO NOT SCALE THE DRAWING			DWG No. GCPZ3.640.C.027 REV.	
			PAGE 1 / 1	