

# THERMA-FUSER™

THEMALLY POWERED VAV DIFFUSER



MODULAR VAV SYSTEMS

## SUBMITTAL

### Model

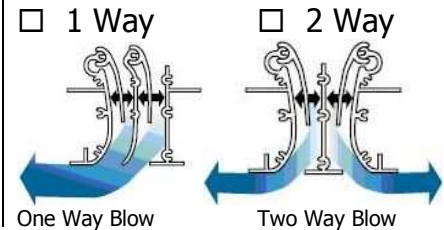
- EL** DDC Interoperable Linear Slot VAV Diffuser w/ Blade Damper



### Size

	Actual Length		Metric Lengths		Number of Slots
	INCHES	mm	mm	mm	
<input type="checkbox"/> -24	23 <sup>3</sup> / <sub>4</sub>	603	-24	595	<input type="checkbox"/> -1
<input type="checkbox"/> -36	35 <sup>3</sup> / <sub>4</sub>	908	-36	895	<input type="checkbox"/> -2
<input type="checkbox"/> -48	47 <sup>3</sup> / <sub>4</sub>	1213	-48	1195	<input type="checkbox"/> -4
<input type="checkbox"/> -60	59 <sup>3</sup> / <sub>4</sub> <sub>6</sub>	1518	-60	1495	

### Blow Direction



- LonWork® Protocol – LonMark® Compliance

### Inputs

- Temperature Setpoints by Occupancy Mode
- Minimum Air Flow
- Minimum Air Flow Standby
- Maximum Air Flow
- Manual Override
- Occupancy/Application Mode
- VAV Heating/Cooling or VAV Cooling Only (additional inputs available)

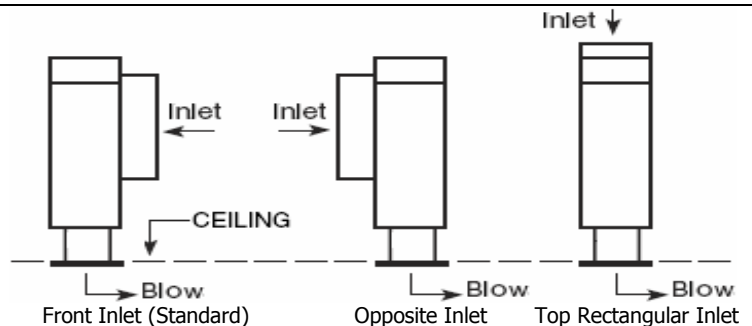
### Outputs

- Space Temperature
- Airflow Rate
- Unit Status
- Effective Setpoint
- Terminal Load (additional outputs available)

### Options

#### Inlet

- Front Inlet (Standard) – One way blow diffusers blow toward the same side as the front inlet.
- O Opposite Inlet – One way blow diffusers blow away from the side with the opposite inlet.
- R Rectangular Top Inlet – One way or two way blow diffusers.

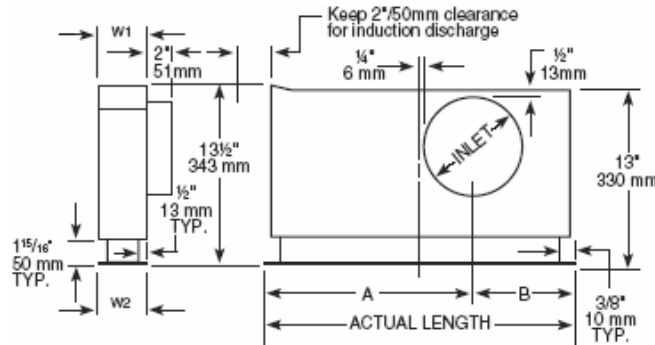


- I Insulation, internal

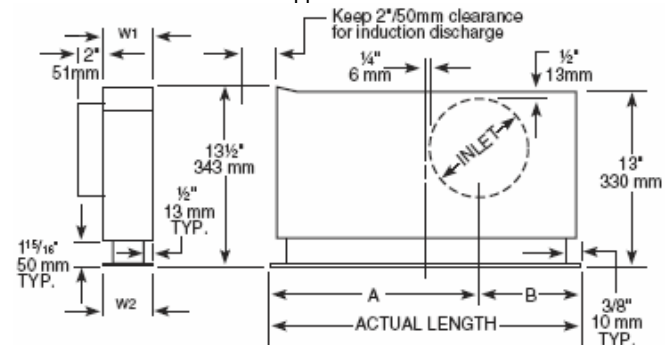
## Dimensions

### EL & TL-RAD

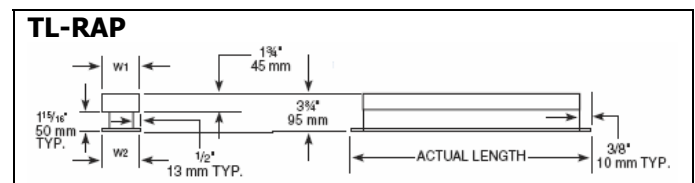
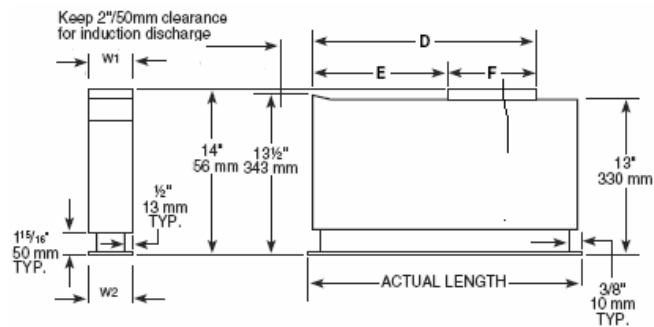
**Front Inlet (Standard)** – One way blow diffusers blow toward the same side as the front inlet.



**Opposite Inlet** – One way blow diffusers blow away from the side with the opposite inlet.



**Rectangular Top Inlet** – Available for both one and two way blow diffusers.



### ONE AND TWO SLOT

Length Designation	Actual Length*	Inlet	A	B	D	E	F	W1	W2		
									1 Slot 1 Way	2 Slot 1 Way	2 Slot 2 Way
24	23 3/4 in. 603 mm	5 7/8 in. 150 mm	15 1/8 in. 382 mm	8 11/16 in. 221 mm	19 3/4 in. 502 mm	11 3/4 in. 298 mm	8 in. 203 mm	4 in. 102 mm	2 9/16 in. 65 mm	3 3/4 in. 95 mm	4 in. 102 mm
36	35 3/4 in. 908 mm	5 7/8 in. 150 mm	21 1/8 in. 535 mm	14 11/16 in. 373 mm	26 7/8 in. 683 mm	18 7/8 in. 479 mm	8 in. 203 mm	4 in. 102 mm	2 9/16 in. 65 mm	3 3/4 in. 95 mm	4 in. 102 mm
48	47 3/4 in. 1213 mm	7 7/8 in. 200 mm	28 1/8 in. 713 mm	19 11/16 in. 500 mm	36 7/8 in. 937 mm	20 7/8 in. 530 mm	16 in. 406 mm	4 in. 102 mm	2 9/16 in. 65 mm	3 3/4 in. 95 mm	4 in. 102 mm
60	59 3/4 in. 1518 mm	7 7/8 in. 200 mm	34 1/8 in. 865 mm	25 11/16 in. 653 mm	36 7/8 in. 937 mm	20 7/8 in. 530 mm	16 in. 406 mm	4 in. 102 mm	2 9/16 in. 65 mm	3 3/4 in. 95 mm	4 in. 102 mm

### FOUR SLOT

Length Designation	Actual Length*	Inlet	A	B	D	E	F	W1	W2	
									4 Slot 1 Way	4 Slot 2 Way
24	23 3/4 in. 603 mm	7 7/8 in. 200 mm	15 1/8 in. 382 mm	8 11/16 in. 221 mm	21 3/4 in. 552 mm	11 3/4 in. 298 mm	10 in. 254 mm	6 5/8 in. 160 mm	6 in. 153 mm	6 3/8 in. 162 mm
36	35 3/4 in. 908 mm	7 7/8 in. 200 mm	21 1/8 in. 535 mm	14 11/16 in. 373 mm	26 7/8 in. 683 mm	16 7/8 in. 429 mm	10 in. 254 mm	6 5/8 in. 160 mm	6 in. 153 mm	6 3/8 in. 162 mm
48	47 3/4 in. 1213 mm	9 7/8 in. 250 mm	28 1/8 in. 713 mm	19 11/16 in. 500 mm	38 7/8 in. 987 mm	20 7/8 in. 530 mm	18 in. 457 mm	6 5/8 in. 160 mm	6 in. 153 mm	6 3/8 in. 162 mm
60	59 3/4 in. 1518 mm	11 7/8 in. † 300 mm †	34 1/8 in. 865 mm	25 11/16 in. 653 mm	38 7/8 in. 987 mm	20 7/8 in. 530 mm	18 in. 457 mm	6 5/8 in. 160 mm	6 in. 153 mm	6 3/8 in. 162 mm

\* 595, 895, 1195 and 1495 mm lengths are available to fit metric ceilings.

† Oval shaped inlet