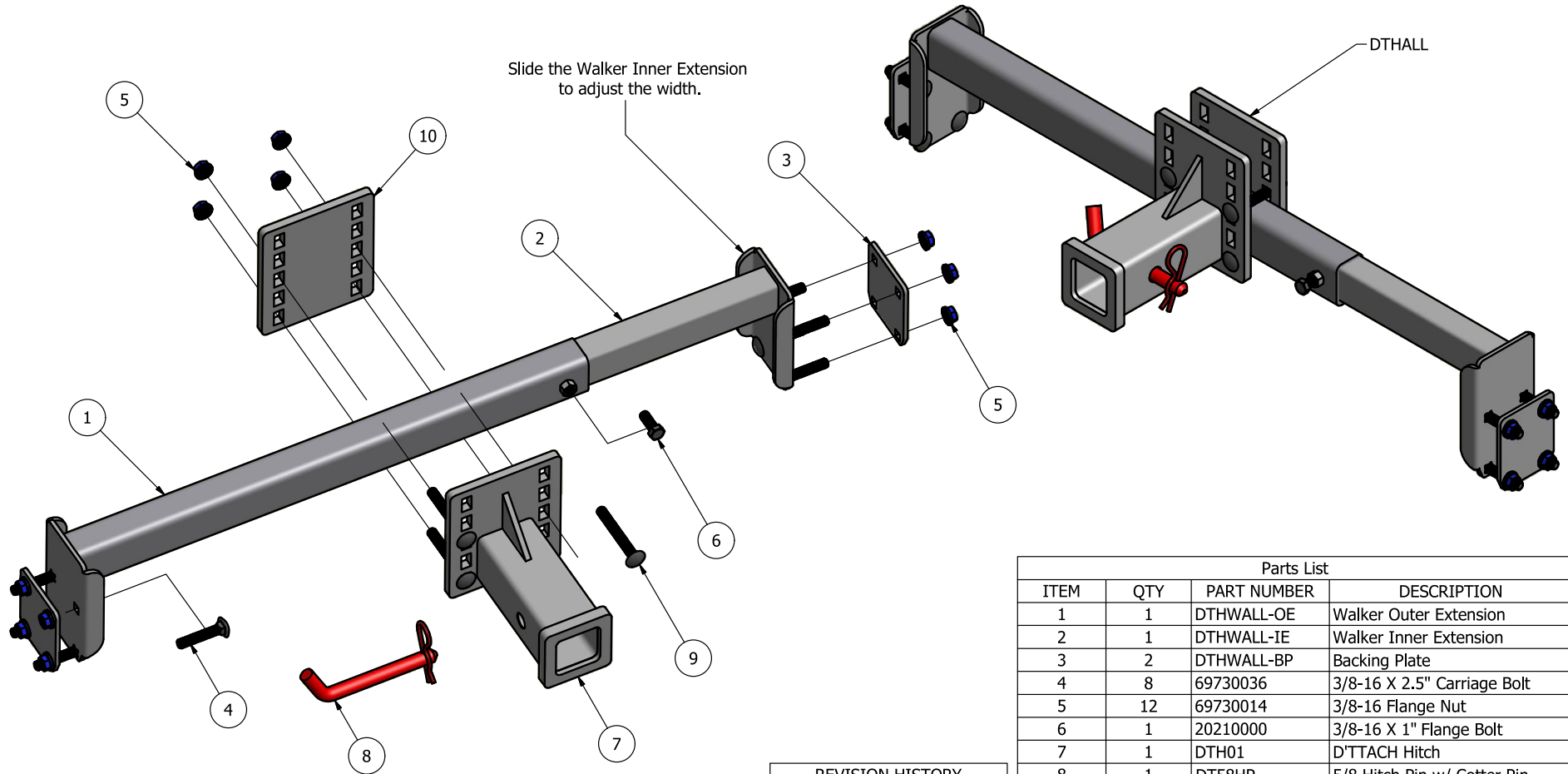


D'TTach™ Walker Hitch

Commercial Mower Hitch & Attachment Series

Part Number: DTHWALL

NOTE: Fits Walker 36"-52" GHS (Includes DTHALL)



Parts List			
ITEM	QTY	PART NUMBER	DESCRIPTION
1	1	DTHWALL-OE	Walker Outer Extension
2	1	DTHWALL-IE	Walker Inner Extension
3	2	DTHWALL-BP	Backing Plate
4	8	69730036	3/8-16 X 2.5" Carriage Bolt
5	12	69730014	3/8-16 Flange Nut
6	1	20210000	3/8-16 X 1" Flange Bolt
7	1	DTH01	D'TTACH Hitch
8	1	DT58HP	5/8 Hitch Pin w/ Cotter Pin
9	4	69860007	3/8-16 X 3" Carriage Bolt
10	1	DTHBP	D'TTACH Hitch Back Plate

REVISION HISTORY	
REV	DATE
A	9/25/2019

J.C.B