



Name: \_\_\_\_\_

Date: \_\_\_\_\_

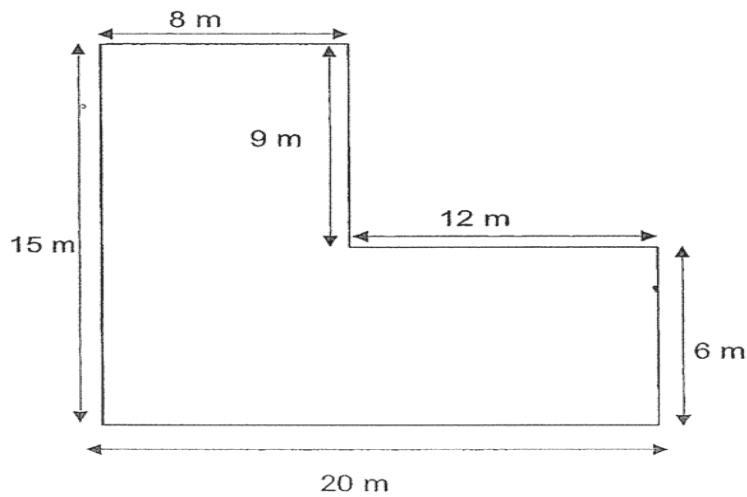
### P3 Problem Sum Worksheet

#### Topic : Area and Perimeter

#### Question 1

The figure shown below is a plot of land Mr Gan used for farming.  
He wants to build a fence around it.

- (a) Find the length of the fencing that Mr Gan needs.
- (b) If the cost of fencing his plot of land is \$2 per metre, how much must Mr Gan pay to fence up his plot of land?

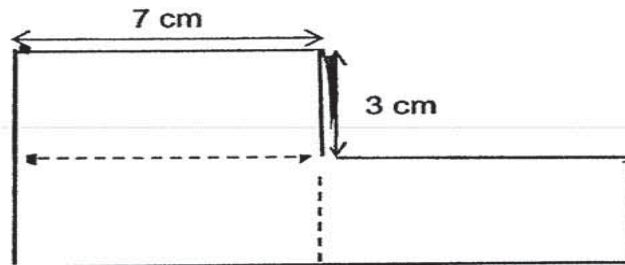


**Question 2**

The figure below is made up of 3 identical rectangles.

Each rectangle is 7 cm long and 3 cm wide.

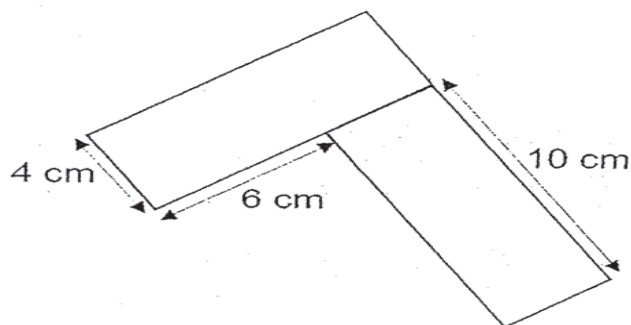
- (a) Find the area of one rectangle.
- (b) Find the perimeter of the figure.



**Question 3**

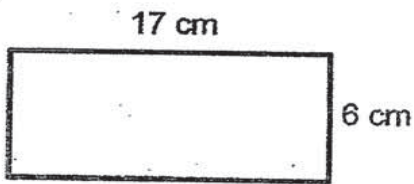
The figure below is made up of two identical rectangles.

- (a) What is the area of one of the rectangles?
- (b) What is the perimeter of the figure?



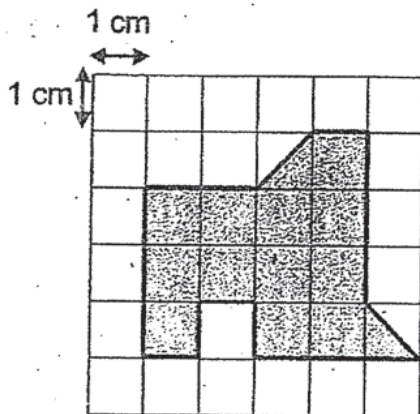
**Question 4**

The figure below shows a rectangle of length 17 cm and breadth 6 cm. What is the area of the rectangle?



**Question 5**

Find the area of the shaded figure.



**Question 6**

Find the area of the square shown below.

