

2025 BC-25 'CLASSIC' SW & DW

BY BCROASTERS.COM

THE BEST OF THE CLASSIC ROASTERS!

THE 2025 BC-25 MODELS KEEP ALL THE GREAT FEATURES OF THE PREVIOUS YEARS WITH SOME NEW DESIGN FEATURES IN THE NECK & HOPPER RELEASE PLUS MORE HEAVY DUTY FEATURES IN THE BODY OF ROASTER. SOME OF THE UPDATED FEATURES ADDED IN THE PAST COUPLE YEARS ARE LISTED AND FEATURED BELOW:

1. NEW PROTECTIVE NECK AND HOPPER GATEWAY DESIGN
2. EXTRA HD BODY FEATURES WITH ADDED STAINLESS STEEL
3. NEW ELECTRICAL CIRCUIT BREAKER SYSTEM
4. NEW FRONT BEARING SYSTEM THAT ALLOWS ON THE FLY DRUM ALIGNMENTS
5. EASY ACCESS TO BACK DRUM SYSTEM FOR MAINTENANCE
6. A NEW BACK DRUM SHAFT WHEEL FOR QUICK REMOVAL OF BEANS IN THE EVENT OF A POWER OUTAGE WHILE ROASTING
7. TWO WAYS TO CONTROL AIRFLOW VIA THE MANUAL DIAL DAMPER PLUS PRECISE AIR FLOW CONTROL VIA A FAN SPEED CONTROLLER POWERED BY A 3 PHASE MOTOR AND CONVERTER
8. NEW FRONT ENTRY DOOR TO BURNER ROOM ALLOWING QUICK MAINTENANCE WHEN NEEDED
9. NEW DATA LOGGER COMPUTER CHIP TO ALLOW DIRECT BLUETOOTH CONNECTIVITY WHILE USING ARTISAN SOFTWARE.
10. NEW IGNITER SYSTEM MODULE

ADD ALL THE ABOVE TO THE MANY PREVIOUS FEATURES WE HAVE ADDED OVER THE LAST SEVERAL YEARS AND YOU HAVE THE MOST ADVANCED BC-25 ROASTER ON THE MARKET.

THE BC-25 HD IS THE WORKHORSE IN THE BC LINE. IT WILL ROAST UP TO 125LB. PER HOUR. IT FEATURES EASY TO USE CONTROL PANEL WITH BUILT IN SAFETY FEATURES SUCH AS PILOT LIGHT, AND MANY OTHER FEATURES TO ENSURE SAFE OPERATION. COMPLETE AIRFLOW CONTROL VIA THE MDDS AIRFLOW SYSTEM. LED LAMP TO LIGHT THE WAY AND LOCKING CASTERS TO MAKE FOR EASY MOVING AND SETUP. DIRECT CONNECT CHAFF UNIT FOR REDUCED FOOTPRINT AND GREATER EFFICIENCY.

IN 2022 WE ADDED MORE HEAVY DUTY FEATURES SUCH AS A NEW HD CHAFF FAN AND HD GAS GAUGE PLUS NEW CUSTOM MADE 3MM THICK THERMOCOUPLES FOR QUICK RESPONSE. A MAG AIRFLOW GAUGE IS INCLUDED & YOU CAN ALSO ADD AN OPTIONAL COOLING TRAY COVER.

“GET YOUR ROAST ON!”



BC-25 HD	GAS TYPE
Batch Size	6-25lb.
Roasting Time	10-15 minutes
Production	96-125lb.hr
Heat Source	NG/LPG
Voltage	220V
Wattage	900W
Drum Motor	200W
Chaff Fan Motor	180W*
Cooling Fan Motor	370W
MIXING ARM	90W
BTU	86,400
NG PRESSURE	7-14WC
LPG PRESSURE	MAX. 16-20WC
Gas Consumption	1.2kg/hr
Roaster Dim.	66x42x74 (LxWxH)
Roaster Weight	1254lb.
Package Dimensions	71x46x65 1365lb.

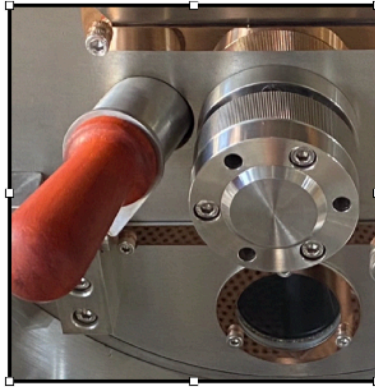
* OPTIONAL 370W CHAFF FAN AVAILABLE UPON REQUEST

FEATURES

DRUM TYPE
TEMPERATURE CONTROL
THERMOCOUPLES
CONTROL PANEL
WARRANTY
PARTS AVAILABLE
DATA LOGGING
THERMOCOUPLES

SINGLE OR DOUBLE WALL
2 OMRON CONTROLS w/BT & ET
K-TYPE FOR BT & ET
BT & ET VEIW ON PANEL
1 YEAR PARTS & INSTRUCTION
10 YEAR PARTS GUARANTEE IN STOCK
USB & BT DATA LOGGING
3MM CUSTOM PROBES

SOME STANDARD KEY FEATURES



NEW FRONT BEARING SYSTEM



EASY ACCESS BELT COVER



NEW DRUM SHAFT WHEEL



NEW NECK & HOPPER RELEASE



NEW PRECISE ELECTRONIC AIRFLOW CONTROL



FRONT BURNER ROOM DOOR



NEW CIRCUIT BREAKER SYSTEM

PLUS NEW BLUETOOTH DIRECT CHIP FOR ARTISAN!



NEW IGNITER SYSTEM



ALL BC ROASTERS OFFER THE MAG AIRFLOW CONTROL GAUGE

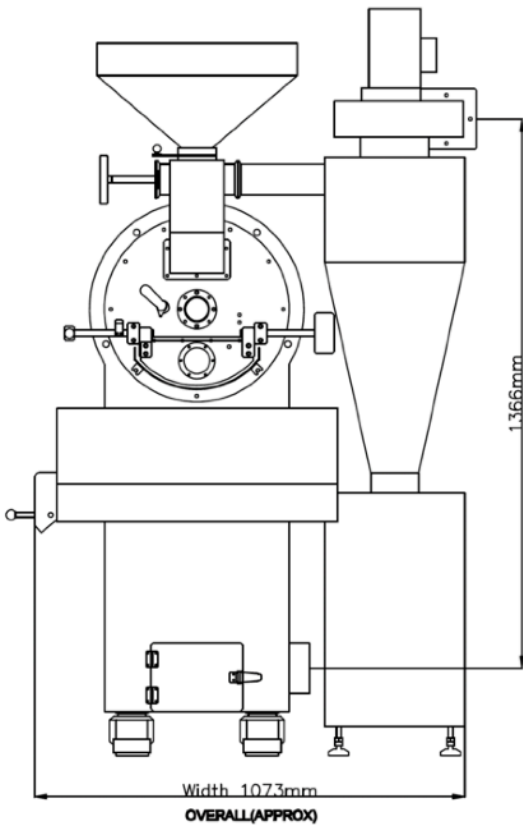
PLUS MANY MORE STANDARD FEATURES
ALL INCLUDED AT NO EXTRA COST TO YOU!

THE BC-25 HD IS A HEAVY DUTY ROASTER BUILT WITH A CARBON STEEL BODY WITH APPROVED POWDER COAT HIGH TEMPERATURE BODY IN BLACK, RED OR WHITE & SPECIAL ORDER PURPLE. THE HOUSINGS COME IN A VARIETY OF CHOICES.

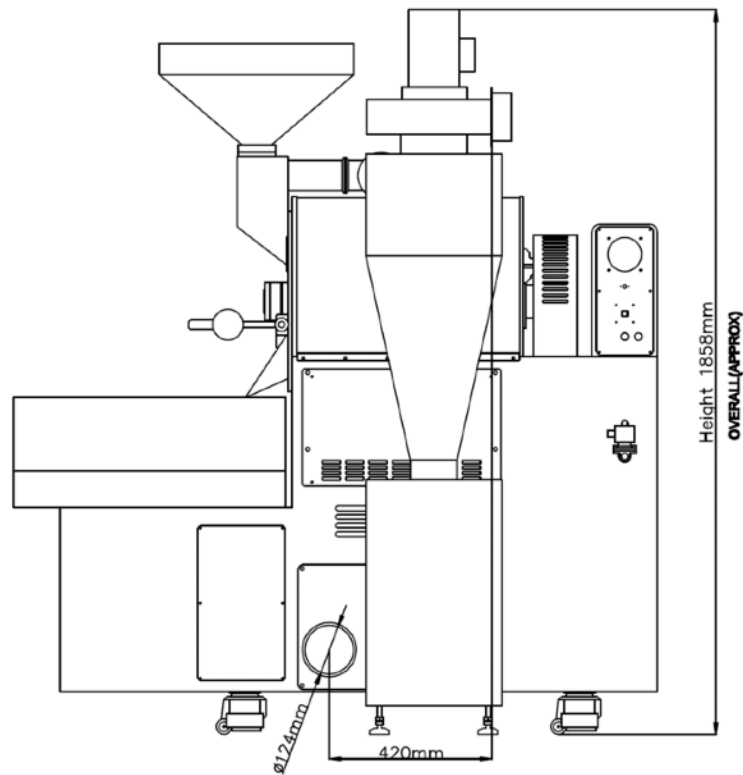
TWO EXHAUST PIPE COME OFF THE BC-25. BOTH VENTS HAVE 5" CONNECTIONS. THE CHAFF EXHAUST AT 5" AS SHOWN BELOW AND CAN BE EXHAUSTED SEPARATELY OUT OF BUILDING OR JOINED TO THE 5" COOLING EXHAUST WITH A BLAST DAMPER OR BACKDRAFT DAMPER ABOVE CHAFF UNIT. (5" OR 6" HIGH TEMPERATURE VENTING IS RECOMMENDED WHEN VENTING EACH SEPARATELY)

***CLIENT IS RESPONSIBLE TO CONFIRM ACTUAL VENTING SIZES ON MACHINE RECEIVED PRIOR TO ORDERING THEIR VENTING**

2023/24 BC-25 Drawings

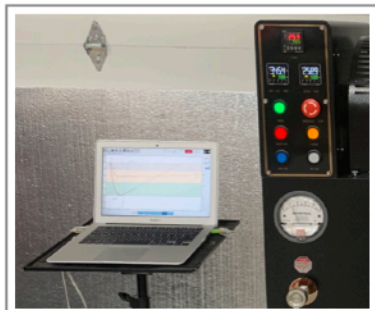


2023/24 BC-25 Drawings



COMPUTER DATA LOGGING VIA ARTISAN SOFTWARE

RECORD ROASTS VIA USB OR BLUETOOTH TO DUPLICATE PROFILES USING ARTISAN SOFTWARE.



ARTISAN SOFTWARE

Do your part to Keep Artisan Alive and Well.

Donate to Artisan Here:

<https://artisan-scope.org/donate/>

DO YOUR PART!

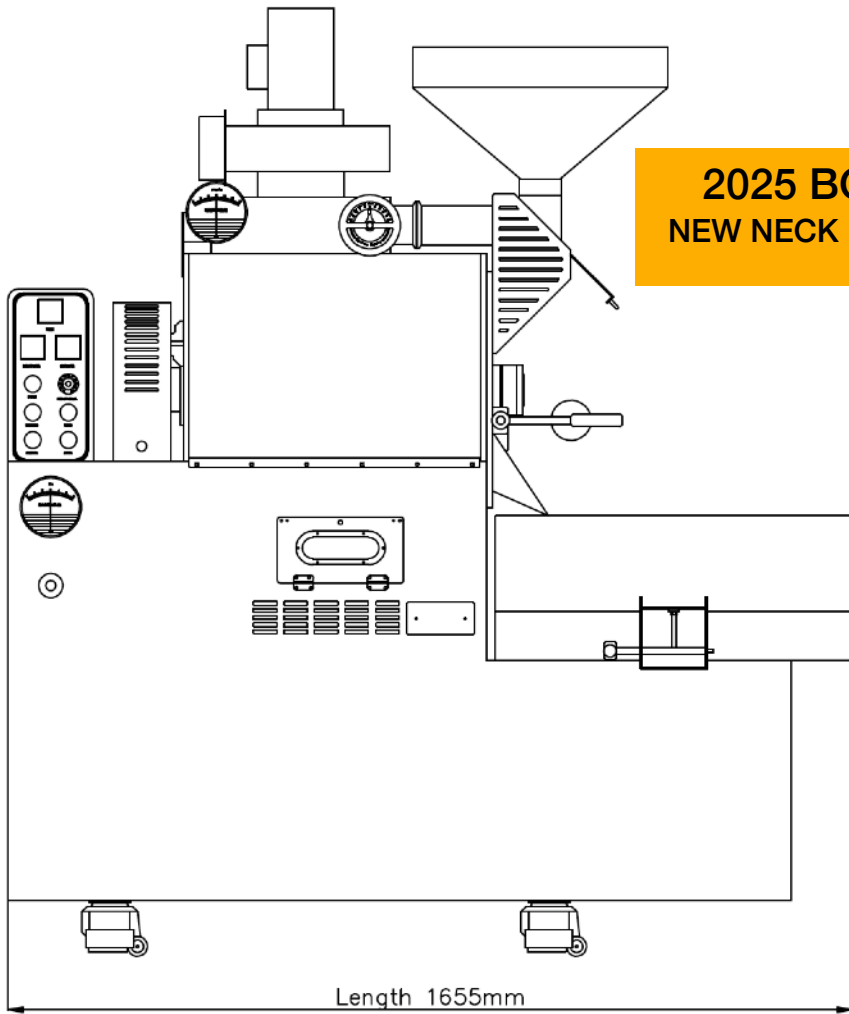
CONSIDER

ARTISAN PLUS

<https://shop.artisan.plus>

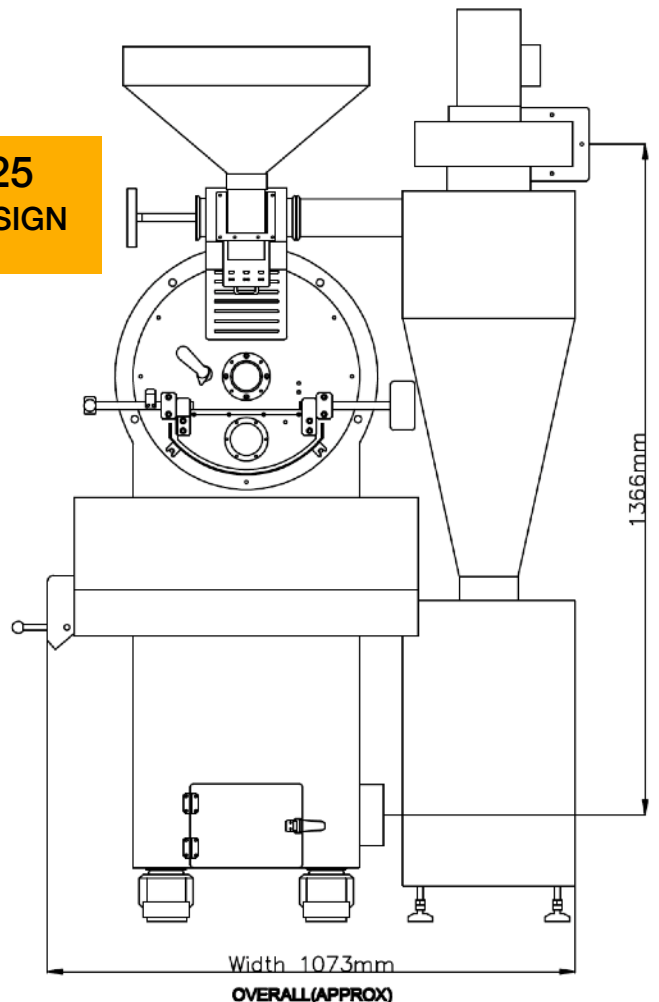


artisan+



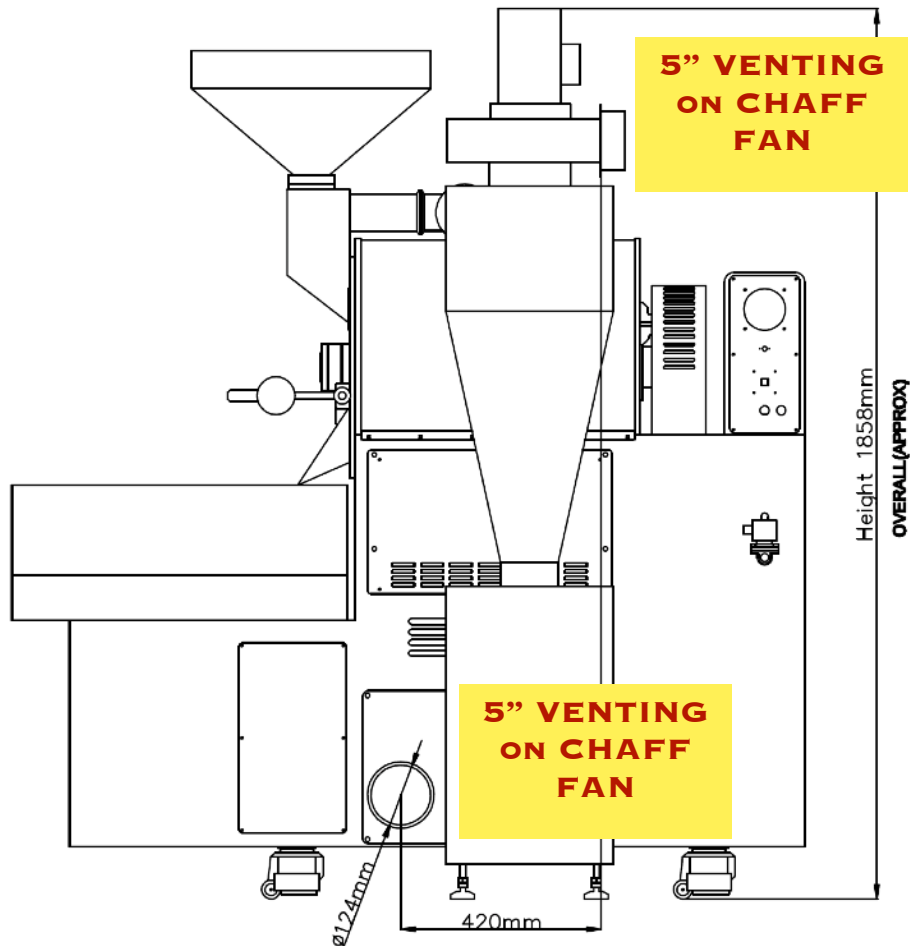
**2025 BC-25
NEW NECK DESIGN**

Length 1655mm
OVERALL(APPROX)



Width 1073mm
OVERALL(APPROX)

GENERAL MEASUREMENTS
1655x1073x1858mm
66x43x74in.
 Chaff Unit comes removed to get unit through a standard doorway



Height 1858mm
OVERALL(APPROX)

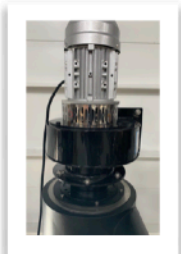
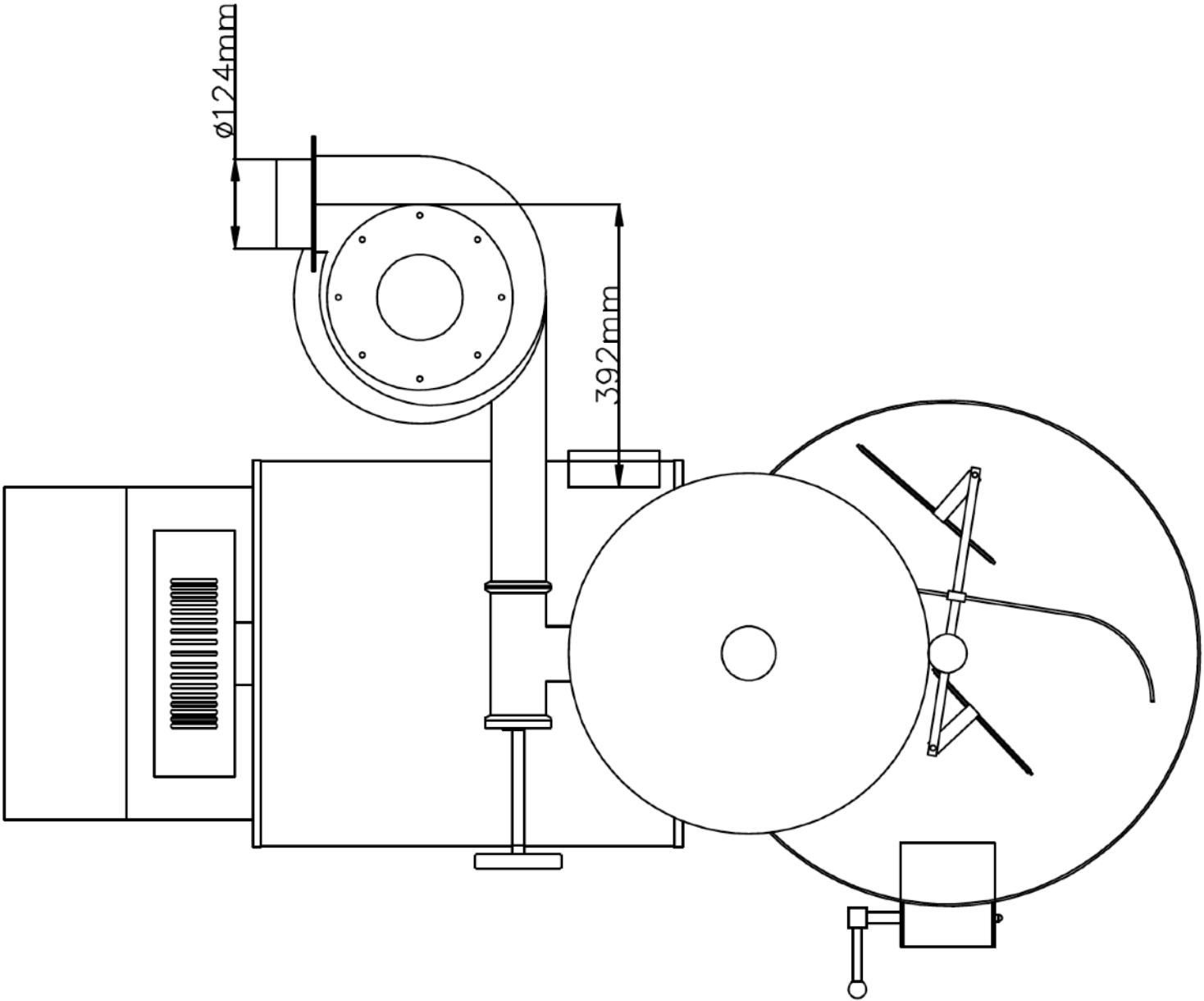
**5" VENTING
ON CHAFF
FAN**

**5" VENTING
ON CHAFF
FAN**

Ø124mm

420mm

**REQUIRED CLEARANCE FROM ALL
COMBUSTABLE SURFACES:
18-24" SPACE ON ALL SIDES**



**IN 2022 WE ADD HEAVY DUTY
CHAFF FANS & HD GAS GAUGES
TO HELP LOWER MAINTENANCE
& INCREASE PRODUCTION!**



COLOR CHOICES

BODY COLORS: BLACK, RED, PURPLE, WHITE

HOUSING COLORS & TEXTURES:

SOLID: ROSE GOLD, BLACK TITANIUM, STAINLESS, PURPLE

TEXTURED: CHECKERED GOLD, BLACK OR SILVER

PURPLE, SILVER OR ROSE GOLD RAINDROP

HAMMERED GOLD OR PURPLE

* REQUEST A COLOR CHART FOR HOUSING COLORS

BC-25 COMMERCIAL COFFEE ROASTER

- * FLOOR MODEL WITH HD CASTER WHEELS
- * DIRECT CONNECT CHAFF UNIT FOR SMALLER FOOTPRINT
- * CHOICE OF ALL ELECTRIC OR GAS MODELS

SIZE (LxWxH)

66x43x74"

WEIGHT

SHIPPING WEIGHT 1254LB

MINIMUM CLEARANCE FROM COMBUSTABLE MATERIALS

18-24"

ROASTING CAPACITY

5-25LB SINGLE WALL
2 TO 25LB DOUBLE WALL

ROAST TIME & ROASTS PER HOUR

9-14 MINUTES (5 ROASTS PER HOUR GAS. 3.5 PER HOUR ELECTRIC)

DRUM INFORMATION

SW DRUM: 5MM SUPERIOR 304SS CONTAINS 18% CHROMIUM AND 8% NICKEL
DW DRUM: HAS TWO LAYERS: ONE OF 3MM & ONE 2MM 304SS WITH 6MM OF AIR CUSHION. SS WELDING (11MM TOTAL THICKNESS ON DW)

ELECTRIC STATS:

GAS MODEL: SINGLE PHASE 220V 50/60HZ
1200W REQUIRES STANDARD 15A BREAKER

ELECTRICAL PLUG TYPE

GAS MODELS: 20A 250V 3 WIRE NEMA 6-20P

FUEL CHOICES ON GAS MODELS

LPG GAS STANDARD WITH MODELS. NATURAL GAS CONVERSION KITS OFFERED FOR CUSTOMER INSTALLATION ONLY.

BURNER INFORMATION ON GAS MODELS

SW & DW BURNERS: 32

BTU REQUIRMENTS

125,000 BTU MINIMUM REQUIRED FOR NG LINE

GAS PRESSURE

LPG: 12-16WC (3-4KPA) MARSHALL 1912/197 REGULATOR RECOMMENDED
NG: 7-14WC

EXHAUST SETUP	5" VENTING ON BOTH EXHAUSTS
EXHAUST PIPE REQUIREMENTS	POSITIVE PRESSURE EXHAUST VENTING WITH MINIMUM CLEARANCE 18-24" FROM COMBUSTABLE MATERIALS
MAXIMUM VENTING LENGTHS	20-25' FROM CHAFF UNIT. DEDUCT 3-5' FOR 45-90 DEGREE PIPE ELBOWS. IF YOU MUST VENT AT LONGER LENGTHS CONSULT A LOCAL TECHNICIAN ON USE OF POSSIBLE BOOSTER FANS
MAXIMUM EXHAUST TEMPERATURES	425-475F
CHAFF UNIT HIGH TEMP.	300-350F
COOLING TRAY HIGH TEMP.	200F
DATA LOGGING VIA ARTISAN OR CROPSTER	BUILT IN DATA LOGGER ATTACHES TO COMPUTER (PC OR MAC) VIA USB OR BLUETOOTH
K TYPE THERMOCOUPLES	BT & ET WITH TWO ADDITIONAL PREDRILLED CAPPED THREADED HOLES TO ADD OR ADJUST LOCATION OF PROBES
MANUFACTURED IN CHINA FOR BC ROASTERS	CUSTOM BUILT FOR BC SPECS IN USA AND OVER 200 LANDS

FOR MORE INFORMATION SEE:

BCROASTERS.COM

HTTP://WWW.BUCKEYECOFFEE.COM

**BC ROASTERS
BUCKEYE, ARIZONA 85326
TONOPAH, ARIZONA 85354**

**TOLL FREE: 844.522.6333
INFO@BUCKEYECOFFEE.COM**

*TYPOS ARE POSSIBLE AND WE REQUEST THAT YOU GET EXACT MEASUREMENTS IN PERSON. WE CANNOT BE HELD ACCOUNTABLE FOR ACCIDENTAL TYPOS