



DUO BLAST®300sV3Wet-Dry Abrasive Blasting System

Our largest capacity and most powerful unit designed specifically for industrial use

“THE BIG ONE”



Main Features

- Blasting pressure from 30-160Psi
- 300kg media capacity allowing over 2 1/2 - 3 hours of blasting
- Air and water filtration system
- Water level monitoring system
- Works wet or dry
- Safe & easy-to-use controls
- Stainless steel construction
- Fully contained, built-in water reserve

• WET BLAST • DRY BLAST • AIR WASH • WET WASH



All DUO BLAST® systems feature an ATEX certified stainless steel control panel with four blast selections. The user simply sets the toggles and the machine does all the hard work! Switch from wet to dry or visa-versa within seconds! Built-in E-Stop for maximum safety.



Easily adjust both water and grit flow at the machine's grit valve for optimum machine performance. With the DUO BLAST® water injection system (Patent-Pending) chances of slurry blockages are eliminated! Reducing downtime with maximum work rates, gets the job done!

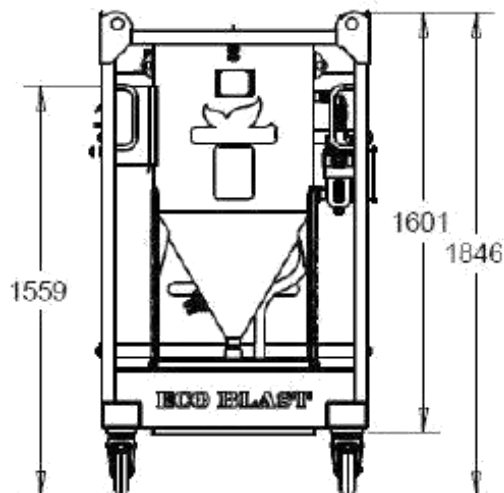
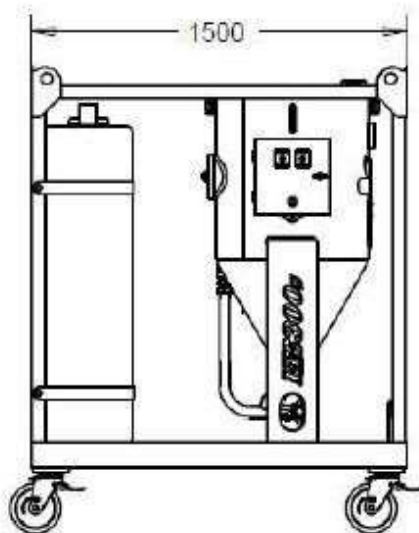


300sV3 Technical

Machine Specifications

- Weight: 320kg (dry)
- Abrasive Capacity: 300kg
- 12 bar rated vessel
- Water capacity: 400 Litres
- Water Consumption: 0.2-2 Lpm (Adjustable)
- Grit Consumption: 50-180kg P/Hr (Adjustable)
- Air requirement:

*150-500cfm



Parts Specifications

- High-flow filter regulator
- Water/air filtration system
- Hopper vibrator for fine medias
- Normally closed abrasive metering valve
- 10M of blast hose with sheathed lines
- Pot lid
- 3/8" Tungsten carbide venturi nozzle*
- Stainless crash frame, portable or suitable for deck mounting
- Castor mounted crash frame/swivel/braked
- Stainless steel control panel

Optional Extras:

- Blast hose extensions up to 300ft
- Breathing filter regulator
- Air-fed helmet
- 900cfm filter/regulator

All our products are backed up by a robust 2-year parts & labour warranty.

DUO-BLAST

DEALER STAMP HERE