

CR7
Owner's Manual

CR7

Snell

SPECIFICATIONS	CR7
Frequency Response (± 2 dB)	80Hz–20kHz, -6dB @ 60Hz
Recommended Amplifier Power	15–150 watts (above 80Hz)
Nominal Impedance	4 ohms
Sensitivity [1 watt (2.83v) at 1m]	86dB SPL
Tweeter (video-shielded)	1-inch (25mm) soft dome with neodymium magnet structure
Bass Unit (video-shielded)	4-inch (100mm) stamped steel basket. Copolymer cone, butyl rubber surround and long-throw design with vented spider.
Grille	Perforated steel (47% open), powder-coated paint, black or silver finish
Dimensions (HxWxD)	5.75 x 18 x 7.5" (146 x 457 x 190mm)
Weight	16 lbs (7.25kg)
Finish	Black powder-coated paint, black or silver endcaps

DESCRIPTION

The CR7 is a high-performance extruded aluminum D'Appolito Array for use wherever space is limited and in a wide variety of applications. The CR7 is a two-way design with a complex crossover for best sound quality. This two-way monitor uses a 1-inch soft dome tweeter and dual 4-inch bass units. All are video-shielded for placement near a TV. An extremely rigid and sturdy extruded aluminum enclosure contributes minimally to the CR7 sound. This speaker is an ideal choice for a compact center channel or as an LCR for main channel applications.

Grille Design

The grille is made of perforated metal with a high percentage of open areas to minimally affect high frequency performance.

Enclosure Shape

Besides exhibiting the distinctive styling of the Snell Series 7 product line, the enclosure uses careful design to maximize performance. The area surrounding the tweeter is smooth with minimal recesses to maintain a smooth and transparent high frequency response. We have made the enclosure as small as possible without compromising performance by extruding the cabinet from solid aluminum.

Hand-Tuned Crossover

Each crossover is individually tuned by production technicians to within ± 0.5 dB of the Master Reference, assuring predictable performance.

The CR7 is ideal for use as:

A compact center channel.

All channels of a surround system where space is limited.

The front stereo pair of a compact music system.

A multi-room extension speaker.

A wall-mounted surround of a larger home theater system.

An extension speaker in environments that need its weather-resistant characteristics.

Stereo Image

The distance between the speakers determines the width of the stereo image. If the speakers are placed too close together, the image will be too narrow; too far apart and the blend will suffer, creating a hole in the middle. When properly placed, your speakers will create a continuum of "virtual images" from left to right, with an illusion of sound outside, in front, and behind the speaker systems.

- *We recommend an angular separation between 45 and 60 degrees (when viewed from above). This is equivalent to a separation between the speaker systems that is about 85% to 100% of the distance to either of the speakers.*
- *Aim the center of the speaker to your ear level while listening in a seated position.*

Creation of sounds between the speakers requires precise placement. The distance from the left speaker to the listener location should equal the distance from the right speaker to the listener location. We advise using a tape measure to equalize these two distances to the primary listening position. The payoff will be well worth the time and effort.

Location Affects Bass Level

Close proximity to rigid wall, floor, and ceiling boundaries will accentuate the bass level, but may cause uneven bass. Experiment until you find the best overall sound for your room.

Choose a source with a heavy and continuous bass line, repeat a short section until you have a firm impression of it in your mind, and then try another speaker location.

Repeat this process until you are content with the bass response you are getting. Moving your listening position may affect the sound as much as moving the speakers. Try different listener locations as well as speaker locations.

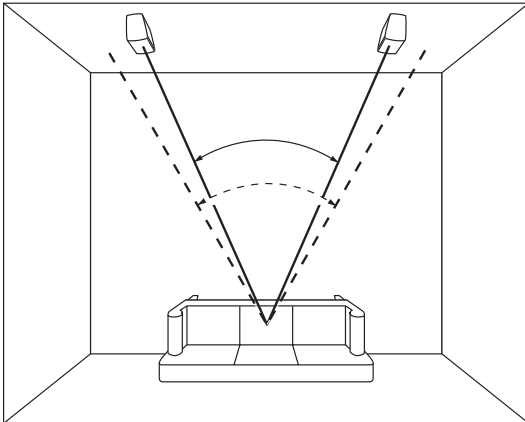
Try the speakers at the intended location before permanent mounting.

Moving speakers nearer to a wall increases bass level.

Moving speakers toward a corner will increase bass level even more.

Bass response is smoother if you keep the distance from the back wall and the distance from the side wall different.

The CR7 was designed to have the optimum balance when close to one boundary surface.



HOW TO MOUNT YOUR CR7

Bookshelf Mounting/TV Top

For shelf mounting, use the enclosed rubber feet to the bottom of the speaker in the horizontal orientation. Mount the feet by peeling back the paper covering over the self-adhesive pads. Make sure that the area for attachment is clean and dry.

Bracket Mounting

Vertical Mounting to Wall (as an LCR):

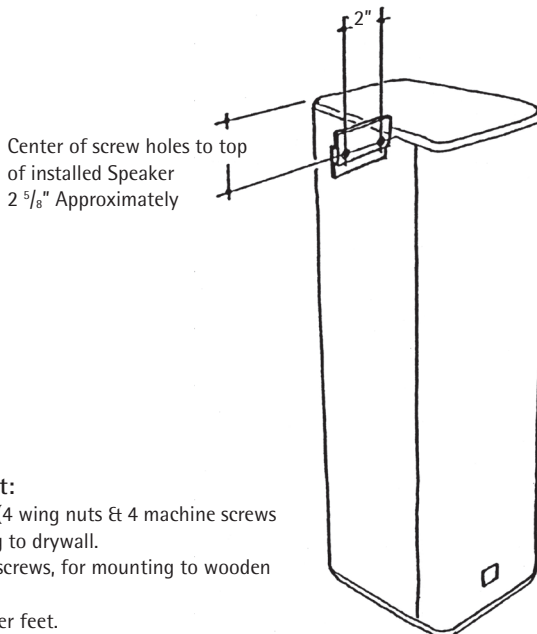
The CR7 loudspeaker includes a versatile wall mounting bracket.

1. Attach & level loose bracket to wall using appropriate hardware supplied,
2. Attach speaker wires to speaker terminals in the back of the speaker.
3. Line-up bracket to speaker back groove so that the two brackets interlock.

The bracket slots into the back of the CR7 to preserve its appearance.

Note: Use the four toggle bolts supplied for mounting to plaster board. Any smaller inserts will not be sufficient to hold its weight.

1. Mount the bracket to the wall first and then mount the speaker to the bracket.
2. Mark the location for drilling through the bracket's mounting holes. Then drill four $\frac{7}{16}$ -inch diameter holes.
3. Insert the bolts through the bracket and start the toggle bolts onto the threads.



Vertical Wall Mounted

Hardware List:

- 4 Toggle bolts (4 wing nuts & 4 machine screws for mounting to drywall.
- 4 Sheet metal screws, for mounting to wooden frame.
- 4 Molded rubber feet.
- 1 Loose bracket.

HOW TO MOUNT YOUR CR7 (continued)

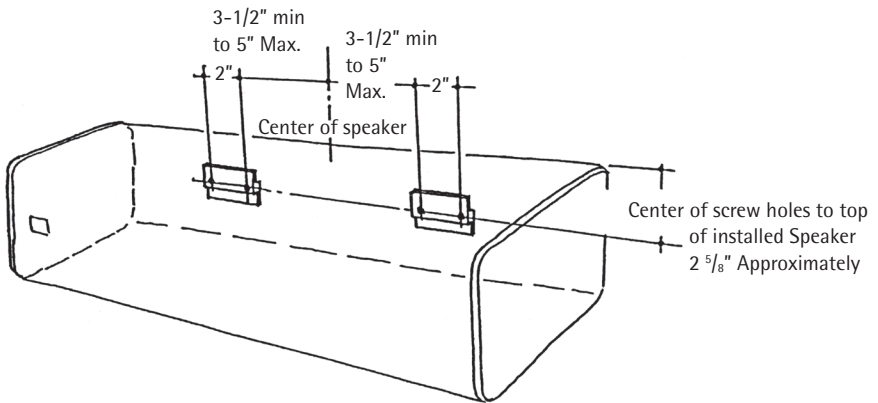
Bracket Mounting

Horizontal Mounting to Wall (as an center channel):

1. Remove factory mounted bracket off from back of speaker,
2. Block the cabinet two holes with the bracket screws.
3. Attach & level both brackets to wall using appropriate hardware supplied.
4. Attach speaker wires to speaker terminals in the back of the speaker.
5. Hang the speaker on the installed brackets.

Note: Use the four toggle bolts supplied for mounting to plaster board. Any smaller inserts will not be sufficient to hold its weight.

1. Mount the bracket to the wall first and then mount the speaker to the bracket.
2. Mark the location for drilling through the bracket's mounting holes. Then drill four $\frac{7}{16}$ -inch diameter holes.
3. Insert the bolts through the bracket and start the toggle bolts onto the threads.



Horizontally Wall Mounted

CONNECTING THE SPEAKERS

Connecting to a Surround Processor

When using a powered subwoofer:

Select the *SMALL* or *NORMAL* setting on your receiver or processor for your main and center channels. This routes all bass information (typically below 120Hz) to your subwoofer.

When not using a powered subwoofer:

Select the *LARGE* setting on your receiver or processor for your main speakers. This routes all bass information (typically below 120Hz) to your main speakers.

Match the sound levels of each speaker:

Your home theater system most likely includes a test signal that simplifies level matching. Refer to the instructions provided with these electronics.

Choosing Cable

We recommend 16-gauge cable or thicker for runs up to 25 feet (8m) and 12-gauge wire or thicker for longer runs.

Connecting with bare wire:

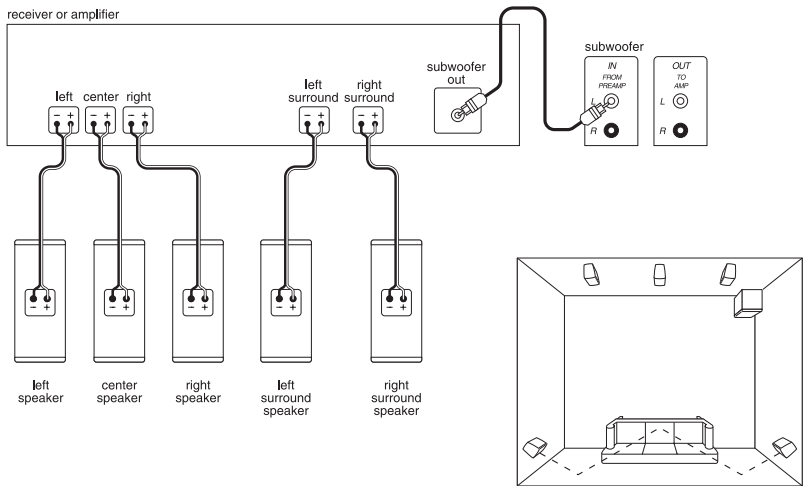
Insert bare wire into holes and tighten.

Connecting with banana plugs, spade lugs, or pins:

The binding posts accept standard banana plugs and pins, and can accommodate spade lugs up to 1/4 inch.

Basic Connections

When making connections, be sure to connect + to + (red) and - to - (black).



HOW TO CARE FOR YOUR SPEAKERS

Use a soft terry cloth towel slightly dampened with water or a mild detergent. The towel should be just damp enough to wipe the surface clean without leaving a trail of moisture.

Do not use abrasive cleaners or any cleaner containing chemicals harsher than those found in glass cleaner.

LISTENING LEVELS AND POWER HANDLING

The power recommendation for the system assumes you will operate the amplifier in a way that will not produce distortion. All speakers can be damaged by a modest amplifier if it is producing distortion. If you hear a gritty noise or other signs of strain, turn down the volume.

Prolonged or repeated operation of your speakers with a distorted signal can cause damage that is not covered by the warranty. Especially important with smaller speakers is that you do not overdrive their bass capability.

Watch for noises such as pops caused by the music's bass line. Use of the loudness control and/or full bass boost at louder volumes is likely to overdrive the woofer. Use such controls sparingly.

LIMITED WARRANTY

For five years from the date of purchase, Snell Acoustics will repair for the original owner any defect in materials or workmanship that occurs in normal use of the speaker system, without charge for parts and labor.

Your responsibilities are to use the product according to the instructions supplied, to provide safe and secure transportation to an authorized Snell Acoustics service representative, and to present proof of purchase from an authorized Snell dealer in the form of your sales slip when requesting service.

Excluded from this warranty is damage that results from abuse, misuse, accidents, shipping, repairs, or modifications by anyone other than an authorized Snell Acoustics service representative. This warranty is void if the serial number has been removed or defaced.

This warranty gives you specific legal rights, and you may also have other rights that vary from state to state.

If Service Seems Necessary:

Contact the dealer from whom you purchased the speaker system. If that is not possible, call us at 978-538-6262, or write to:

Snell Acoustics
300 Jubilee Drive, PO Box 3717
Peabody, MA 01961-3717

We will promptly advise you of what action to take. If it is necessary to return your speaker system to the factory, please ship it prepaid. After it has been repaired, we will return it freight-prepaid in the U.S. or Canada.

©2007 Snell Acoustics. All Rights Reserved. Specifications
are subject to change without notice. Covered by patents
issued and/or pending.
Part #542-1032

Snell

300 Jubilee Drive
Peabody, MA 01960
phone: 978-538-6262
fax: 978-538-6266
email: info@snellacoustics.com
www.snellacoustics.com