

# WICKETTS STAINLESS

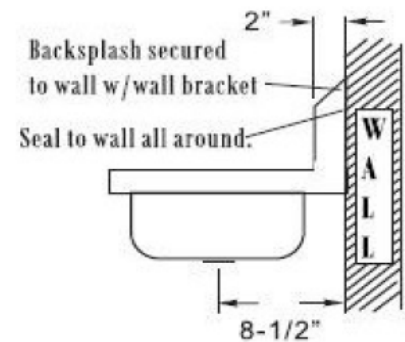
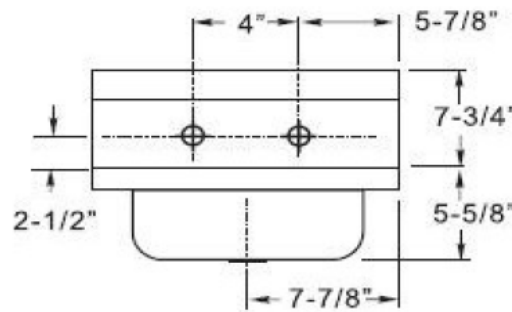
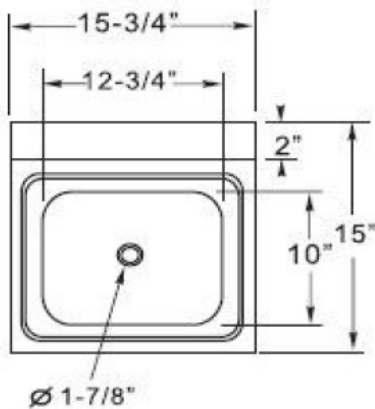
Stainless Steel Hand Sink  
WHS 1615-WG-WB LEAD FREE

## SPECIFICATION



### Type 304 Stainless Steel

- \*Special polished satin finish.
- \*304 stainless steel, 20 gauge.
- \*Faucet & strainer included.



Product #	Description
WHS 1615-WG-WB	16 x 15 Wall Mount Hand Sink With Lead Free Faucet

Conforms to ASME A112.19.3

Wicketts Stainless, LLC.  
2618 San Miguel Dr. Bldg. #376  
Newport Beach, CA 92660  
Tel: 951-858-2548  
Fax: 951-638-9059  
Sales@wickettsstainless.com



Approved for Manufacturing  
Company: \_\_\_\_\_  
Signature: \_\_\_\_\_  
Print: \_\_\_\_\_ Date: \_\_\_/\_\_\_/\_\_\_