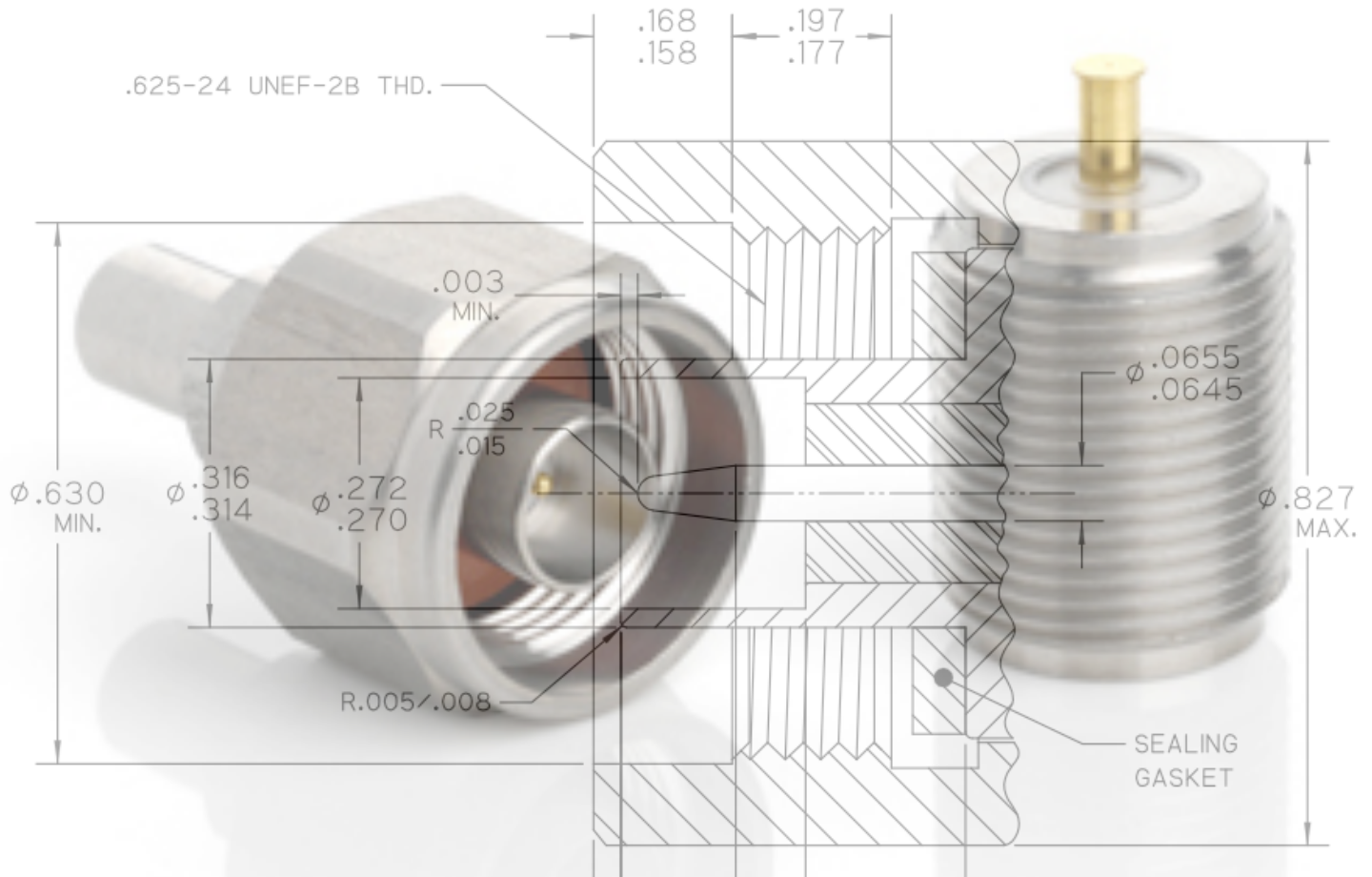


Type-N

Precision 18GHz

Connectors





Type-N Precision Connectors

DESCRIPTION

Precision N connectors are 50 ohm connectors designed to perform through 18GHz. The ConductRF Type N connector interface utilizes an air dielectric and PTFE (Teflon) support dielectric beyond the interface region and some options employ a single precision (7mm) support bead. ConductRF offers Precision Type-N connectors for semi-rigid and low loss flexible cable, receptacles and precision adapters which may be adapted for custom applications.

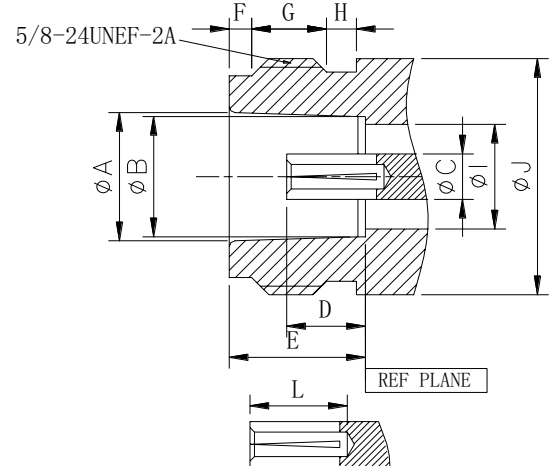
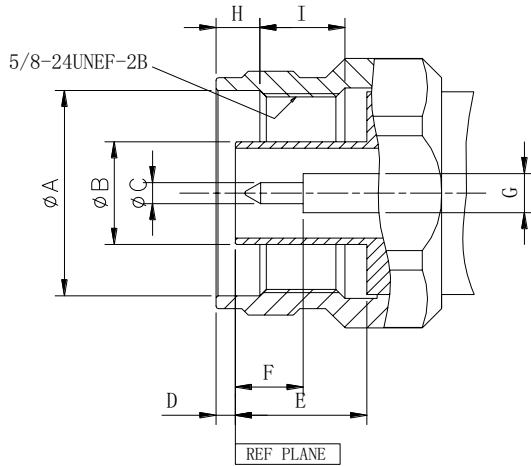
Type-N DESIGN FEATURES

- Excellent performance up to 18GHz(Precision)
- Low VSWR and Insertion loss
- Rugged stainless steel construction
- Compatible with standard Type-N connector series

CONTENTS

1. Description
2. Interface Details
3. Technical Data
4. Cable Configurations
5. Adapter Configurations
6. Receptacles that Accept Pins
8. Receptacles with Extended Body
10. Receptacles with Tab Contacts

PRECISION N INTERFACE



N Type Male				
	mm		Inch	
	Min	Max	Min	Max
A	16.00	—	0.630	—
B	7.98	8.04	0.3140	0.3165
C	1.64	1.67	0.0644	0.0656
D	0.28	1.30	0.011	0.051
E	9.19	9.45	0.362	0.372
F	5.28	5.36	0.208	0.211
G	3.03	3.05	0.1194	0.120
H	4.01	4.27	0.158	0.168
I	4.50	5.00	0.177	0.197

N Type Female				
	mm		Inch	
	Min	Max	Min	Max
A	8.53	8.74	0.336	0.344
B	8.05	8.10	0.317	0.319
C	3.03	3.05	0.1194	0.120
D	5.18	5.26	0.204	0.207
E	9.07	9.17	0.357	0.361
F	1.19	1.96	0.047	0.077
G	4.57	5.59	0.180	0.220
H	1.02	1.52	0.040	0.060
I	6.99	7.01	0.2753	0.2759
J	9.40	—	0.370	—
K	—	15.93	—	0.627

Interface dimensions conformable to the standards: MIL-STD-348A

TECHNICAL DATA



ELECTRICAL DATA	
Impedance	50 Ohm
Frequency range	DC — 18GHz
Dielectric withstanding voltage	1500V
Insulation resistance	≥ 5000 MΩ
Contact resistance	inner contact ≤ 1 mΩ outer contact ≤ 0.2 mΩ
VSWR max.	1.15 : 1

MECHANICAL DATA	
Base material	
Center Contact	Copper Beryllium Alloy, Gold-pated
Body	Stainless Steel, Passivated
Insulator	PEI, PTFE
Durability(matings)	≥ 500

ENVIRONMENTAL	
Temperature Range	-55 °C to + 165 °C
Thermal shock	MIL-STD-202, Method 107, Condition B
Corrosion	Saltspray test acc.to MIL-STD-202, Method 101, Condition B
Vibration	MIL-STD-202, Method 204, Condition D

DESCRIPTION

CONDUCTRF

Precision Type-N Straight Jacks

N JACK, SOLDER CLAMP FOR .085-LL SEMI-RIGID CABLE (ARMORED)	PNF11A-A28S01
N BULKHEAD JACK, SOLDER CLAMP FOR HARBOUR LL335 CABLE	PNF11A-A84S01
N BULKHEAD JACK, SOLDER CLAMP FOR HARBOUR LL142 CABLE	PNF31A-A74S01
N JACK, 4-HOLE FLANGE, SOLDER CLAMP FOR RG-402 CABLE	PNF41A-A29S01

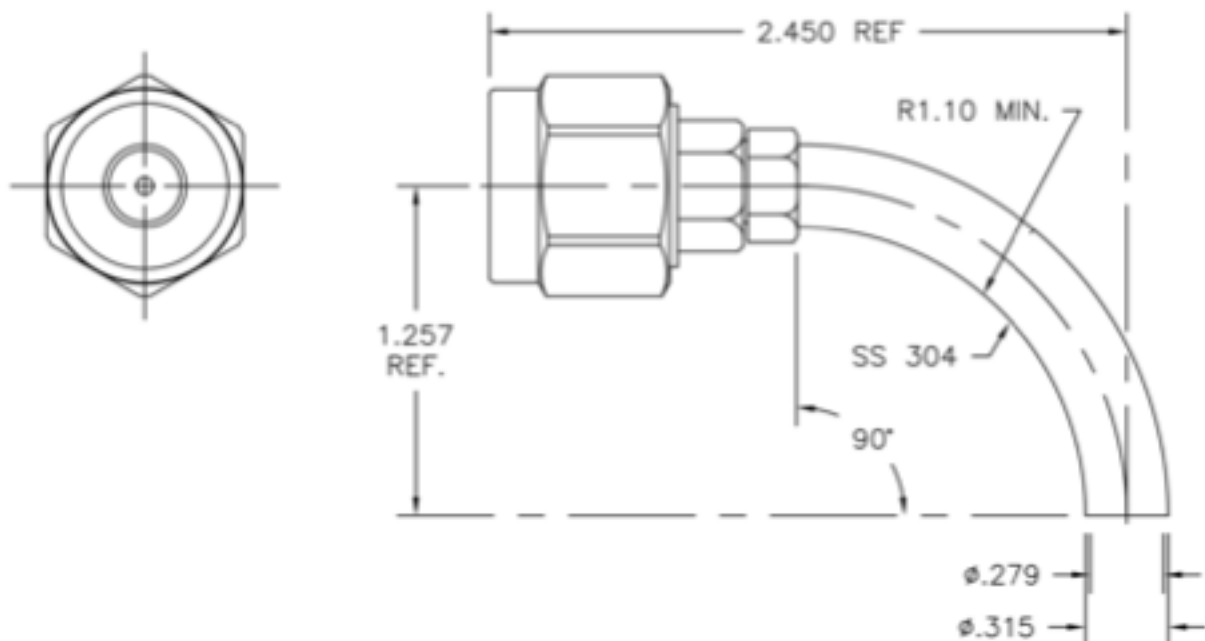
Precision Type-N Straights Plugs

N PLUG, SOLDER CLAMP FOR .085-LL SEMI-RIGID CABLE (ARMORED)	PNM11A-A28S01
N PLUG, SOLDER CLAMP FOR HARBOUR SS402 CABLE	PNM11A-A29S01
N PLUG, SOLDER CLAMP FOR DYNAWAVE DF150 CABLE	PNM11A-A72S01
N PLUG, SOLDER CLAMP FOR HARBOUR LL142 CABLE	PNM11A-A74S01
N PLUG, SOLDER CLAMP FOR HARBOUR LL120 CABLE	PNM11A-A75S01
N PLUG, SOLDER CLAMP FOR SEMFLEX HP120 CABLE	PNM11A-A76S01
N PLUG, SOLDER CLAMP FOR TIMES SF142B CABLE	PNM11A-A80S01
N PLUG, SOLDER CLAMP FOR HARBOUR LL335 CABLE	PNM11A-A84S01
N PLUG, SOLDER CLAMP FOR HARBOUR LL142 CABLE (VENTED)	PNM11B-A74S01
N PLUG, SOLDER CLAMP FOR HARBOUR LL335i CABLE	PNM12A-A84S01
N PLUG, SOLDER CLAMP FOR CONDUCTRF A79UV	PNM11A-A79S01

Precision Type-N RT. Angle Plugs

N PLUG SWEPT 90DEG FOR CONDUCTRF A79UV	PNM21A-A79S01
N RT. ANGLE PLUG, SOLDER CLAMP FOR HARBOUR LL335 CABLE	PNM21A-A84S01
N RT. ANGLE PLUG, SOLDER CLAMP FOR HARBOUR LL142 CABLE	PNM21B-A74S01

Drawings available on Request



Adapter Configurations

DESCRIPTION

Precision Type-N Between Series Adapters

- N JACK to 3.5mm PLUG ADAPTER
- N JACK to SMA JACK, BULKHEAD ADAPTER
- N JACK TO SMA JACK, 4-HOLE FLANGE ADAPTER
- N PLUG to SMA JACK ADAPTER
- 3.5mm JACK TO N JACK ADAPTER 18GHZ-1PC BODY
- 3.5mm JACK TO N PLUG ADAPTER 18GHZ-1PC BODY
- 3.5mm PLUG TO N PLUG ADAPTER 18GHZ-1PC BODY
- 3.5mm PLUG TO N JACK ADAPTER 18GHZ-1PC BODY

Precision Type-N In-Series Adapters

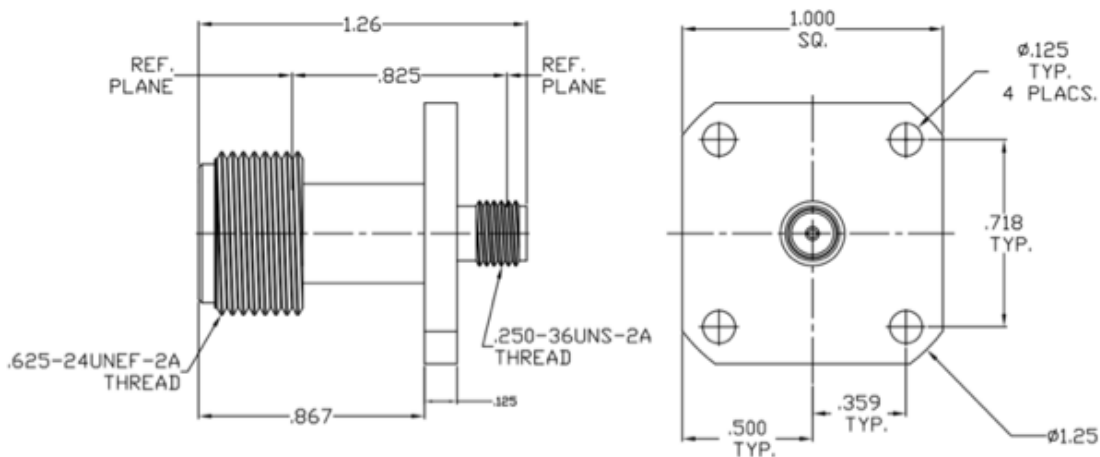
- N PLUG TO N PLUG
- N JACK TO N JACK
- N PLUG TO N JACK
- N BULKHEAD JACK TO N JACK

Drawings available on Request

CONDUCTRF

- BA-PEM-PNF-50
- BA-PNF-PS3-50
- BA-PNF-PS4-50
- BA-PNM-PSF-50
- BA-PEF-PNF-50A
- BA-PEF-PNM-50A
- BA-PEM-PNM-50A
- BA-PEM-PNF-50A

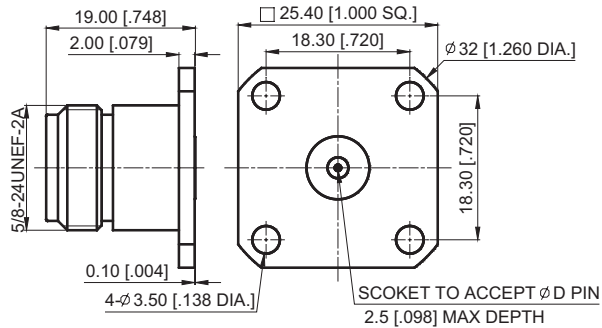
- PNM11A-ADPS01
- PNF11A-ADPS01
- PNA11A-ADPS01
- PNF31A-ADPS01



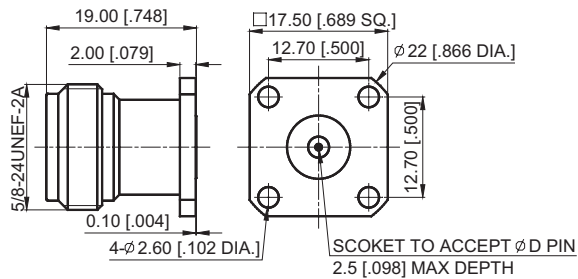
RECEPTACLES THAT ACCEPTS PIN

Receptacles, jacks (female), Flange Mount

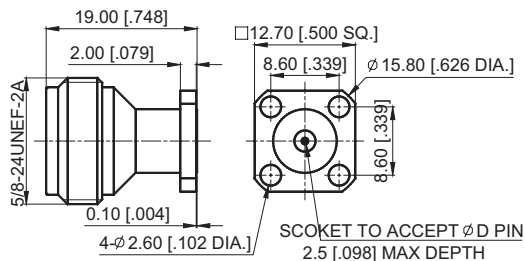
Part Number	∅ D PIN
PNF41B-4HLS01	0.46 [.018]
PNF42B-4HLS01	0.51 [.020]
PNF43B-4HLS01	0.91 [.036]



Part Number	∅ D PIN
PNF41C-4HLS01	0.46 [.018]
PNF42C-4HLS01	0.51 [.020]
PNF43C-4HLS01	0.91 [.036]



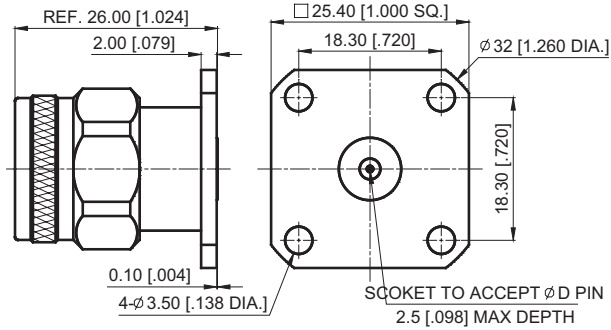
Part Number	∅ D PIN
PNF41D-4HLS01	0.46 [.018]
PNF42D-4HLS01	0.51 [.020]
PNF43D04HLS01	0.91 [.036]



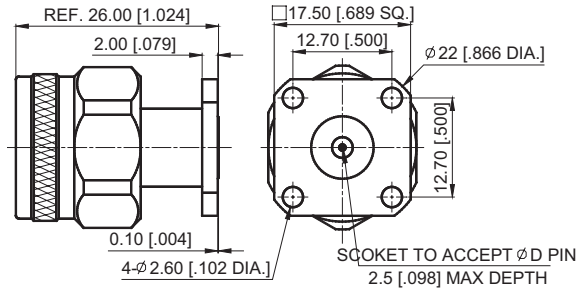
RECEPTACLES THAT ACCEPTS PIN

Receptacles, plugs (male), Flange Mount

Part Number	∅ D PIN
PNM41A-4HLS01	0.46 [.018]
PNM42A-4HLS01	0.51 [.020]
PNM43A-4HLS01	0.91 [.036]



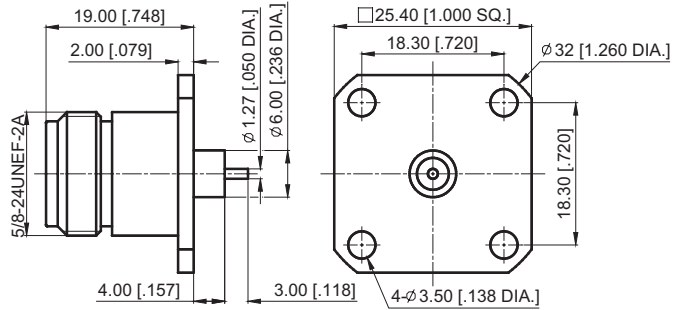
Part Number	∅ D PIN
PNM41B-4HLS01	0.46 [.018]
PNM42B-4HLS01	0.51 [.020]
PNM43B-4HLS01	0.91 [.036]



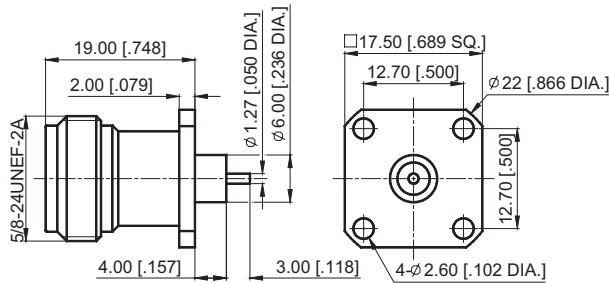
RECEPTACLES, METAL THROUGH THE WALL

Receptacles, jacks (female), Flange Mount

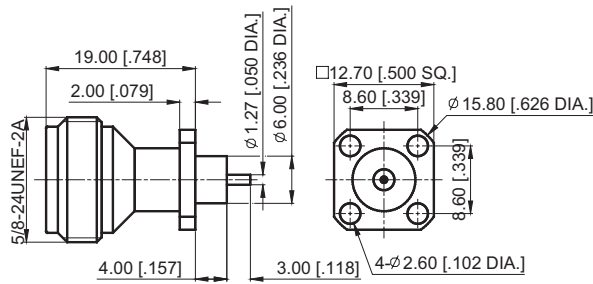
Part Number
PNF41E-4HLS01



Part Number
PNF41F-4HLS01



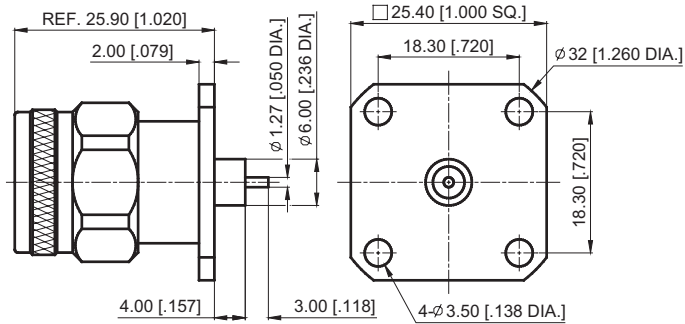
Part Number
PNF41H-4HLS01



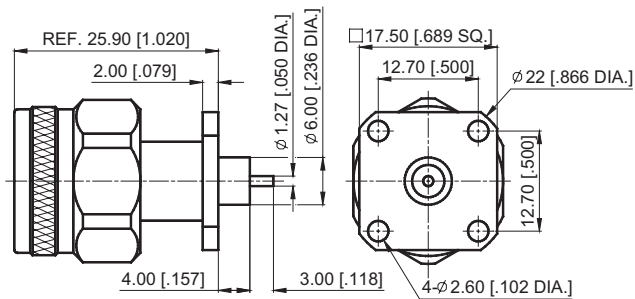
RECEPTACLES, METAL THROUGH THE WALL

Receptacles, plugs (male), Flange Mount

Part Number
PNM41C-4HLS01



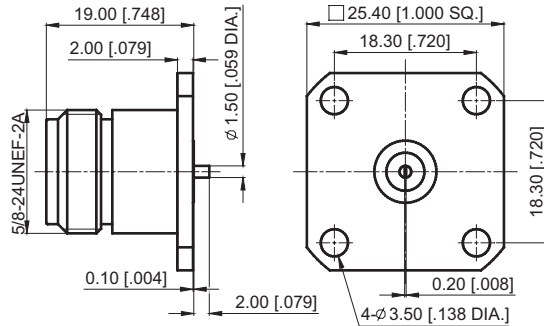
Part Number
PNM41D-4HLS01



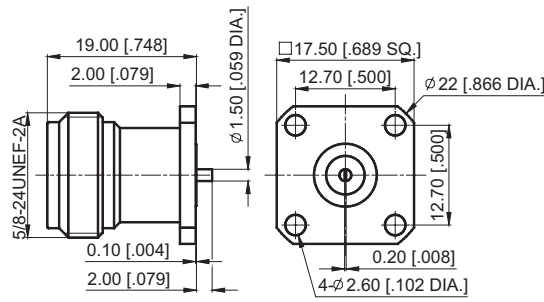
RECEPTACLES WITH TAB

Receptacles, jacks (female), Flange Mount

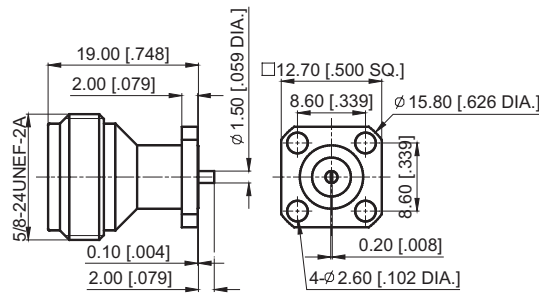
Part Number
PNF41J-4HLS01



Part Number
PNF41K-4HLS01



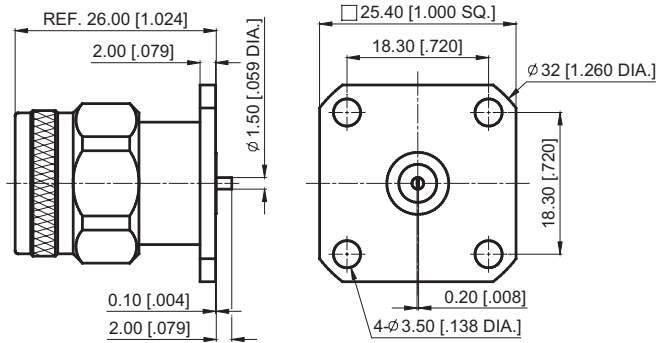
Part Number
PNF41L-4HLS01



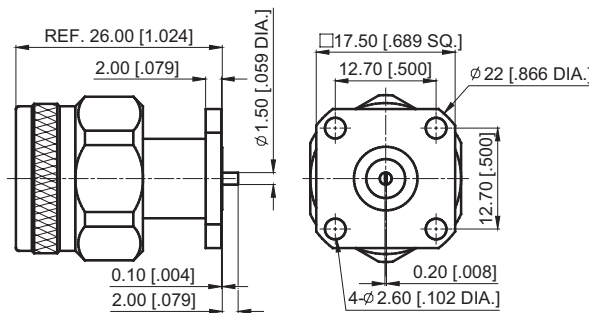
RECEPTACLES WITH TAB

Receptacles, plugs (male), Flange Mount

Part Number
PNM41E-4HLS01



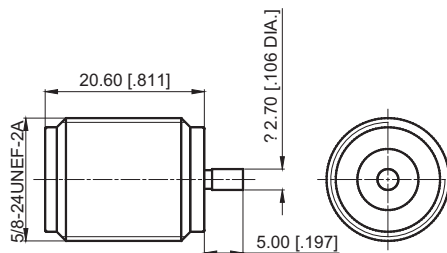
Part Number
PNM41F-4HLS01



RECEPTACLES, BULKHEAD THREAD IN

Receptacles, jacks (female)

Part Number
PNF11A-RECS01



www.ConductRF.com

126 Merrimack Street
Methuen, MA 01844

Tel +1 978 374 6840
eMail: sales@ConductRF.com

