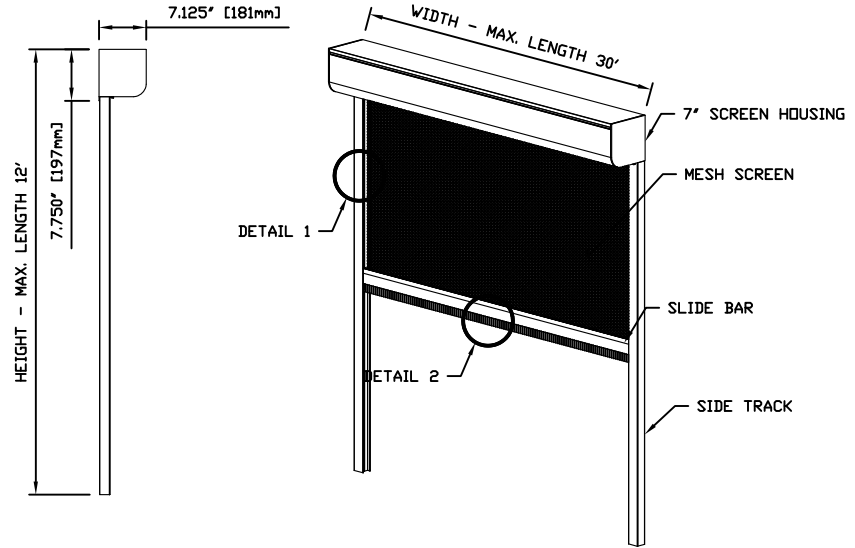
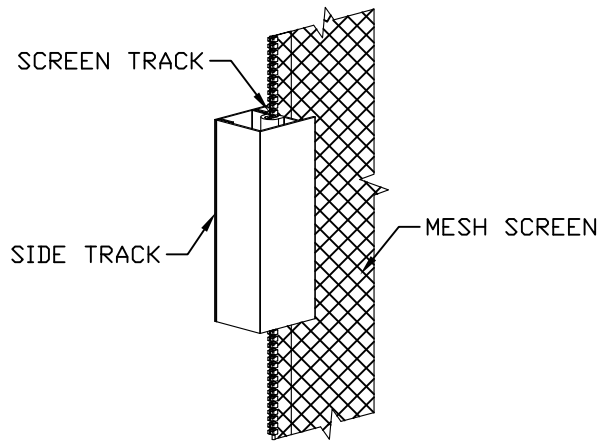


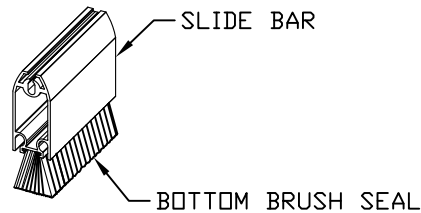
5 1/2" STANDARD SCREEN ASSEMBLY
SCALE: 3/8" = 1'-0"



7" ALTERNATIVE HOUSING SCREEN ASSEMBLY
SCALE: 3/8" = 1'-0"



DETAIL 1
SCALE: 3" = 1'-0"



DETAIL 2
SCALE: 3" = 1'-0"

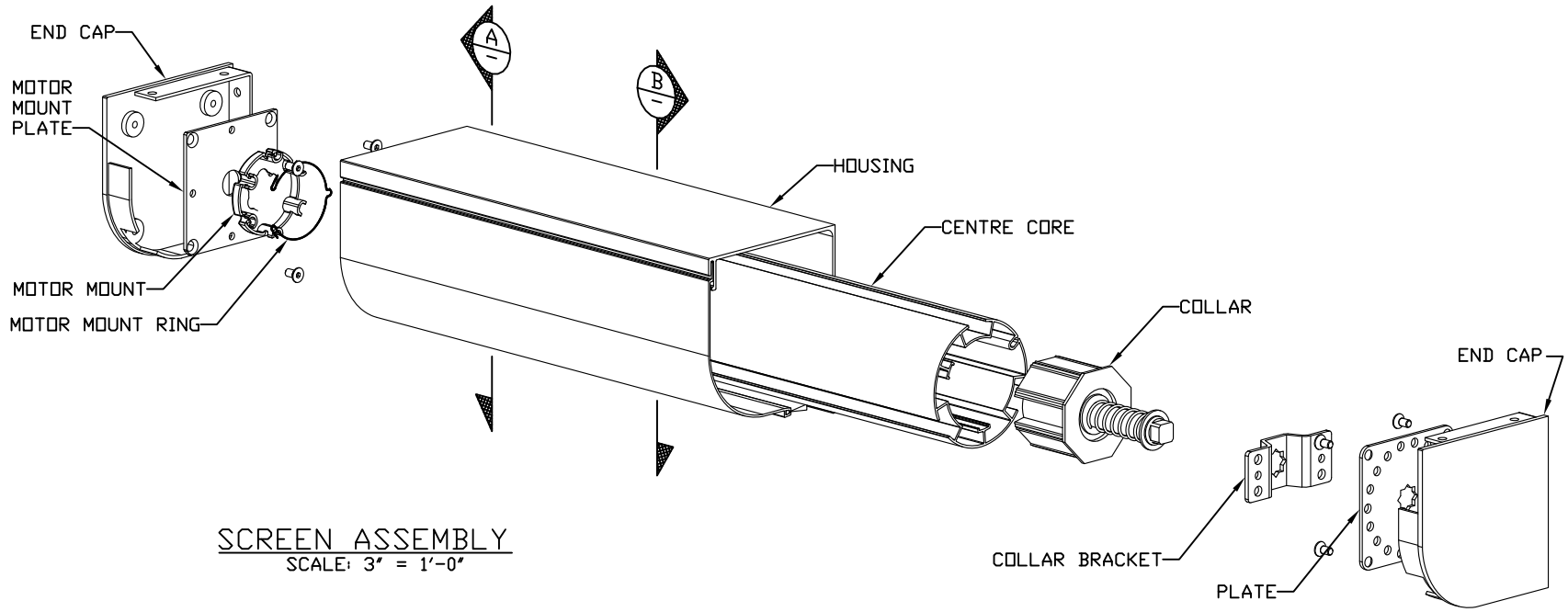


Quality Wholesale Window Coverings
Contract • Hospitality • Healthcare • Residential

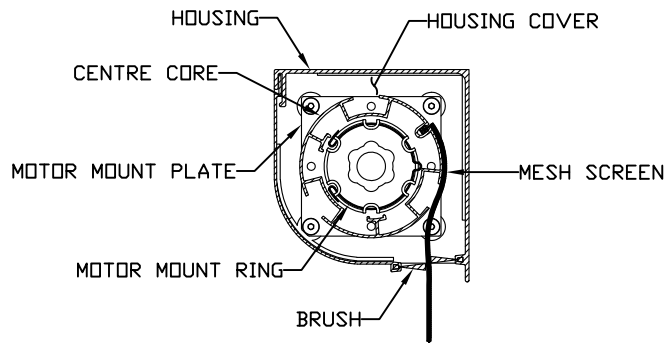
PH: 866-753-1113 FX: 203-597-8828

email: customerservice@porterpreston.com www.porterpreston.com

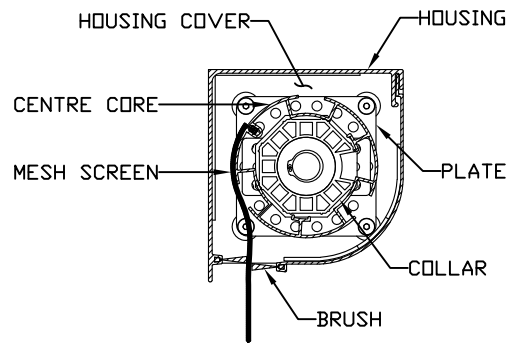
A-01	
SCALE: N.T.S.	DATE:
HEADER INSTALLATION	
DRAWN BY:	© 2019 SUNPRO MOTORIZED AWNINGS & SCREENS
Date	By
Revision	Rev.



SCREEN ASSEMBLY
SCALE: 3" = 1'-0"



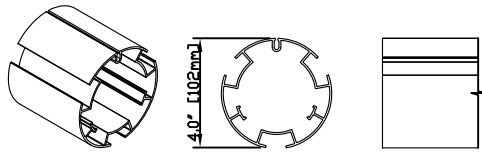
SECTION VIEW A
SCALE: 3" = 1'-0"



SECTION VIEW B
SCALE: 3" = 1'-0"

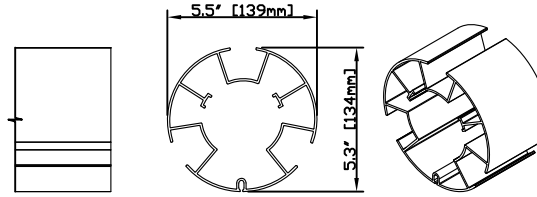
<p>A-02</p>		<p>DATE:</p>	
		<p>SCALE: N.T.S.</p>	<p>HEADER INSTALLATION</p>
<p>Rev.</p>	<p>By</p>	<p>Date</p>	<p>Drawn By:</p>
<p>Revision</p>	<p> </p>	<p> </p>	<p>© 2019 SUNPRO MOTORIZED AWNINGS & SCREENS</p>
<p> </p>	<p> </p>	<p> </p>	<p> </p>
<p> </p>	<p> </p>	<p> </p>	<p> </p>
<p> </p>	<p> </p>	<p> </p>	<p> </p>





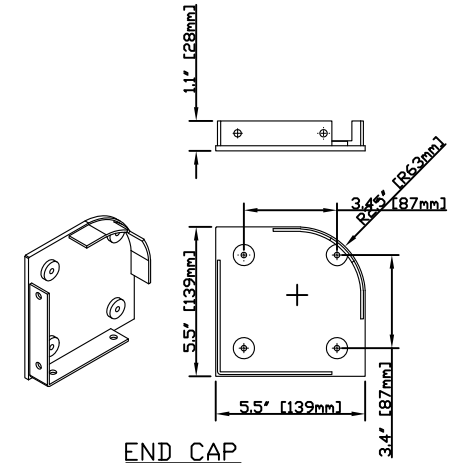
4" STANDARD CENTRE CORE

SCALE: 3" = 1'-0"
WEIGHT: 1.8 lb/ft



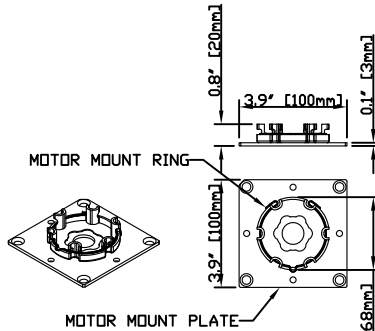
5 1/2" OPTIONAL CENTRE CORE

SCALE: 3" = 1'-0"
WEIGHT: 2.8 lb/ft



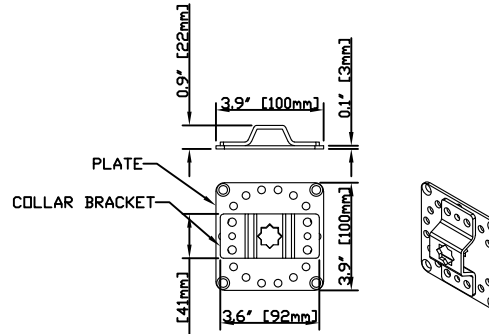
END CAP

SCALE: 3" = 1'-0"
WEIGHT: 0.75 lb



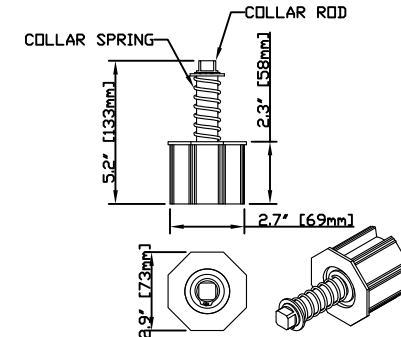
MOTOR MOUNT

SCALE: 3" = 1'-0"
WEIGHT: 0.63 lb



COLLAR BRACKET

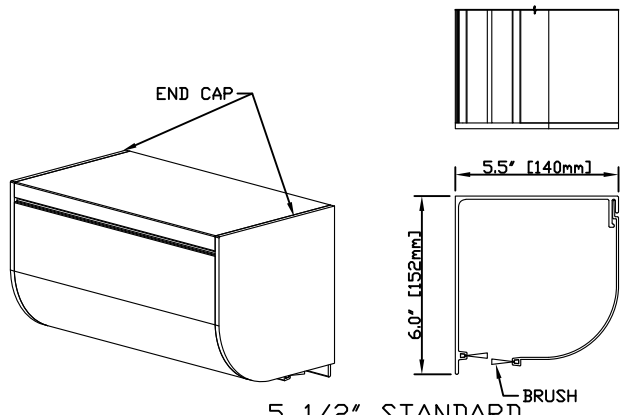
SCALE: 3" = 1'-0"
WEIGHT: 0.75 lb



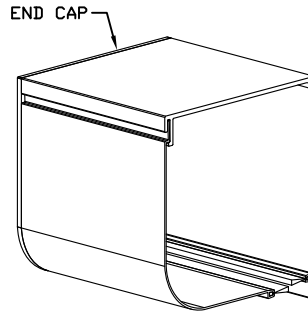
COLLAR

SCALE: 3" = 1'-0"
WEIGHT: 1.25 lb

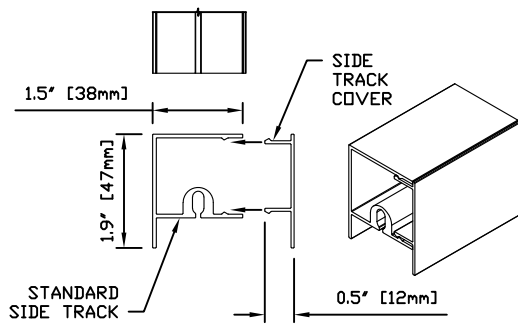
Rev.	Revision			DATE:	SCALE: N.T.S.	A-03
	Date	By	Drawn By:			
© 2019 SUNPRO MOTORIZED AWNINGS & SCREENS				HEADER INSTALLATION		



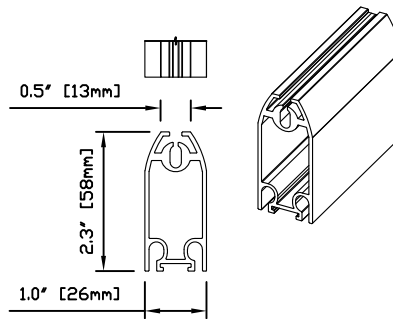
5 1/2" STANDARD HOUSING
 SCALE: 3" = 1'-0"
 WEIGHT: 2 lb/ft



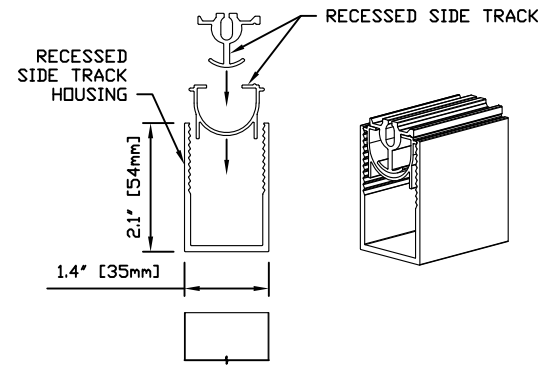
7" ALTERNATIVE HOUSING
 SCALE: 3" = 1'-0"
 WEIGHT: 4.25 lb/ft



SIDE TRACK
 SCALE: 6" = 1'-0"
 WEIGHT: 0.32 lb/ft



SLIDE BAR
 SCALE: 6" = 1'-0"
 WEIGHT: 0.75 lb/ft



RECESSED TRACK
 SCALE: 6" = 1'-0"
 WEIGHT: 0.71 lb/ft

		Rev.	Revision	By	Date	Drawn By:	Scale: N.T.S.	Date:	HEADER INSTALLATION	A-04