

Leverage Discovery

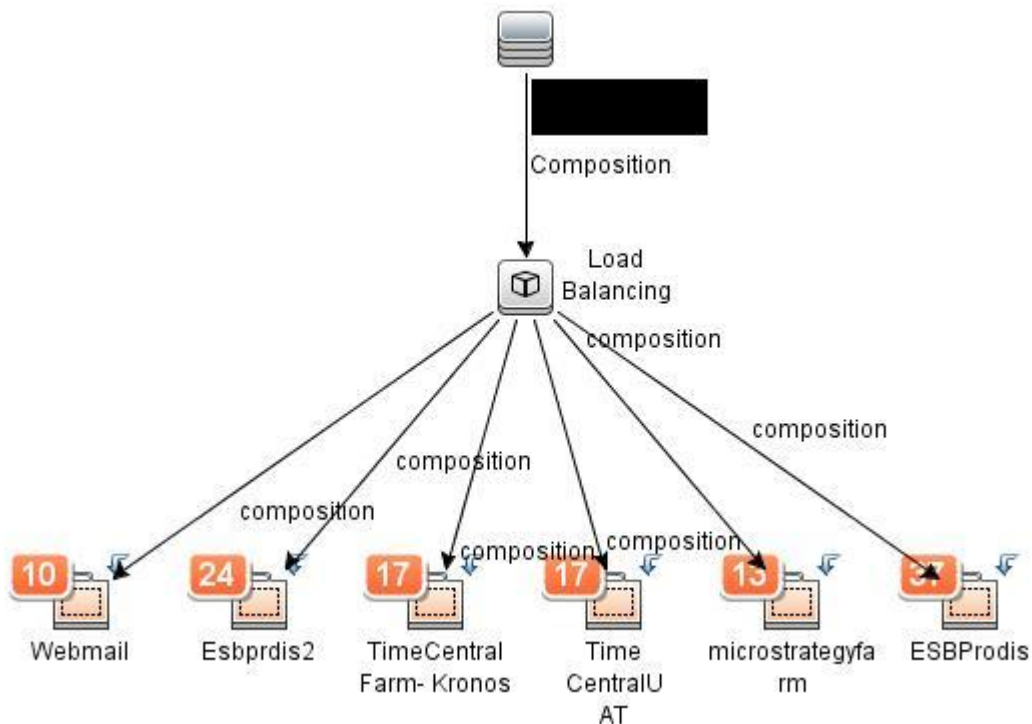
Package: Radware AppDirector

“AppDirector uses advanced Layer 4-7 policies and granular application intelligence for end-to-end business-smart networking. AppDirector aligns server infrastructure operations with application front end requirements to eliminate traffic surges, server bottlenecks, connectivity disconnects, and downtime”

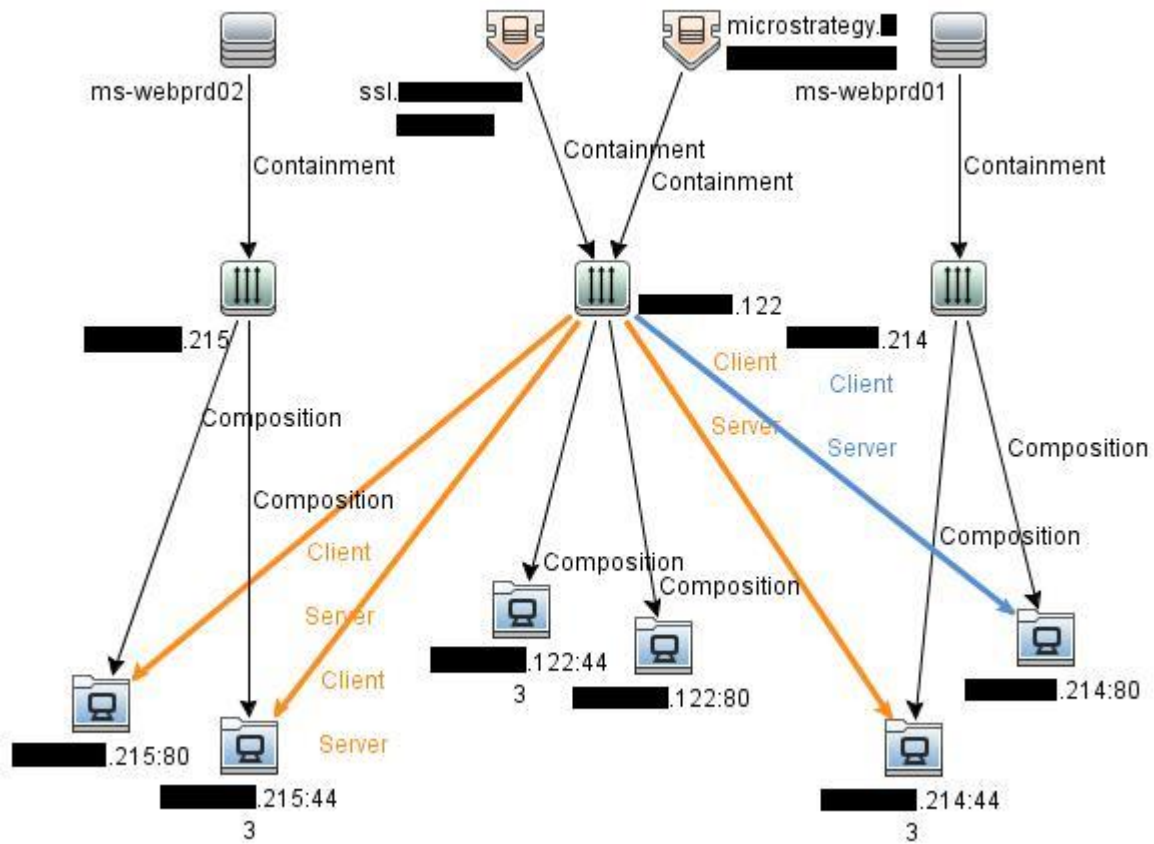
This DDM package uses SSH to discover AppDirectors. It starts by discovering the existence of an AppDirector device, and follows the Spiral Discovery process to trigger again and gather Load Balancing information. Load Balancing is mapped by policies through Virtual IPs, farms, and the dedicated servers.

Sample Output

The first sample shows six farms configured, with one of those farms being "microstrategyfarm":



Here's the mapping inside "microstrategyfarm". Two L4 policies (top middle) using a Virtual IP (middle), which route traffic to service addresses under the two configured servers in the farm:



For more information please contact Leverage Discovery:

website: [http:// leveragediscovery.com](http://leveragediscovery.com)

email: info@leveragediscovery.com