

Radio Interface Cable

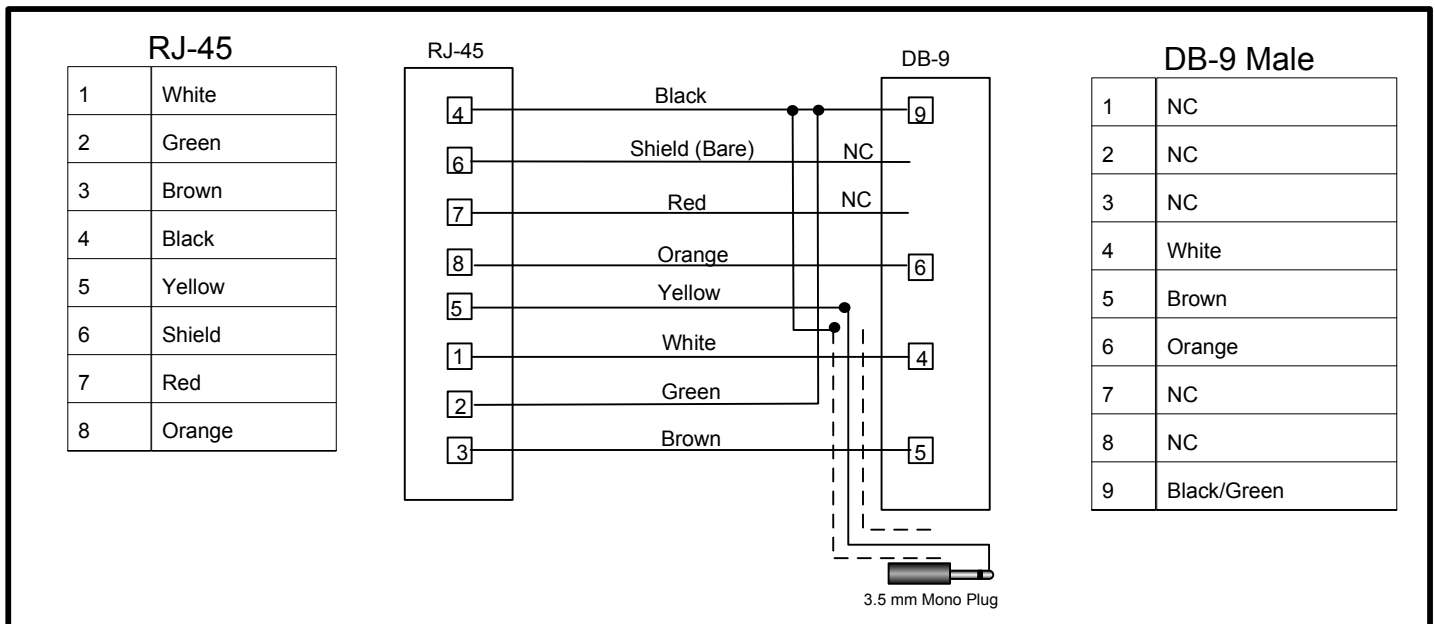
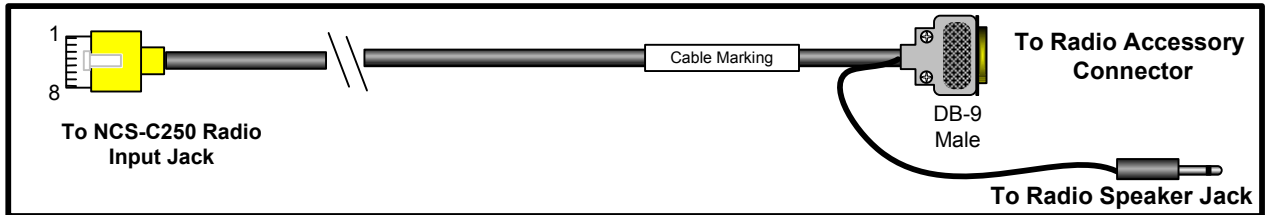
For NCS-C250 Mobile Multi-Switcher

NCS Model Number

NCS-250-IBA-XX

Compatible Radios:

All ICOM radios equipped with the OPC-617 accessory cable



Notes:

1. To enable external audio input, remove Solder Bead F and install Solder Bead D (note: Solder Bead D is labeled "SIG" in some radios)
2. To set up COR on pin 6 of the OPC-617 accessory connector:
 - (a) Disable 2/5 tone functions for desired channels
 - (b) Using the Expert screen, set RX EXO to ON and Delay Timer to OFF
3. To enable external PTT, using Cloning software:
 - (a) Set EPTT/FTSW to EPTT
 - (b) Set EPTT Delay Timer to OFF

Use these instructions for IC-F1721/F1821

1. Solder Bead F for tones and data (generally, a data line or greater than 300Hz).
2. Solder Bead SIG for signals of 300 HZ or less (sub-audible tones or low speed data).
3. To Set Pin 6 as a Carrier Operated Relay:
 - A. Set 2 tone Rx Code Ch "EXO" to *Off*
 - B. Set Mode "Horn" to *On*
 - C. Common "Exo" setting to *On*
 - D. Common "Exo Delay Timer sets how long Pin 6 stays low after signal.
 - E. Disable 2-Tone in Mem Ch.