

D Systems Residential Fire Pump
13D Compliant Pump Submittal Data Sheet-
SH5HP Dcono Package

Model F-SH502-D

Pump Data

- SH5HP 6-5/8 Imp, 1 Stage Centrifugal Pump
- 316L SS Corrosion Resistance Construction
- Built-In Overload , Auto-Reset Provided
- 23amp 230V Single Phase UL Motor
- *110V not available
- 2 F NPT Suction

Pump Flow

(not for certification use)

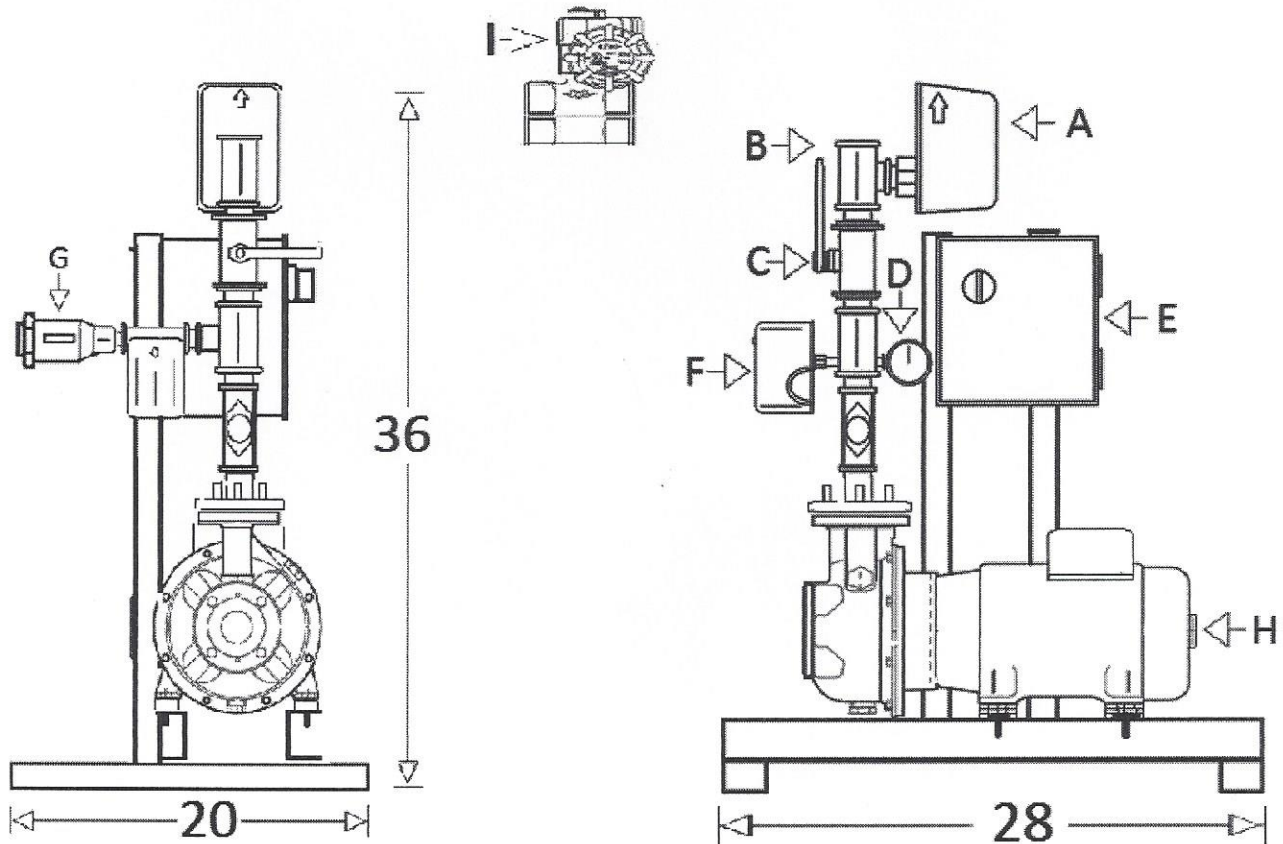
GPM	0	40	60	80	90	100
PSI	71	67	63	55	54	52

Components

- A - Flow Switch
- B - 1-1/2 Galvanized Riser F NPT
- C - Supervised Control Valve
- D - Pressure Gauge
- E - D Panel Control Box with Full Steel Frame
- F - 40 60 Pressure Switch
- G - Bypass Line w/ 3/4 Backflow Preventer
- H - SH 5 HP UL Motor w/Pump
- *Wiring in Liquid Tight Conduit (not shown)

Check Box for Optional Equipment

- I - Butterball Tamper Switch



*Note: all measurement in inches