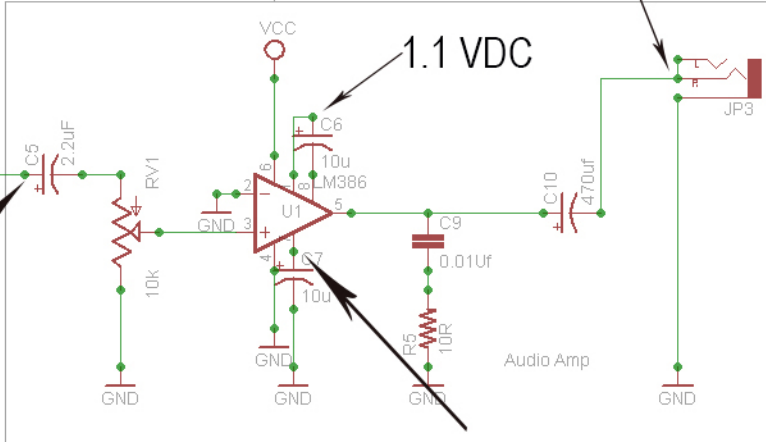
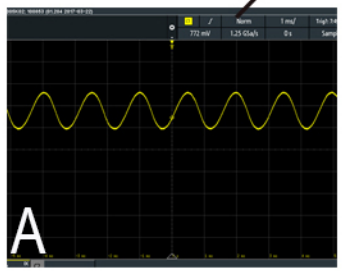
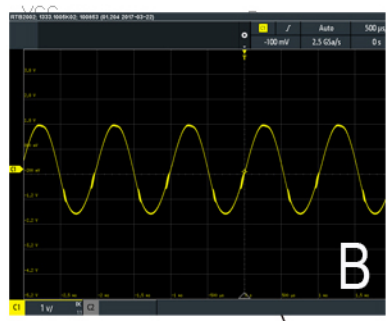


0.7VDC

0.9VDC



1.1 VDC

3.59 VDC

8 Ohm Speaker

Voltages are typical for an 8 VDC VCC, test conditions are, key down, speaker attached, Volume at mid point. Waveform 'A' is for the Twin T output, while 'B' is after amplification.