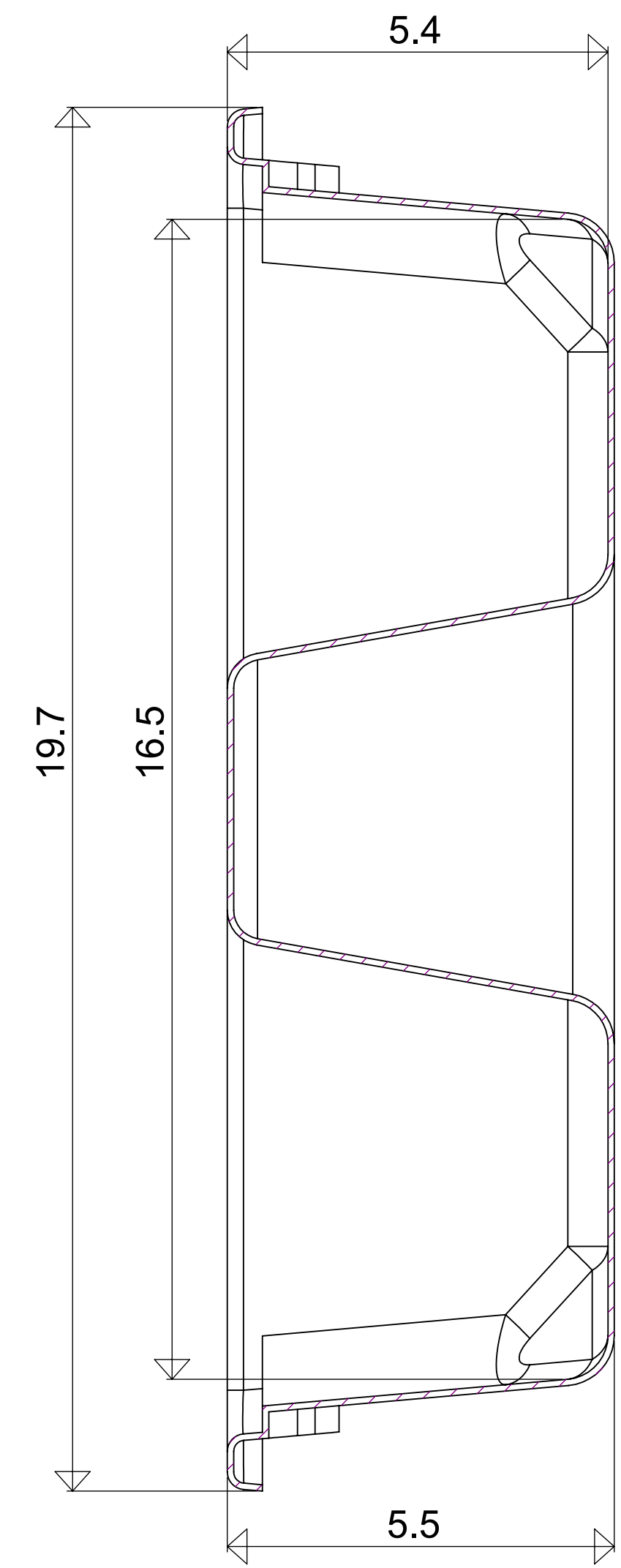
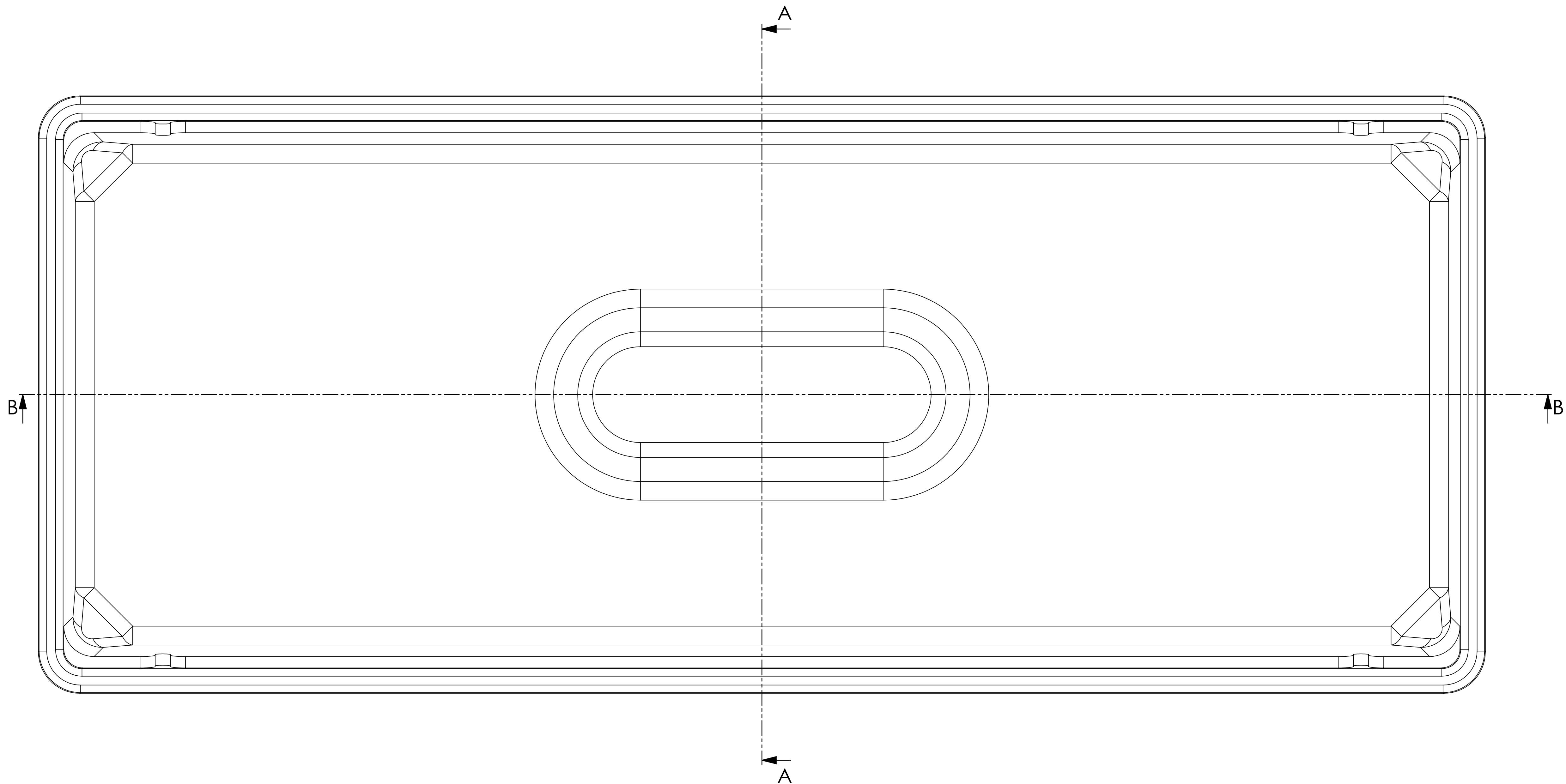
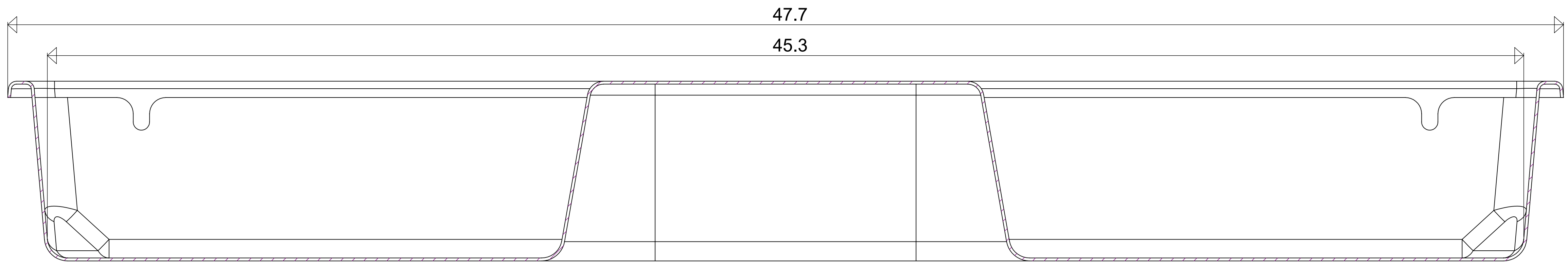


8 7 6 5 4 3 2 1



SECTION A-A
SCALE 1 : 2



SECTION B-B
SCALE 1 : 2

Hoosier Plastics, Inc.		Thermoformed Plastic Products	
<small>2011 South Third St. Terre Haute, IN • Phone: (812) 232-5027</small>			
PART NUMBER:	3375	REV A	UNLESS OTHERWISE SPECIFIED
DESCRIPTION:	TUBE TRAY		DIMENSIONS ARE IN INCHES DRAFT IS 3°
CUSTOMER:			DIMENSIONS TO CAVITY SIDE
CUSTOMER PART NUMBER:			TOLERANCES: ANGULAR: 1° DECIMAL: .020
SCALE:	1:2		THIS DESIGN IS THE SOLE PROPERTY OF HOOSIER PLASTICS, INC. UNTIL PURCHASED BY CUSTOMER
			DRAWN BY: MJM
			DATE: 8/23/2004
			MATERIAL: ---
			STOCK SIZE: 5.510 X 19.700 X 47.700
			SHEET 1 OF 2

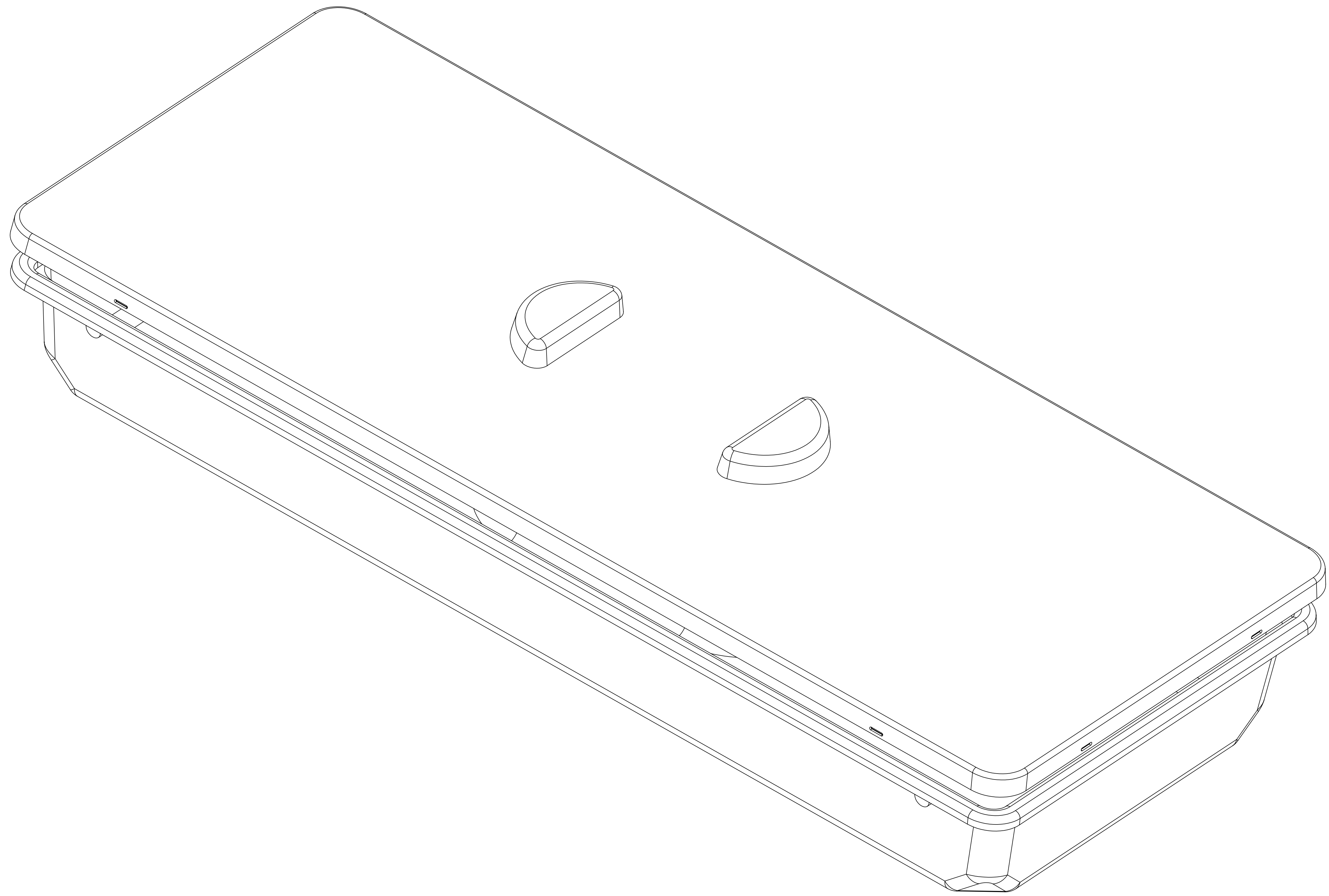
D 3446E

D 3446E

A

A

8 7 6 5 4 3 2 1



Hoosier Plastics, Inc. Thermoformed Plastic Products			
<small>2011 South Third St. Terre Haute, IN • Phone: (812) 232-5027 •</small>			
PART NUMBER: 3375	REV A	UNLESS OTHERWISE SPECIFIED	DRAWN BY: MJM
DESCRIPTION: SHIPPING TRAY		DIMENSIONS ARE IN INCHES DRAFT IS 3°	DATE: 03/29/2007
CUSTOMER: ---		DIMENSIONS TO CAVITY SIDE	MATERIAL: ---
CUSTOMER PART NUMBER: ---		TOLERANCES: ANGULAR: 1° DECIMAL: .020	STOCK SIZE: ---
SCALE: 1:2		THIS DESIGN IS THE SOLE PROPERTY OF HOOSIER PLASTICS, INC UNTIL PURCHASED BY CUSTOMER	SHEET 2 OF 2