

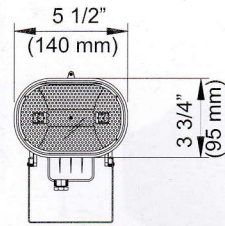
AMCO ALUMINUM DIE-CAST HALOGEN FLOODLIGHT



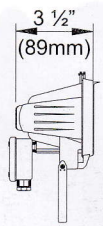
MODEL NO.
C-90-01-X
(100, 150 & 200 WATTS)



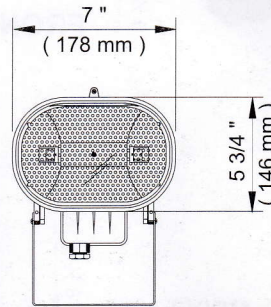
MODEL NO.
C-90-02-X
(250, 300 & 500 WATTS)



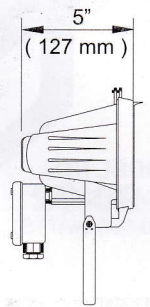
FRONT VIEW



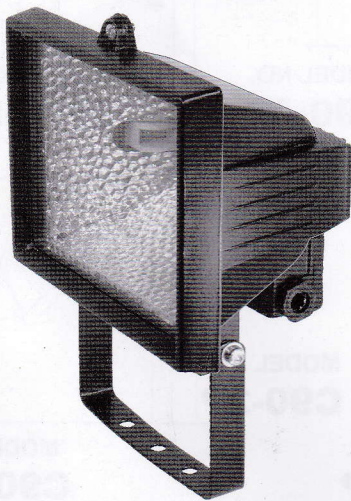
SIDE VIEW



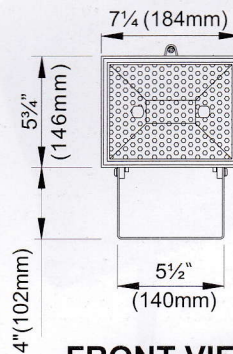
FRONT VIEW



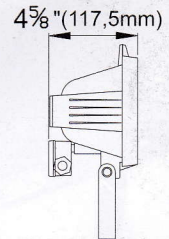
SIDE VIEW



MODEL NO.
C-90-02-BB
(250-500 WATTS)



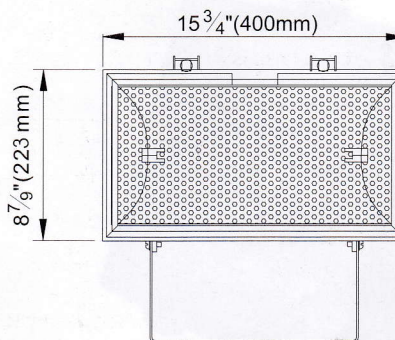
FRONT VIEW



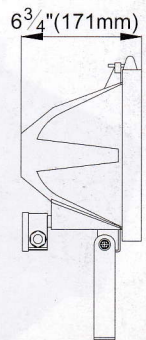
SIDE VIEW



MODEL NO.
C-90-05-BB
(1000-1500 WATTS)



FRONT VIEW



SIDE VIEW