

CLEMSON UNIVERSITY WOMEN'S SPORTS EXPANSION

GYMNASTICS

EAST BEACH DRIVE

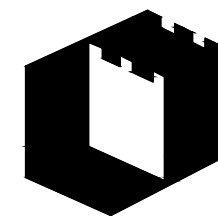
CLEMSON, SC 29631

ALUMINUM STOREFRONT INSTALLER

GOLDEN STRIP GLASS, INC.

343 MILLER ROAD
 MAULDIN, SC 29662
 864-297-9989
 WWW.GOLDENSTRIPMIRROR.COM

STOREFRONT MANUFACTURER



OLDCASTLE BUILDING ENVELOPE
 10405M GRANITE STREET
 CHARLOTTE, NC 28273
 704.504.0345
 WWW.OBE.COM

ARCHITECT

GARVIN DESIGN GROUP
 1209 LINCOLN STREET
 P.O. BOX 18
 COLUMBIA, SC 29202
 P: 803.212.1032
 F: 803.212.1074

ABBREVIATIONS

A/C = ACCESS CONTROLLED	N.I.C. = NOT IN CONTRACT
A.F.F. = ABOVE FINISHED FLOOR	N.T.S. = NOT TO SCALE
B.O.H. = BOTTOM OF HORIZONTAL	O.D. = OPENING DIMENSION
C.L. = CENTER LINE	O.F.D. = OVERALL FRAME DIMENSION
DIM. = DIMENSION	REF. = REFERENCE
D.L.O. = DAYLIGHT OPENING	R.O. = ROUGH OPENING
D.L. = DEAD LOAD (ANCHOR)	T.O.F.F. = TOP OF FINISHED FLOOR
D.O. = DOOR OPENING	T.O.H. = TOP OF HORIZONTAL
EL. = ELEVATION	T.O.S. = TOP OF SLAB
F.S. = FRAME SIZE	T.O.STL. = TOP OF STEEL
F.F. = FINISH FLOOR	U.N.O. = UNLESS NOTED OTHERWISE
G.C. = GENERAL CONTRACTOR	W.C. = WEB CENTER
HM = HOLLOW METAL BY OTHERS	W.D. = WINDOW DIMENSION
M.O. = MASONRY OPENING	W.L. = WIND LOAD (ANCHOR)
M.L. = MULLION LENGTH	W.P. = WORKING POINT
N.B.G.S. = NOT BY GOLDEN STRIP	

NOTES:

- SEE SEPARATE SAMPLES FOR GLASS MAKE UP.
- ALL WATER PROOFING MEMBRANE AND THRU WALL FLASHING IS SUPPLIED AND INSTALLED BY OTHERS. WATER PROOFING MEMBRANE MUST RETURN PAST THE "DRY LINE" OF THE WINDOW SYSTEM.
- ALL BLOCKING AND STRUCTURAL SUPPORT IS SUPPLIED AND INSTALLED BY OTHERS.
- THE MAIN STRUCTURE MUST BE CAPABLE OF WITHSTANDING THE LOADS IMPOSED BY THE OLDCASTLE B.E. GLAZING SYSTEMS. STRUCTURE MUST PROVIDE SUITABLE ANCHORAGE FOR THESE GLAZING SYSTEMS. AND MUST BE ERECTED WITH IN SPECIFIED BUILDING TOLERANCES.
- ALL BRAKE METAL (IF SHOWN) IS TO MATCH WINDOW SYSTEM FINISH

NOTES:

- ALL ROUGH OPENINGS WILL NEED TO BE FIELD VERIFIED PRIOR TO FRAME FABRICATION AND GLASS ORDER.
- ALL BUILDING CONDITIONS WILL NEED TO BE FIELD VERIFIED

CONTRACT DOCUMENTS USED:

- ARCHITECTURAL DRAWINGS DATED: 12/16/22

INDEX	
PAGE #	DESCRIPTION
.01	COVER PAGE
.02-.03	SCHEDULES
1.01 - 1.02	FLOOR PLANS
2.01 - 2.02	EXTERIOR CURTAINWALL ELEVATIONS
2.03	EXTERIOR 4 1/2" STOREFRONT ELEVATIONS
2.04 - 2.05	EXTERIOR 6" STOREFRONT ELEVATIONS
2.06	INTERIOR CURTAINWALL ELEVATIONS
2.07 - 2.11	INTERIOR STOREFRONT ELEVATIONS
3.01 - 3.04	EXTERIOR CURTAINWALL DETAILS
3.05 - 3.06	EXTERIOR 4 1/2" STOREFRONT DETAILS
3.07 - 3.08	EXTERIOR 6" STOREFRONT DETAILS
3.09 - 3.10	INTERIOR CURTAINWALL DETAILS
3.11 - 3.15	INTERIOR STOREFRONT DETAILS

ABBREVIATIONS AND SYMBOLS

	-- WORK POINT		--BACKER ROD & SEALANT
	-- ANCHOR LOCATION		--DIMENSION LUMBER
	-- GLASS TYPE		--CUT STONE
	--DETAIL NUMBER		--CONCRETE
	--SHEET NUMBER		--CONCRETE BLOCK
	--WINDOW DESIGNATION		--BATT INSULATION
	--DOOR DESIGNATION		--STEEL IN SECTION
	--INDICATES ITEMS TO BE VERIFIED BY CUSTOMER.		

EXCLUSIONS:

- THE FOLLOWING ITEMS ARE NOT SUPPLIED BY GOLDEN STRIP UNLESS STATED OTHERWISE.
- A. HOLLOW METAL FRAMING
 - B. WOOD DOORS
 - C. STRUCTURAL SUPPORT OR BLOCKING.
 - D. FINAL CLEANING OF GLASS OR METAL.
 - E. PROTECTION OF WORK IN PLACE.
 - F. FIRE PROOFING
 - G. CURTAIN WALL INSULATION
 - H. FLASHING UNLESS OTHERWISE NOTED

CLEMSON UNIVERSITY WOMEN'S SPORTS EXPANSION
 GYMNASTICS
 EAST BEACH DRIVE
 CLEMSON, SC 29631

GOLDEN STRIP GLASS
 343 MILLER ROAD
 MAULDIN, SC 29662
 864-297-9989, 864-286-6730 FAX
 WWW.GOLDENSTRIPMIRROR.COM

DRAWN BY: CW	DATE: 02/14/23
CHECKED BY: BP	DATE: 02/14/23

REV.	DESCRIPTION	DATE
1	1ST REVISION	02/23
NO	DESCRIPTION	
	DRAWING SUBMISSION	

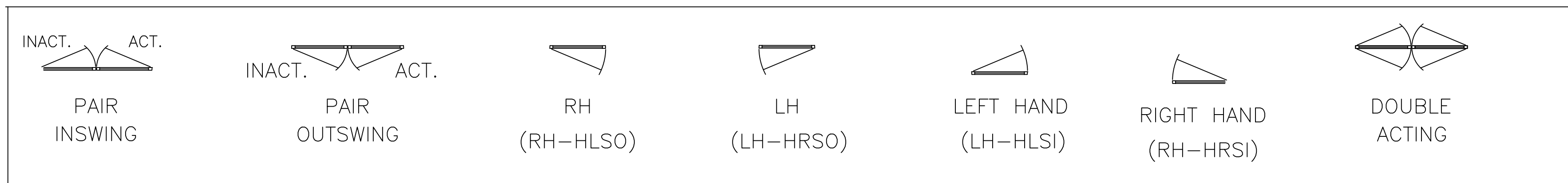
DOOR SCHEDULE (STOREFRONT DOORS AND FRAMES)							
DOOR #	OPENING SIZE	HW SET	MATERIAL	HAND	FRAME	FRAMING	AREA
G1C1.2	3'-0" X 7'-10"	10A	WIDE STILE	LH-HRSO	ISF5	FG2000	CORRIDOR G1C1
G104.1	3'-0" X 7'-10"	05	WIDE STILE	LH-HLSI	ISF2	FG2000	HEAD COACH G104
G105.1	3'-0" X 7'-10"	05	WIDE STILE	RH-HRSI	ISF3	FG2000	ASSISTANT COACH 1 G105
G109.1	3'-0" X 7'-10"	05	WIDE STILE	LH-HLSI	ISF3.1	FG2000	ASSISTANT COACH 2 G109
G111.1	3'-0" X 7'-10"	05	WIDE STILE	RH-HLSI	ISF4	FG2000	DIRECTOR OF OPS G111
G120.1	6'-0" X 7'-8"	03B	HEAVY DUTY	PRSO	CW1	CURTAIN WALL	ENTRY G120
G120.2	6'-0" X 7'-8"	03	HEAVY DUTY	PRSO	CW1	CURTAIN WALL	ENTRY G120
G122.1	3'-0" X 7'-10"	07C	WIDE STILE	LH-HRSO	ISF7	FG2000	NUTRITION G122
G123.1	3'-0" X 7'-10"	09B	WIDE STILE	RH-HRSI	ISF9	FG2000	LOCKERS G123
G130.1	3'-0" X 7'-10"	07	WIDE STILE	LH-HLSI	ISF6	FG2000	ENTRY G120
G130.2	3'-0" X 7'-10"	07	WIDE STILE	RH-HRSI	ISF1	FG2000	ENTRY G120
G130.3	3'-0" X 7'-10"	07	WIDE STILE	LH-HLSI	ISF1	FG2000	SPORTS MED G110
G130.6	6'-0" X 7'-10"	03D	HEAVY DUTY	PRSO	SF3	FG6000	TRAINING G130
G130.7	6'-0" X 7'-10"	03D	HEAVY DUTY	PRSO	SF3	FG6000	TRAINING G130
G130.9	3'-0" X 7'-10"	07	WIDE STILE	RH-HRSI	ISF6	FG2000	NUTRITION G122

ALUMINUM STOREFRONT DOOR NOTES:

- 1) EXTERIOR ALUMINUM STOREFRONT DOORS ARE TO BE OLDCASTLE B.E. HEAVY DUTY 2" THICK, WIDE STILE WITH 10" BOTTOM RAILS AND 8" MID RAILS & 8" TOP RAIL TO ACCEPT 1" GLASS
- 2) INTERIOR ALUMINUM STOREFRONT DOORS ARE TO BE OBE STANDARD 1 3/4" THICK, WIDE STILE WITH 8" TOP RAIL & 10" BOTTOM RAILS TO ACCEPT 1/4" GLASS
- 3) DOOR HARDWARE SUPPLIED BY OTHERS. OLDCASTLE B.E. WILL PREP AND INSTALL

DOOR HARDWARE NOTES:

- 1) ALL DOOR HARDWARE IS SUPPLIED BY OTHERS. GOLDEN STRIP WILL PREP AND INSTALL FOR THE HARDWARE. AN APPROVED HARDWARE SCHEDULE MUST BE PROVIDED PRIOR TO FABRICATION. ANY DELAY IN RECEIVING AN APPROVED HARDWARE SCHEDULE WILL RESULT IN A DIRECT DELAY IN THE DOOR SHIPMENT.
- 2) ALL HARDWARE MUST BE RECEIVED PRIOR TO DOOR FABRICATION. PLEASE COORDINATE WITH GOLDEN STRIP FOR SHIPPING INFORMATION. PLEASE MARK ALL BOXES CLEARLY TO INCLUDE DOOR NUMBERS. ANY DELAY IN RECEIVING THE DOOR HARDWARE WILL RESULT IN A DIRECT DELAY IN THE DOOR SHIPMENT.



CLEMSON UNIVERSITY WOMEN'S SPORTS EXPANSION
GYMNASTICS
 EAST BEACH DRIVE
 CLEMSON, SC 29631

GOLDEN STRIP GLASS
 343 MILLER ROAD
 MAULDIN, SC 29662
 864-297-9889, 864-286-6730 FAX
 WWW.GOLDENSTRIPMIRROR.COM

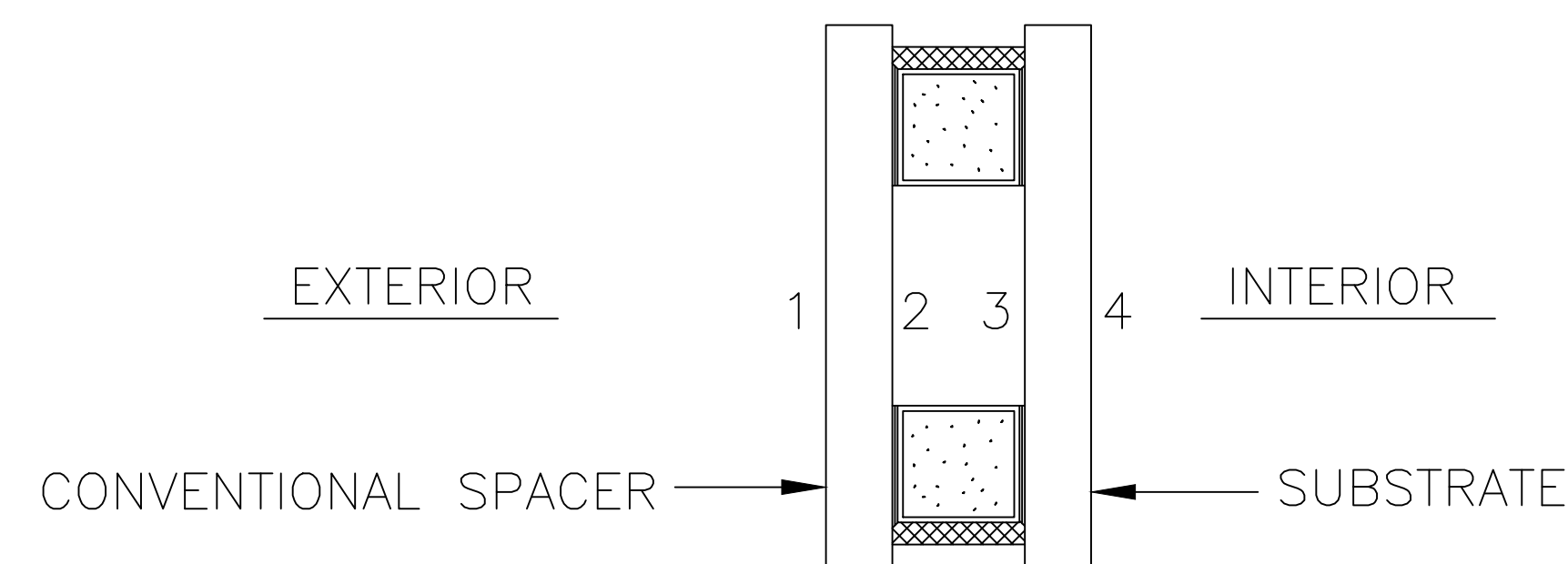
DRAWN BY:	DATE:
CW	02/14/23
CHECKED BY:	DATE:
BP	02/14/23

DATE	02/23
DESCRIPTION	1ST REVISION
REV.	1
DESCRIPTION	DRAWING SUBMISSION

GLASS SCHEDULE

SYMBOL	DESCRIPTION (SEE SUBMITTALS)
G1T	1" INSULATED GLASS - TEMPERED VISION - 1/4" CLEAR TEMPERED GLASS WITH SNX 62/27 LOW-E ON #2 SURF. - 1/2" AIR SPACE - 1/4" CLEAR TEMPERED GLASS
G1	1" INSULATED GLASS - ANNEALED VISION - 1/4" CLEAR ANNEALED GLASS WITH SNX 62/27 LOW-E ON #2 SURF. - 1/2" AIR SPACE - 1/4" CLEAR ANNEALED GLASS
G2T	1/4" CLEAR TEMPERED GLASS

GLASS ILLUSTRATION



ARCH/GC GLASS NOTES:

ALL GLAZING TYPES LISTED HERE ARE BASIC DESCRIPTIONS. REFERENCE GOLDEN STRIP'S SEPARATE SUBMITTALS FOR A COMPLETE GLASS SCHEDULE.

ALUMINUM WINDOW FINISH

EXTERIOR FRAMES - MANUFACTURER'S STANDARD CHARCOAL PAINTED
INTERIOR FRAMES - CLEAR ANODIZED

ALUMINUM FRAME NOTES:

- 1) EXTERIOR CURTAIN WALL FRAMES ARE TO BE:
OBE RELIANCE 2 1/2" X 7 1/4" AND FRONT SET FULLY CAPTURED TO ACCEPT 1" GLASS (CHARCOAL PAINTED)
- 2) EXTERIOR STOREFRONT FRAMES ARE TO BE:
OBE FG3000T 2" X 4 1/2" CENTER SET TO ACCEPT 1" GLASS (CHARCOAL PAINTED)
- 3) EXTERIOR STOREFRONT FRAMES ARE TO BE:
OBE FG6000T 2" X 6" CENTER SET TO ACCEPT 1" GLASS (CHARCOAL PAINTED)
- 4) EXTERIOR CURTAIN WALL FRAMES ARE TO BE:
OBE RELIANCE 2 1/2" X 6" AND FRONT SET FULLY CAPTURED TO ACCEPT 1/4" GLASS (CLEAR ANODIZED)
- 5) INTERIOR STOREFRONT FRAMES ARE TO BE:
OBE FG2000 INTERIOR 1 3/4" X 4 1/2" CENTER SET STOREFRONT TO ACCEPT 1/4" GLASS (CLEAR ANODIZED)

**DOOR FRAMES ARE INDICATES
ON THE DRAWINGS WITH A**



**WINDOW FRAMES ARE INDICATES
ON THE DRAWINGS WITH A**

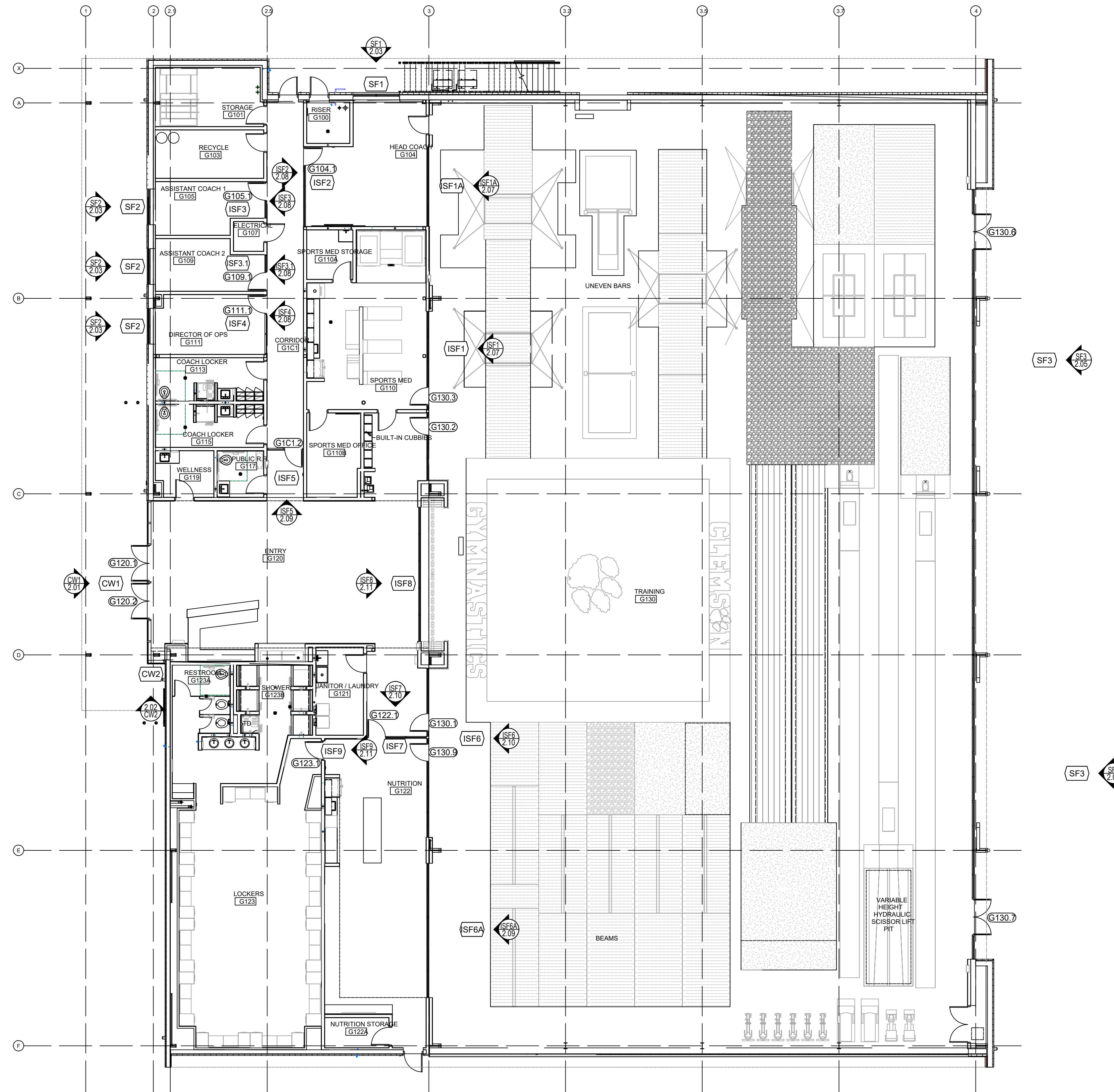


DATE	02/23	DESCRIPTION	1ST REVISION	REV.	1	DRAWING	SUBMISSION
------	-------	-------------	--------------	------	---	---------	------------

**CLEMSON UNIVERSITY WOMEN'S SPORTS EXPANSION
GYMNASTICS**
 EAST BEACH DRIVE
 CLEMSON, SC 29631

GOLDEN STRIP GLASS
 343 MILLER ROAD
 MAULDIN, SC 29662
 864-297-9889, 864-286-6730 FAX
 WWW.GOLDENSTRIPMIRROR.COM

DRAWN BY:	DATE:
CW	02/14/23
CHECKED BY:	DATE:
BP	02/14/23



ARCH / G.C. NOTE:

FLOOR PLANS ARE PROVIDED FOR OPENING TYPE LOCATION ONLY. REFER TO SPECIFIC MARK ELEVATIONS FOR SIZE REFERENCE DIMENSIONING, MULLION SPACING, ETC.

FIRST FLOOR PLAN

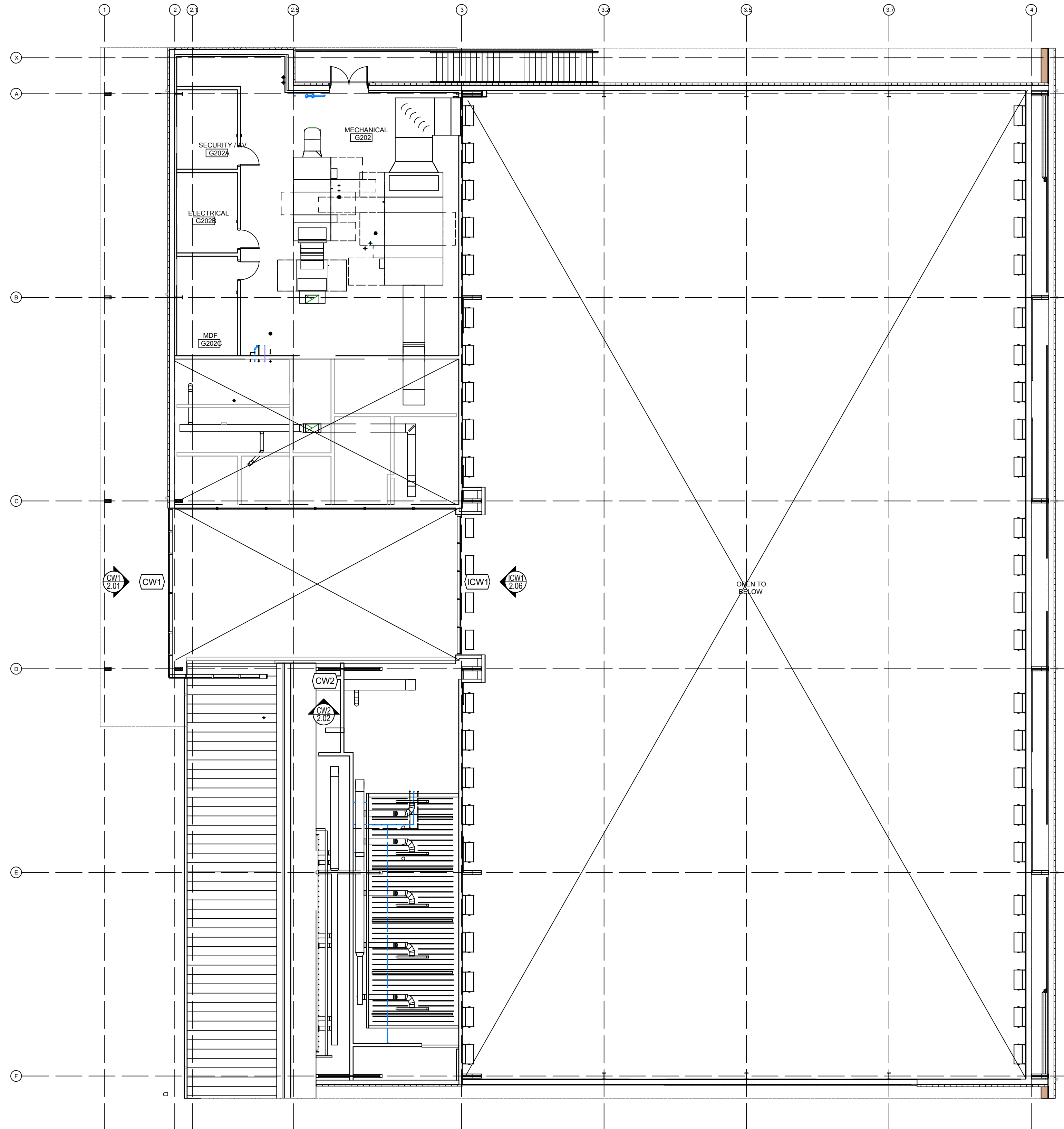
NTS ARCH. REF.: AG1.1

DATE	07/23
DESCRIPTION	1ST FLOOR PLAN
REV.	1
DRAWING	SUBMISSION

CLEMSON UNIVERSITY WOMEN'S SPORTS EXPANSION
GYMNASTICS
 EAST BEACH DRIVE
 CLEMSON, SC 29631

GOLDEN STRIP GLASS
 343 MILLER ROAD
 MAULDIN, SC 29662
 864-297-9889, 864-286-6730 FAX
 WWW.GOLDENSTRIPMIRROR.COM

DRAWN BY:	DATE:
CW	02/14/23
CHECKED BY:	DATE:
BP	02/14/23



ARCH / G.C. NOTE:

FLOOR PLANS ARE PROVIDED FOR OPENING TYPE LOCATION ONLY. REFER TO SPECIFIC MARK ELEVATIONS FOR SIZE REFERENCE DIMENSIONING, MULLION SPACING, ETC.

MECHANICAL LEVEL FLOOR PLAN

NTS

ARCH. REF.: AG1.2

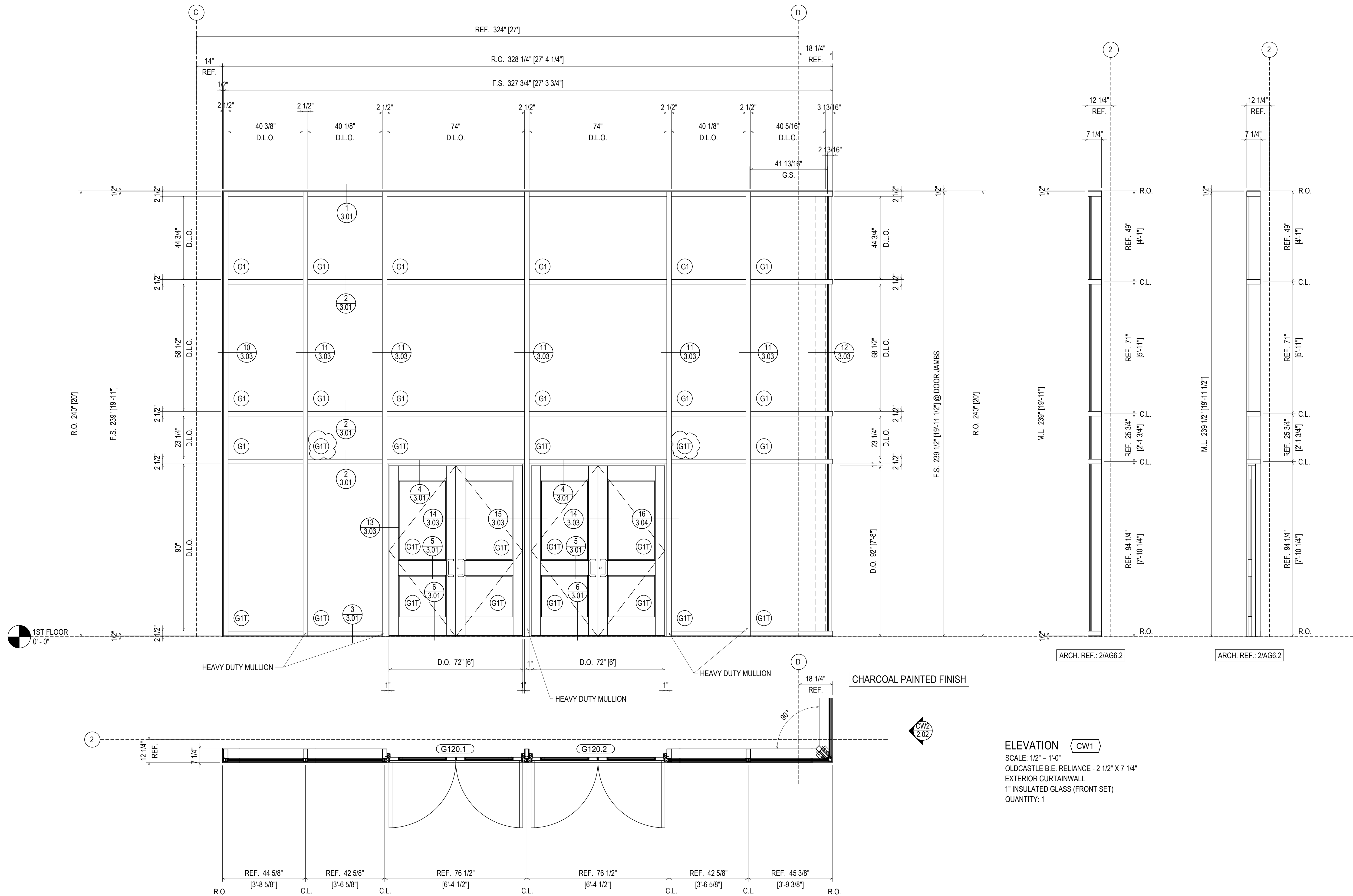
**CLEMSON UNIVERSITY WOMEN'S SPORTS EXPANSION
GYMNASTICS**
EAST BEACH DRIVE
CLEMSON, SC 29631

GOLDEN STRIP GLASS
343 MILLER ROAD
MAULDIN, SC 29662
864-297-9889, 864-286-6730 FAX
WWW.GOLDENSTRIPMIRROR.COM

DRAWN BY: CW	DATE: 02/14/23
CHECKED BY: BP	DATE: 02/14/23

1.02

DESCRIPTION 1ST FLOOR PLAN	DATE 02/23
REV. 1	
DRAWING SUBMISSION	



CHARCOAL PAINTED FINISH

ELEVATION CW1

SCALE: 1/2" = 1'-0"
 OLDCASTLE B.E. RELIANCE - 2 1/2" X 7 1/4"
 EXTERIOR CURTAINWALL
 1" INSULATED GLASS (FRONT SET)
 QUANTITY: 1

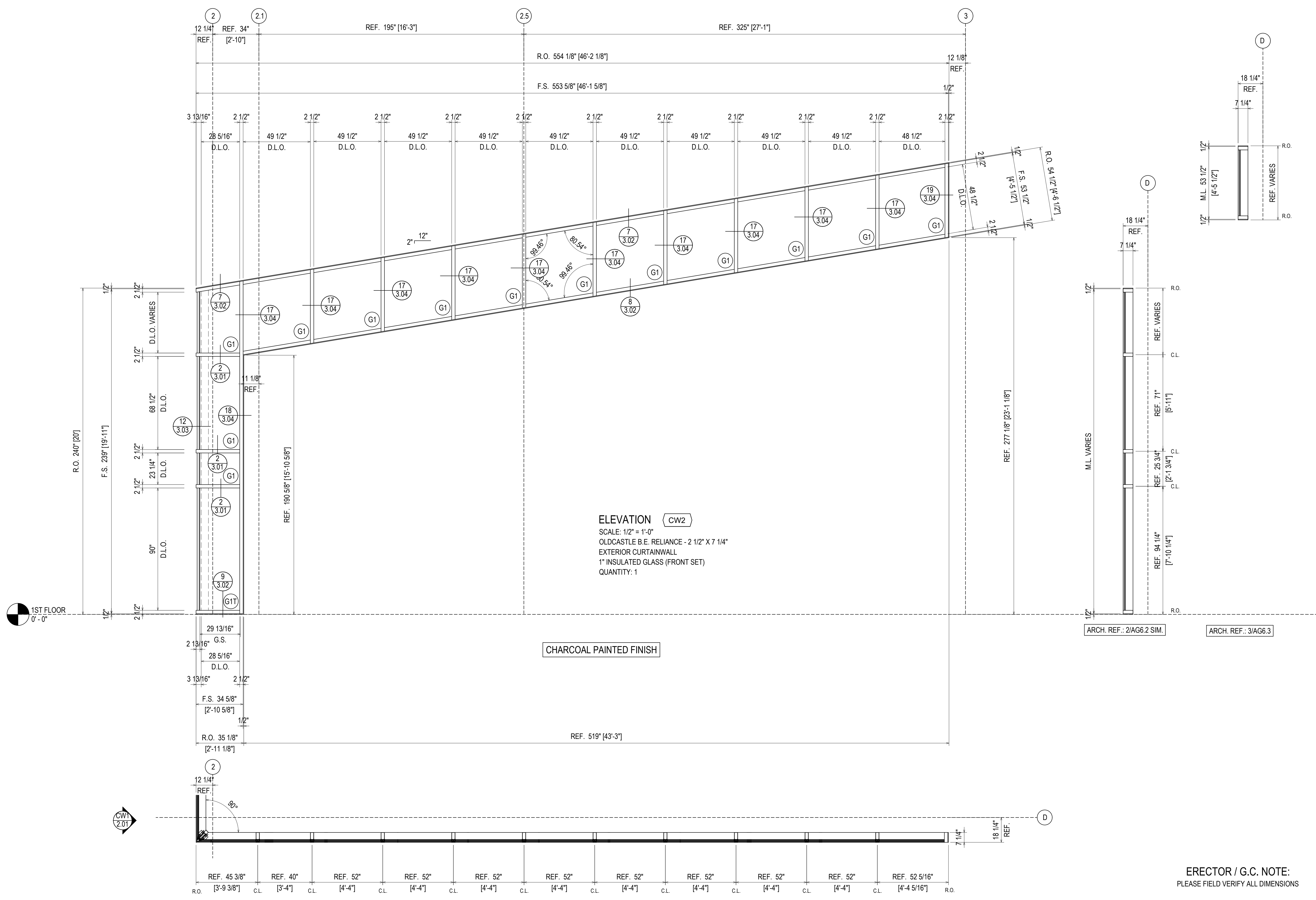
ERECTOR / G.C. NOTE:
 PLEASE FIELD VERIFY ALL DIMENSIONS

DATE	4/2/23
DESCRIPTION	1ST FLOOR
REV.	NO
DESCRIPTION	DRAWING SUBMISSION

CLEMSON UNIVERSITY WOMEN'S SPORTS EXPANSION
GYMNASTICS
 EAST BEACH DRIVE
 CLEMSON, SC 29631

GOLDEN STRIP GLASS
 343 MILLER ROAD
 MAULDIN, SC 29662
 864-297-9989, 864-286-6730 FAX
 WWW.GOLDENSTRIPMIRROR.COM

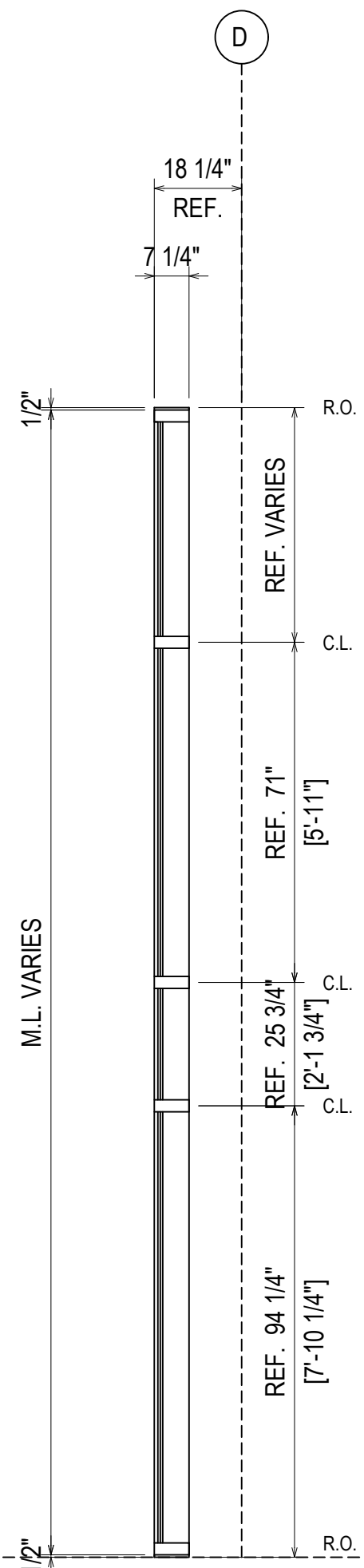
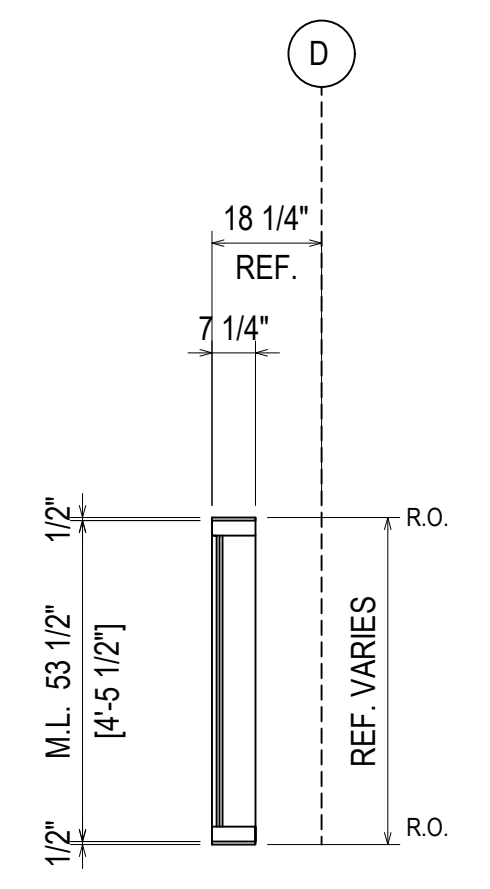
DRAWN BY:	DATE:
CW	02/14/23
CHECKED BY:	DATE:
BP	02/14/23



ELEVATION CW2
 SCALE: 1/2" = 1'-0"
 OLDCASTLE B.E. RELIANCE - 2 1/2" X 7 1/4"
 EXTERIOR CURTAINWALL
 1" INSULATED GLASS (FRONT SET)
 QUANTITY: 1

CHARCOAL PAINTED FINISH

ARCH. REF.: 2/AG6.2 SIM. ARCH. REF.: 3/AG6.3



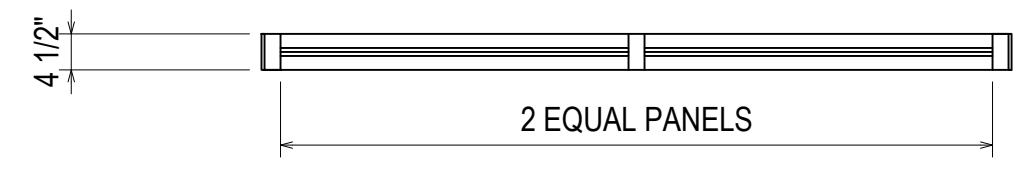
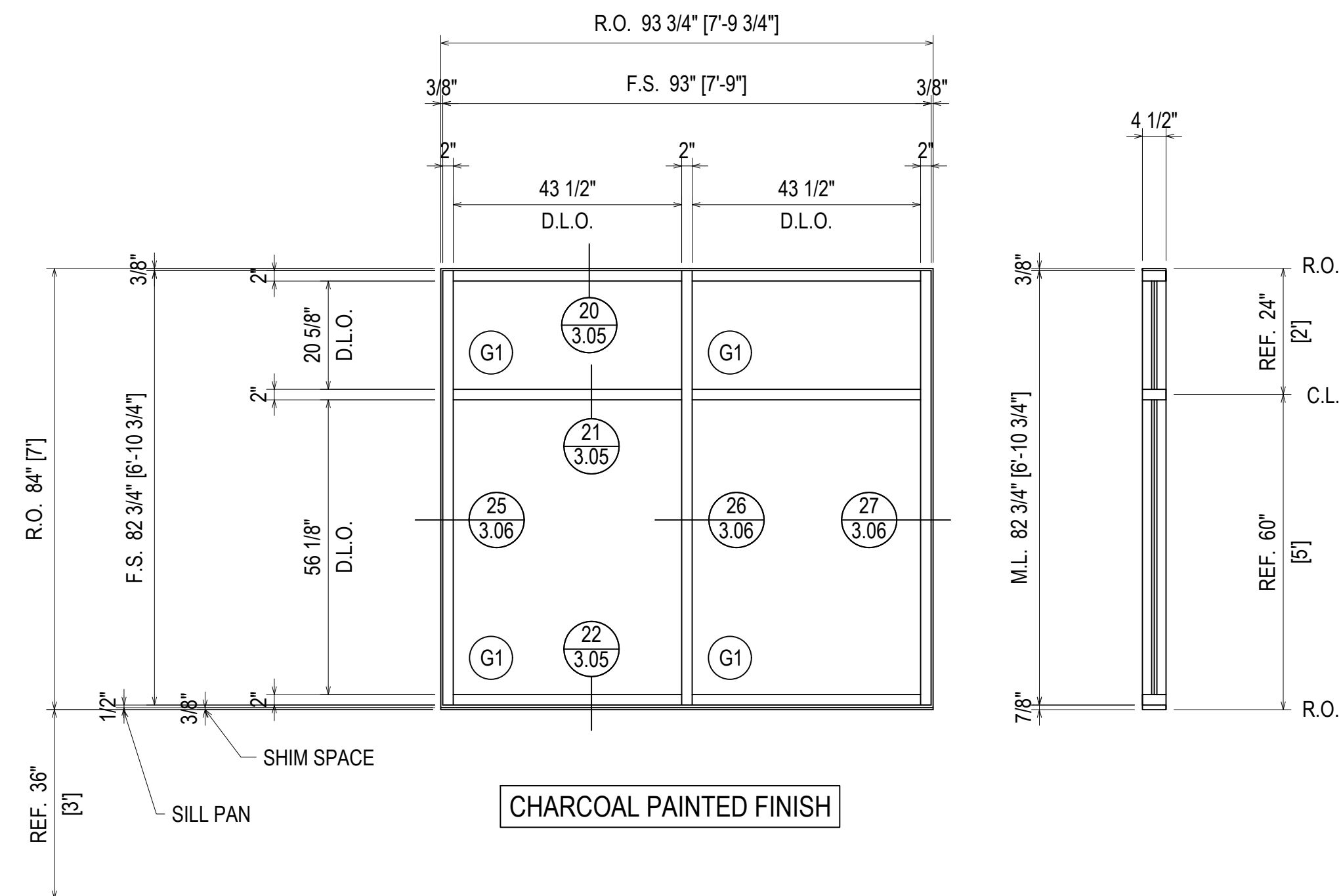
REV.	DESCRIPTION	DATE
1	1ST REVISION	02/14/23
NO	DESCRIPTION	
	DRAWING SUBMISSION	

CLEMSON UNIVERSITY WOMEN'S SPORTS EXPANSION
GYMNASTICS
 EAST BEACH DRIVE
 CLEMSON, SC 29631

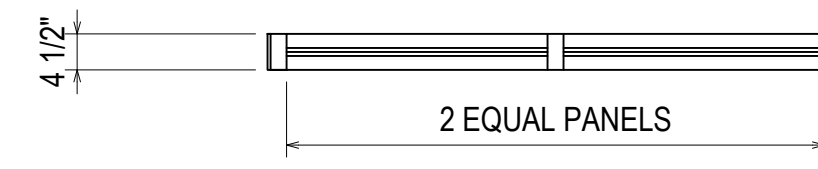
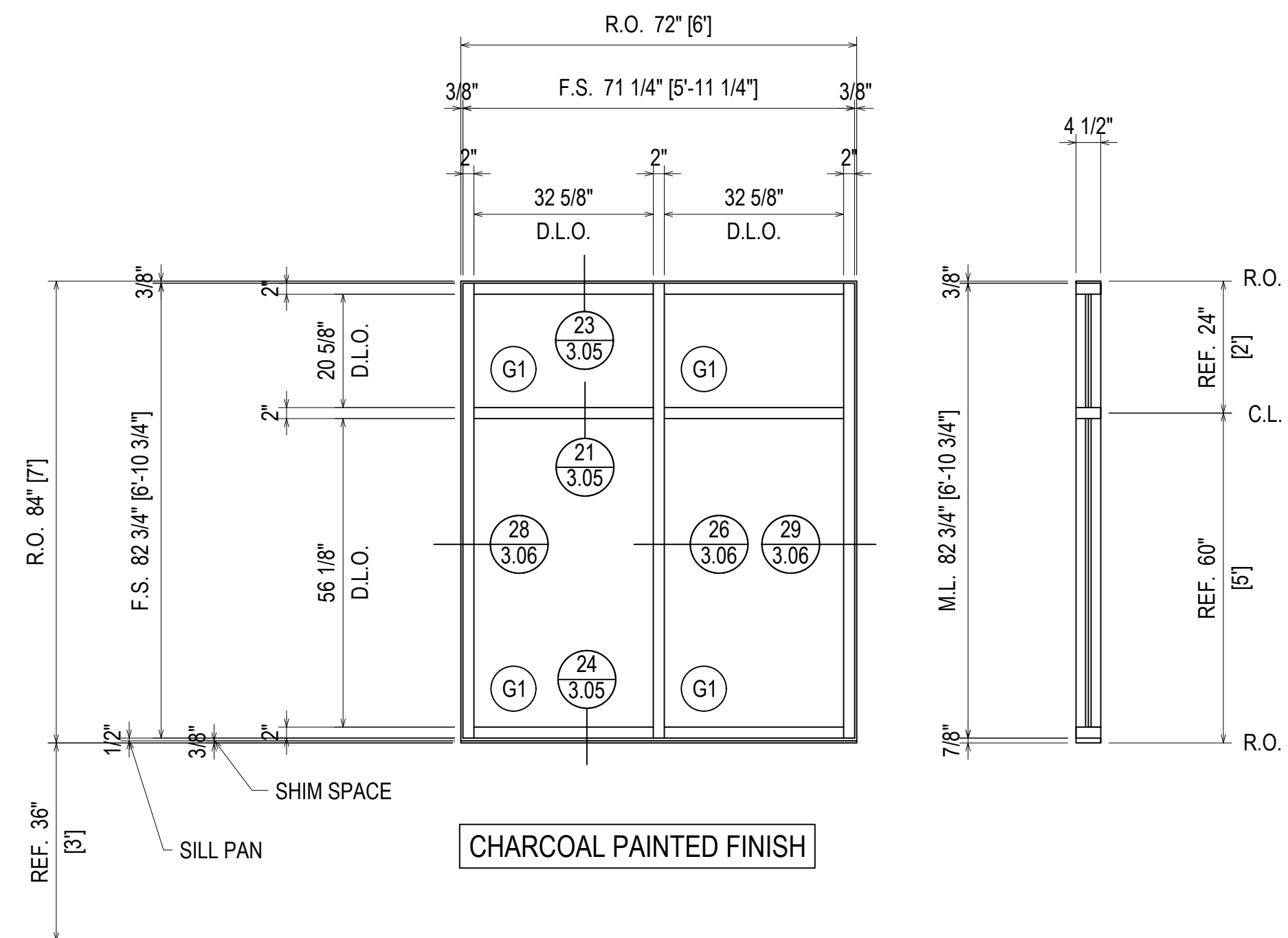
GOLDEN STRIP GLASS
 343 MILLER ROAD
 MAULDIN, SC 29662
 864-297-9889, 864-286-6730 FAX
 WWW.GOLDENSTRIPMIRROR.COM

DRAWN BY: CW	DATE: 02/14/23
CHECKED BY: BP	DATE: 02/14/23

ERECTOR / G.C. NOTE:
 PLEASE FIELD VERIFY ALL DIMENSIONS



ELEVATION SF1
 SCALE: 1/2" = 1'-0"
 OLDCASTLE B.E. FG-3000T 2" X 4 1/2"
 EXTERIOR STOREFRONT
 1" INSULATED GLASS (CENTER SET)
 QUANTITY: 1



ELEVATION SF2
 SCALE: 1/2" = 1'-0"
 OLDCASTLE B.E. FG-3000T 2" X 4 1/2"
 EXTERIOR STOREFRONT
 1" INSULATED GLASS (CENTER SET)
 QUANTITY: 3

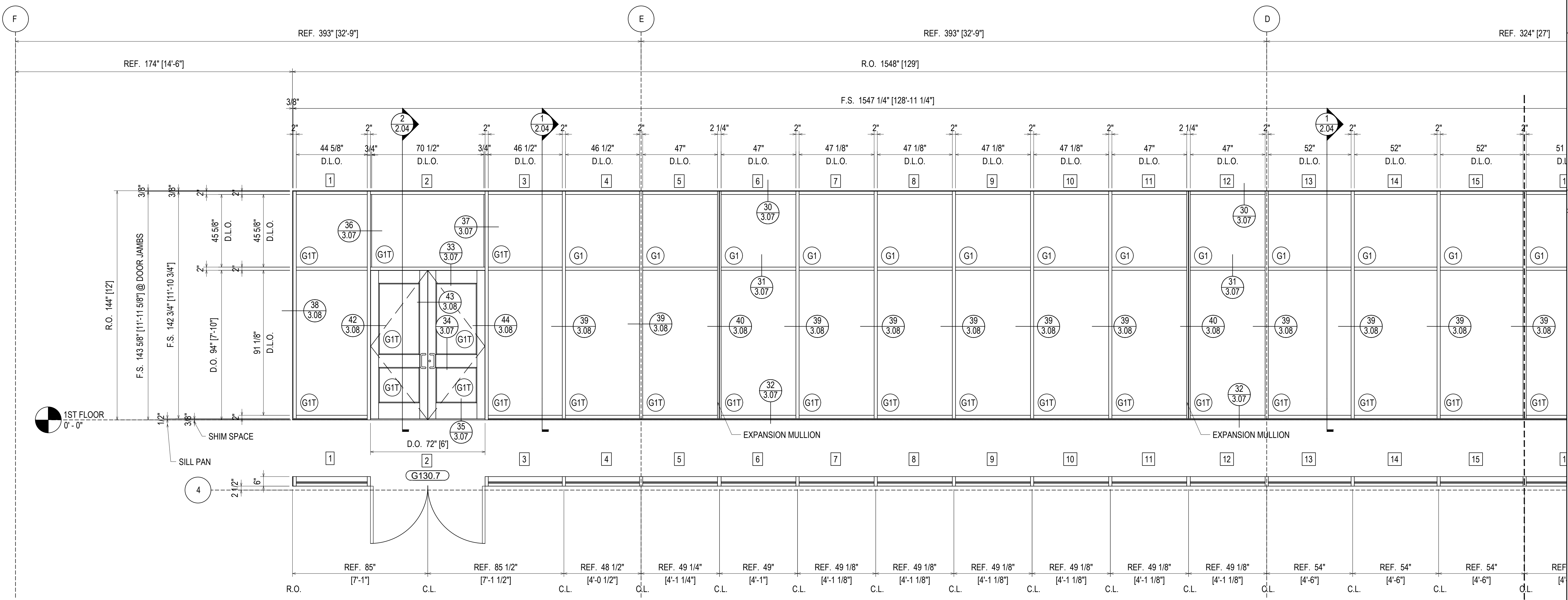
REV.	DESCRIPTION	DATE
1	1ST REVISION	02/23
NO	DESCRIPTION	
	DRAWING SUBMISSION	

CLEMSON UNIVERSITY WOMEN'S SPORTS EXPANSION
GYMNASTICS
 EAST BEACH DRIVE
 CLEMSON, SC 29631

GOLDEN STRIP GLASS
 343 MILLER ROAD
 MAULDIN, SC 29662
 864-297-9889, 864-286-6730 FAX
 WWW.GOLDENSTRIPMIRROR.COM

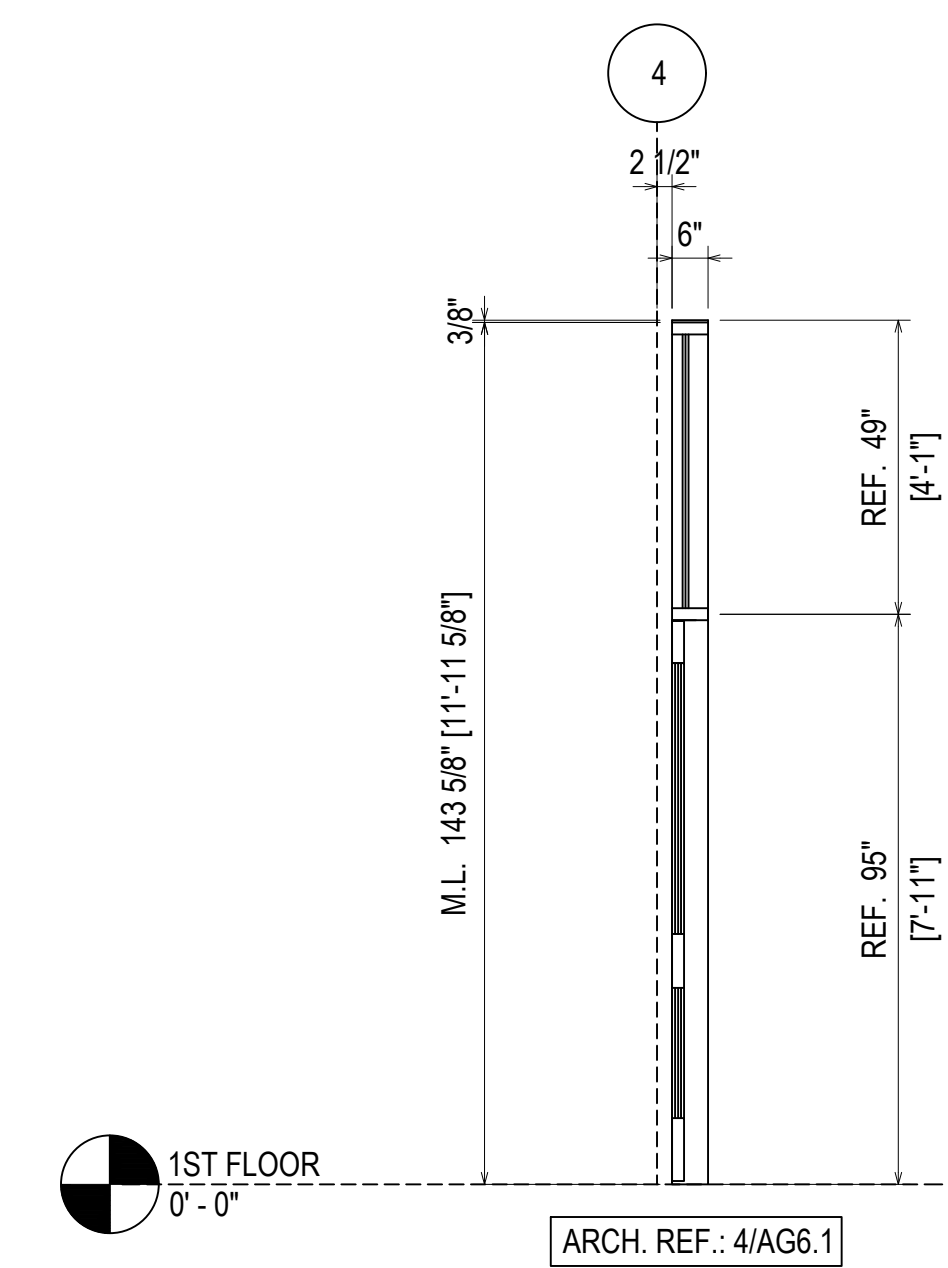
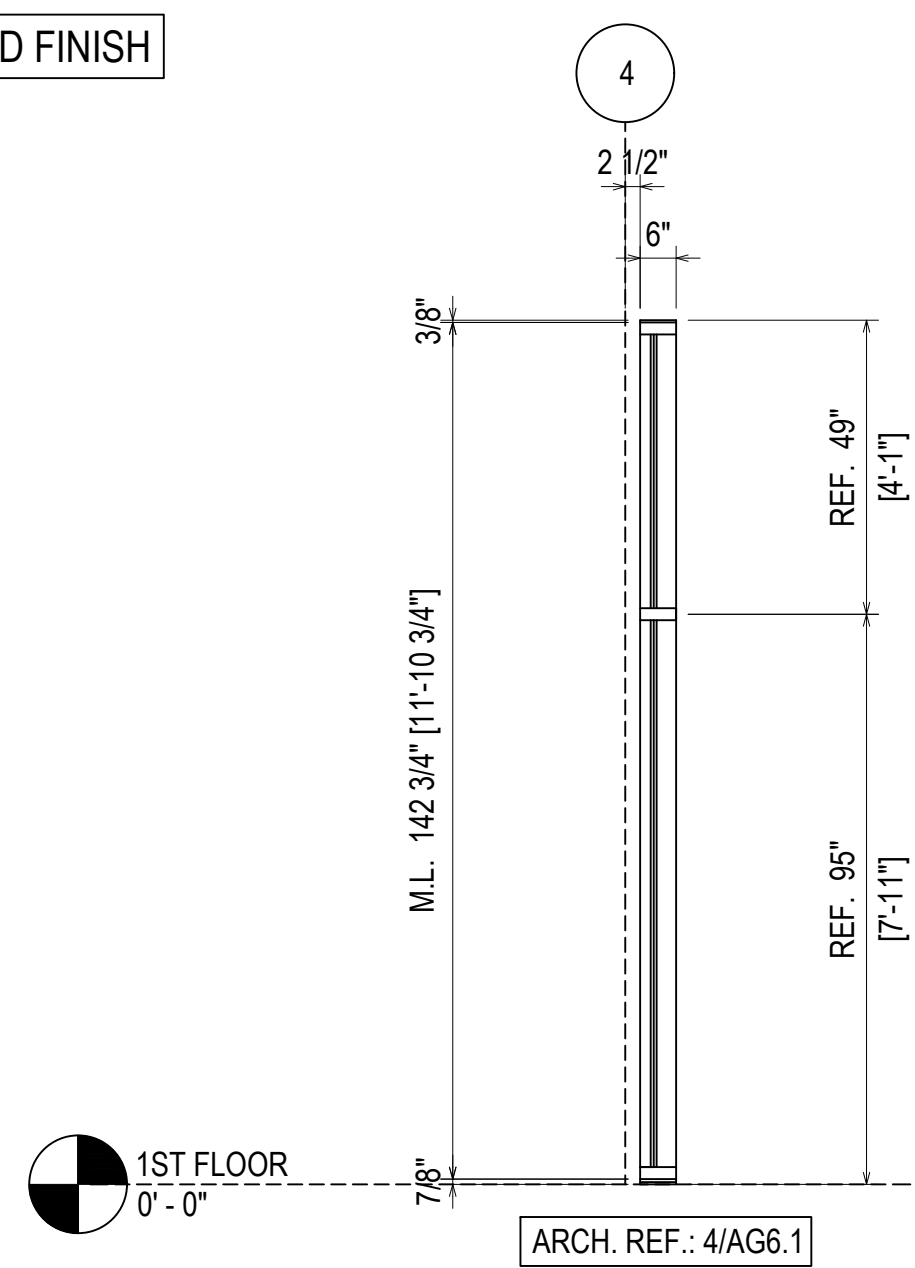
DRAWN BY:	DATE:
CW	02/14/22
CHECKED BY:	DATE:
BP	02/14/23

ERECTOR / G.C. NOTE:
 PLEASE FIELD VERIFY ALL DIMENSIONS



CHARCOAL PAINTED FINISH

ELEVATION SF3
 SCALE: 1/2" = 1'-0"
 OLDCASTLE B.E. FG-6000T 2" X 6"
 EXTERIOR STOREFRONT
 1" INSULATED GLASS (CENTER SET)
 QUANTITY: 1



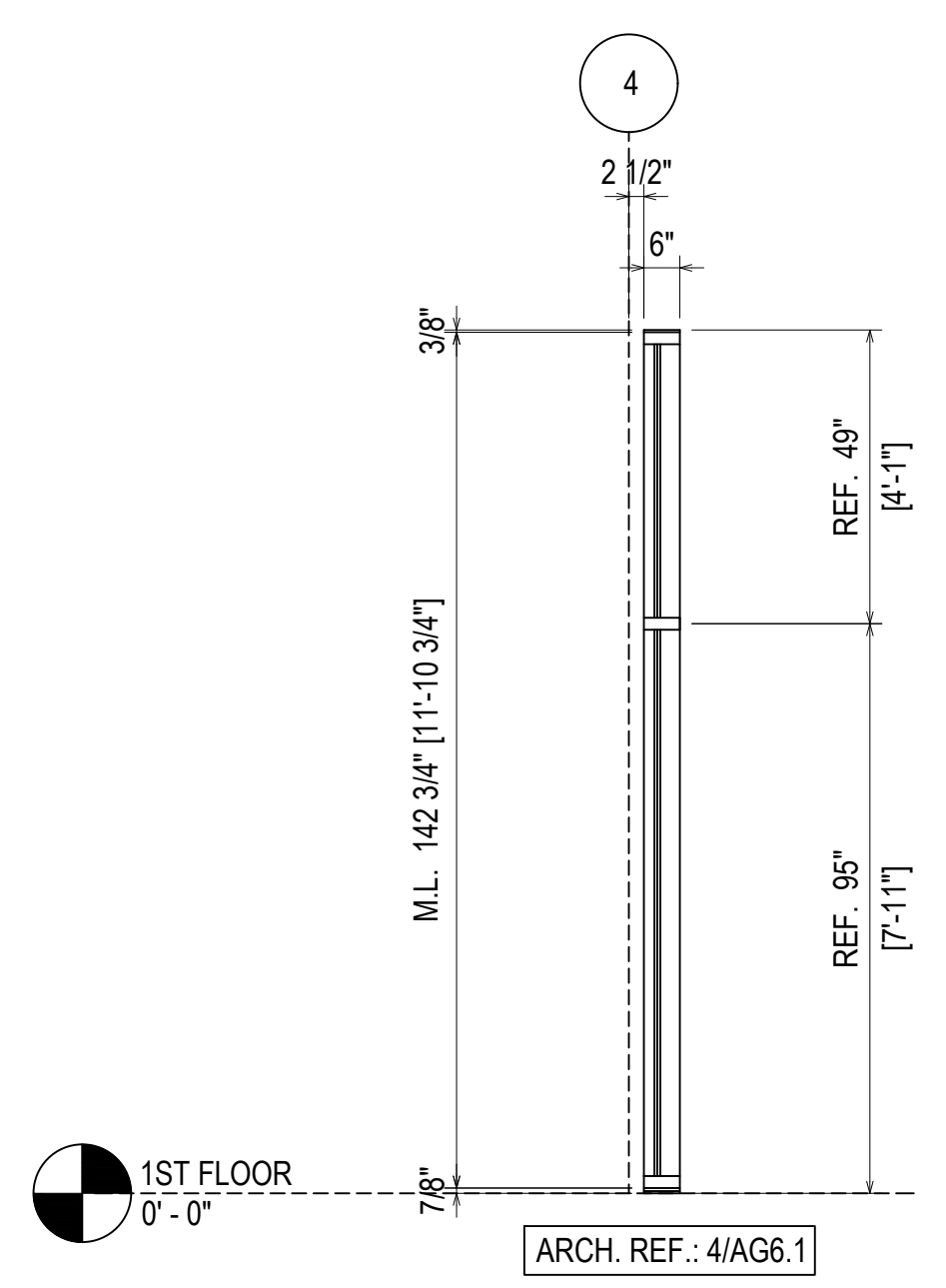
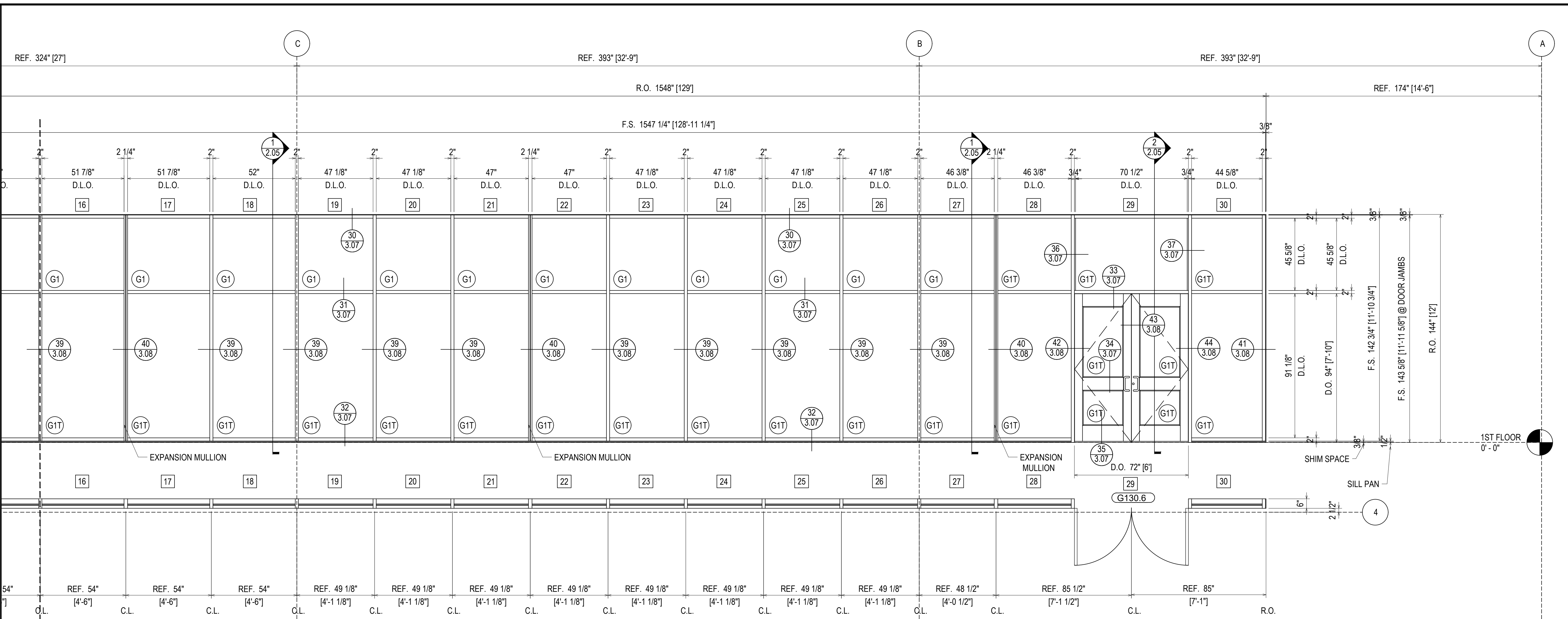
ERECTOR / G.C. NOTE:
 PLEASE FIELD VERIFY ALL DIMENSIONS

DATE	02/14/23
DESCRIPTION	1ST FLOOR
NO	
DESCRIPTION	DRAWING SUBMISSION

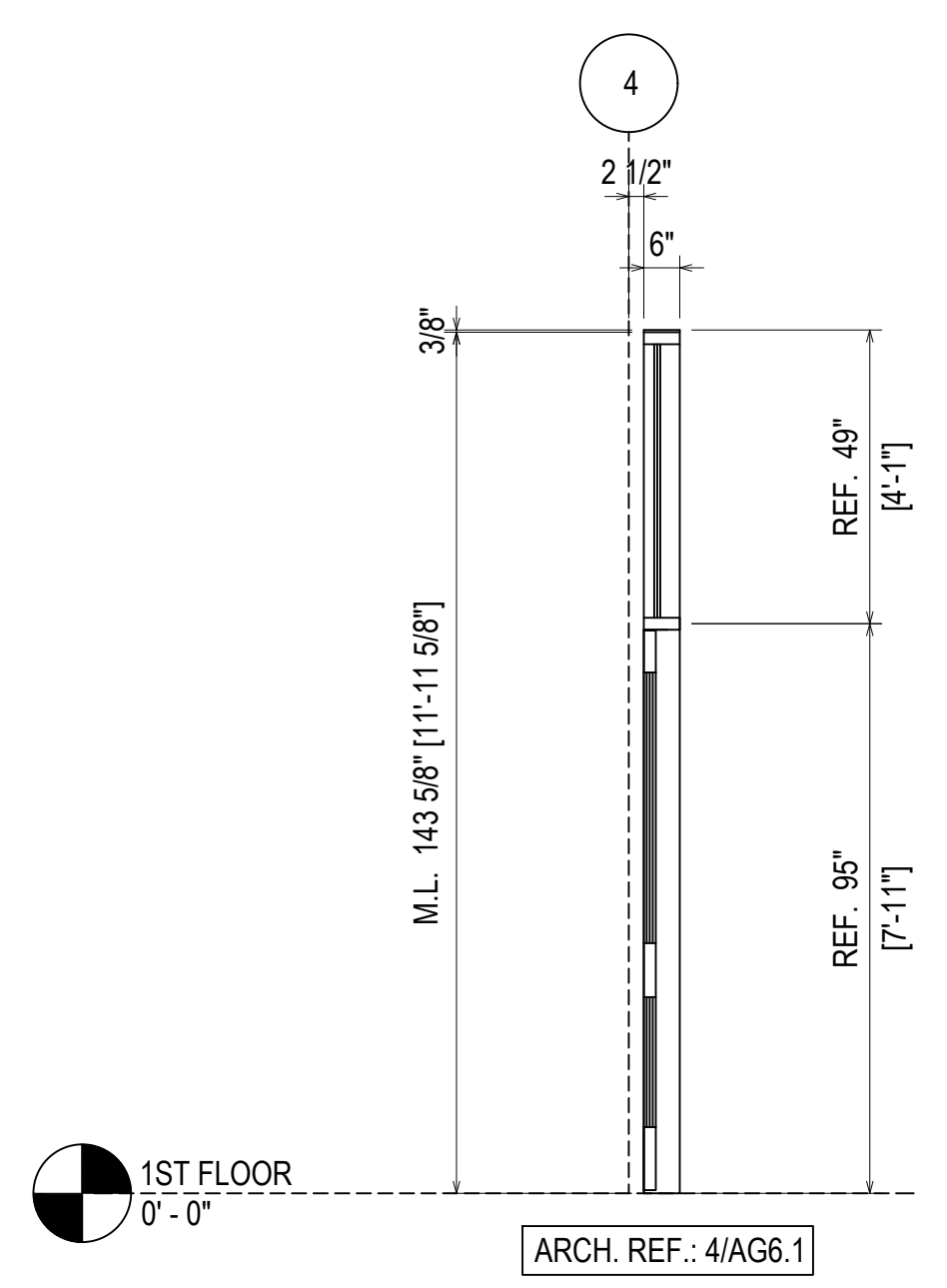
CLEMSON UNIVERSITY WOMEN'S SPORTS EXPANSION
GYMNASTICS
 EAST BEACH DRIVE
 CLEMSON, SC 29631

GOLDEN STRIP GLASS
 343 MILLER ROAD
 MAULDIN, SC 29662
 864-237-9889, 864-286-6730 FAX
 WWW.GOLDENSTRIPMIRROR.COM

DRAWN BY:	DATE:
CW	02/14/23
CHECKED BY:	DATE:
BP	02/14/23



1 WALL SECTION
SCALE = 3/8" = 1'-0"



2 WALL SECTION
SCALE = 3/8" = 1'-0"

CHARCOAL PAINTED FINISH

ELEVATION SF3
SCALE: 1/2" = 1'-0"
OLDCASTLE B.E. FG-6000T 2" X 6"
EXTERIOR STOREFRONT
1" INSULATED GLASS (CENTER SET)
QUANTITY: 1

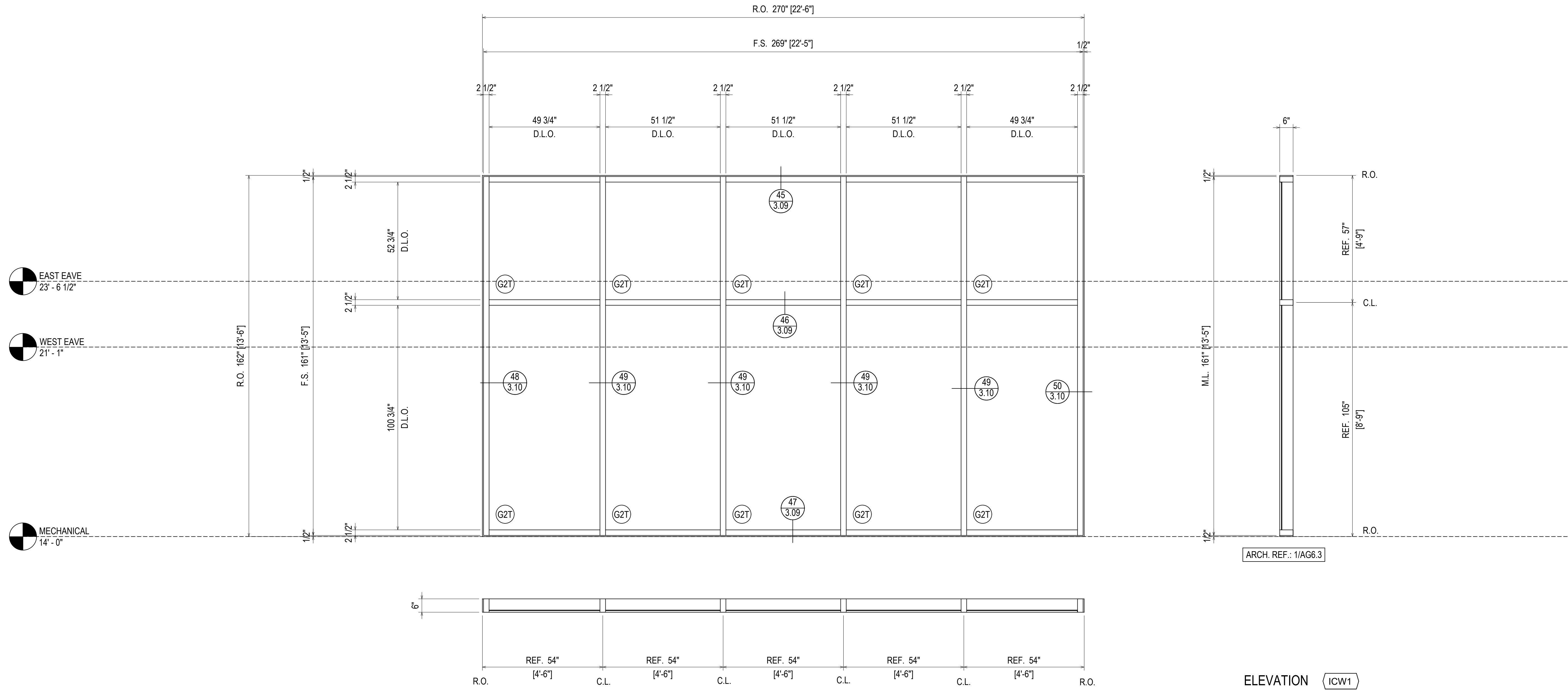
ERECTOR / G.C. NOTE:
PLEASE FIELD VERIFY ALL DIMENSIONS

DATE	4/2/23
DESCRIPTION	1ST FLOOR
REV.	1
NO	
DESCRIPTION	DRAWING SUBMISSION

CLEMSON UNIVERSITY WOMEN'S SPORTS EXPANSION
GYMNASTICS
EAST BEACH DRIVE
CLEMSON, SC 29631

GOLDEN STRIP GLASS
343 MILLER ROAD
MAULDIN, SC 29662
864-297-9889, 864-286-6730 FAX
WWW.GOLDENSTRIPMIRROR.COM

DRAWN BY:	DATE:
CW	02/14/23
CHECKED BY:	DATE:
BP	02/14/23



CLEAR ANODIZED FINISH

ELEVATION ICW1
 SCALE: 1/2" = 1'-0"
 OLDCASTLE B.E. RELIANCE - 2 1/2" X 6"
 INTERIOR CURTAINWALL
 1/4" GLASS (WITH ADAPTOR) (FRONT SET)
 QUANTITY: 1

ARCH. REF.: 1/AG6.3

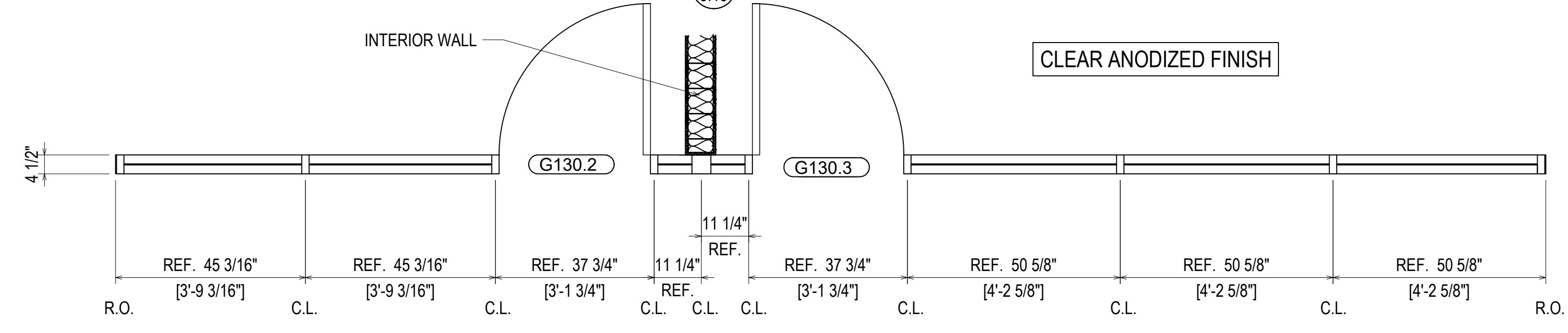
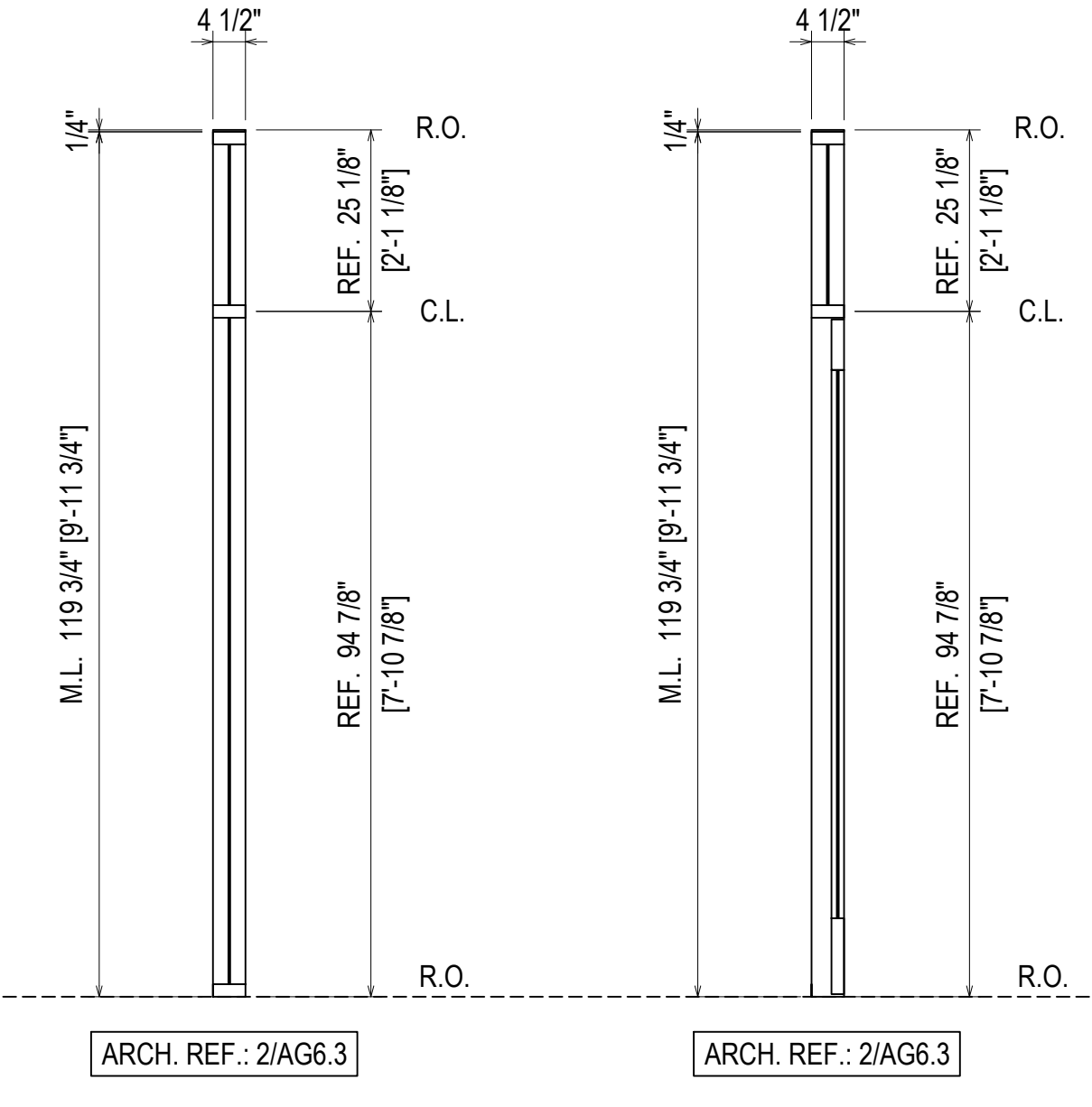
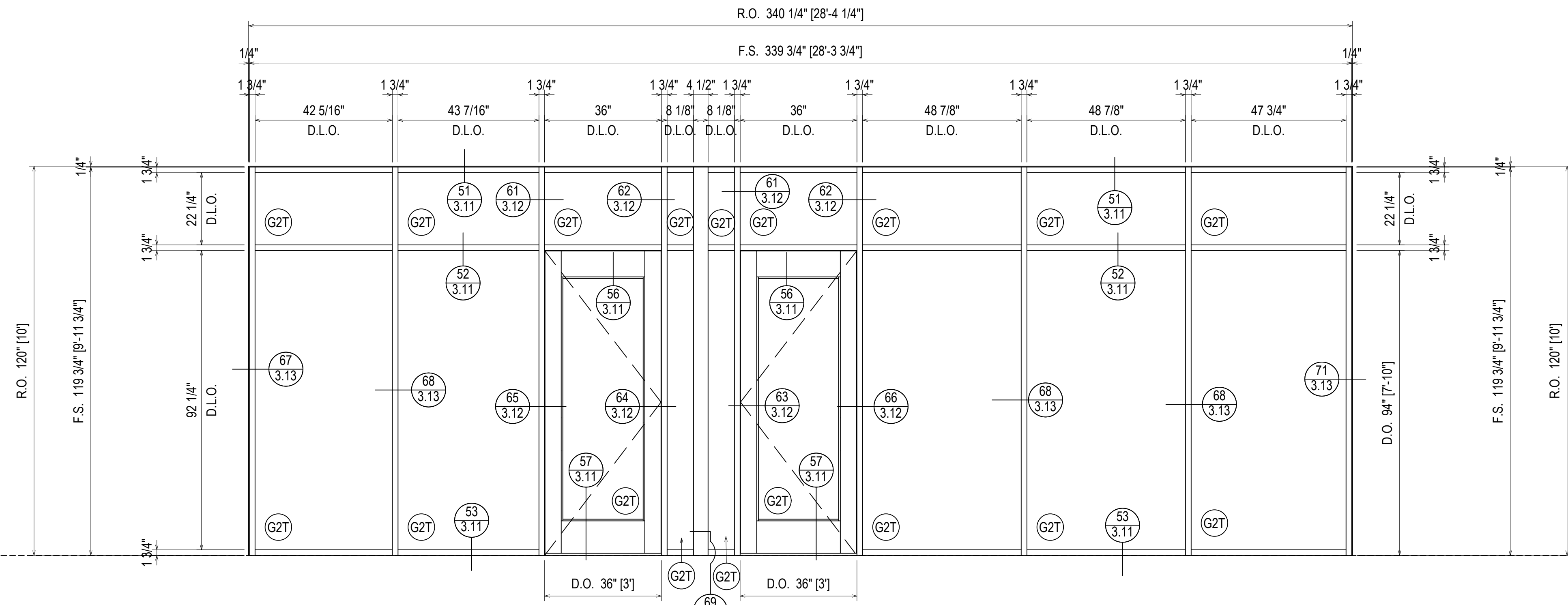
REV.	DESCRIPTION	DATE
1	1ST REVISION	02/23
NO	DESCRIPTION	
	DRAWING SUBMISSION	

CLEMSON UNIVERSITY WOMEN'S SPORTS EXPANSION
GYMNASTICS
 EAST BEACH DRIVE
 CLEMSON, SC 29631

GOLDEN STRIP GLASS
 343 MILLER ROAD
 MAULDIN, SC 29662
 864-297-9889, 864-286-6730 FAX
 WWW.GOLDENSTRIPMIRROR.COM

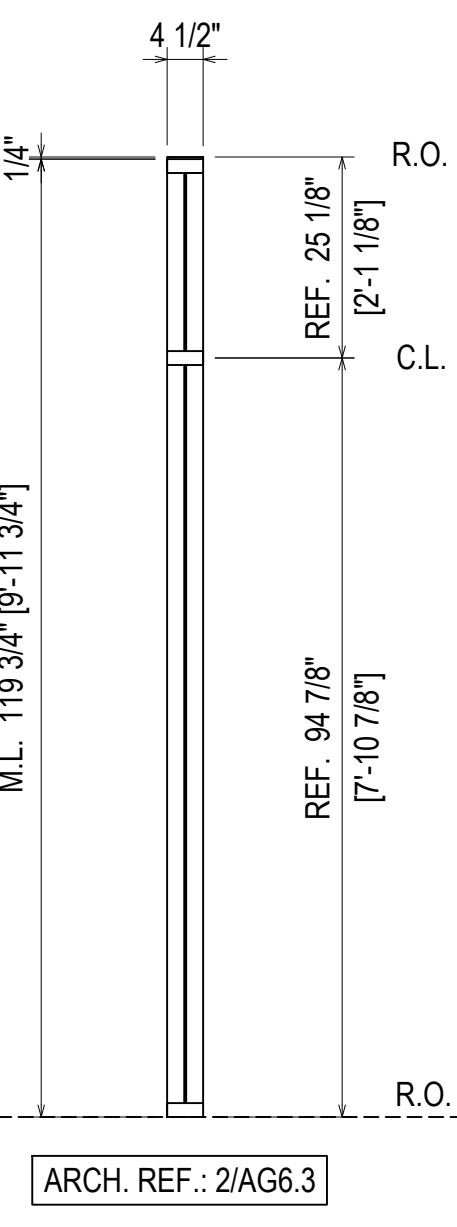
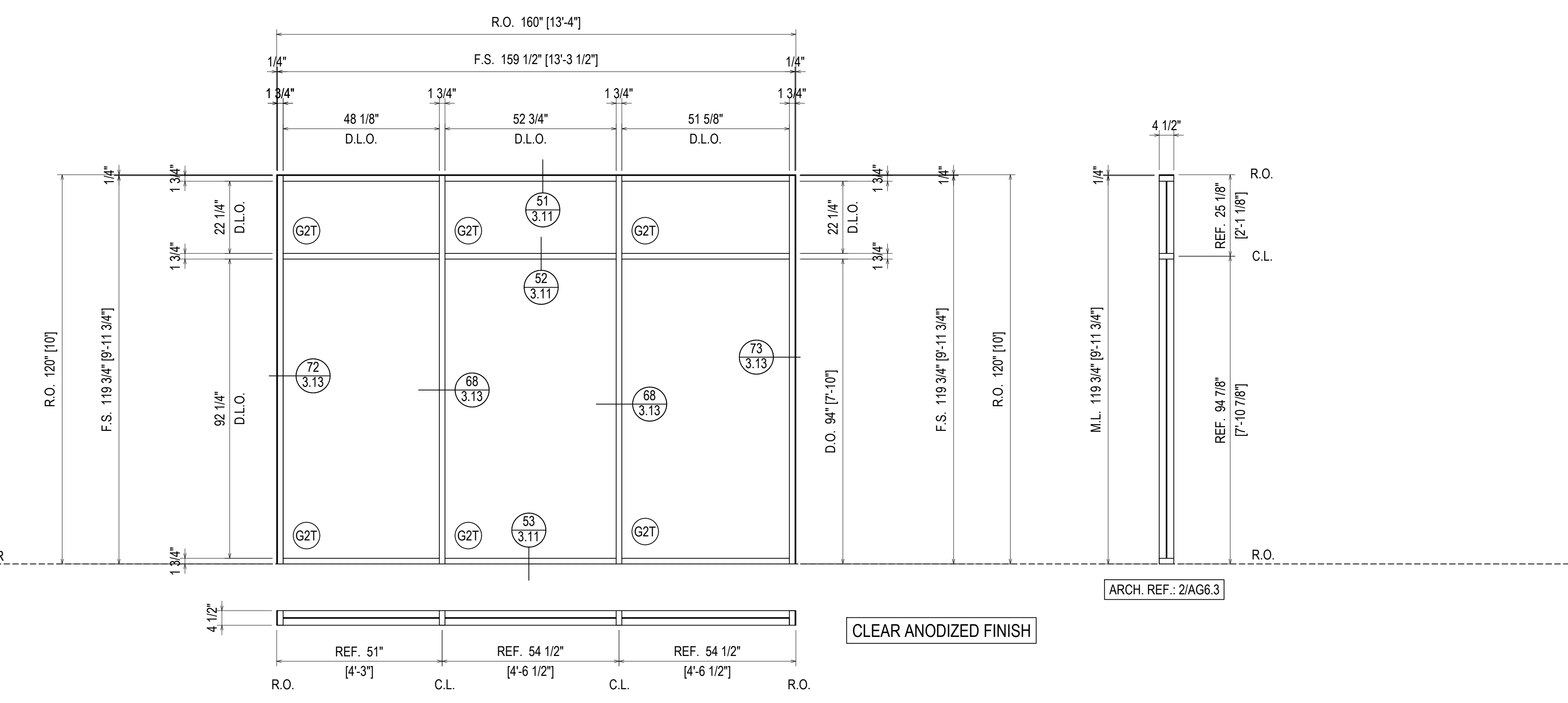
DRAWN BY:	DATE:
CW	02/14/22
CHECKED BY:	DATE:
BP	02/14/23

ERECTOR / G.C. NOTE:
 PLEASE FIELD VERIFY ALL DIMENSIONS



ELEVATION ISF1
 SCALE: 1/2" = 1'-0"
 OLDCASTLE B.E. FG2000 - 1 3/4" X 4 1/2"
 INTERIOR STOREFRONT
 1/4" GLASS (CENTER SET)
 QUANTITY: 1

ELEVATION ISF1A
 SCALE: 1/2" = 1'-0"
 OLDCASTLE B.E. FG2000 - 1 3/4" X 4 1/2"
 INTERIOR STOREFRONT
 1/4" GLASS (CENTER SET)
 QUANTITY: 1



CLEAR ANODIZED FINISH

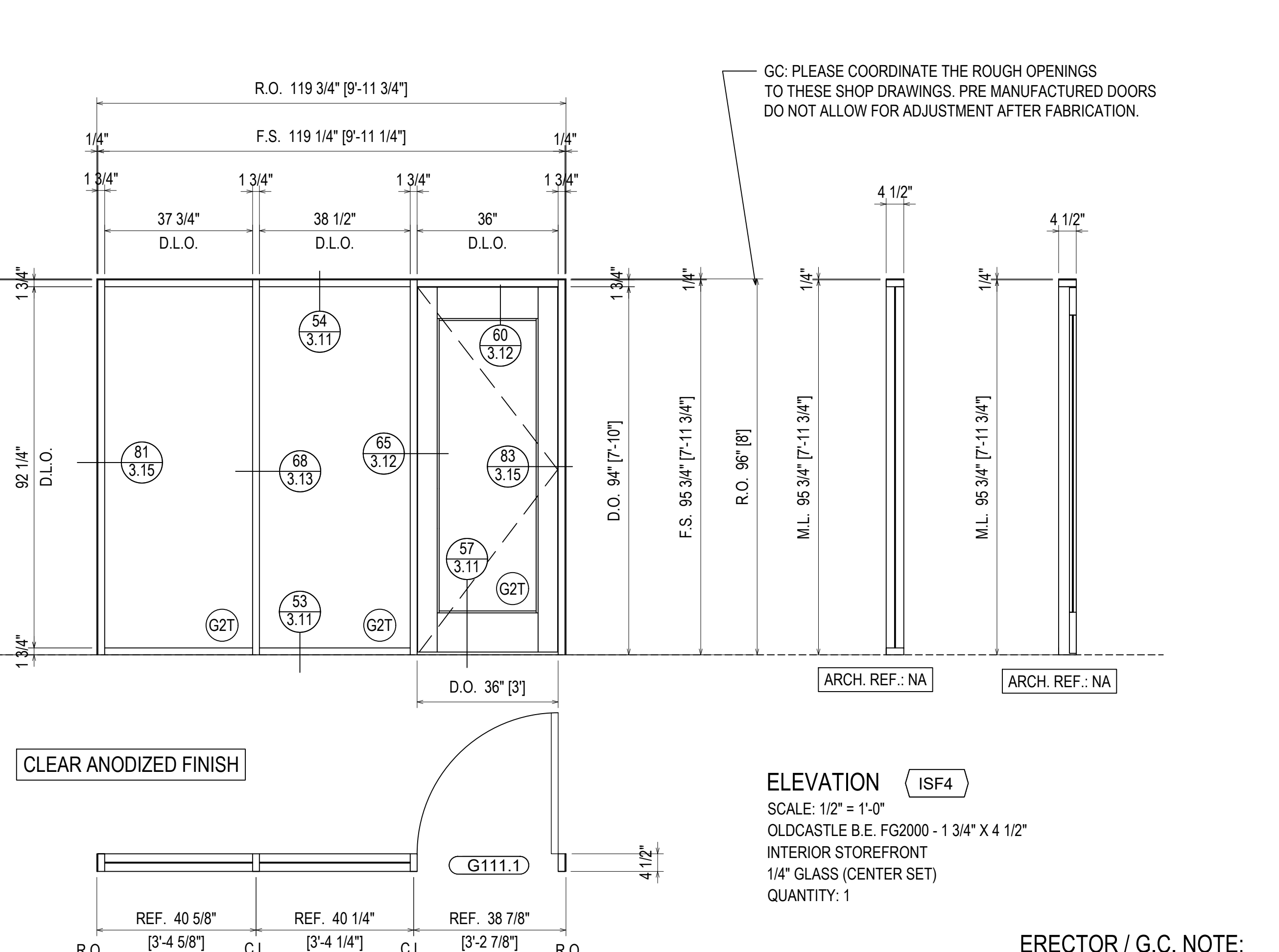
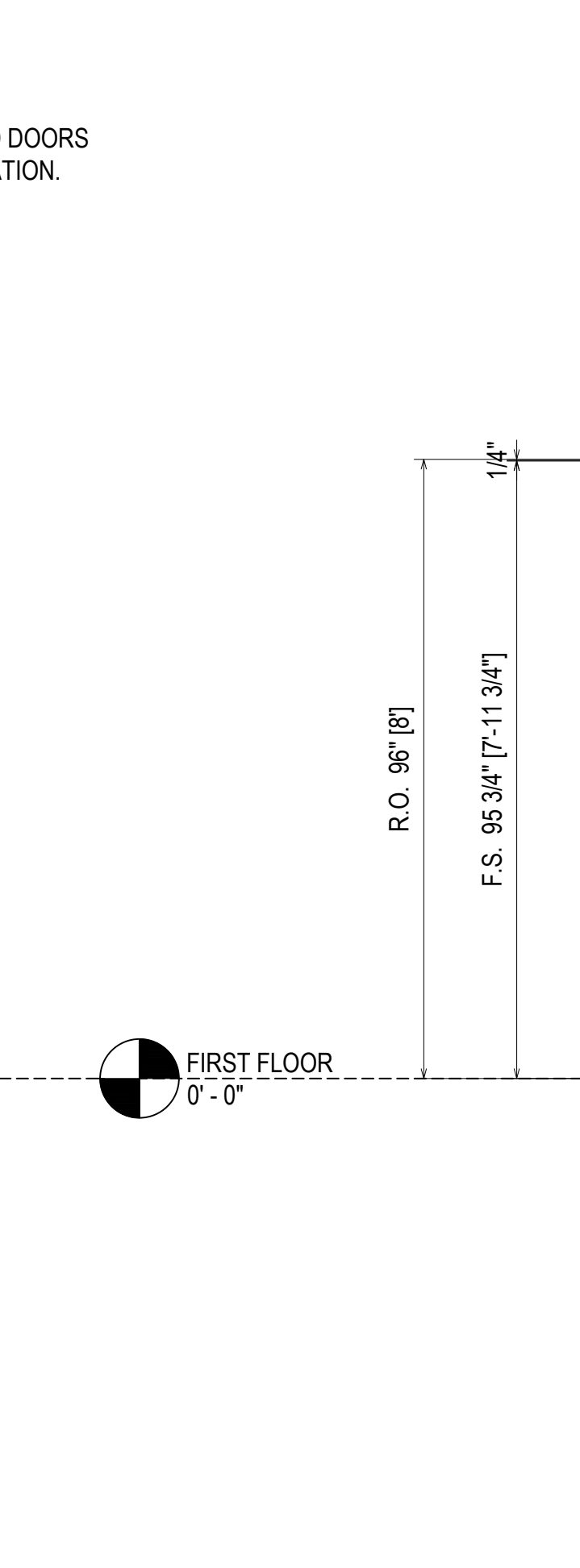
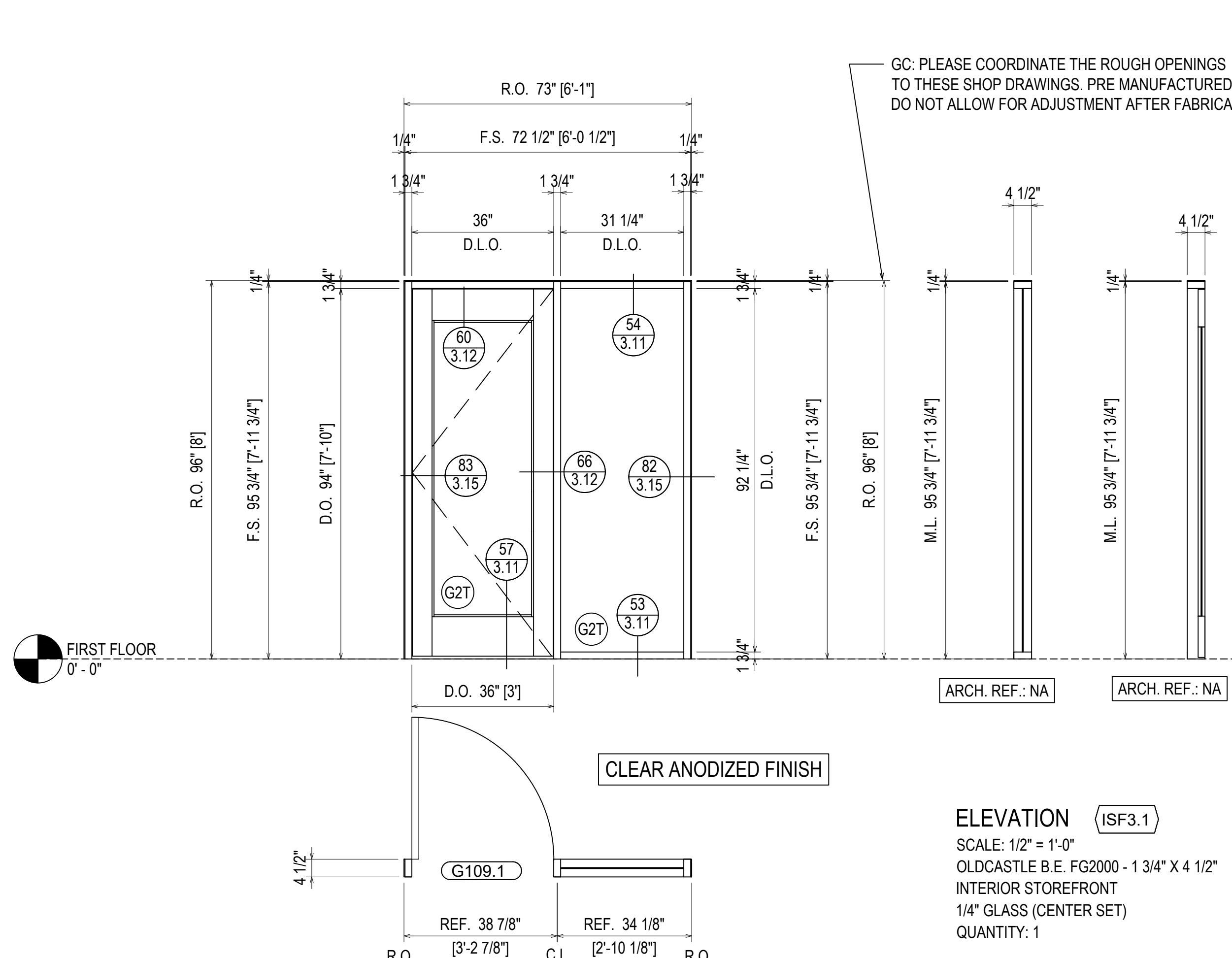
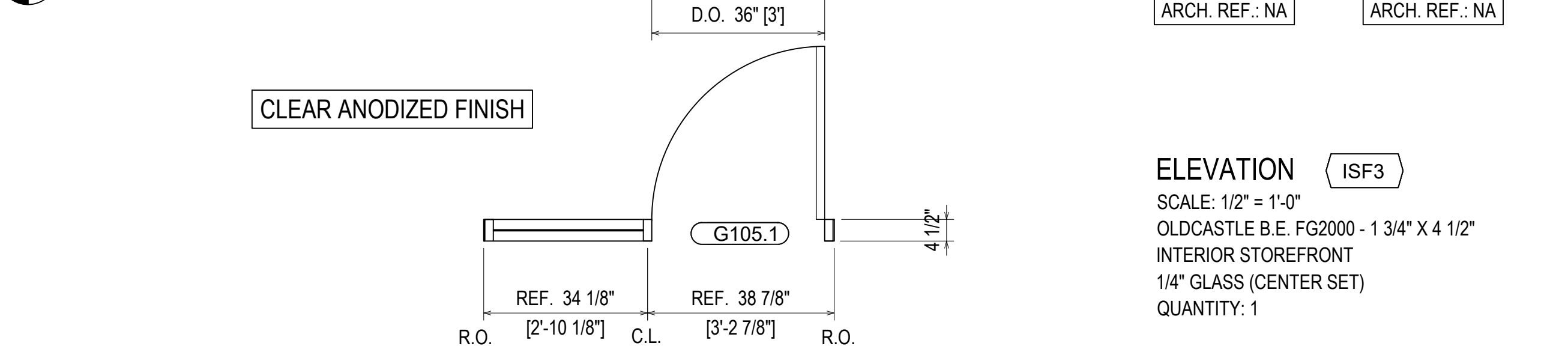
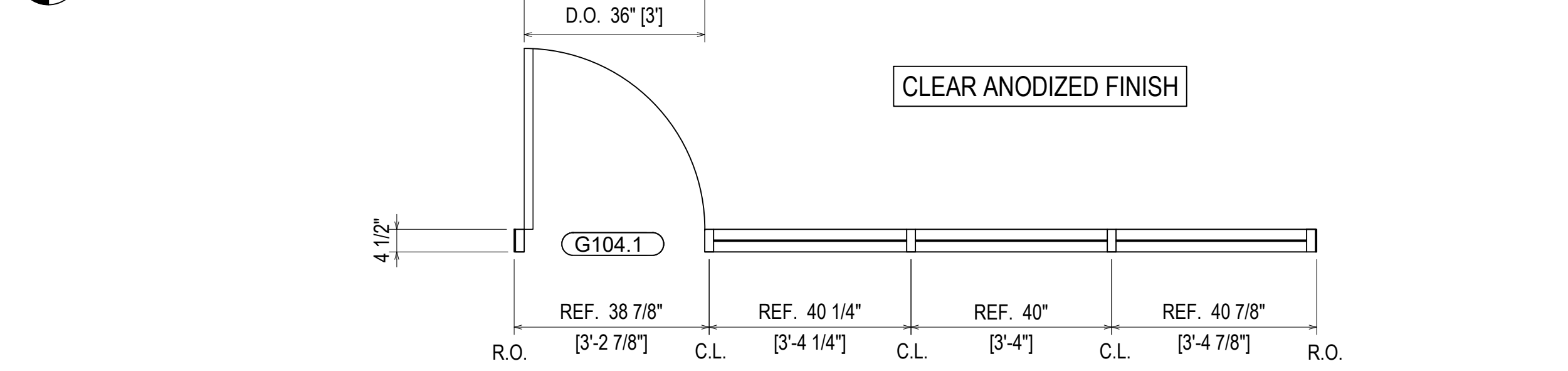
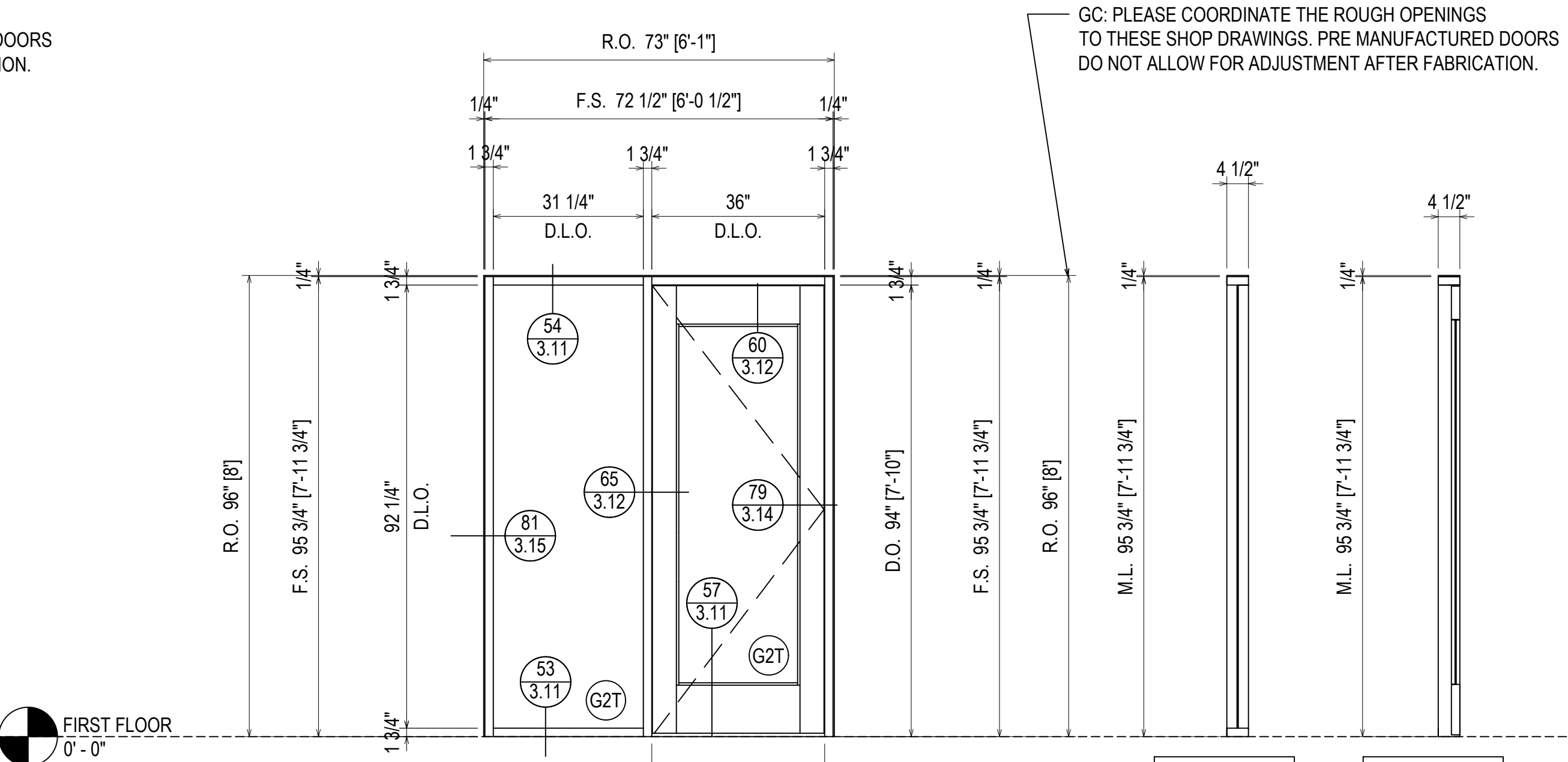
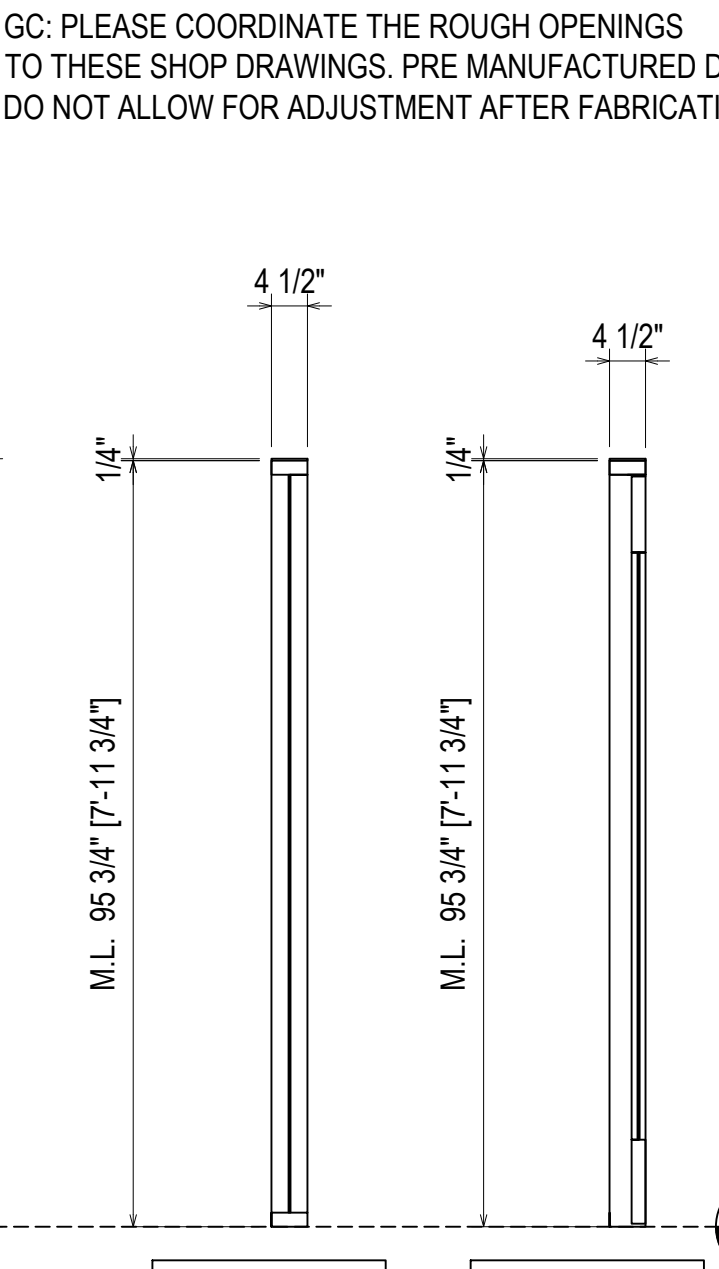
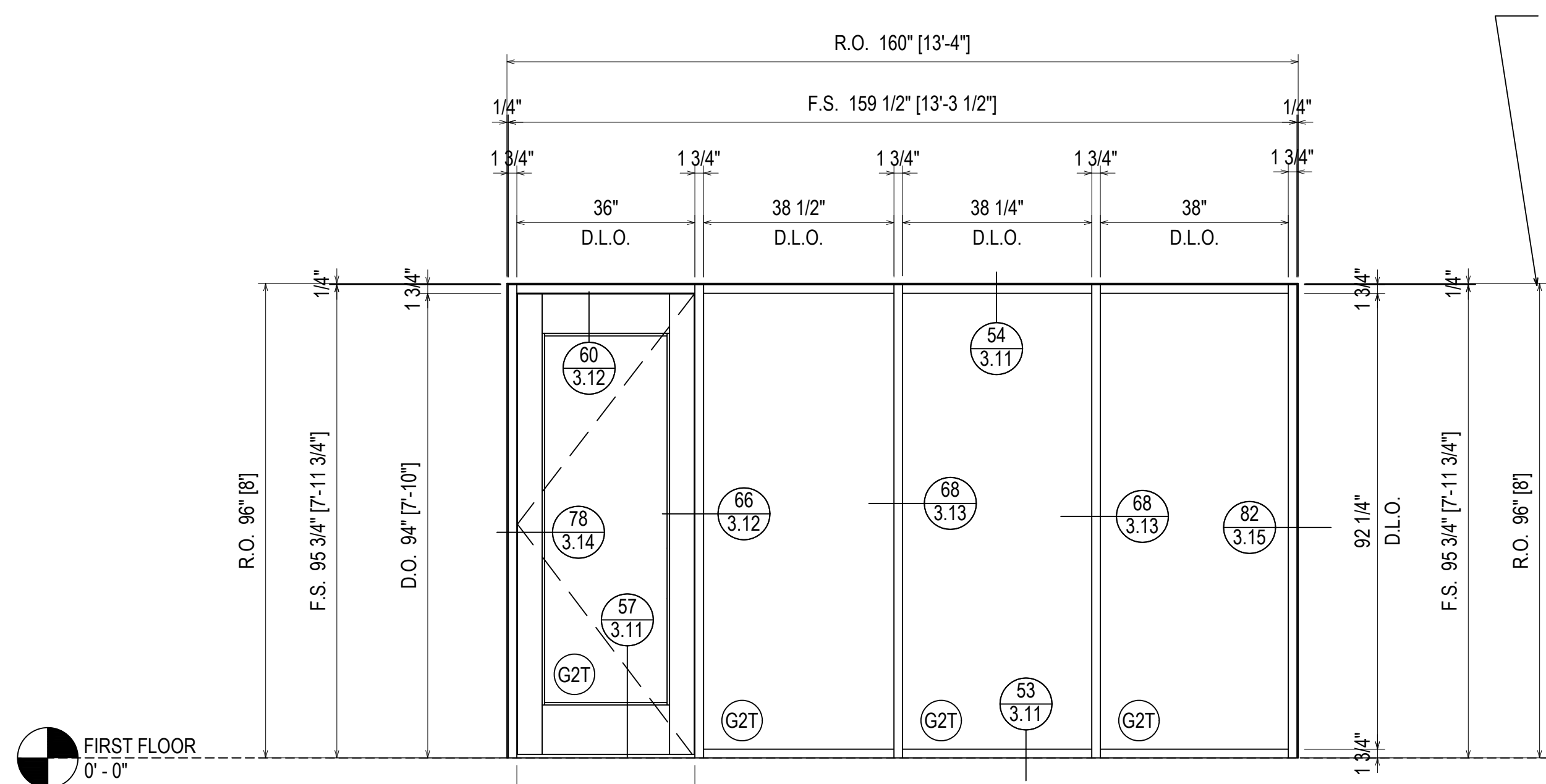
ERECTOR / G.C. NOTE:
 PLEASE FIELD VERIFY ALL DIMENSIONS

REV.	DESCRIPTION	DATE
1	1ST REVISION	02/23
NO	DESCRIPTION	
	DRAWING SUBMISSION	

CLEMSON UNIVERSITY WOMEN'S SPORTS EXPANSION
GYMNASTICS
 EAST BEACH DRIVE
 CLEMSON, SC 29631

GOLDEN STRIP GLASS
 343 MILLER ROAD
 MAULDIN, SC 29662
 864-297-9889, 864-286-6730 FAX
 WWW.GOLDENSTRIPMIRROR.COM

DRAWN BY:	DATE:
CW	02/14/22
CHECKED BY:	DATE:
BP	02/14/23



ELEVATION ISF2
 SCALE: 1/2" = 1'-0"
 OLDCASTLE B.E. FG2000 - 1 3/4" X 4 1/2"
 INTERIOR STOREFRONT
 1/4" GLASS (CENTER SET)
 QUANTITY: 1

ELEVATION ISF3
 SCALE: 1/2" = 1'-0"
 OLDCASTLE B.E. FG2000 - 1 3/4" X 4 1/2"
 INTERIOR STOREFRONT
 1/4" GLASS (CENTER SET)
 QUANTITY: 1

ELEVATION ISF3.1
 SCALE: 1/2" = 1'-0"
 OLDCASTLE B.E. FG2000 - 1 3/4" X 4 1/2"
 INTERIOR STOREFRONT
 1/4" GLASS (CENTER SET)
 QUANTITY: 1

ELEVATION ISF4
 SCALE: 1/2" = 1'-0"
 OLDCASTLE B.E. FG2000 - 1 3/4" X 4 1/2"
 INTERIOR STOREFRONT
 1/4" GLASS (CENTER SET)
 QUANTITY: 1

ERECTOR / G.C. NOTE:
 PLEASE FIELD VERIFY ALL DIMENSIONS

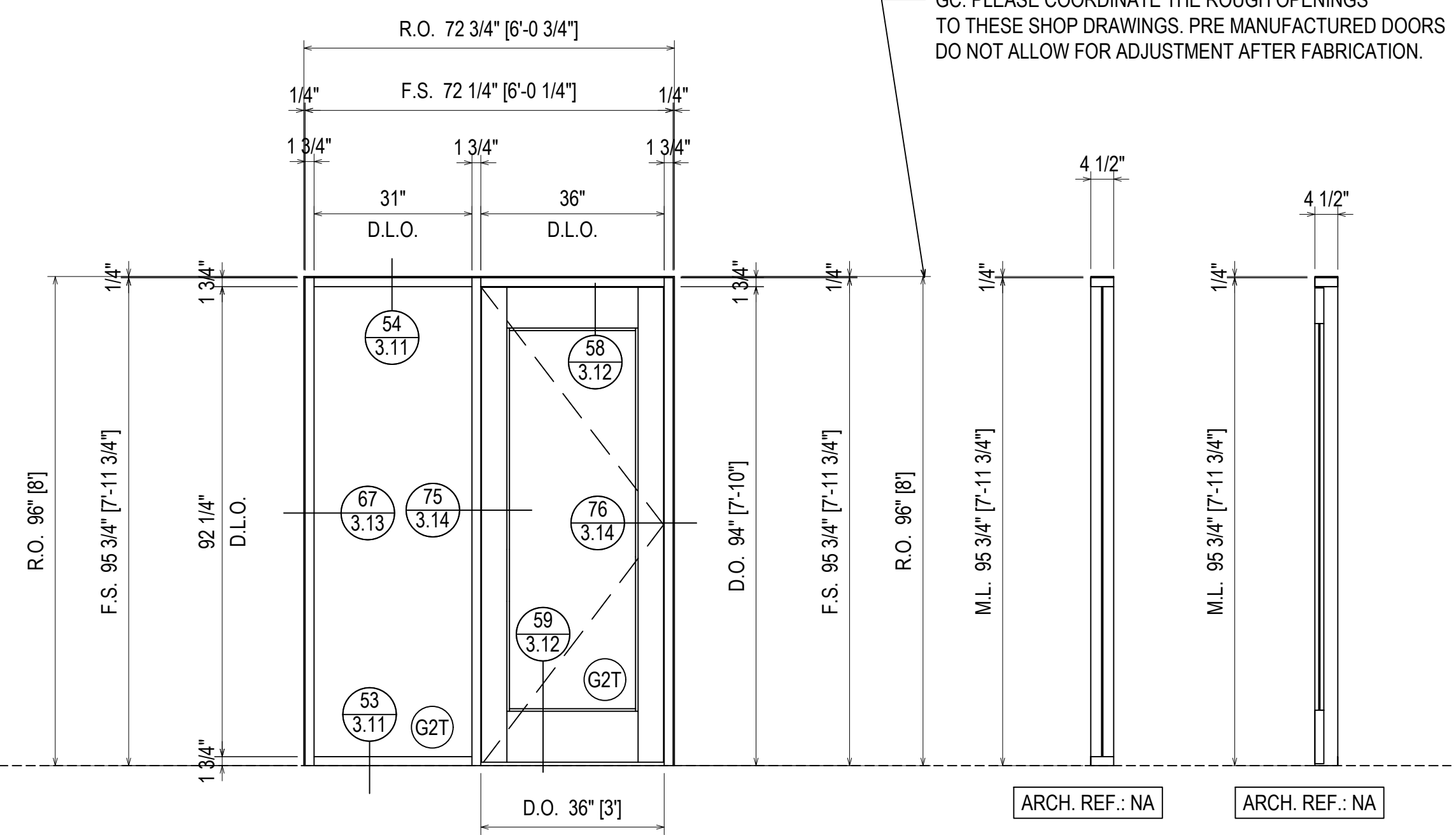
DATE	02/23
DESCRIPTION	1ST REVISION
REV.	NO
NO	
DESCRIPTION	DRAWING SUBMISSION

CLEMSON UNIVERSITY WOMEN'S SPORTS EXPANSION
GYMNASTICS
 EAST BEACH DRIVE
 CLEMSON, SC 29631

GOLDEN STRIP GLASS
 343 MILLER ROAD
 MAULDIN, SC 29662
 864-297-9889, 864-286-6730 FAX
 WWW.GOLDENSTRIPMIRROR.COM

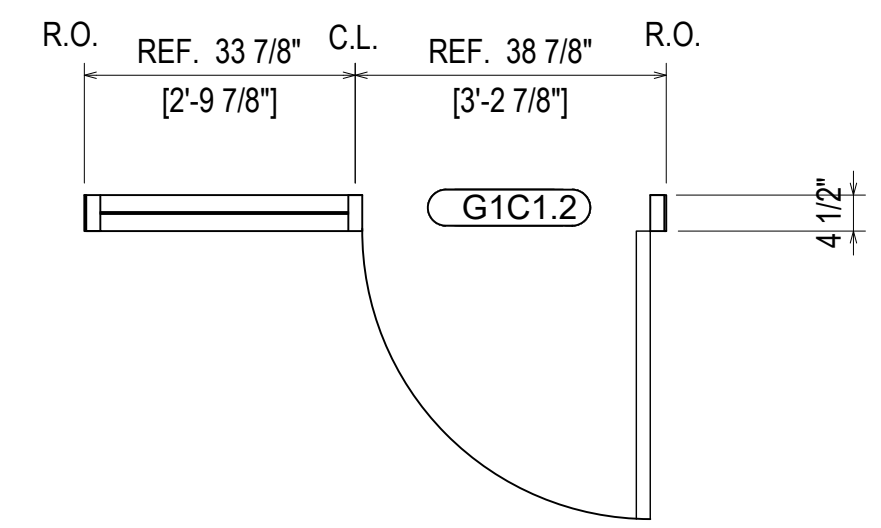
DRAWN BY:	DATE:
GW	02/14/22
CHECKED BY:	DATE:
BP	02/14/22

FIRST FLOOR
0'-0"



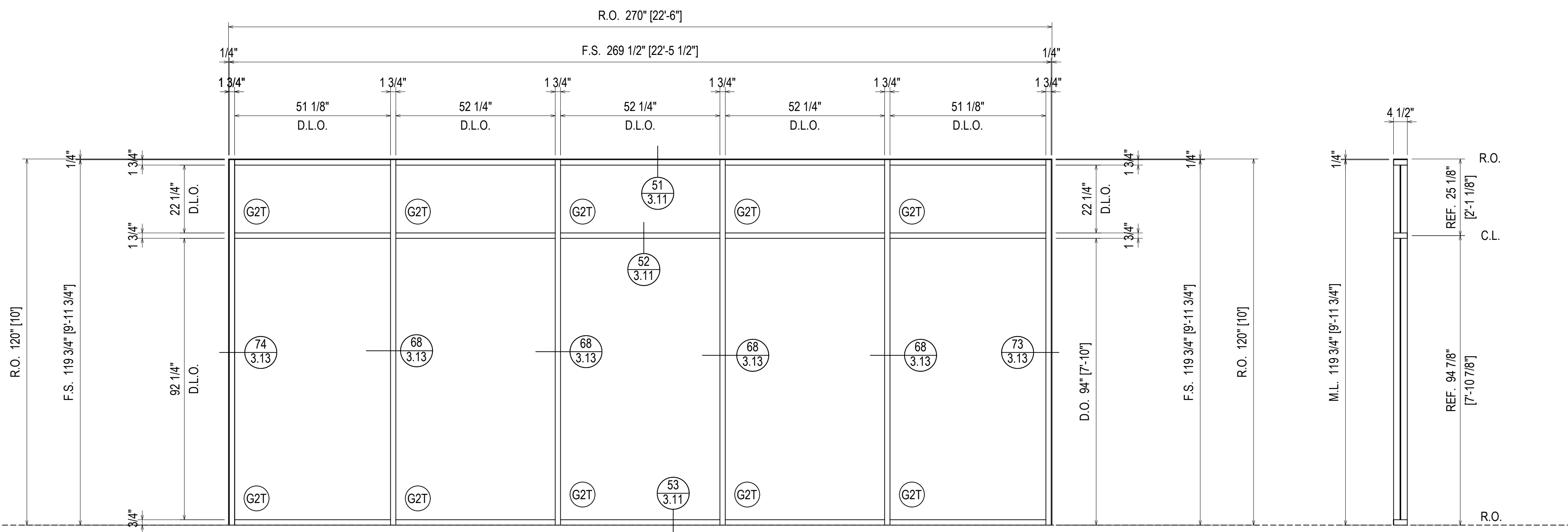
GC: PLEASE COORDINATE THE ROUGH OPENINGS TO THESE SHOP DRAWINGS. PRE MANUFACTURED DOORS DO NOT ALLOW FOR ADJUSTMENT AFTER FABRICATION.

CLEAR ANODIZED FINISH

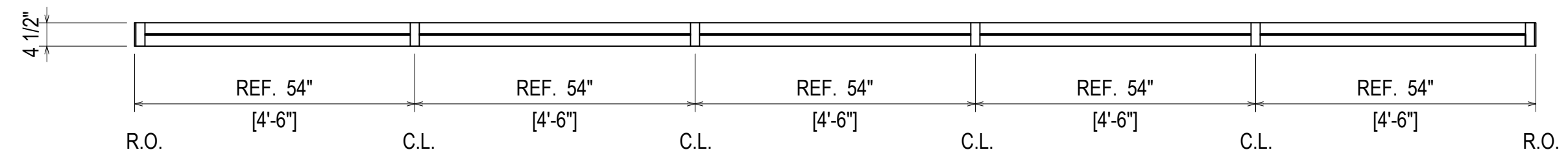


ELEVATION ISF5
SCALE: 1/2" = 1'-0"
OLDCASTLE B.E. FG2000 - 1 3/4" X 4 1/2"
INTERIOR STOREFRONT
1/4" GLASS (CENTER SET)
QUANTITY: 1

FIRST FLOOR
0'-0"



CLEAR ANODIZED FINISH



ELEVATION ISF6A
SCALE: 1/2" = 1'-0"
OLDCASTLE B.E. FG2000 - 1 3/4" X 4 1/2"
INTERIOR STOREFRONT
1/4" GLASS (CENTER SET)
QUANTITY: 1

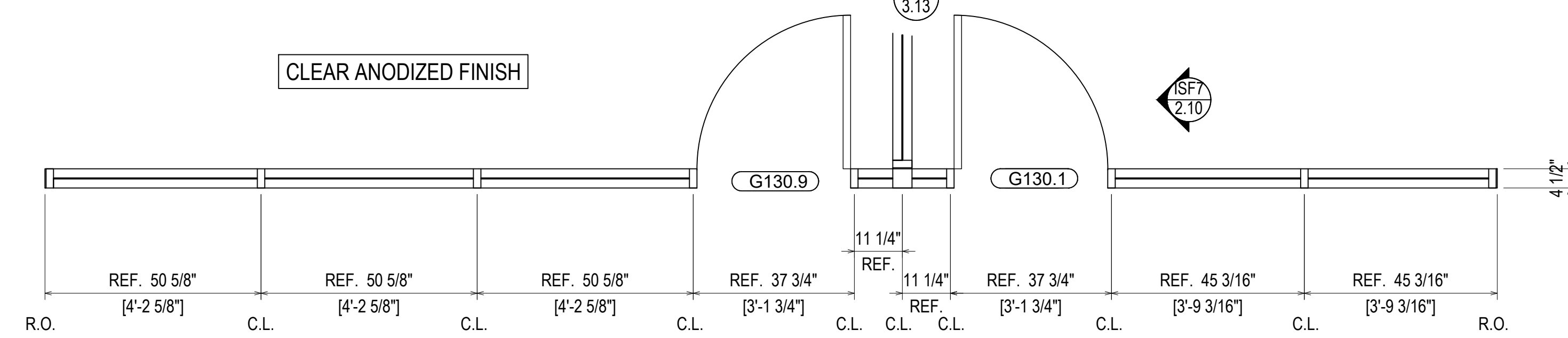
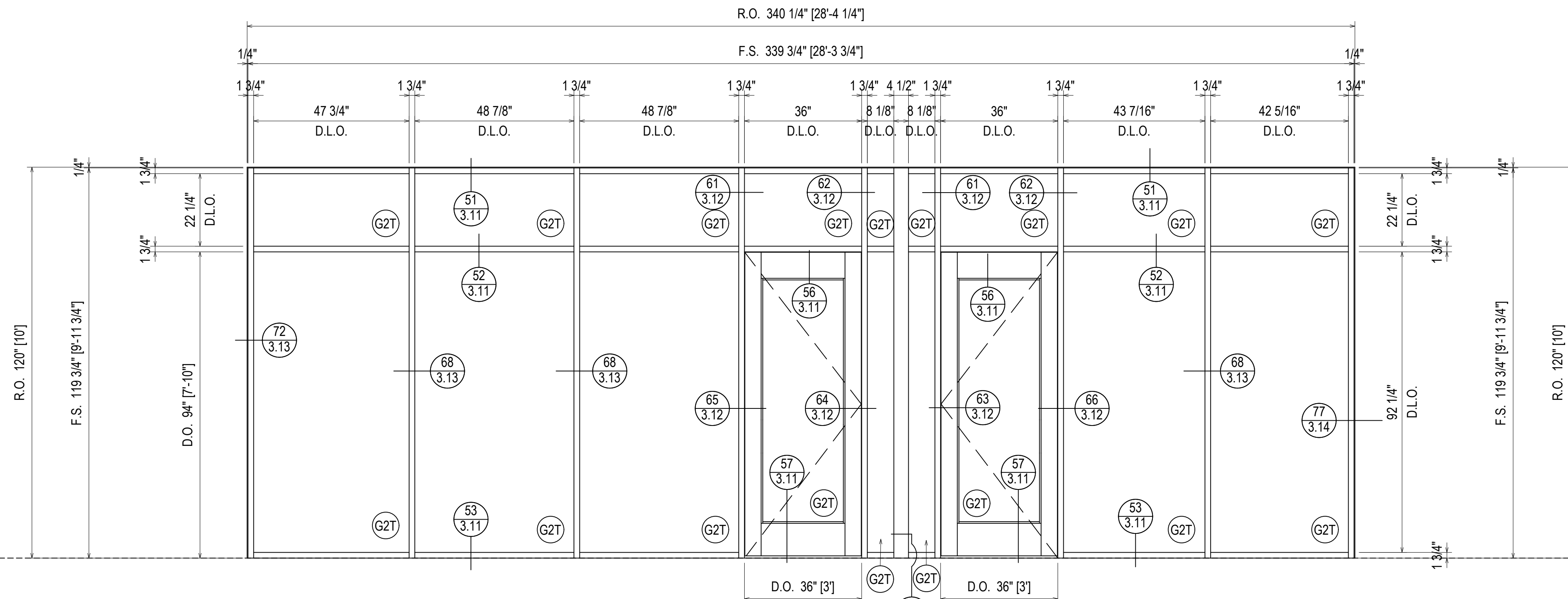
REV.	NO	DESCRIPTION	DATE
1		1ST REVISION	02/23
NO		DESCRIPTION	
		DRAWING SUBMISSION	

CLEMSON UNIVERSITY WOMEN'S SPORTS EXPANSION
GYMNASTICS
EAST BEACH DRIVE
CLEMSON, SC 29631

GOLDEN STRIP GLASS
343 MILLER ROAD
MAULDIN, SC 29662
864-297-9889, 864-286-6730 FAX
WWW.GOLDENSTRIPMIRROR.COM

DRAWN BY:	DATE:
CW	02/14/23
CHECKED BY:	DATE:
BP	02/14/23

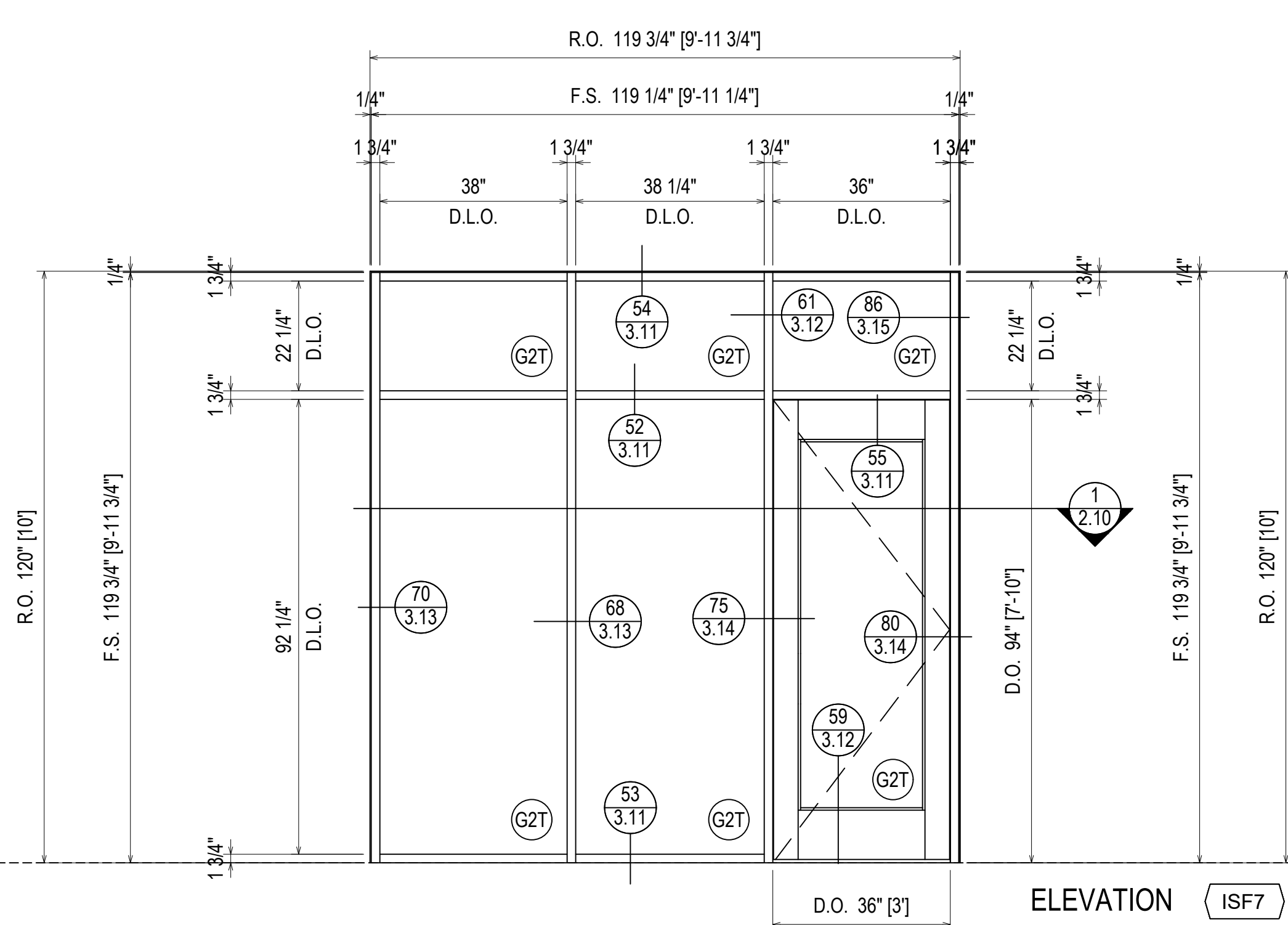
ERECTOR / G.C. NOTE:
PLEASE FIELD VERIFY ALL DIMENSIONS



ELEVATION ISF6
 SCALE: 1/2" = 1'-0"
 OLDCASTLE B.E. FG2000 - 1 3/4" X 4 1/2"
 INTERIOR STOREFRONT
 1/4" GLASS (CENTER SET)
 QUANTITY: 1

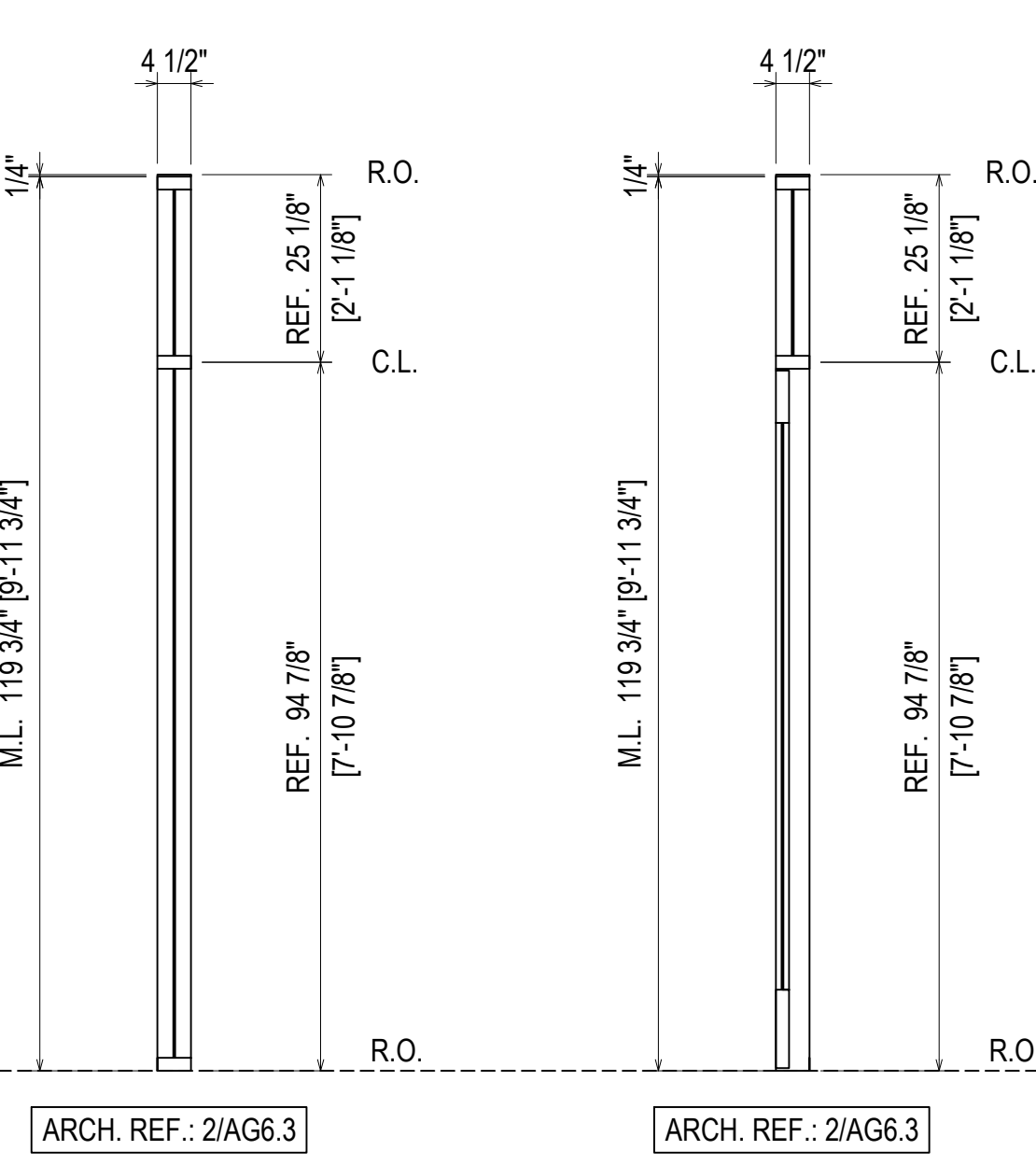
ARCH. REF.: 2/AG6.3

ARCH. REF.: 2/AG6.3



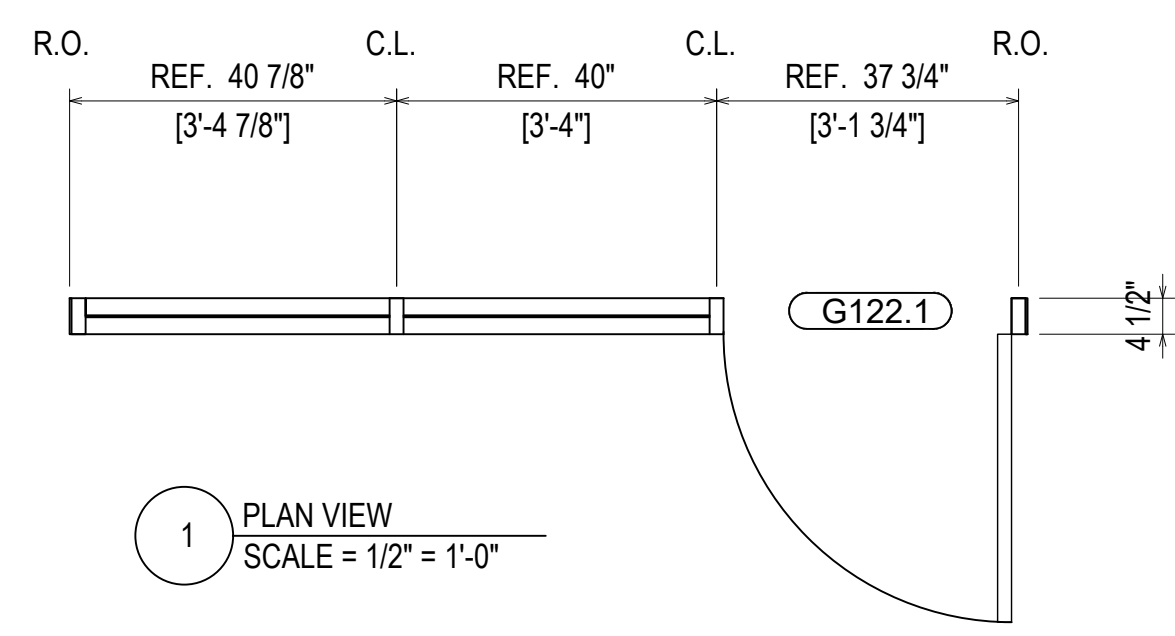
CLEAR ANODIZED FINISH

ELEVATION ISF7
 SCALE: 1/2" = 1'-0"
 OLDCASTLE B.E. FG2000 - 1 3/4" X 4 1/2"
 INTERIOR STOREFRONT
 1/4" GLASS (CENTER SET)
 QUANTITY: 1



ARCH. REF.: 2/AG6.3

ARCH. REF.: 2/AG6.3



1 PLAN VIEW
 SCALE = 1/2" = 1'-0"

ERECTOR / G.C. NOTE:
 PLEASE FIELD VERIFY ALL DIMENSIONS

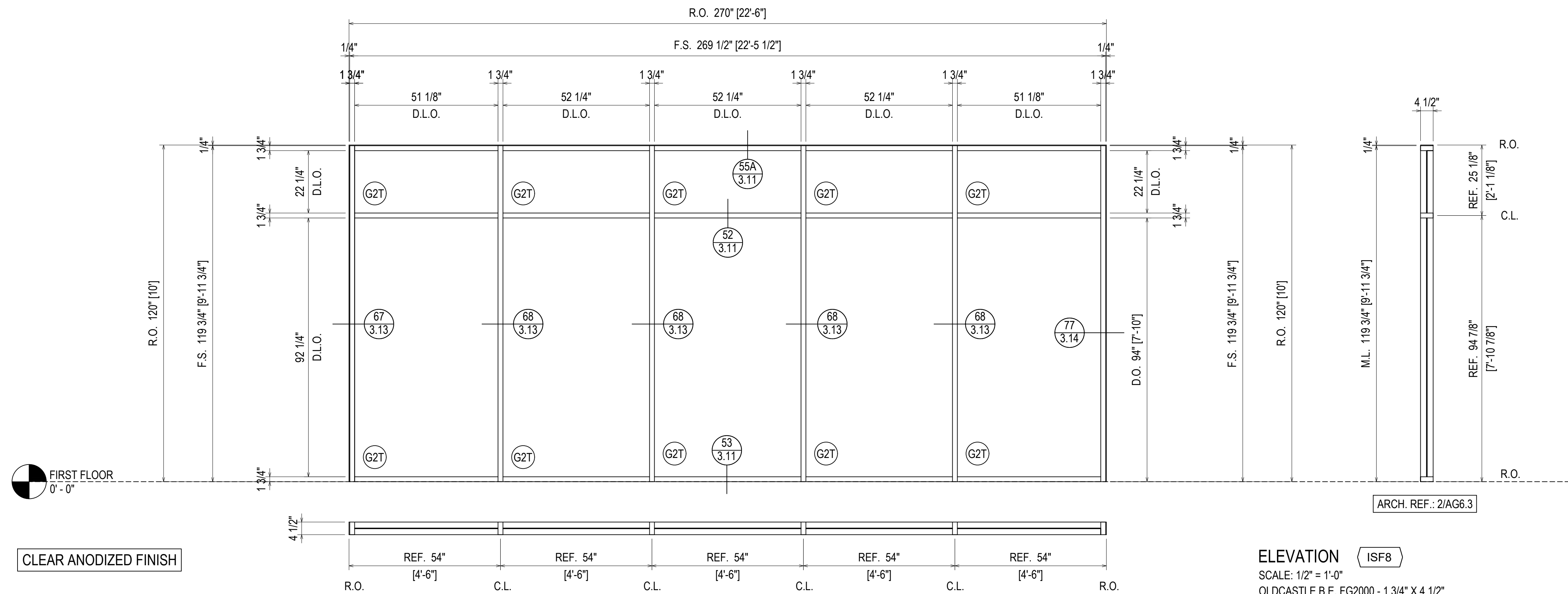
REV.	DESCRIPTION	DATE
1	1ST REVISION	02/23
NO	DESCRIPTION	
	DRAWING SUBMISSION	

CLEMSON UNIVERSITY WOMEN'S SPORTS EXPANSION
GYMNASTICS
 EAST BEACH DRIVE
 CLEMSON, SC 29631

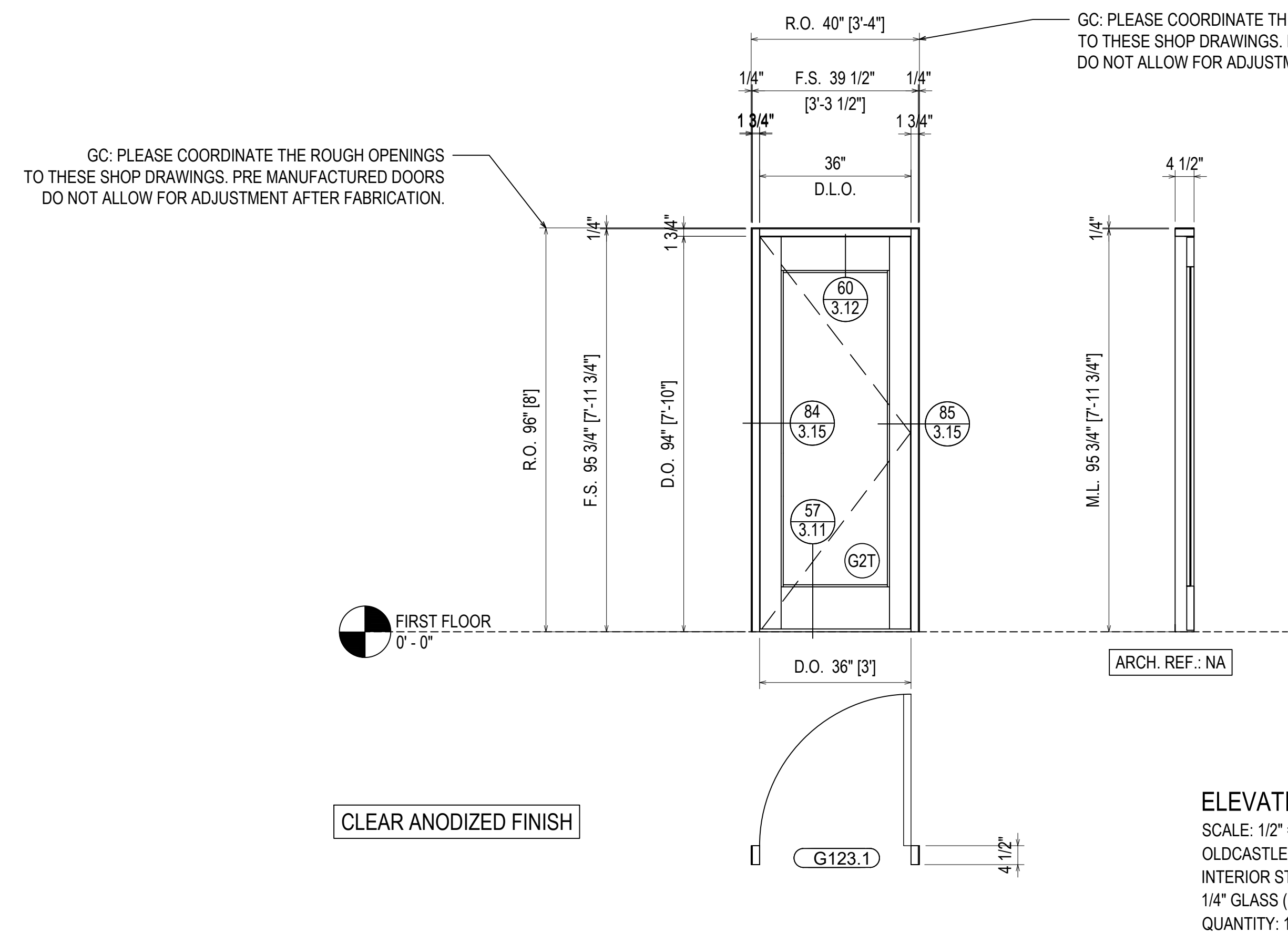
GOLDEN STRIP GLASS
 343 MILLER ROAD
 MAULDIN, SC 29662
 864-297-9889, 864-286-6730 FAX
 WWW.GOLDENSTRIPMIRROR.COM

DRAWN BY:	DATE:
CW	02/14/22
CHECKED BY:	DATE:
BP	02/14/23

2.10



ELEVATION ISF8
 SCALE: 1/2" = 1'-0"
 OLDCASTLE B.E. FG2000 - 1 3/4" X 4 1/2"
 INTERIOR STOREFRONT
 1/4" GLASS (CENTER SET)
 QUANTITY: 1



ELEVATION ISF9
 SCALE: 1/2" = 1'-0"
 OLDCASTLE B.E. FG2000 - 1 3/4" X 4 1/2"
 INTERIOR STOREFRONT
 1/4" GLASS (CENTER SET)
 QUANTITY: 1

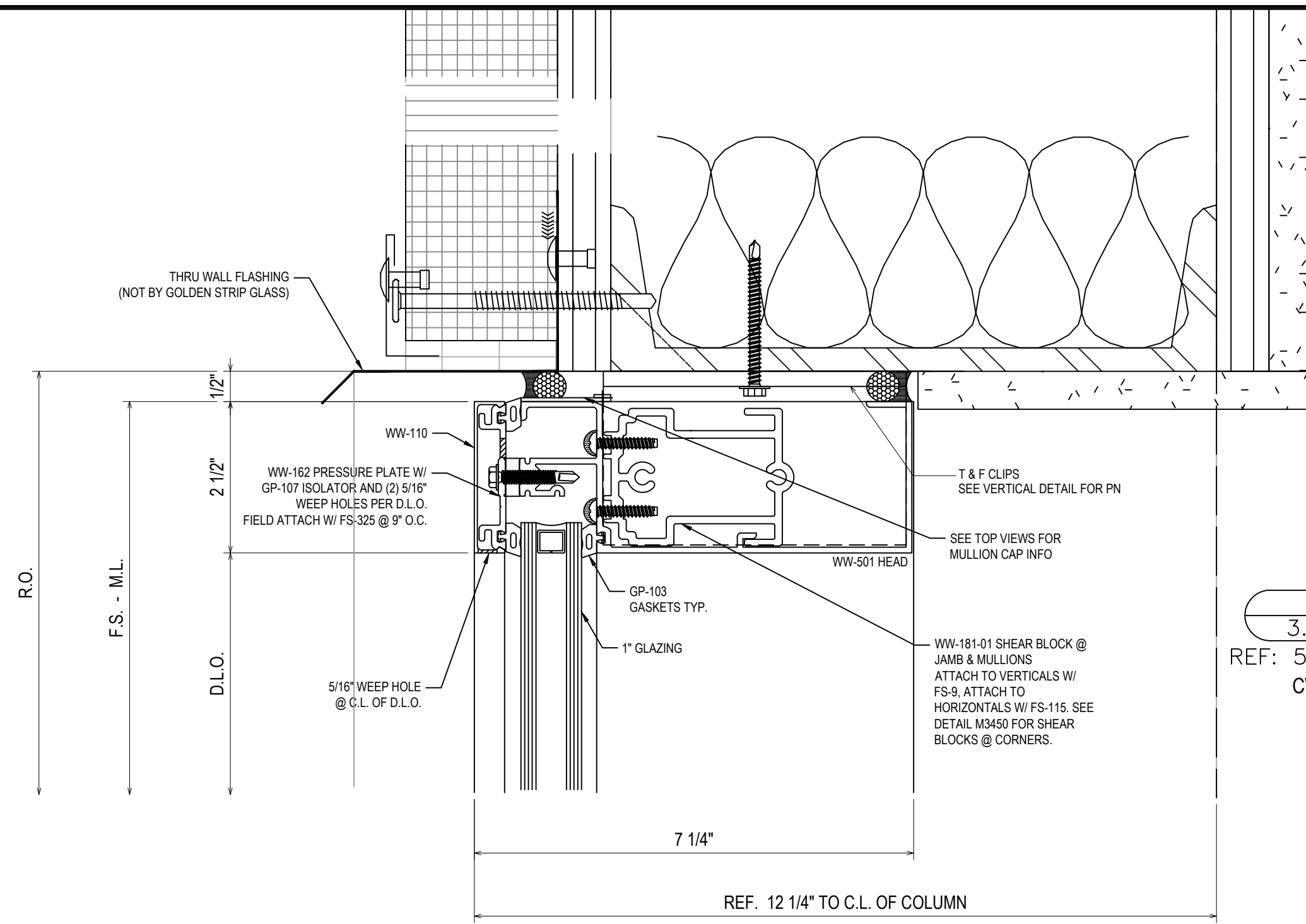
REV.	DESCRIPTION	DATE
1	1ST REVISION	02/23
NO	DESCRIPTION	
	DRAWING SUBMISSION	

CLEMSON UNIVERSITY WOMEN'S SPORTS EXPANSION
GYMNASTICS
 EAST BEACH DRIVE
 CLEMSON, SC 29631

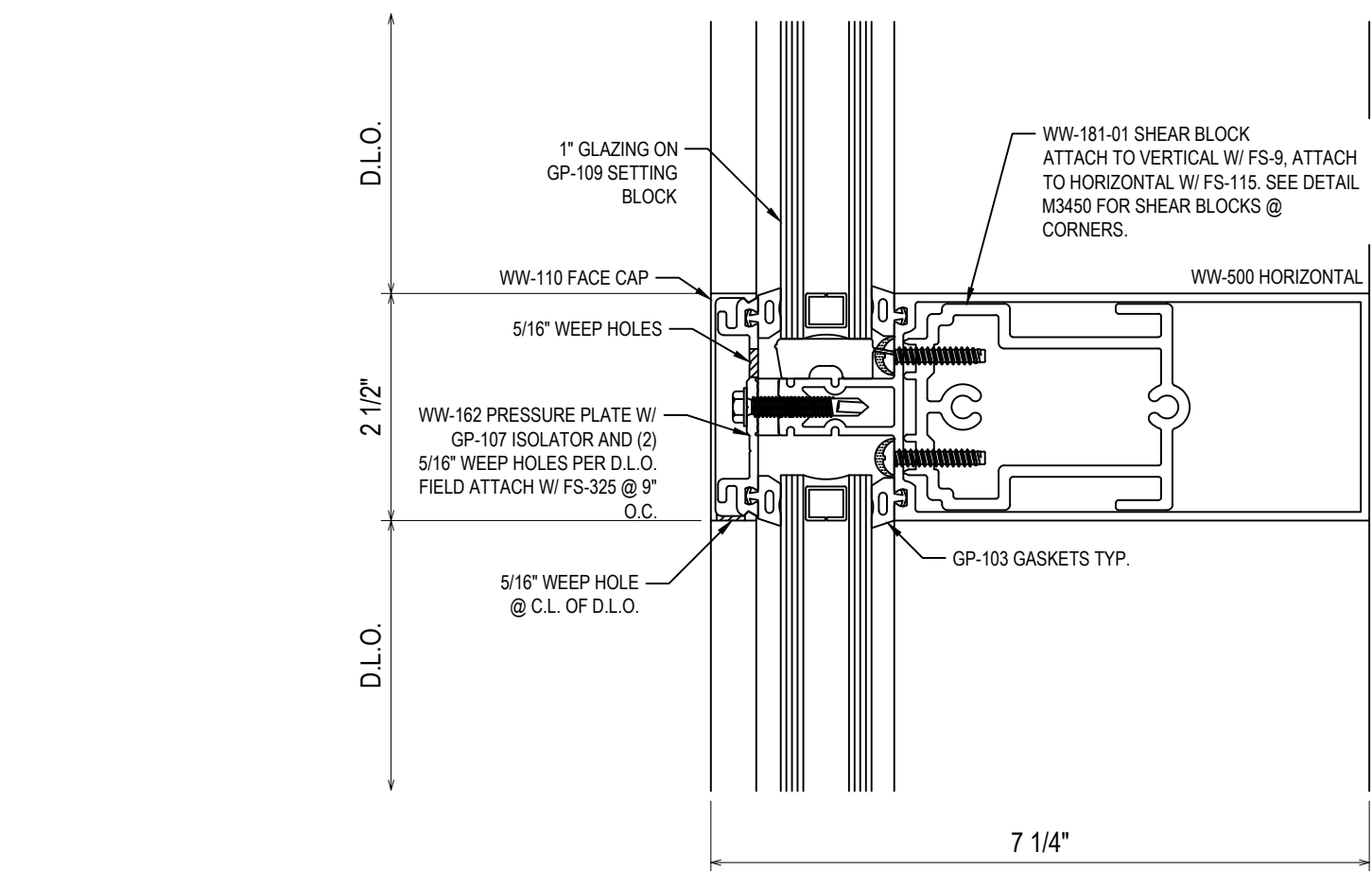
GOLDEN STRIP GLASS
 343 MILLER ROAD
 MAULDIN, SC 29662
 864-297-9889, 864-286-6730 FAX
 WWW.GOLDENSTRIPMIRROR.COM

DRAWN BY:	DATE:
CW	02/14/23
CHECKED BY:	DATE:
BP	02/14/23

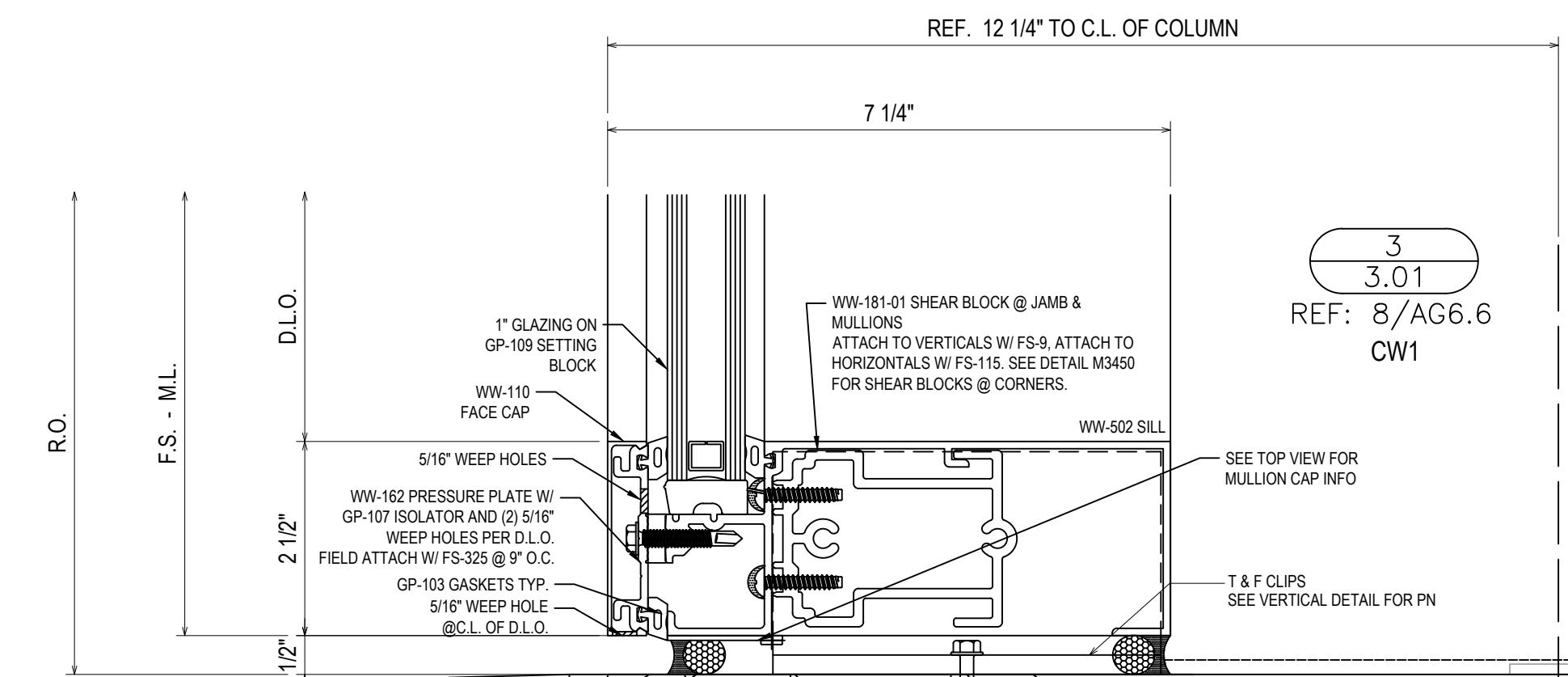
ERECTOR / G.C. NOTE:
 PLEASE FIELD VERIFY ALL DIMENSIONS



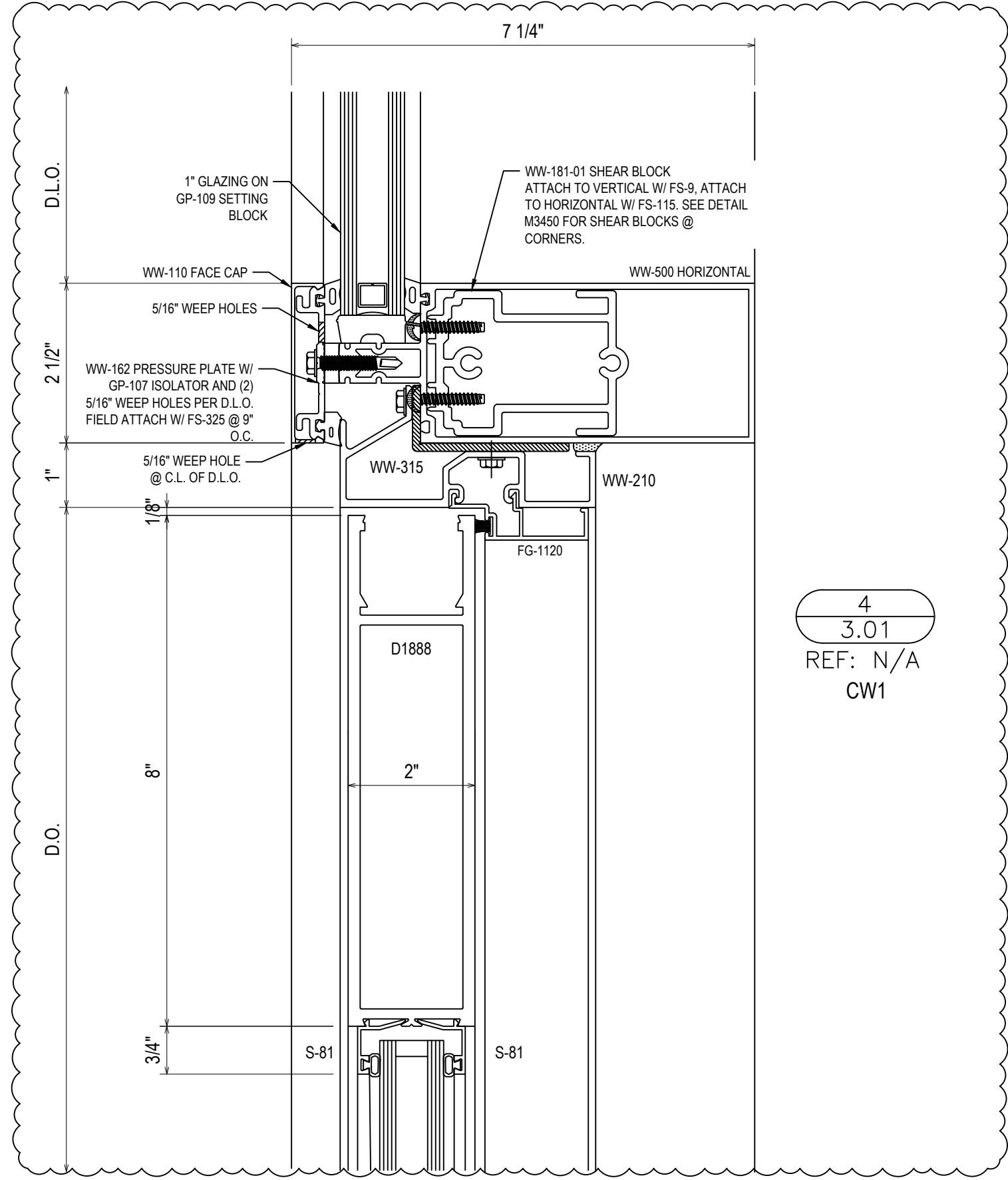
1
3.01
REF: 5/AG6.6
CW1



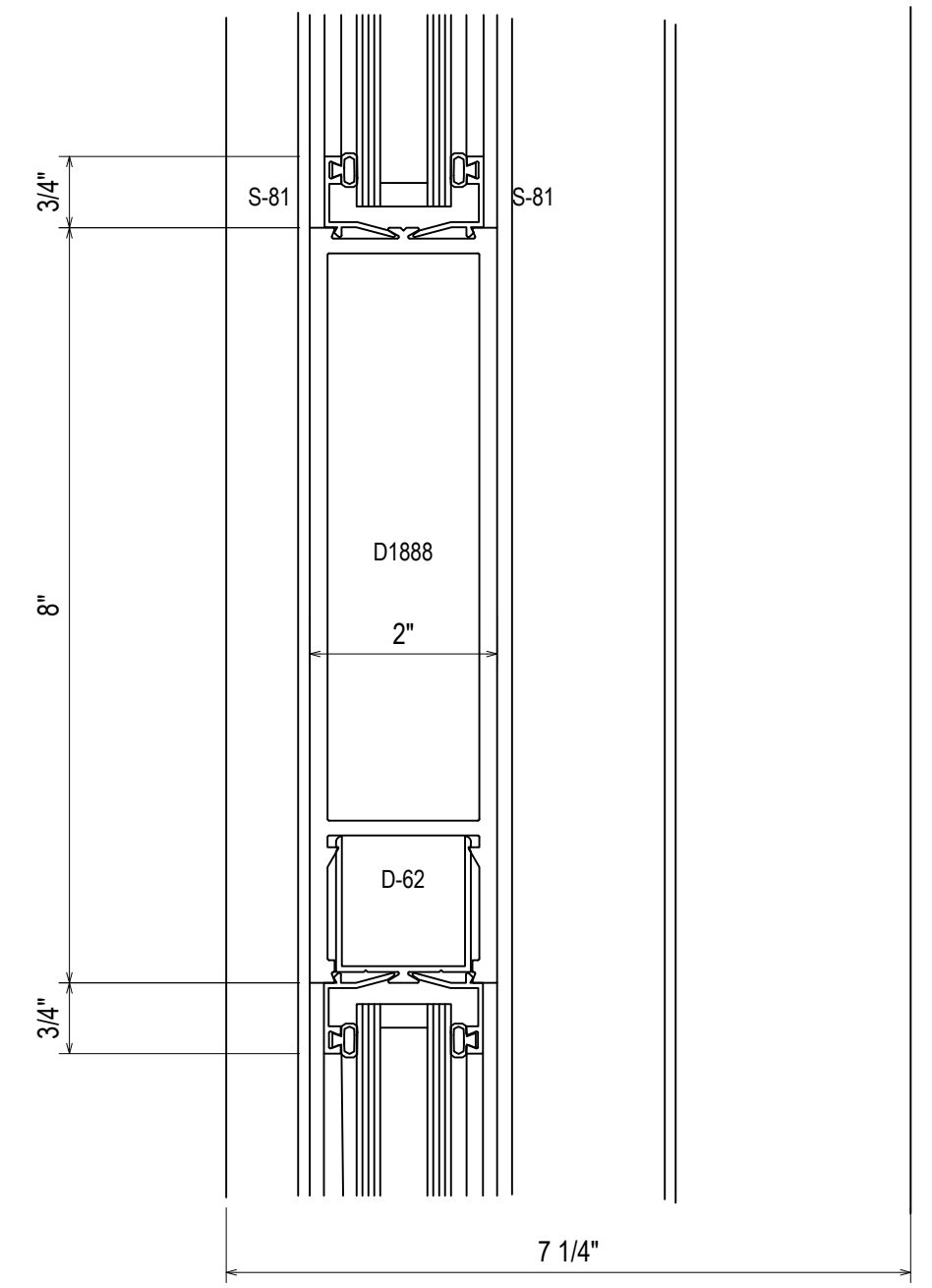
2
3.01
REF: N/A
CW1 - CW2



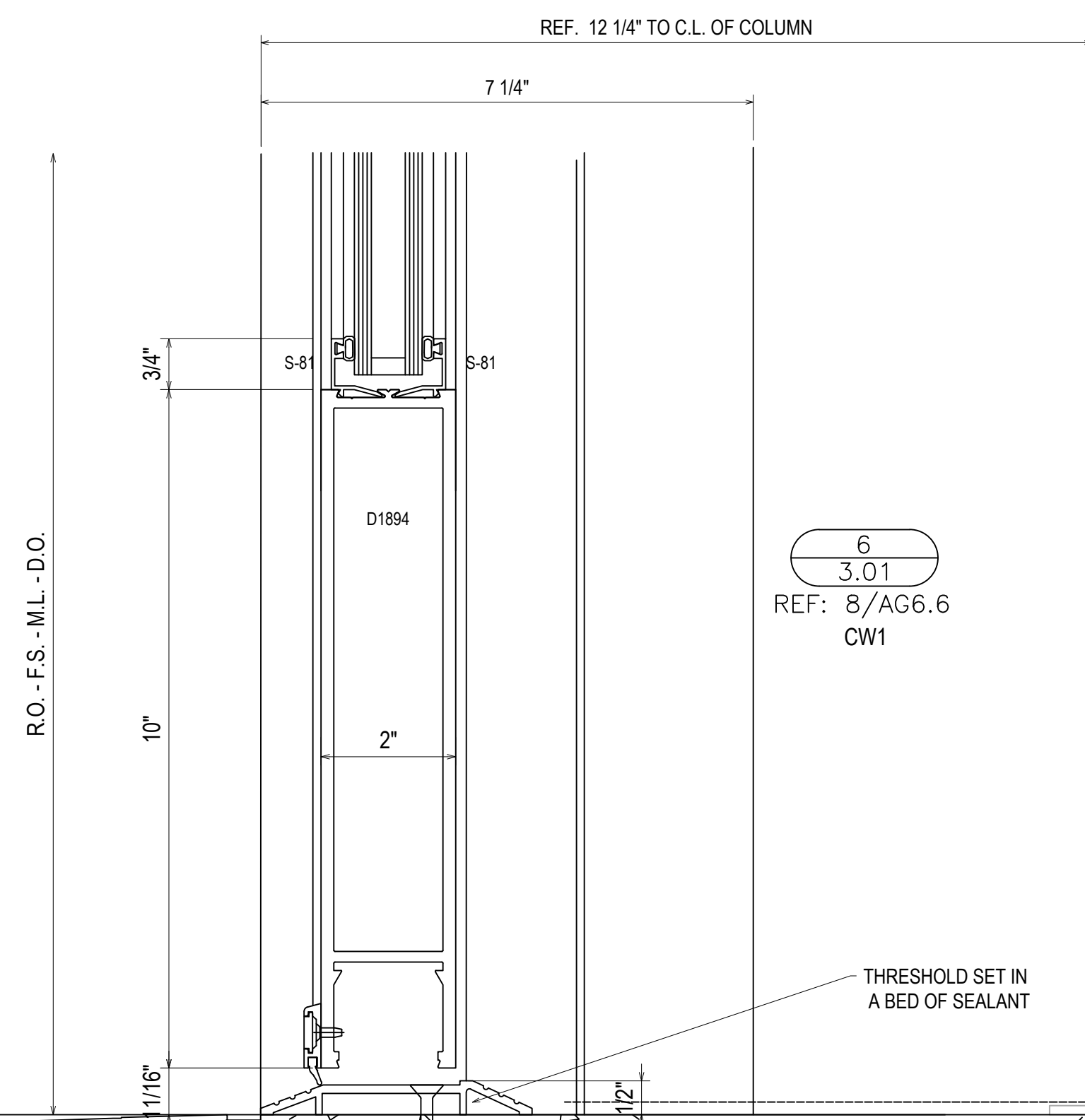
3
3.01
REF: 8/AG6.6
CW1



4
3.01
REF: N/A
CW1



5
3.01
REF: N/A
CW1



6
3.01
REF: 8/AG6.6
CW1

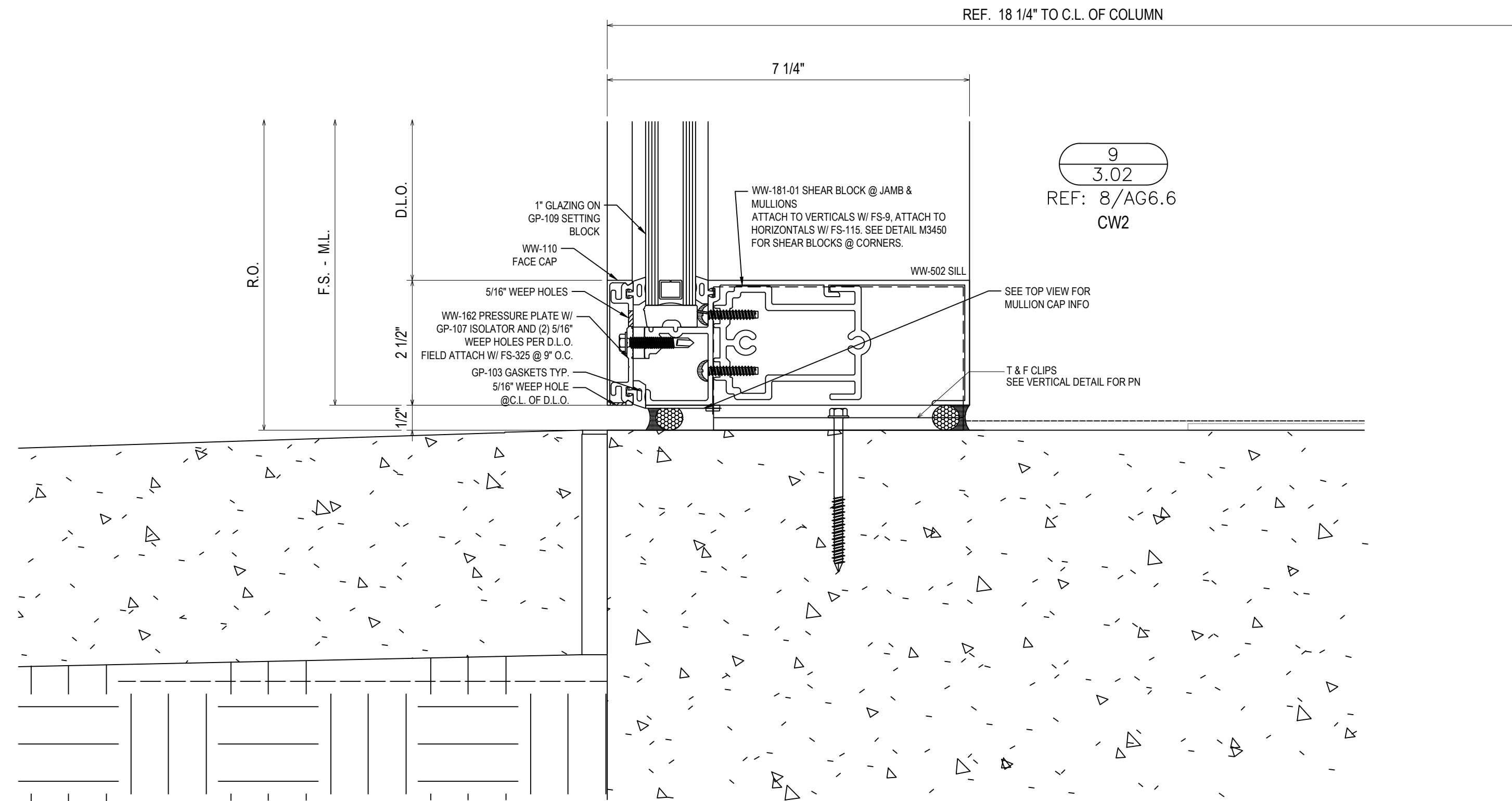
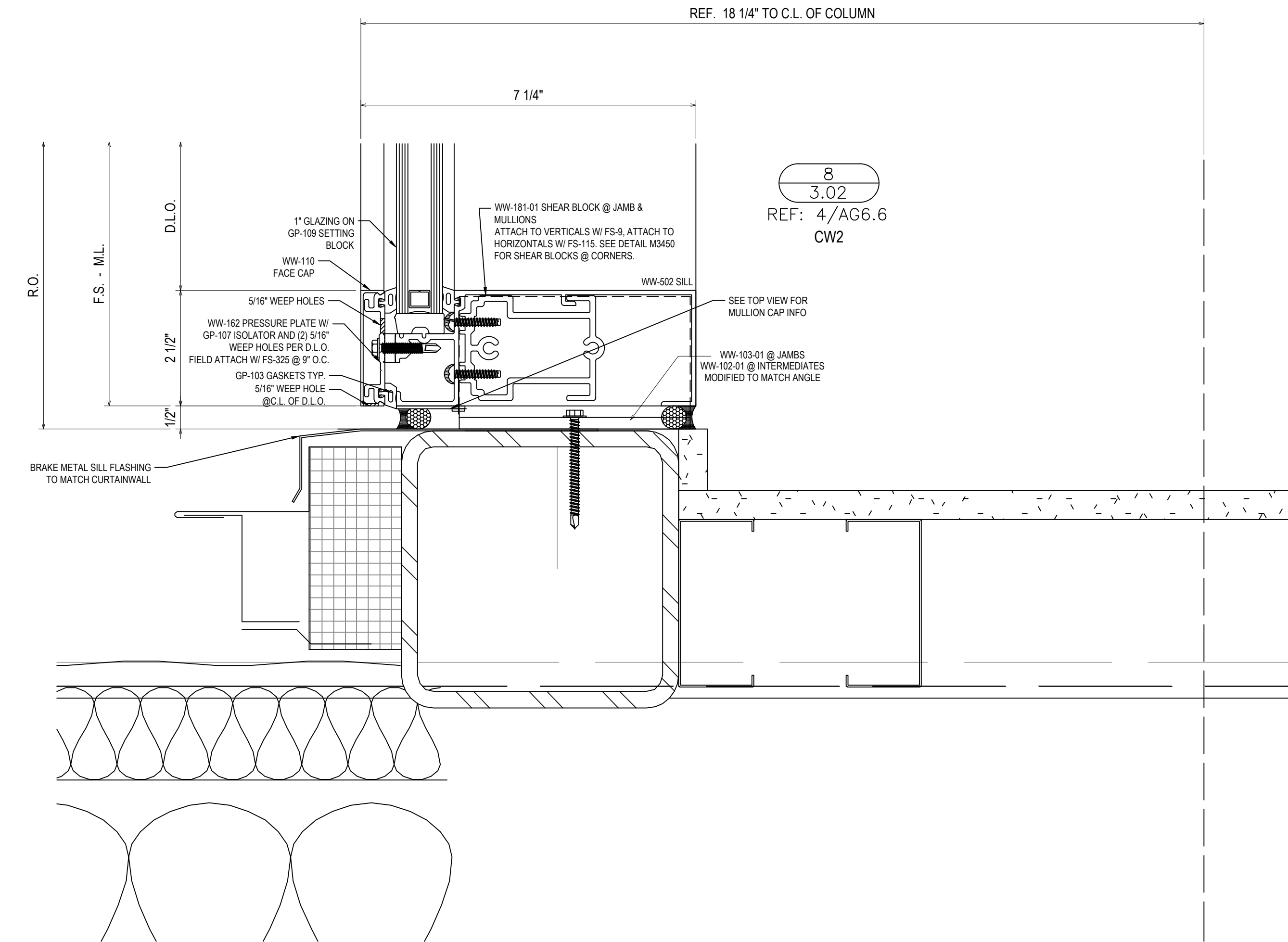
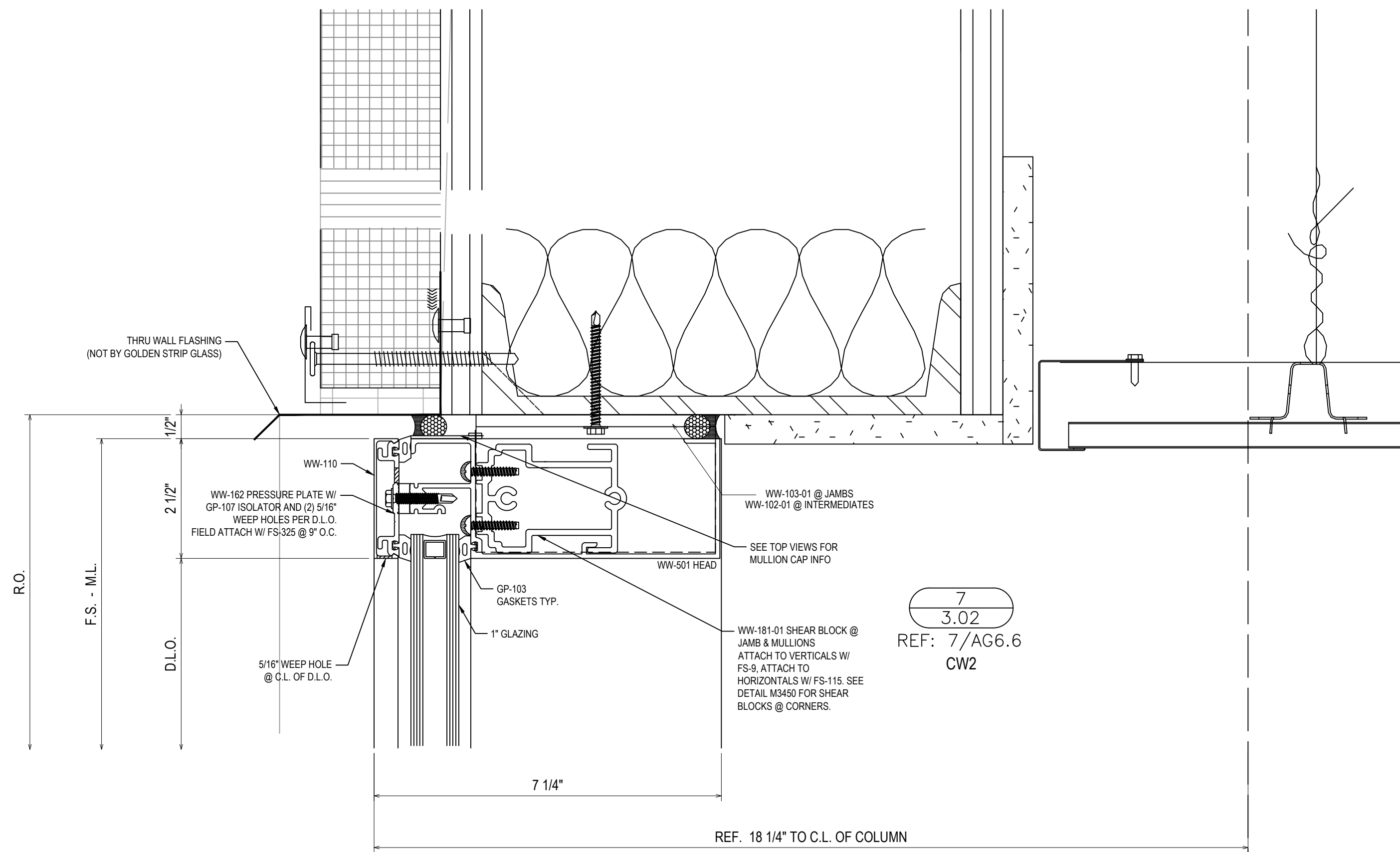
REV.	DESCRIPTION	DATE
1	1ST REVISION	02/23
NO	DESCRIPTION	
	DRAWING SUBMISSION	

CLEMSON UNIVERSITY WOMEN'S SPORTS EXPANSION
GYMNASTICS
 EAST BEACH DRIVE
 CLEMSON, SC 29631

GOLDEN STRIP GLASS
 343 MILLER ROAD
 MAULDIN, SC 29662
 864-297-9989, 864-286-6730 FAX
 WWW.GOLDENSTRIPMIRROR.COM

DRAWN BY: CW	DATE: 02/14/23
CHECKED BY: BP	DATE: 02/14/23

3.01

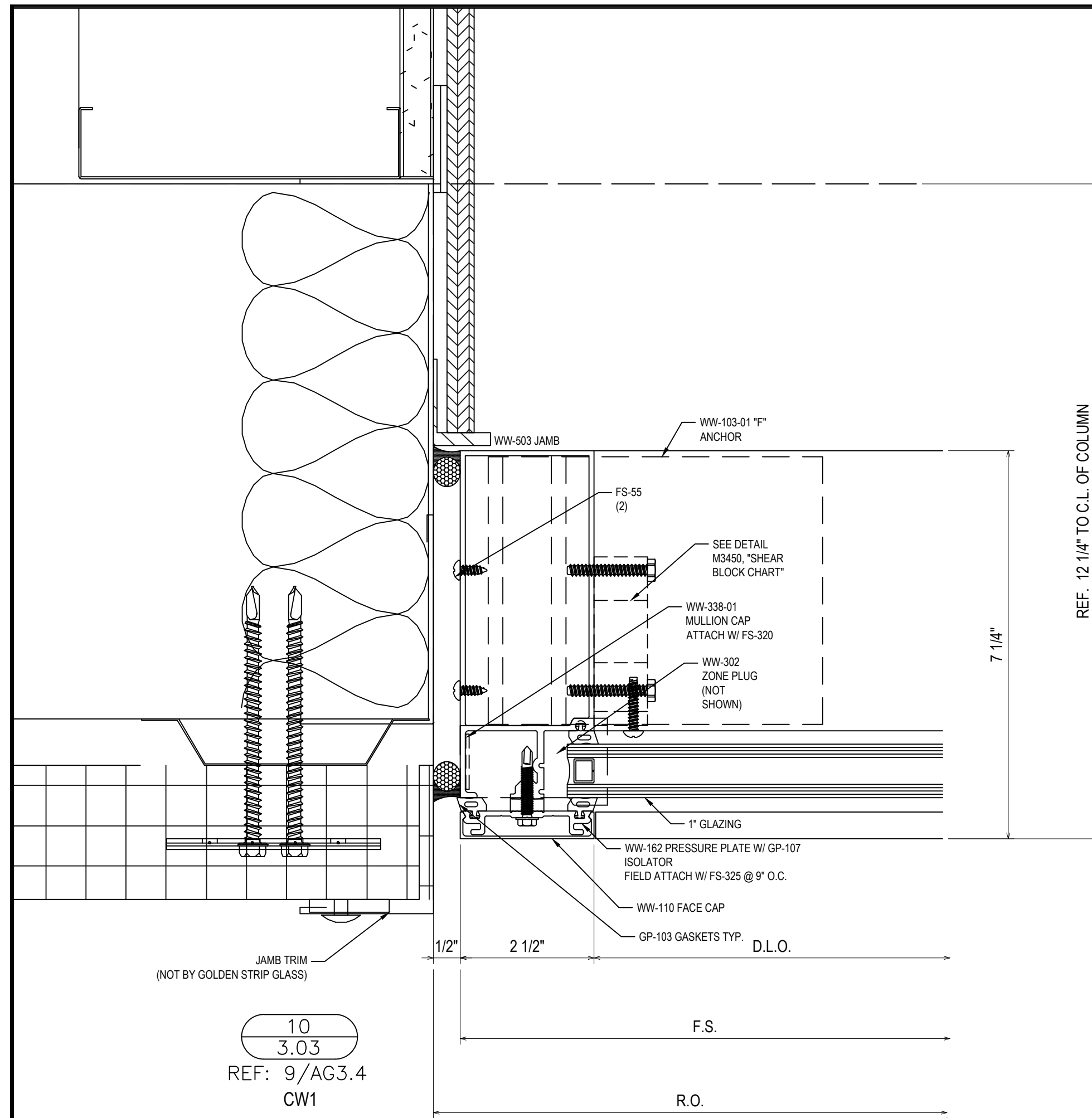


REV.	NO.	DESCRIPTION	DATE
1		1ST REVISION	02/23
	NO	DESCRIPTION	
		DRAWING SUBMISSION	

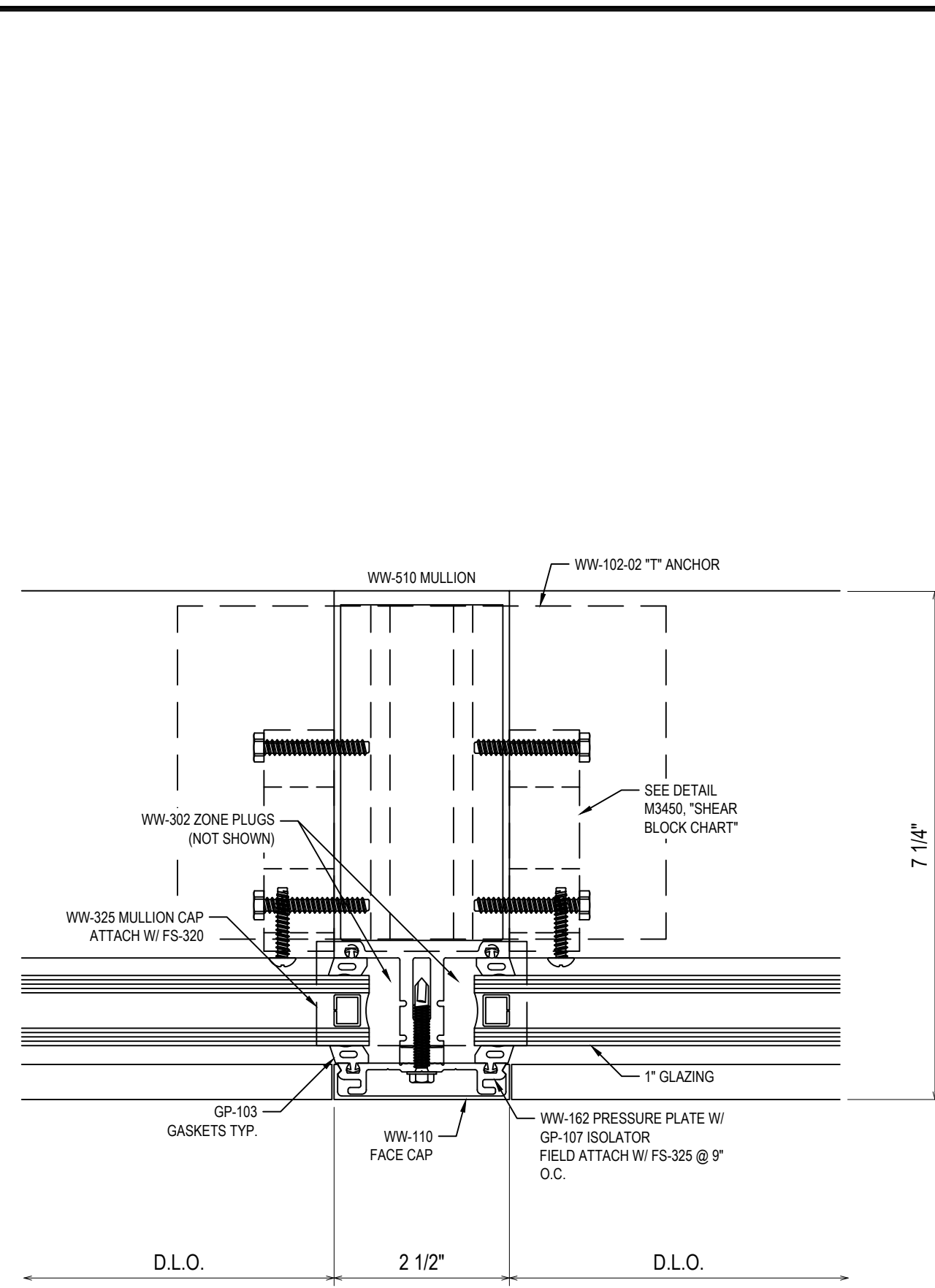
CLEMSON UNIVERSITY WOMEN'S SPORTS EXPANSION
GYMNASTICS
 EAST BEACH DRIVE
 CLEMSON, SC 29631

GOLDEN STRIP GLASS
 343 MILLER ROAD
 MAULDIN, SC 29662
 864-297-9889, 864-286-6730 FAX
 WWW.GOLDENSTRIPMIRROR.COM

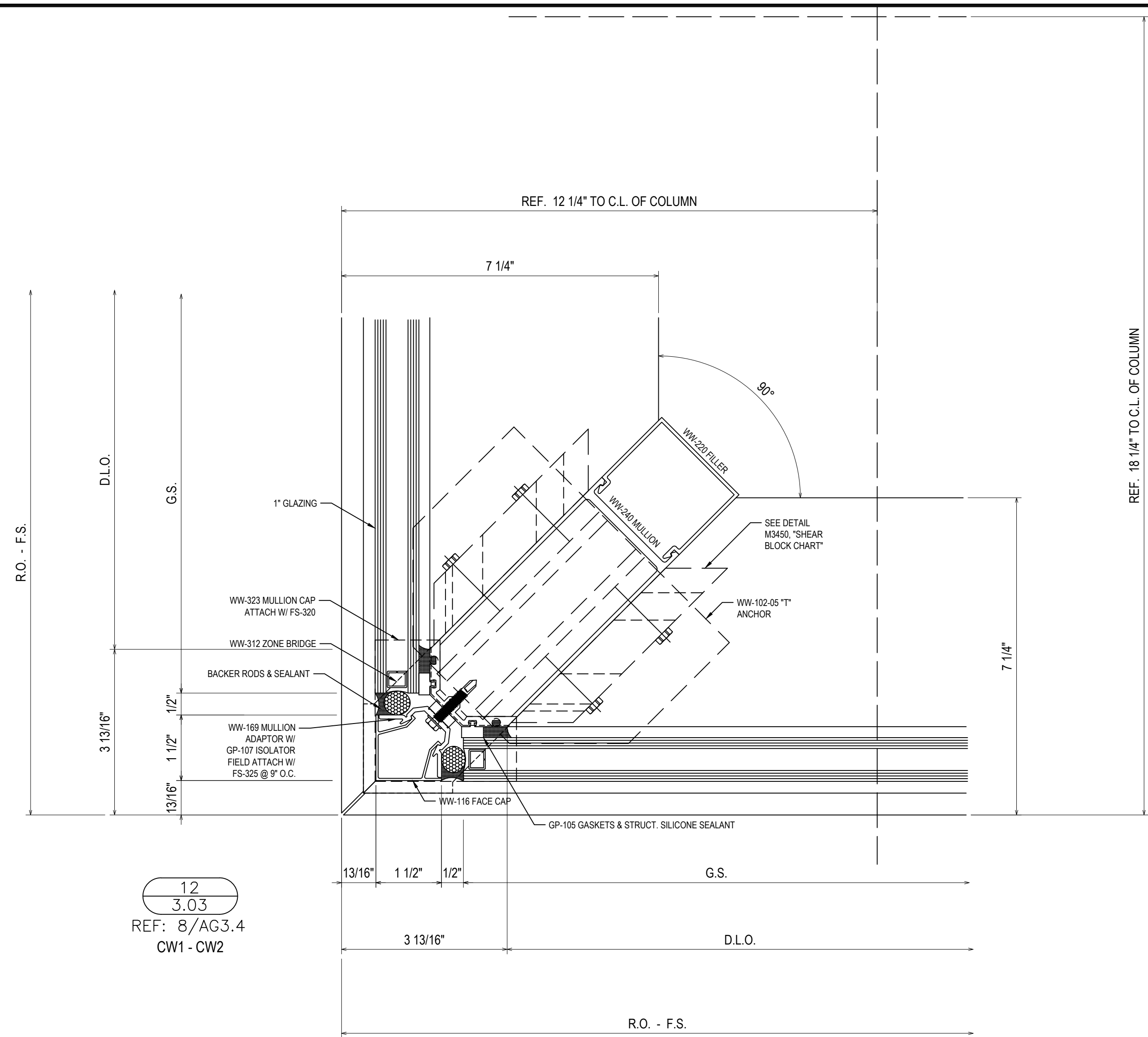
DRAWN BY:	DATE:
CW	02/14/23
CHECKED BY:	DATE:
BP	02/14/23



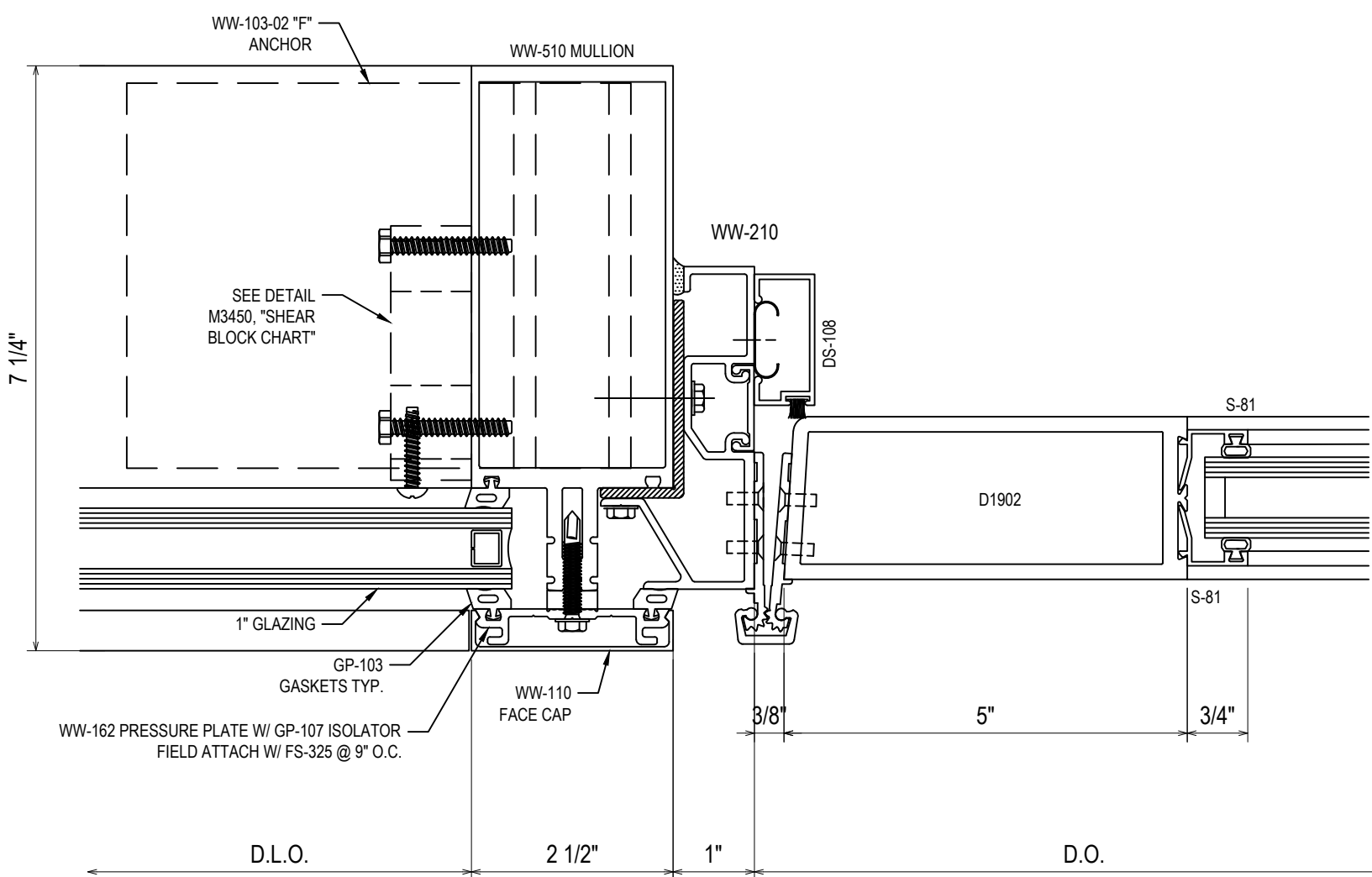
10
3.03
REF: 9/AG3.4
CW1



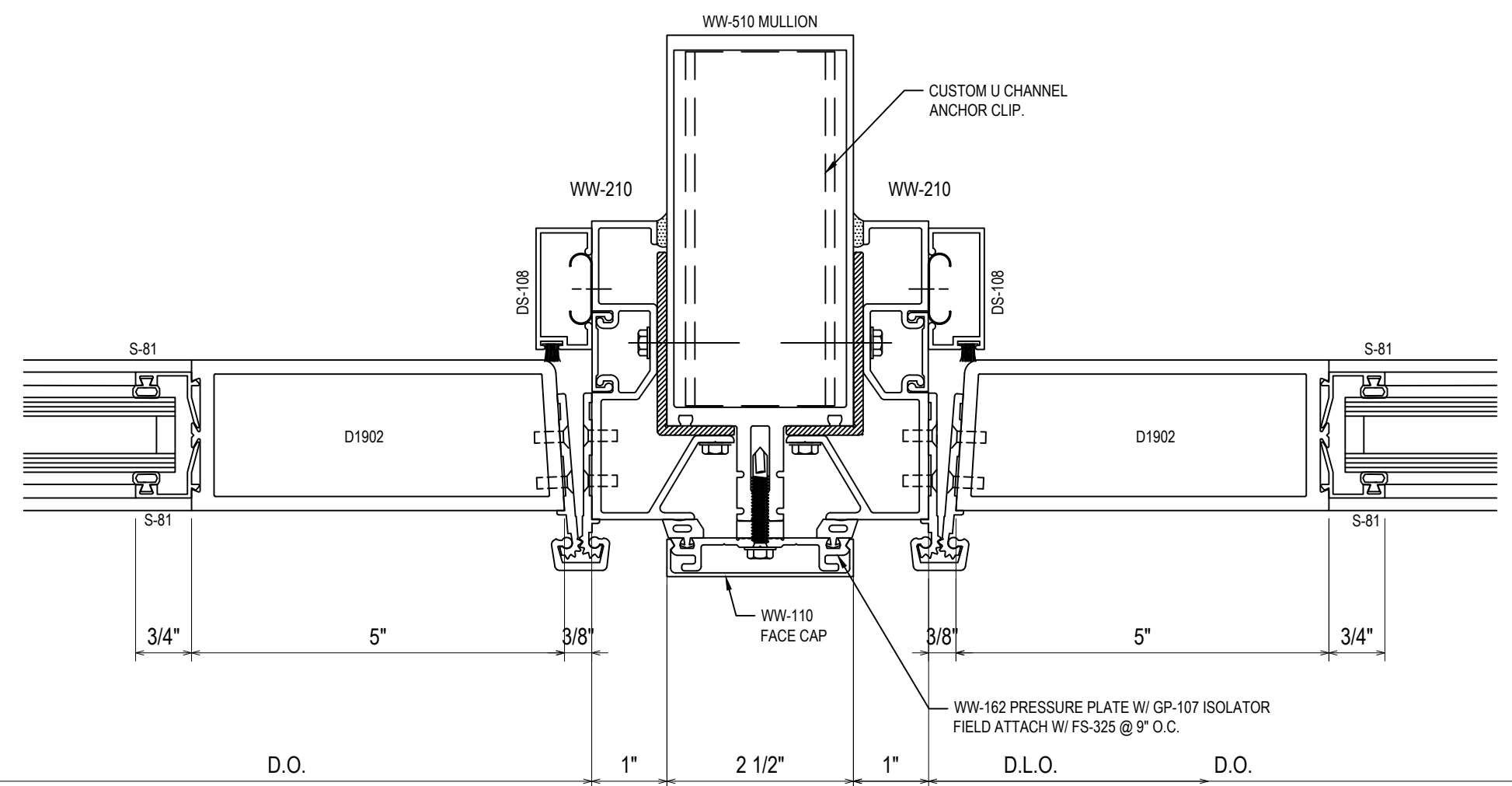
11
3.03
REF: 14/AG7.3
CW1



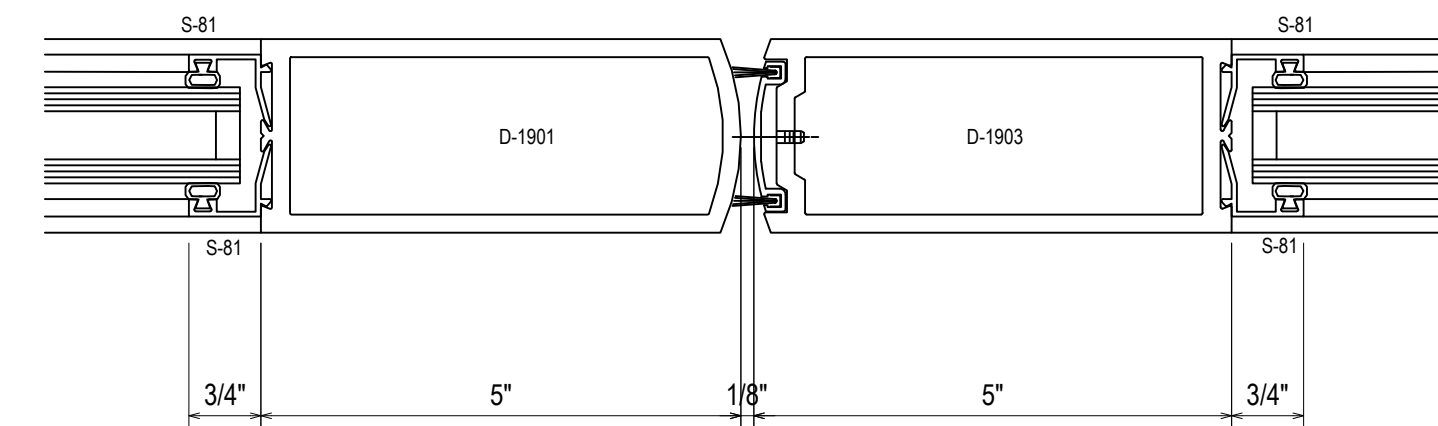
12
3.03
REF: 8/AG3.4
CW1 - CW2



13
3.03
REF: N/A
CW1



14
3.03
REF: N/A
CW1



15
3.03
REF: N/A
CW1

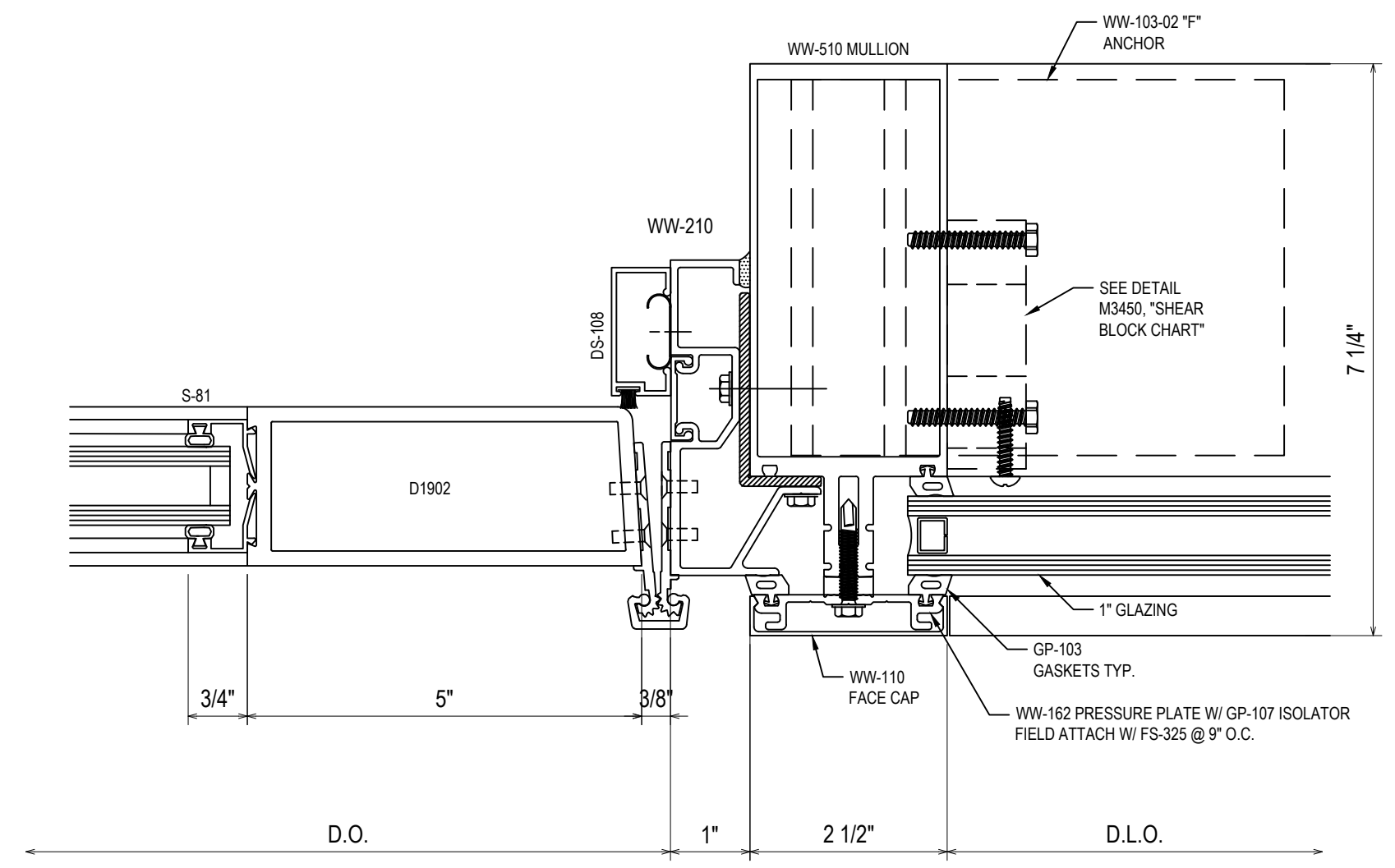
REV.	DESCRIPTION	DATE
1	1ST REVISION	02/23
NO	DESCRIPTION	
	DRAWING SUBMISSION	

CLEMSON UNIVERSITY WOMENS SPORTS EXPANSION
GYMNASTICS
 EAST BEACH DRIVE
 CLEMSON, SC 29631

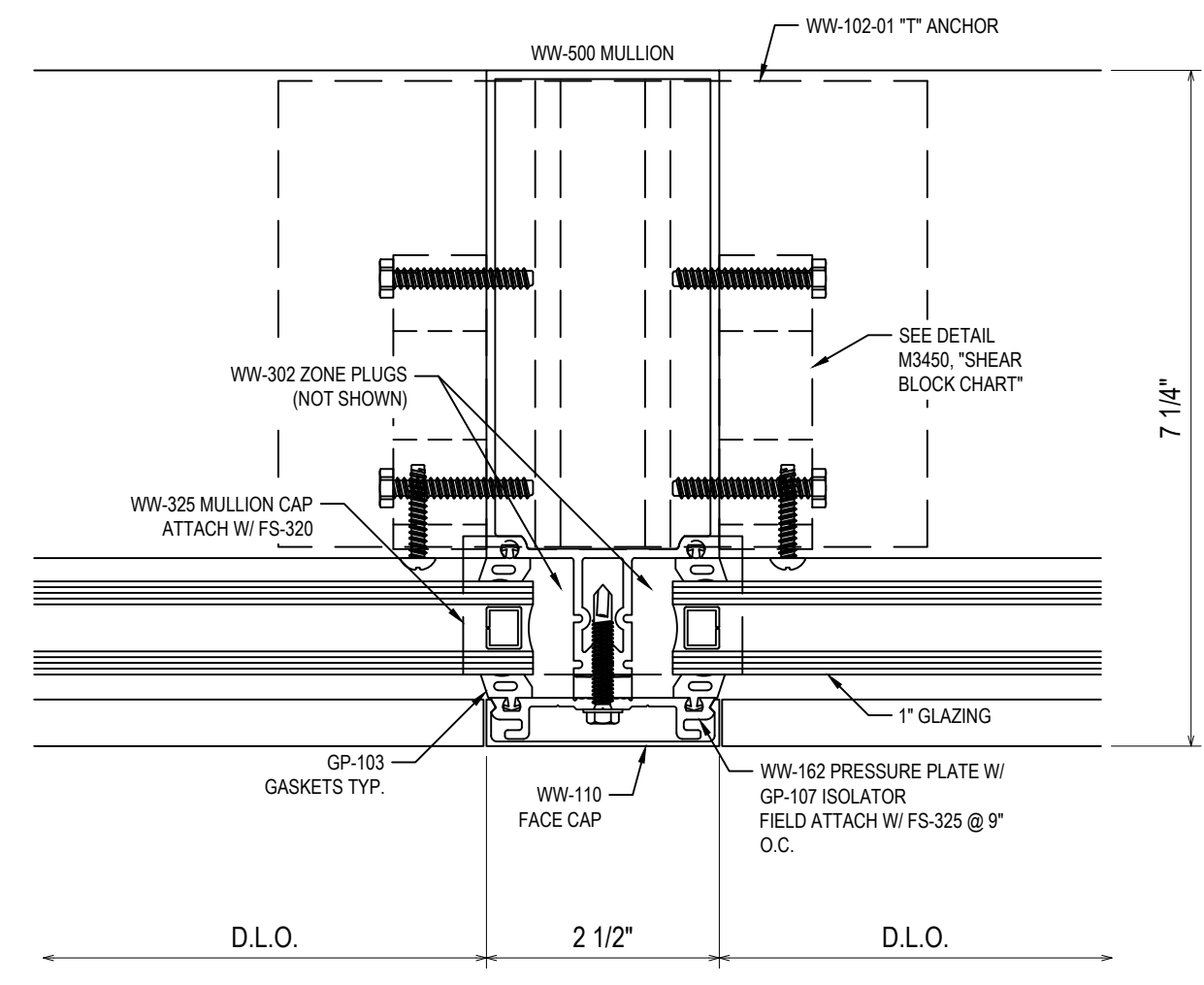
GOLDEN STRIP GLASS
 343 MILLER ROAD
 MAULDIN, SC 29662
 864-297-9889, 864-286-6730 FAX
 WWW.GOLDENSTRIPMIRROR.COM

DRAWN BY:	DATE:
CW	02/14/23
CHECKED BY:	DATE:
BP	02/14/23

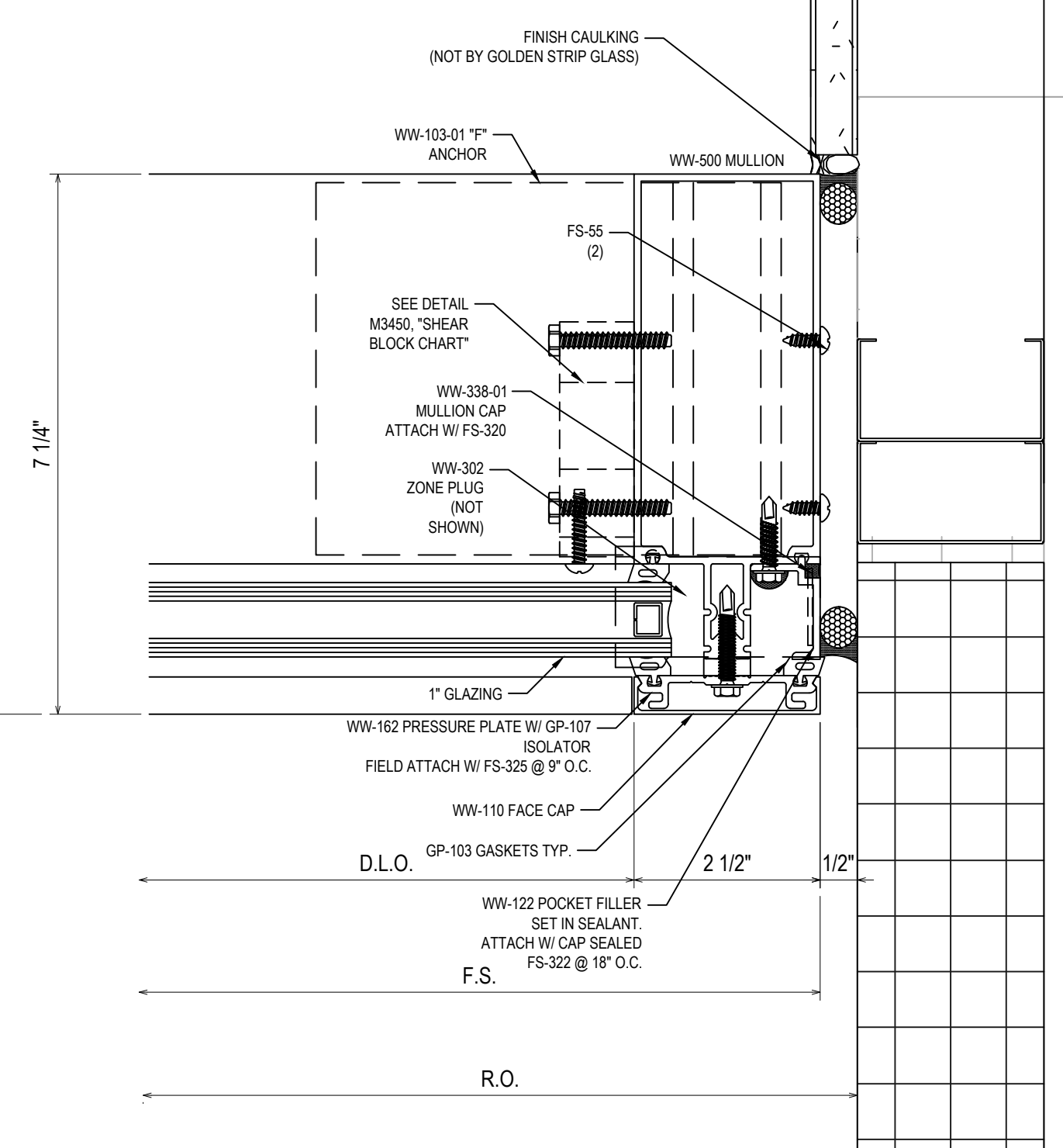
3.03



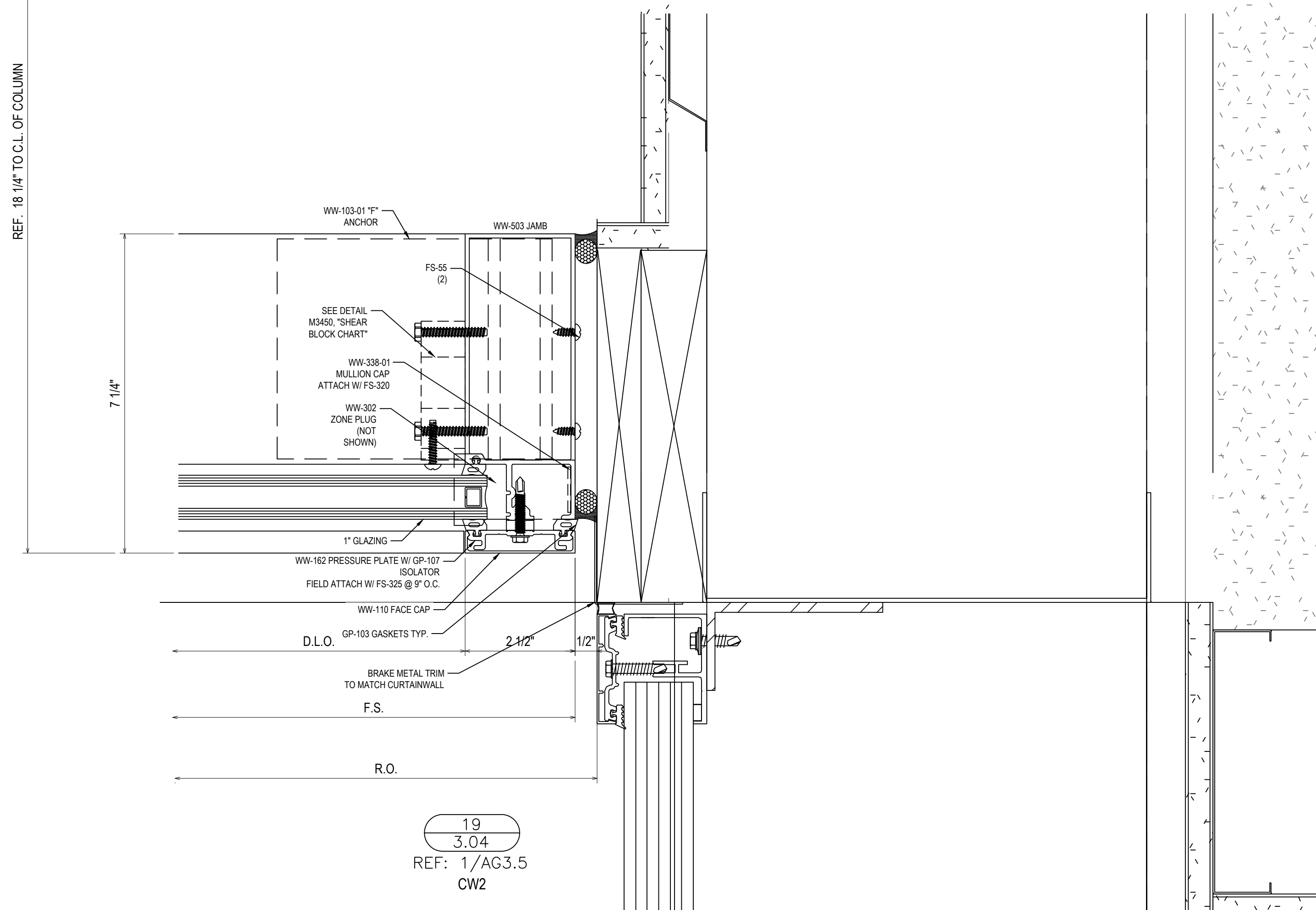
16
3.04
REF: N/A
CW1



17
3.04
REF: 14/AG7.3
CW2



18
3.04
8/AG3.4
CW2



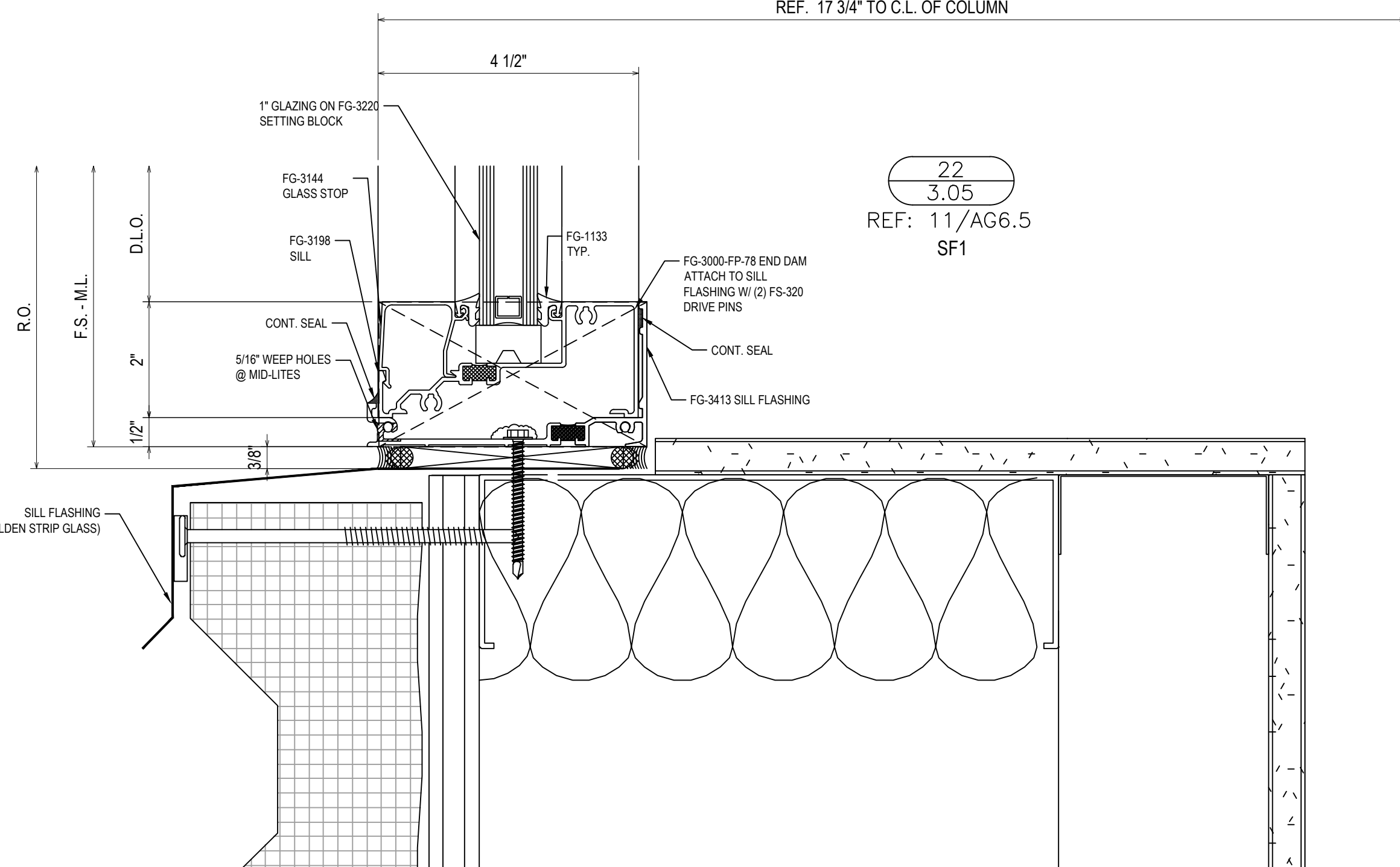
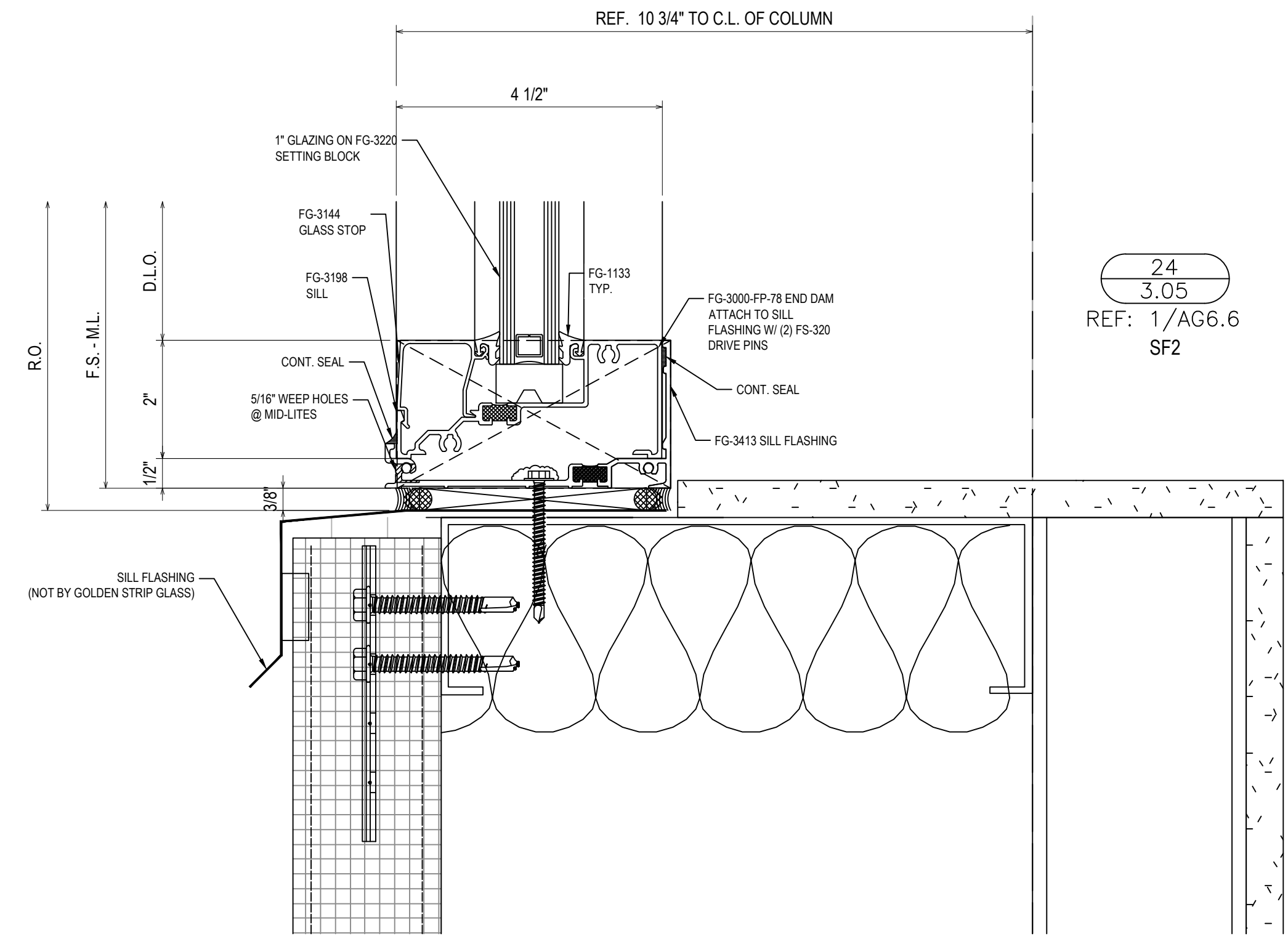
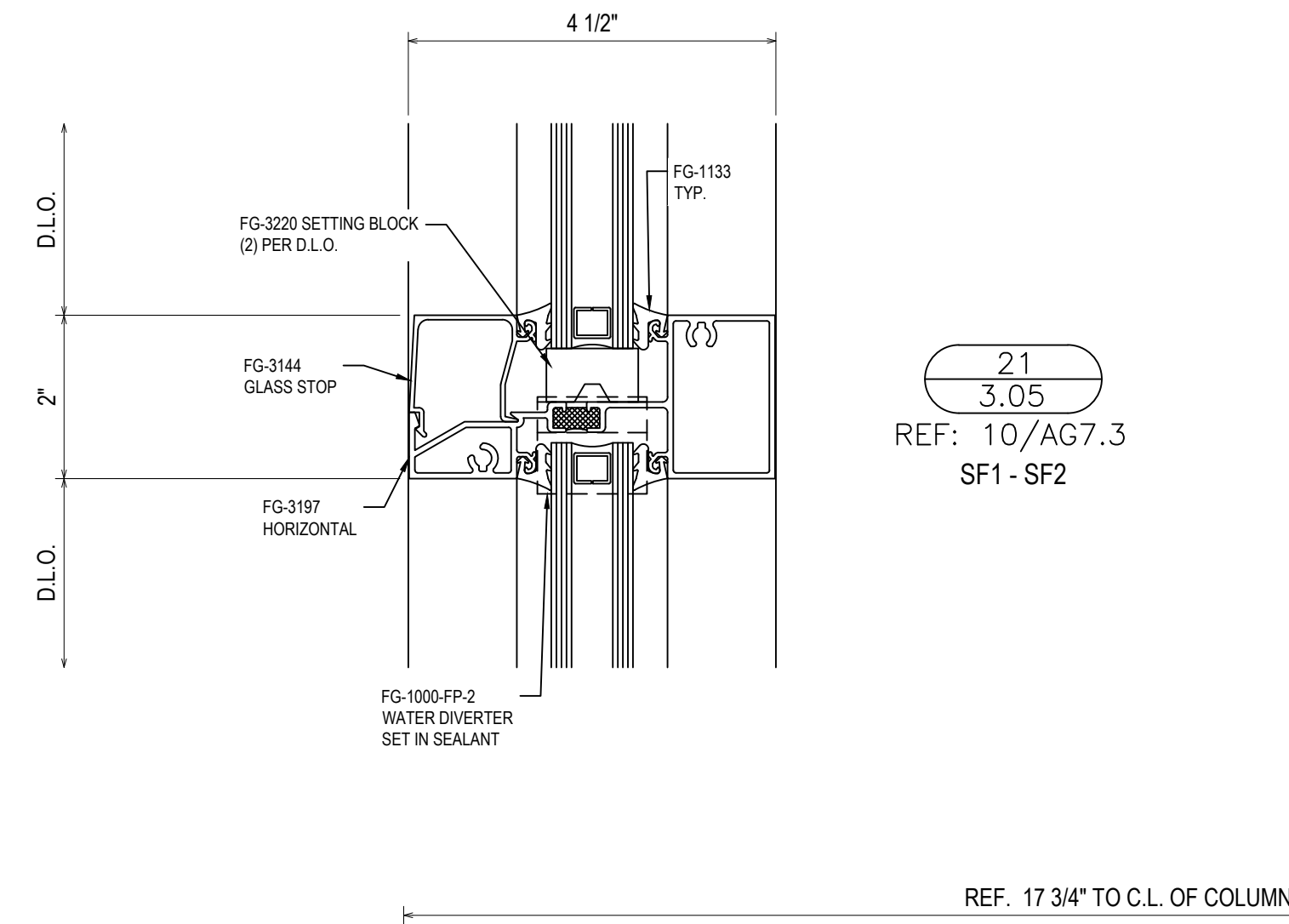
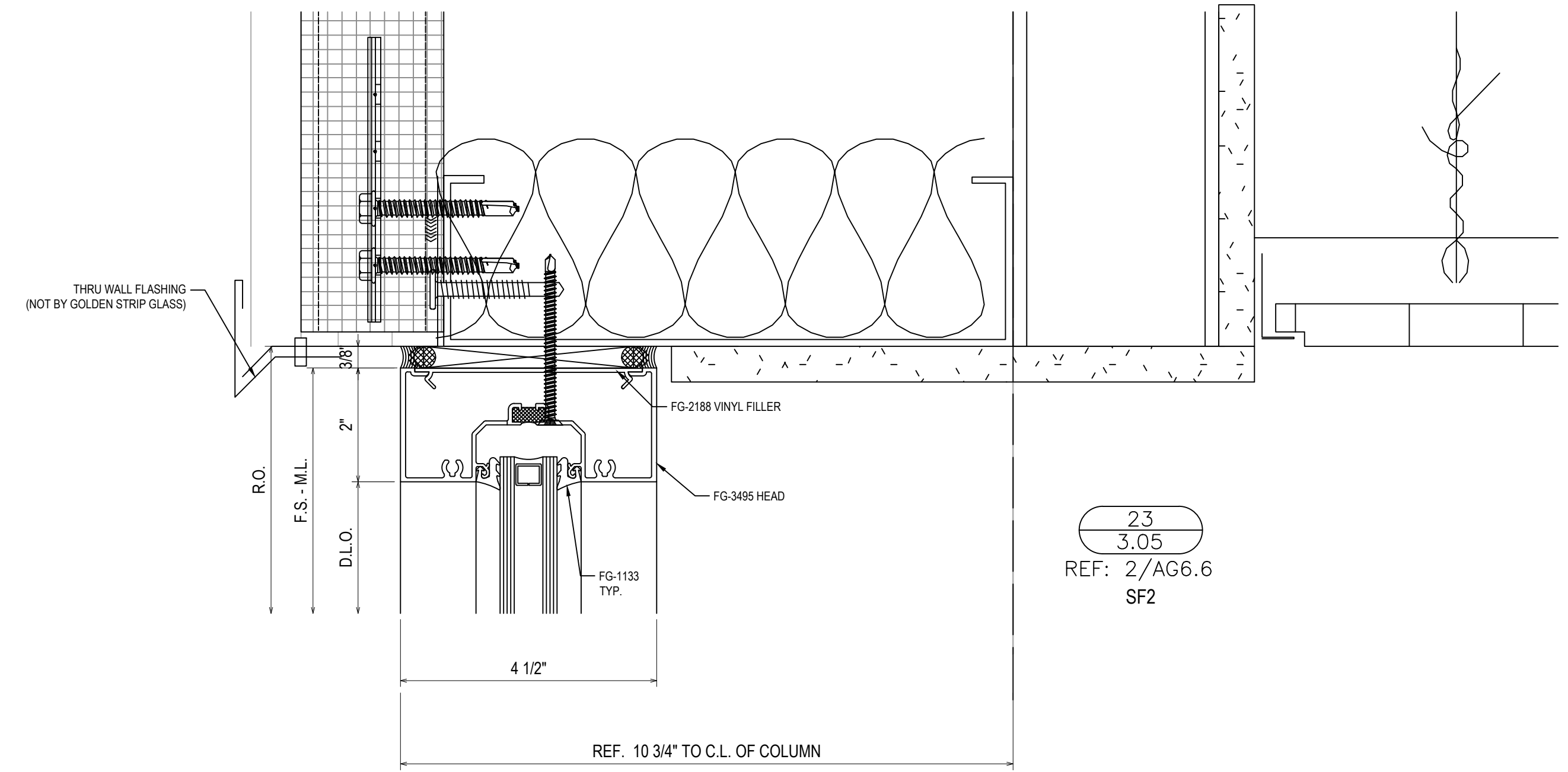
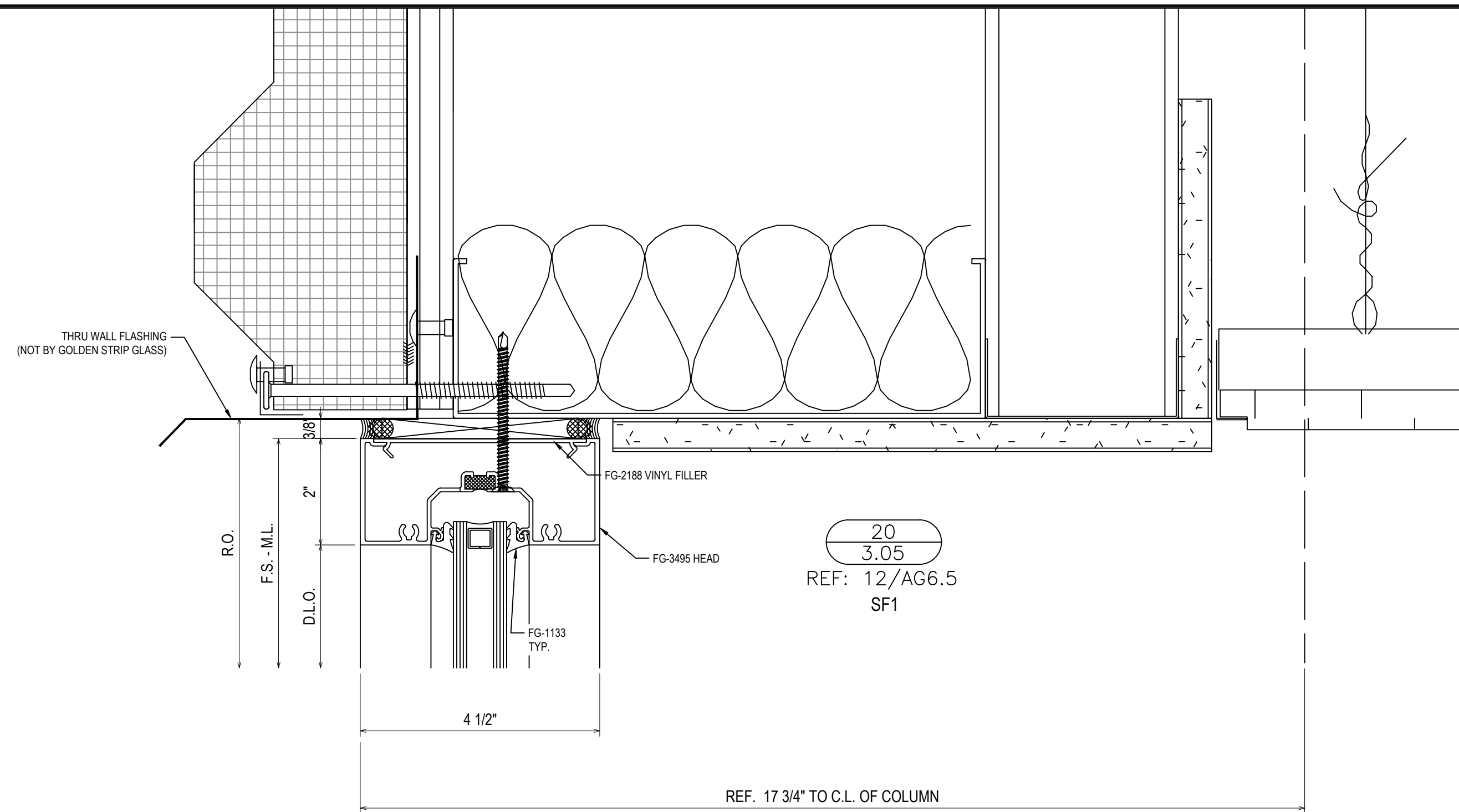
19
3.04
REF: 1/AG3.5
CW2

DATE	4/2/23
DESCRIPTION	1ST REVISION
REV.	NO
DESCRIPTION	DRAWING SUBMISSION

CLEMSON UNIVERSITY WOMEN'S SPORTS EXPANSION
GYMNASTICS
 EAST BEACH DRIVE
 CLEMSON, SC 29631

GOLDEN STRIP GLASS
 343 MILLER ROAD
 MAULDIN, SC 29662
 864-297-9889, 864-286-6730 FAX
 WWW.GOLDENSTRIPMIRROR.COM

DRAWN BY:	DATE:
CW	02/14/23
CHECKED BY:	DATE:
BP	02/14/23



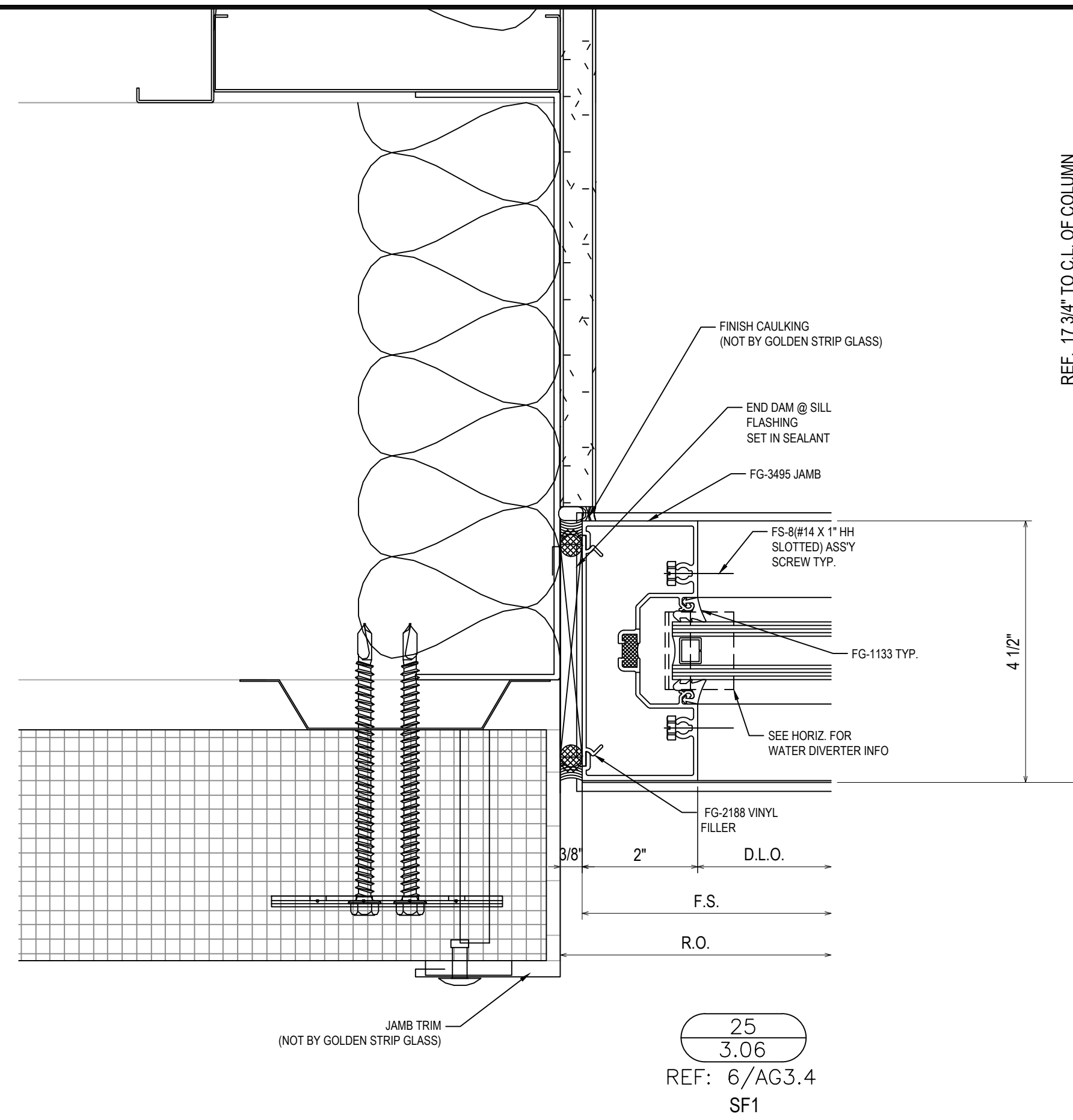
REV.	DESCRIPTION	DATE
1	1ST REVISION	07/23
NO	DESCRIPTION	
	DRAWING SUBMISSION	

CLEMSON UNIVERSITY WOMEN'S SPORTS EXPANSION
GYMNASTICS
 EAST BEACH DRIVE
 CLEMSON, SC 29631

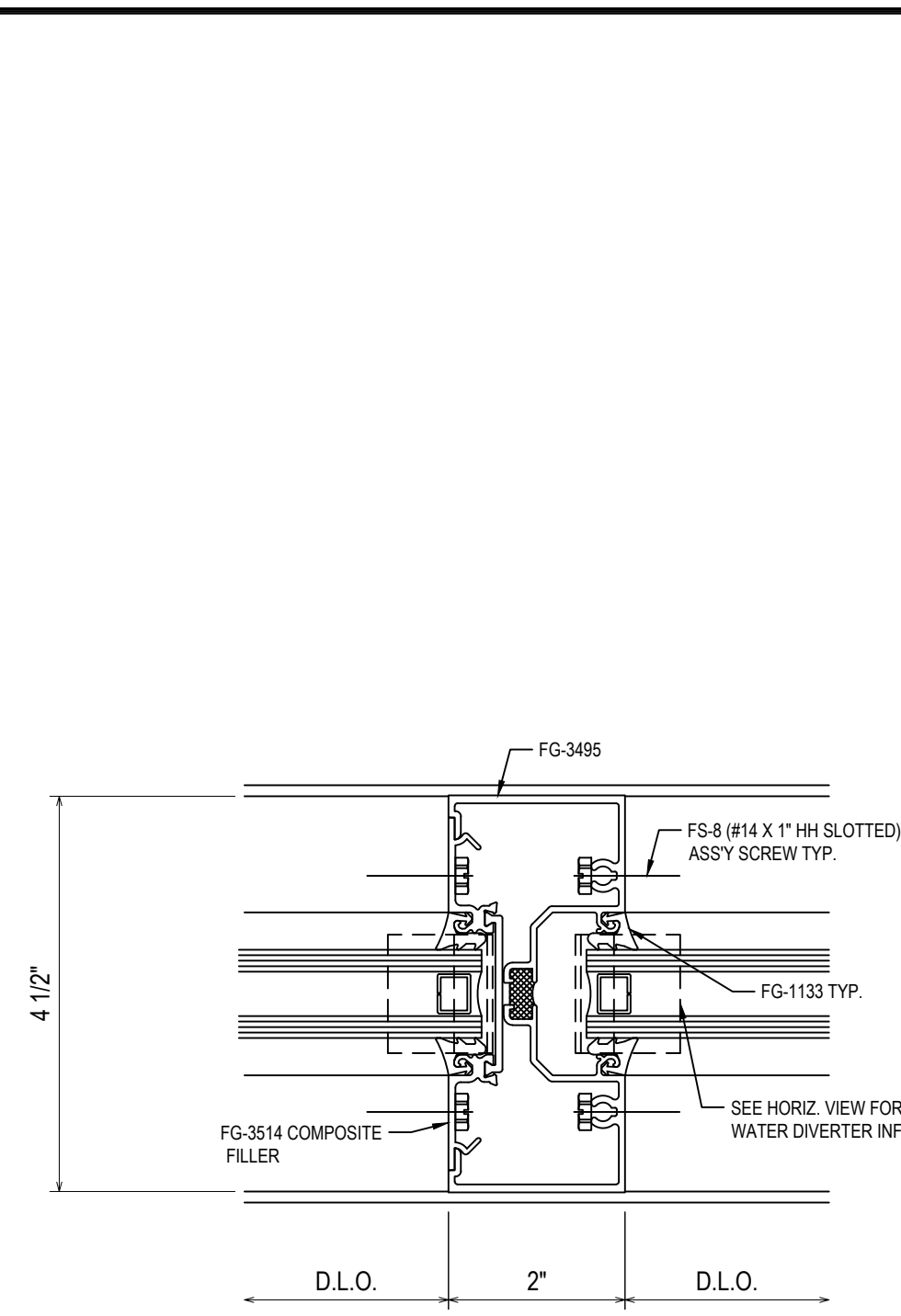
GOLDEN STRIP GLASS
 343 MILLER ROAD
 MAULDIN, SC 29662
 864-297-9889, 864-286-6730 FAX
 WWW.GOLDENSTRIPMIRROR.COM

DRAWN BY:	DATE:
CW	02/14/23
CHECKED BY:	DATE:
BP	02/14/23

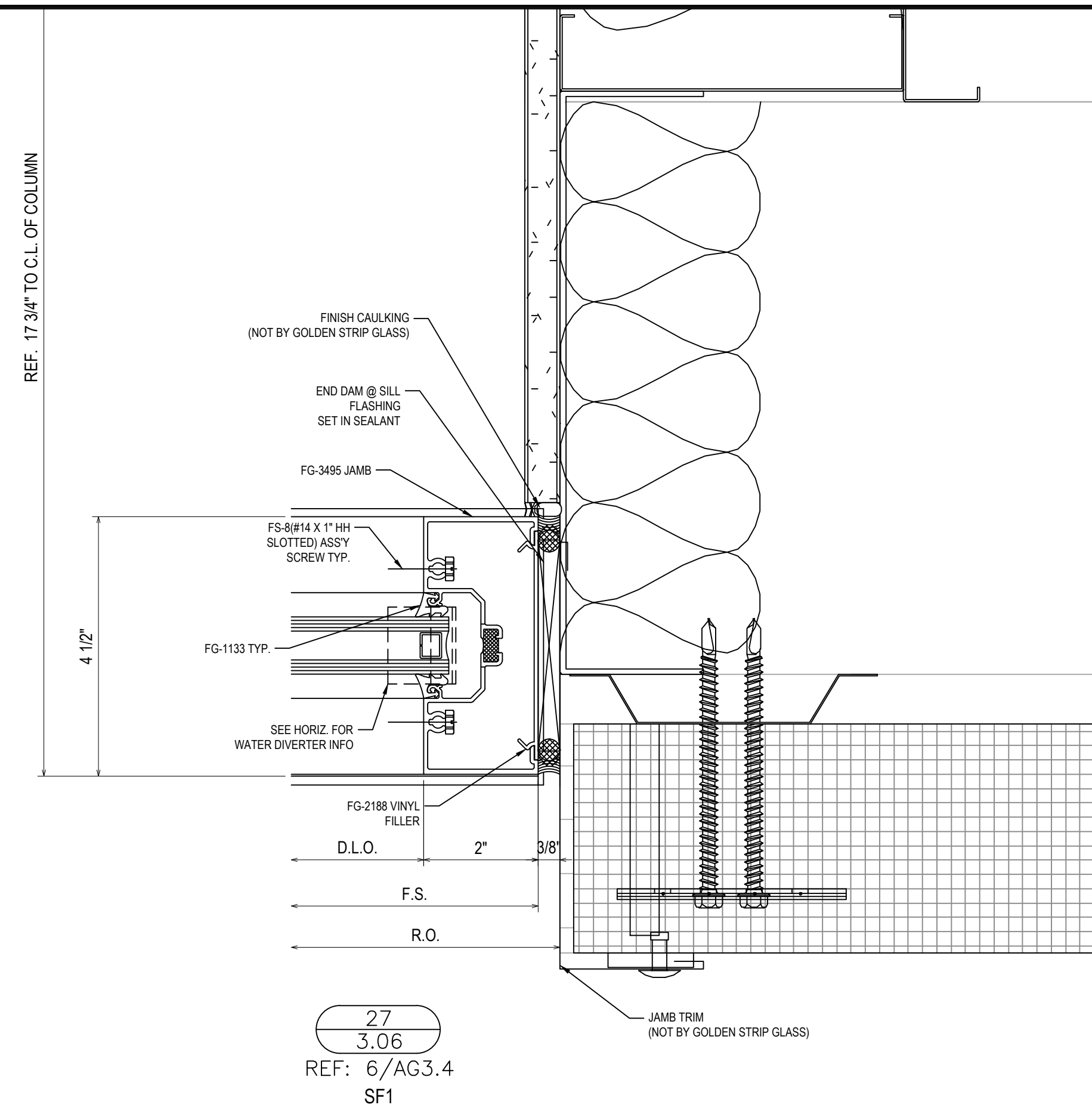
3.05



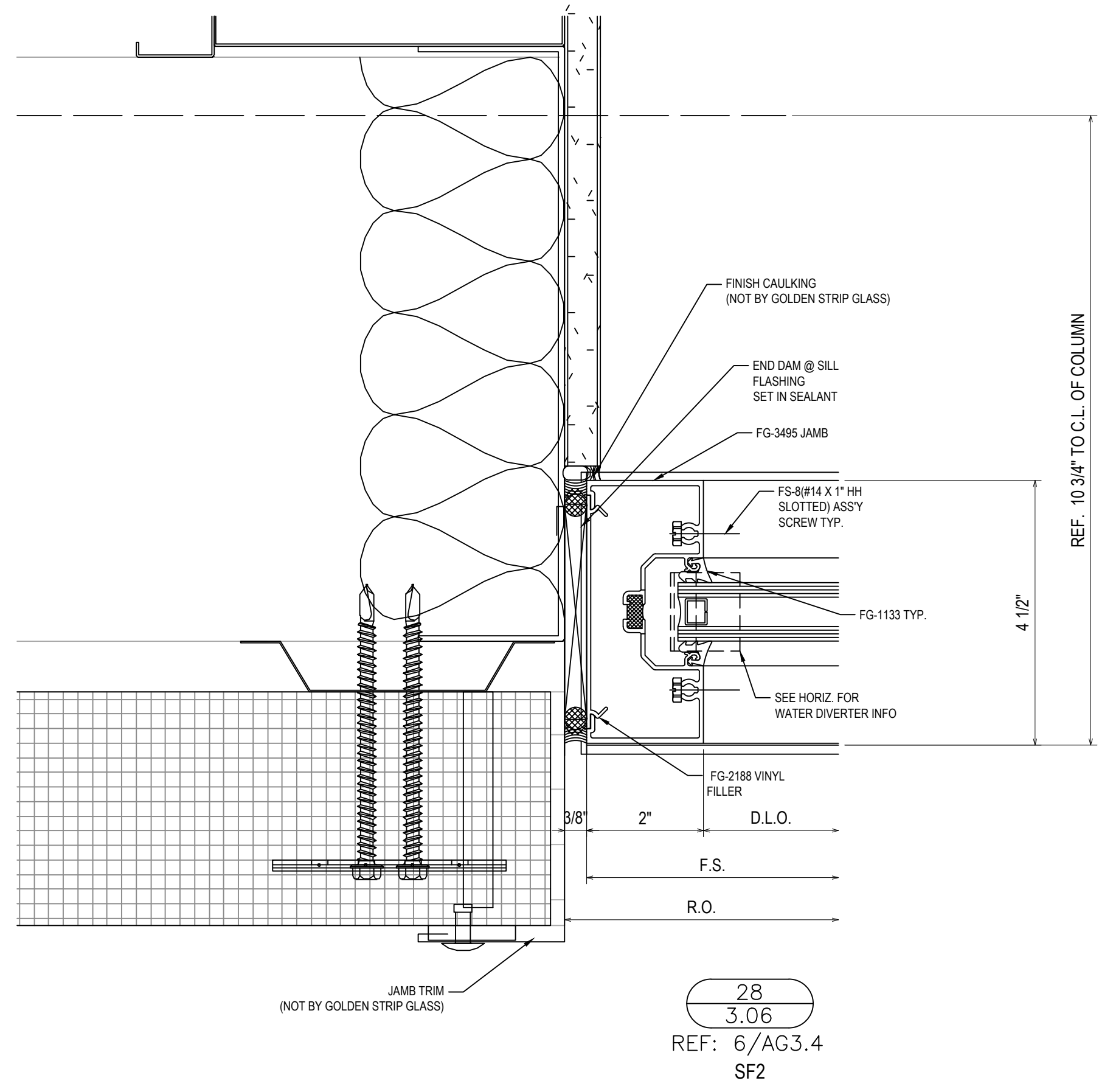
25
3.06
REF: 6/AG3.4
SF1



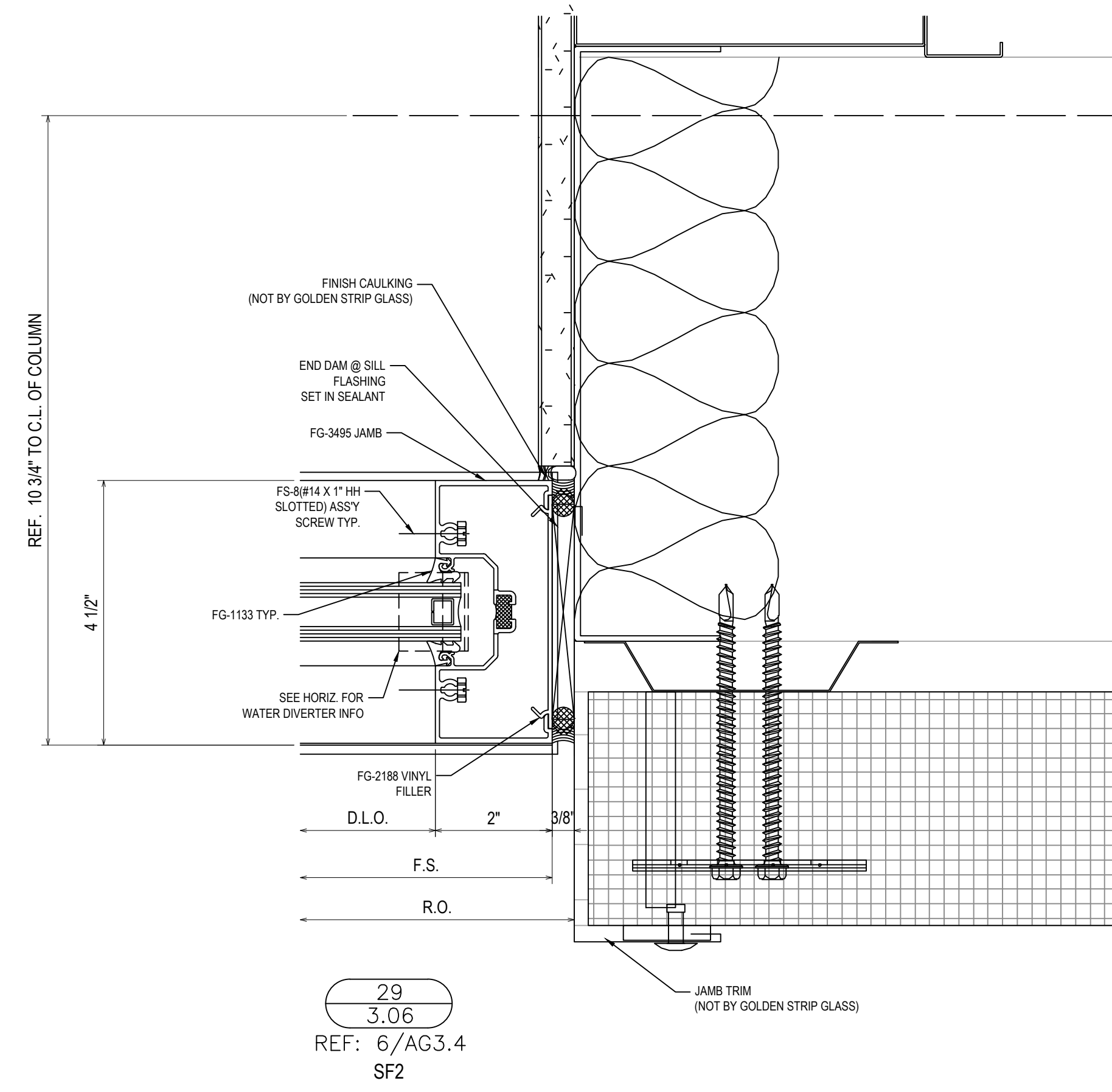
26
3.06
REF: 7/AG7.3
SF1 - SF2



27
3.06
REF: 6/AG3.4
SF1



28
3.06
REF: 6/AG3.4
SF2



29
3.06
REF: 6/AG3.4
SF2

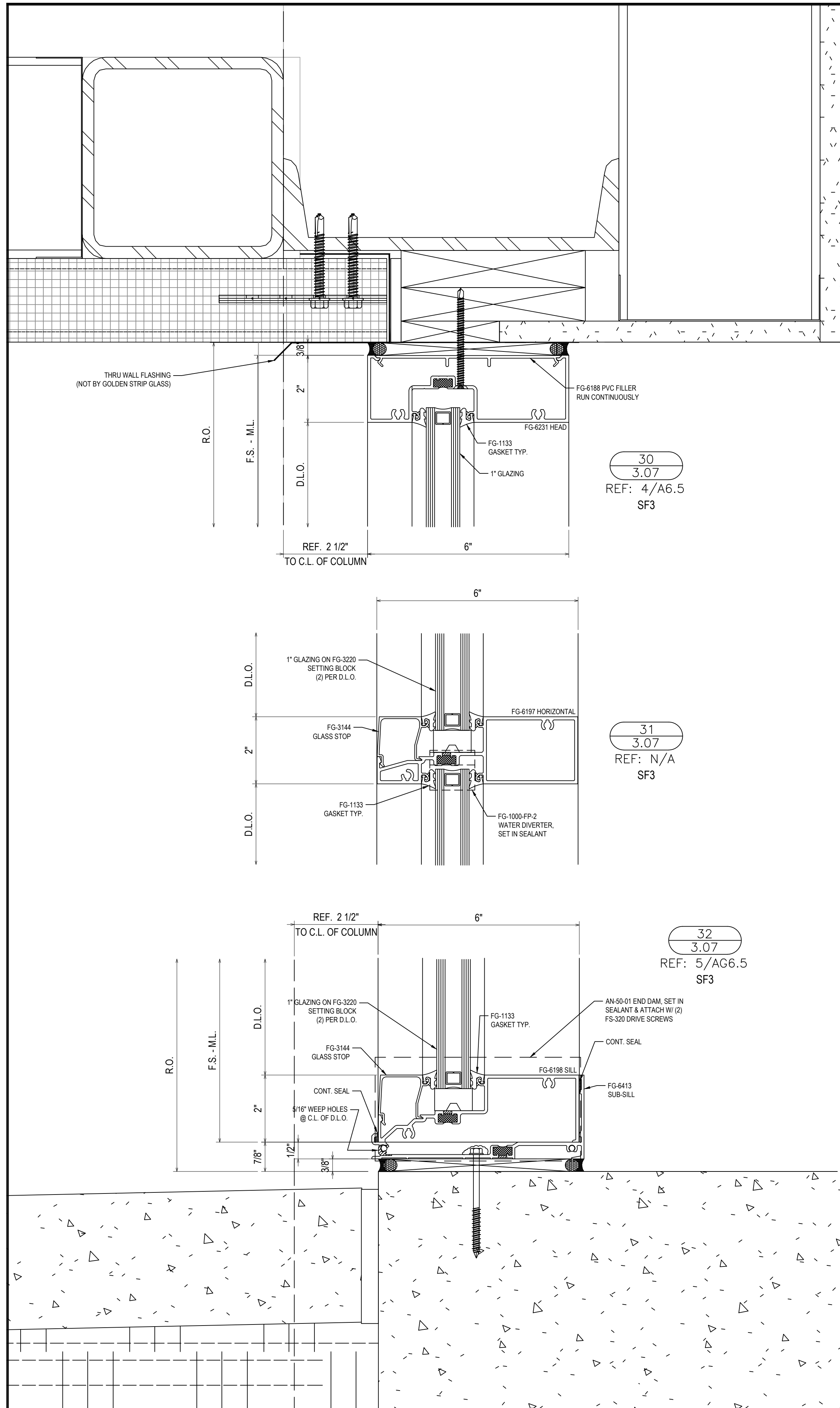
REV.	DESCRIPTION	DATE
1	1ST REVISION	02/23
NO	DESCRIPTION	
	DRAWING SUBMISSION	

CLEMSON UNIVERSITY WOMEN'S SPORTS EXPANSION
GYMNASTICS
 EAST BEACH DRIVE
 CLEMSON, SC 29631

GOLDEN STRIP GLASS
 343 MILLER ROAD
 MAULDIN, SC 29662
 864-297-9889, 864-286-6730 FAX
 WWW.GOLDENSTRIPMIRROR.COM

DRAWN BY:	DATE:
CW	02/14/23
CHECKED BY:	DATE:
BP	02/14/23

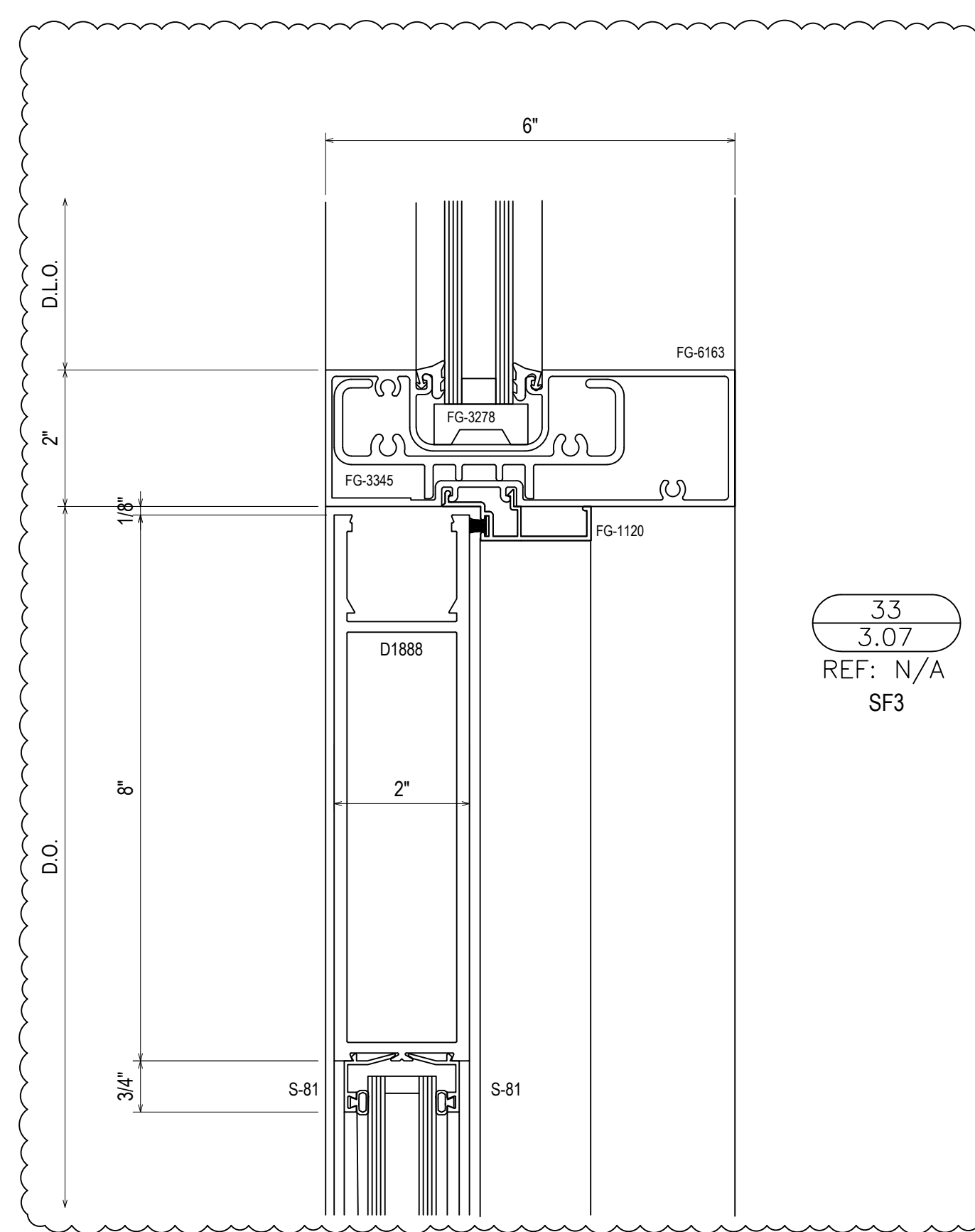
3.06



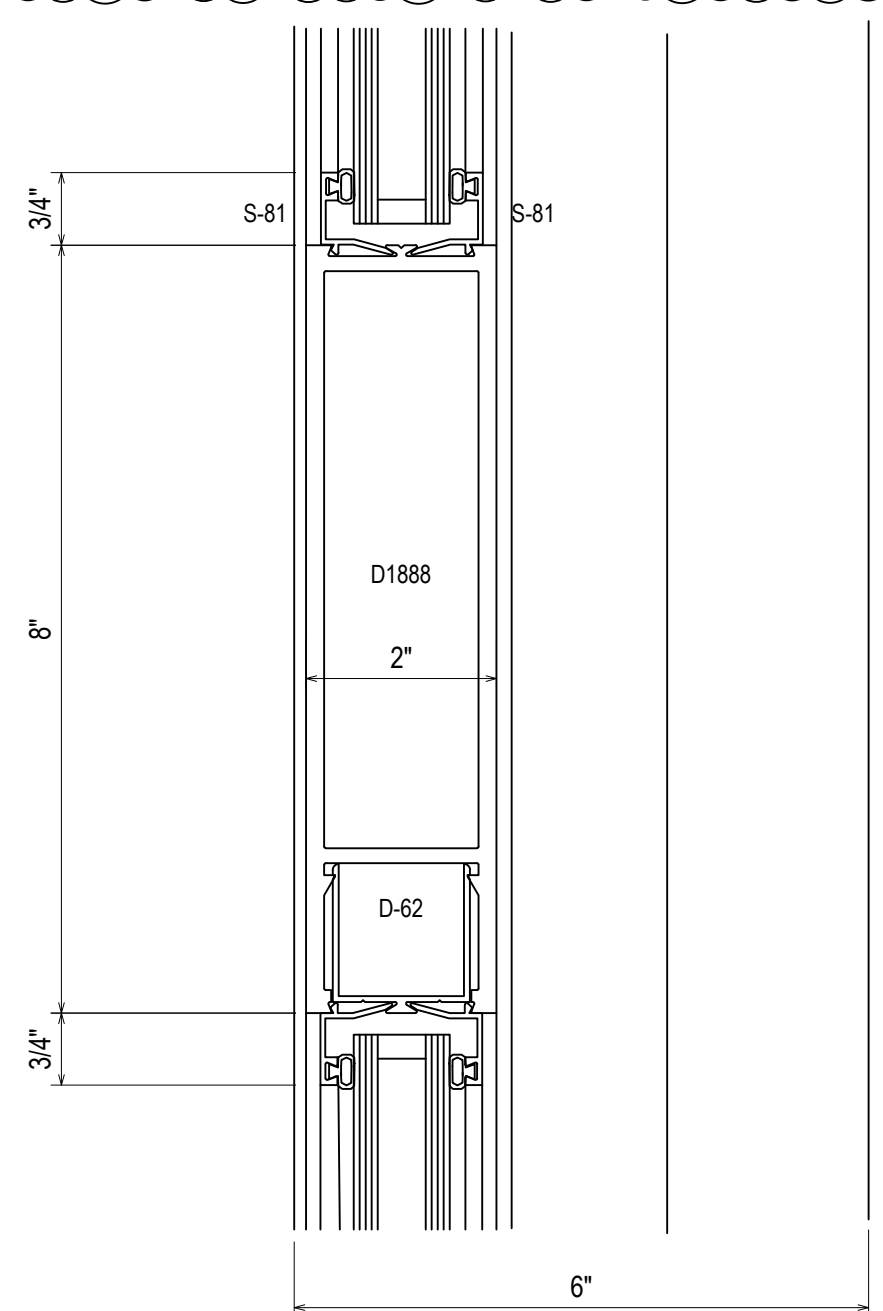
30
3.07
REF: 4/A6.5
SF3

31
3.07
REF: N/A
SF3

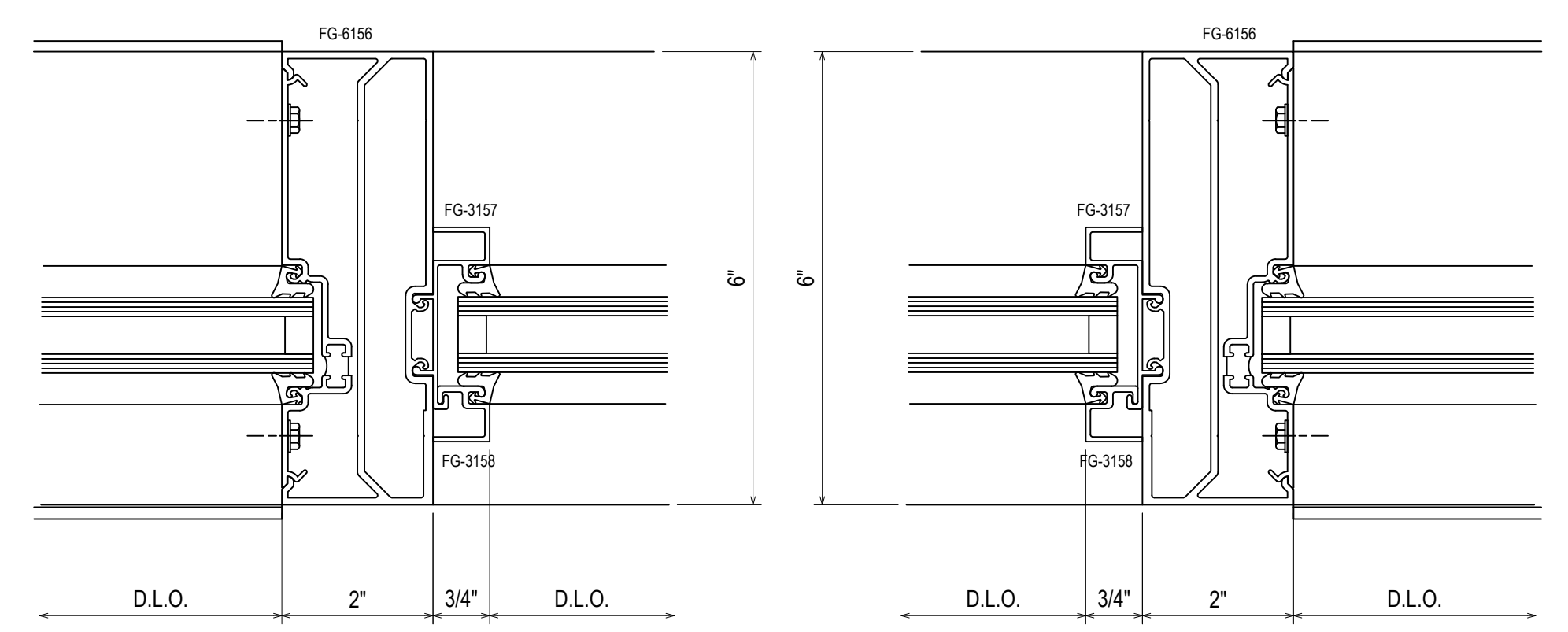
32
3.07
REF: 5/AG6.5
SF3



33
3.07
REF: N/A
SF3

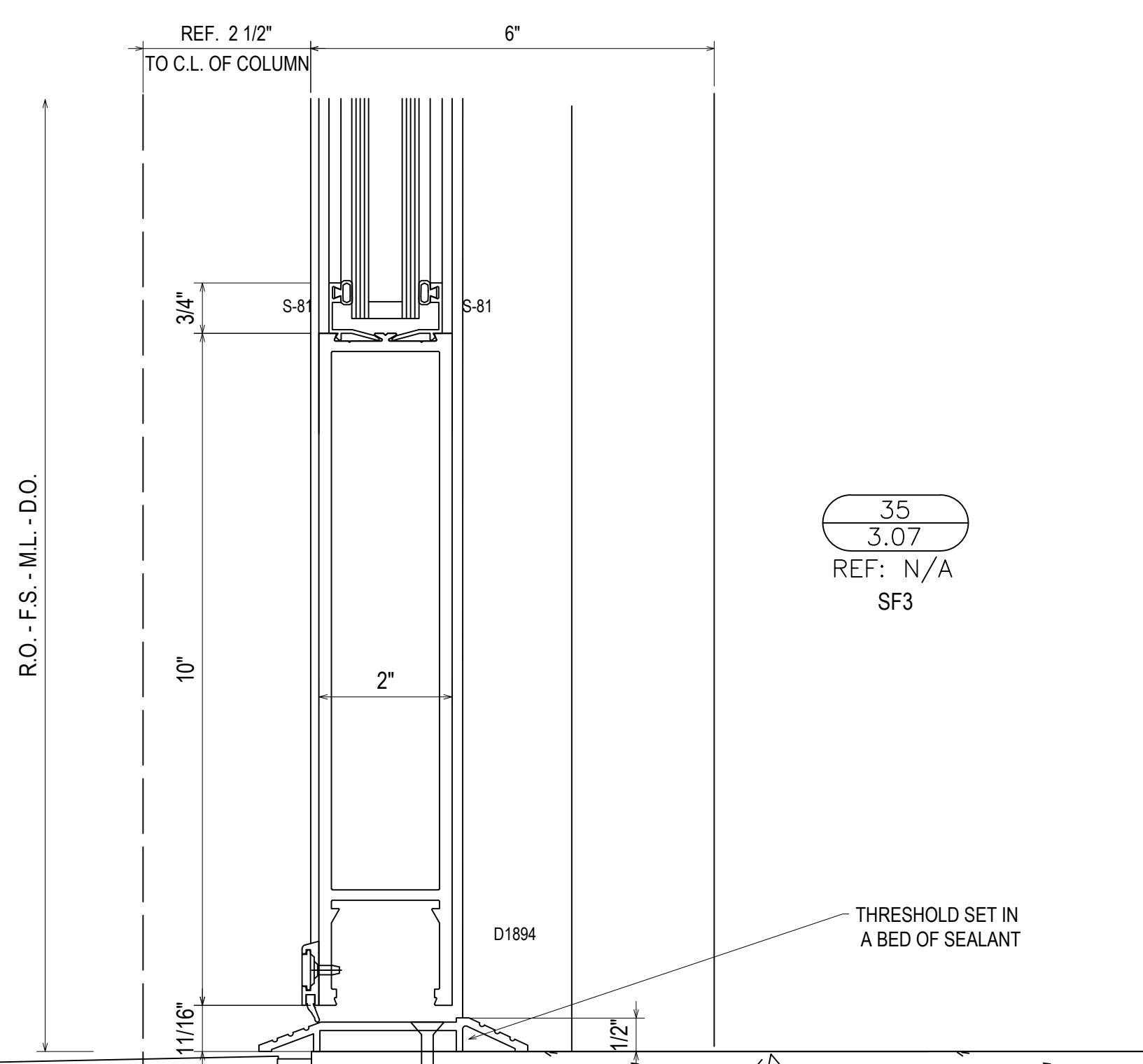


34
3.07
REF: N/A
SF3



36
3.07
REF: N/A
SF3

37
3.07
REF: N/A
SF3



35
3.07
REF: N/A
SF3

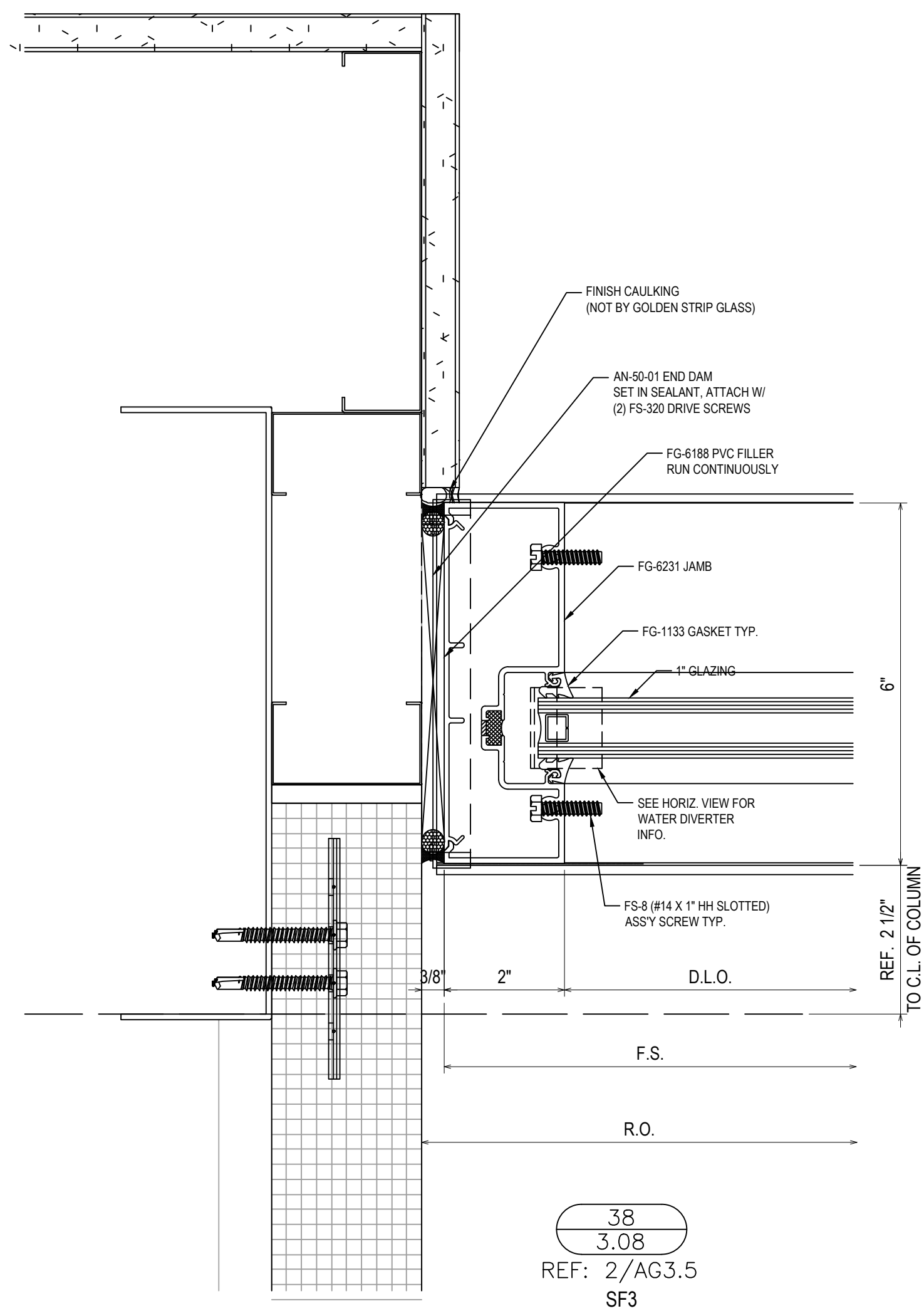
REV.	DESCRIPTION	DATE
1	1ST REVISION	02/23
NO	DESCRIPTION	
	DRAWING SUBMISSION	

CLEMSON UNIVERSITY WOMEN'S SPORTS EXPANSION
GYMNASTICS
 EAST BEACH DRIVE
 CLEMSON, SC 29631

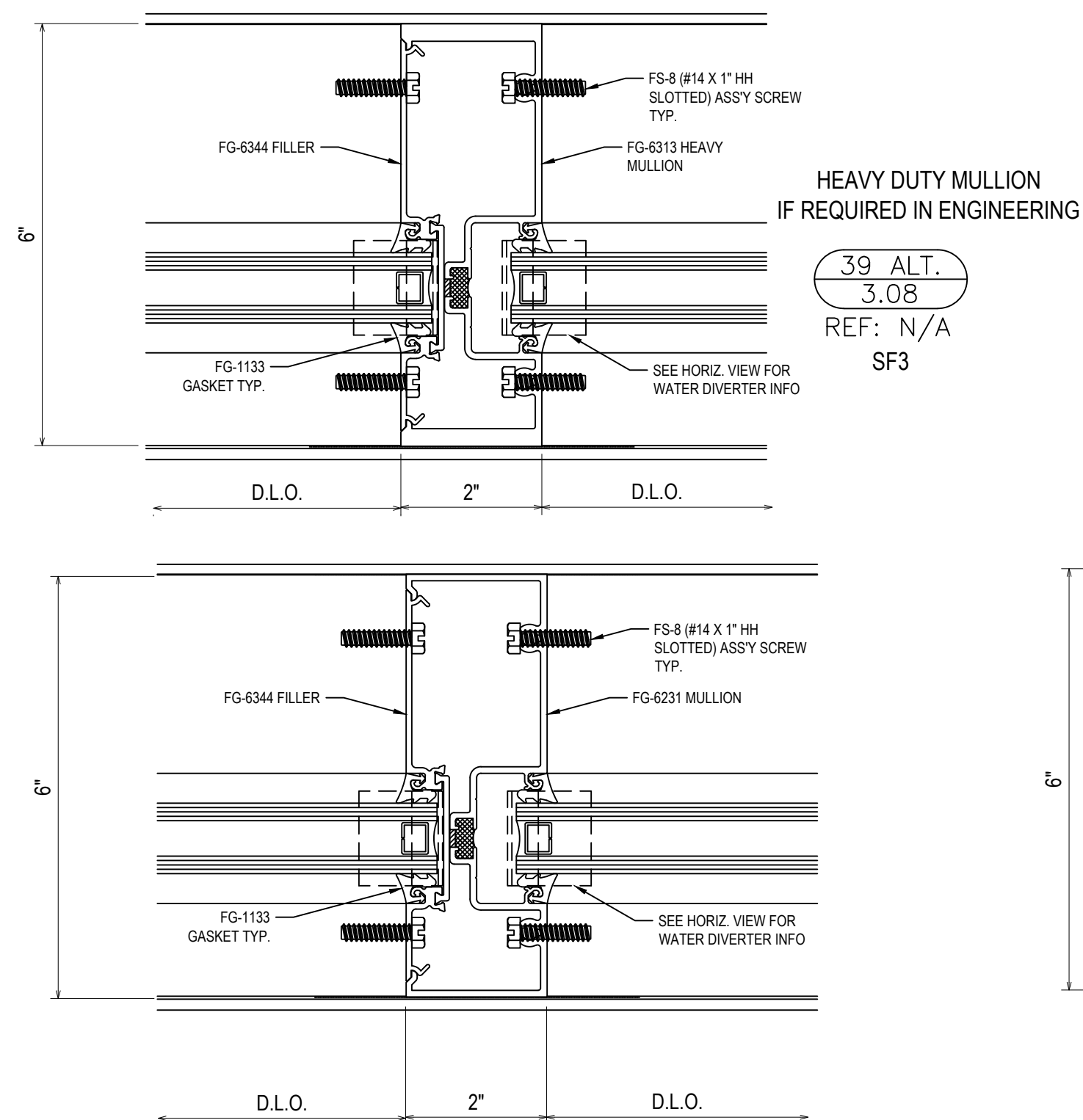
GOLDEN STRIP GLASS
 343 MILLER ROAD
 MAULDIN, SC 29662
 864-297-9889, 864-286-6730 FAX
 WWW.GOLDENSTRIPMIRROR.COM

DRAWN BY:	DATE:
CW	02/14/23
CHECKED BY:	DATE:
BP	02/14/23

3.07



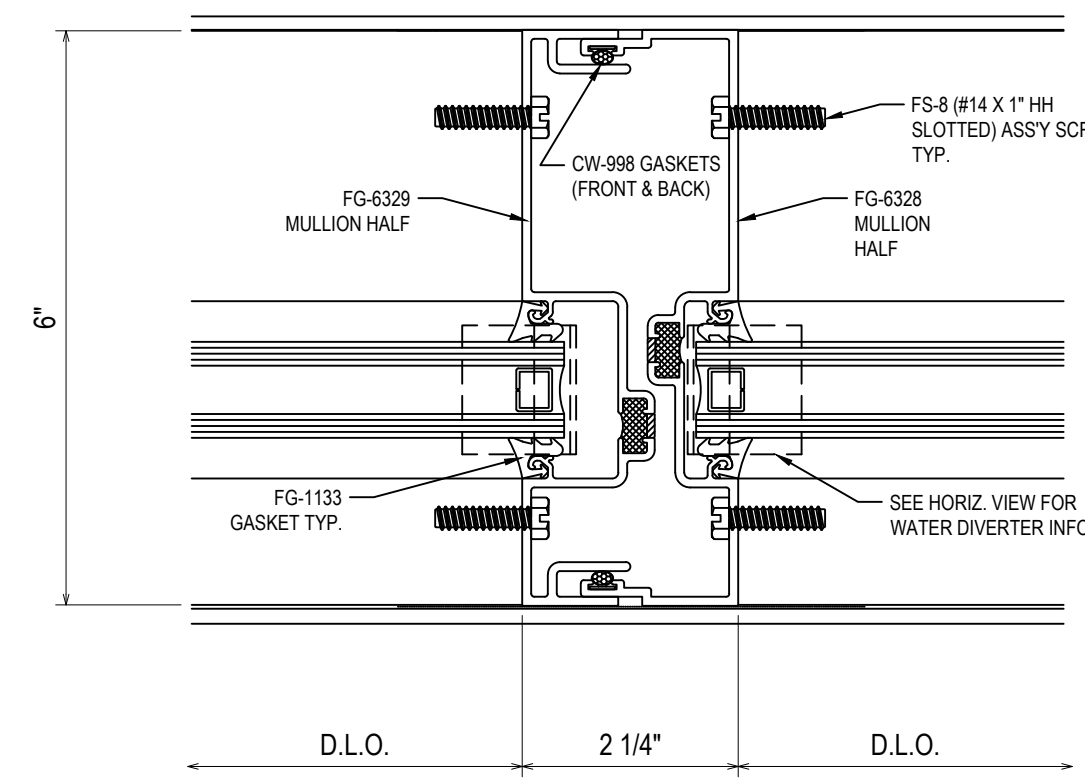
38
3.08
REF: 2/AG3.5
SF3



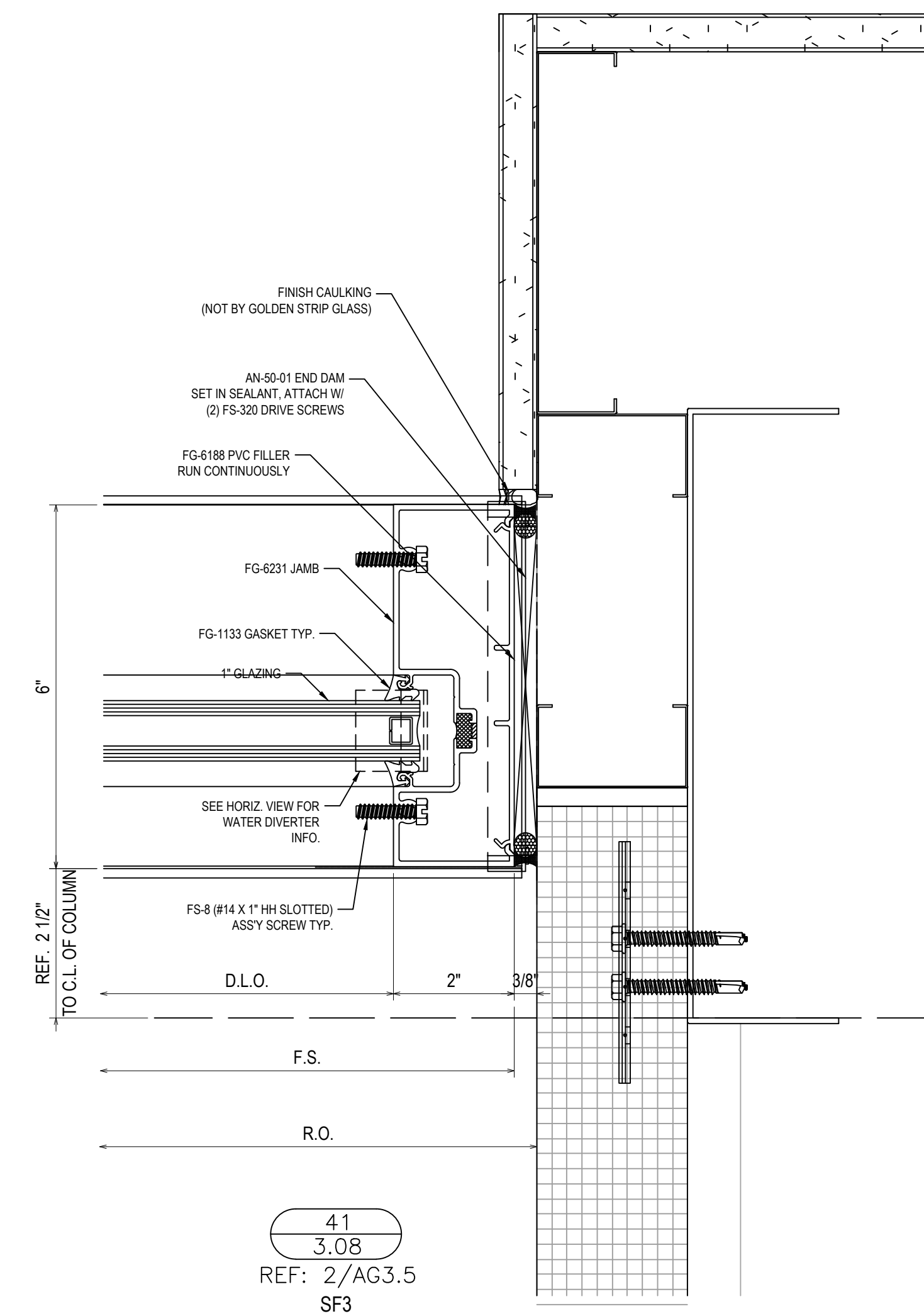
HEAVY DUTY MULLION
IF REQUIRED IN ENGINEERING

39 ALT.
3.08
REF: N/A
SF3

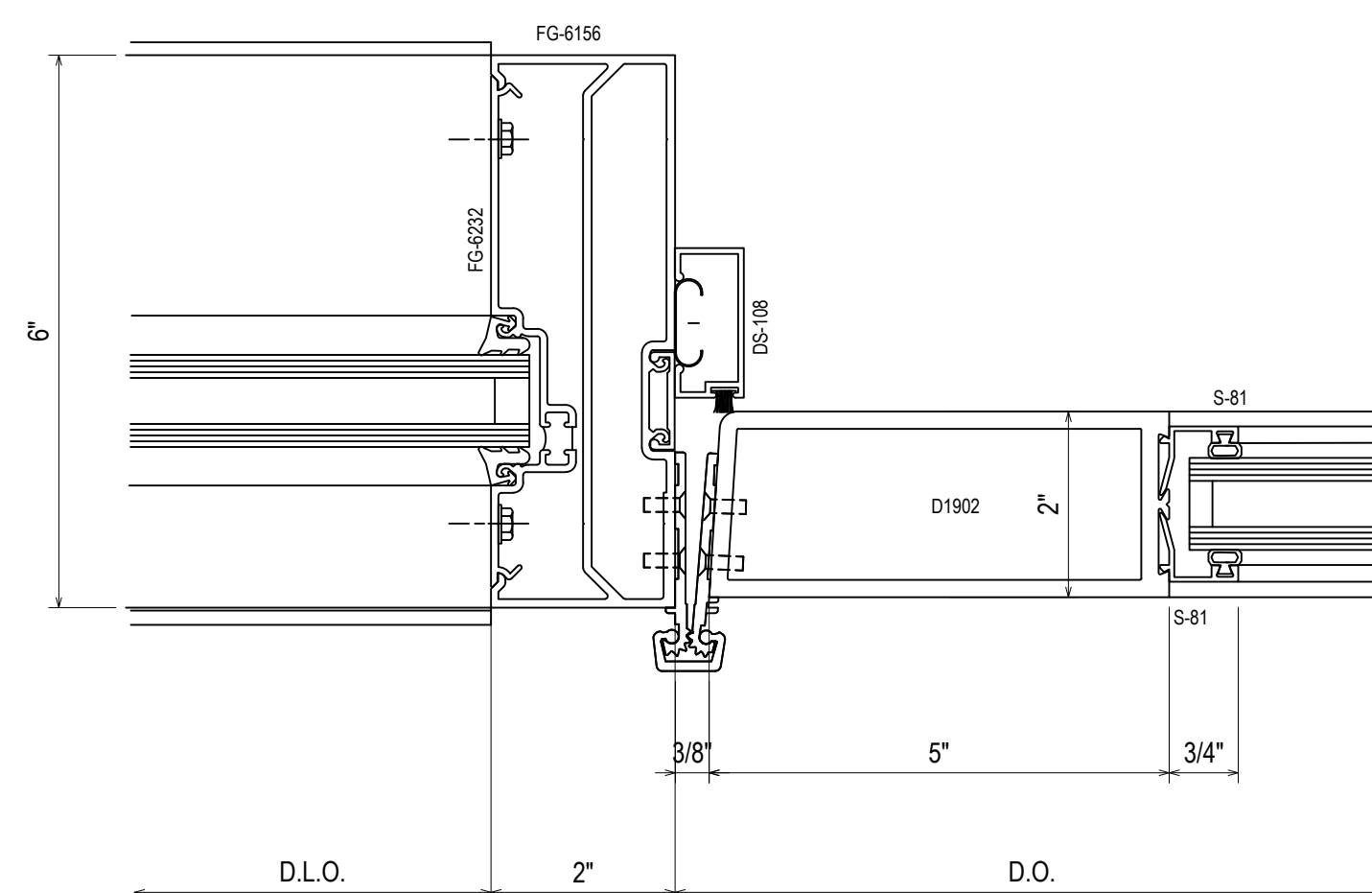
39
3.08
REF: N/A
SF3



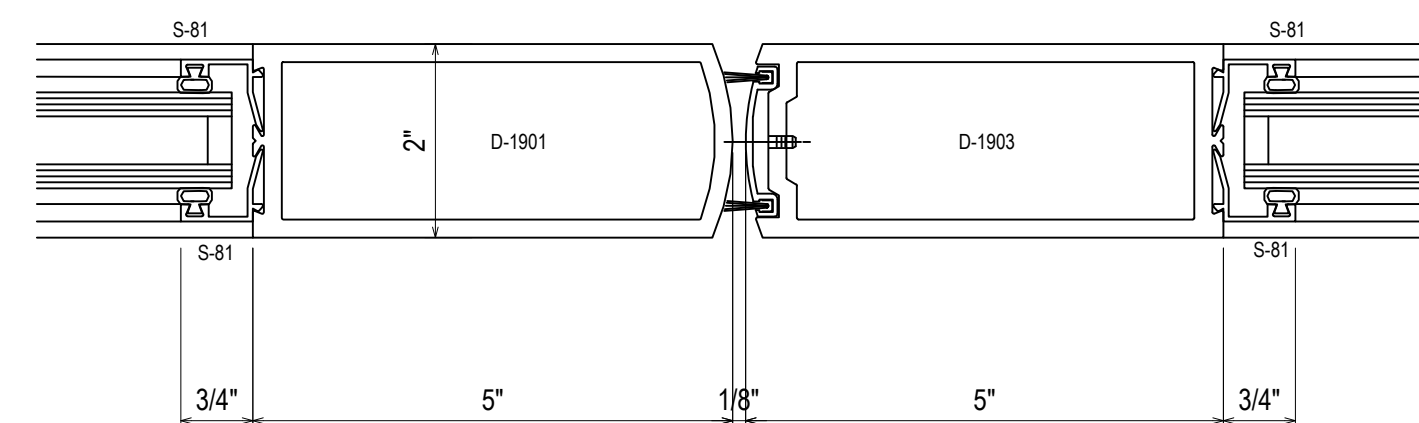
40
3.08
REF: N/A
SF3



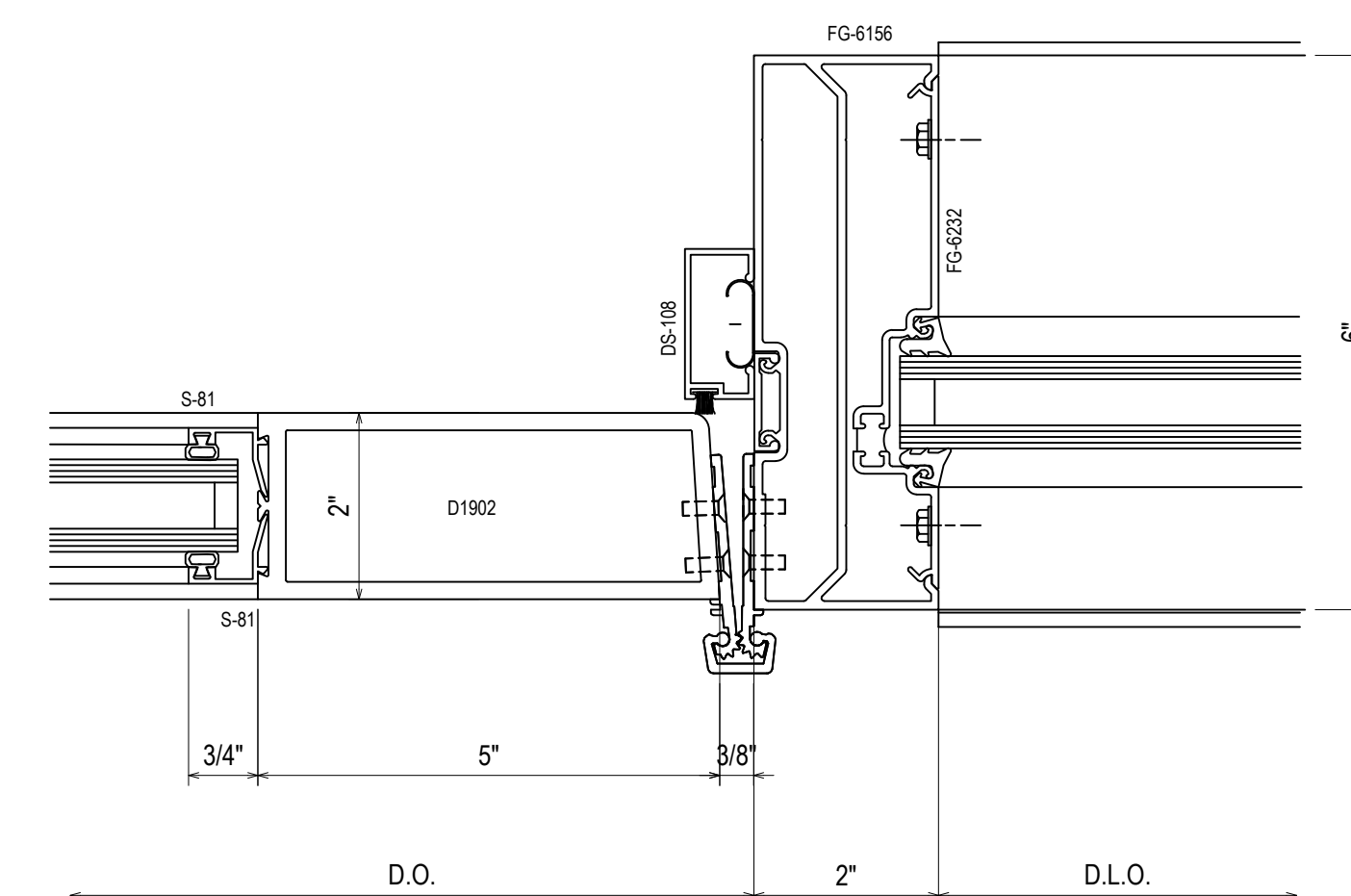
41
3.08
REF: 2/AG3.5
SF3



42
3.08
REF: N/A
SF3



43
3.08
REF: N/A
SF3



44
3.08
REF: N/A
SF3

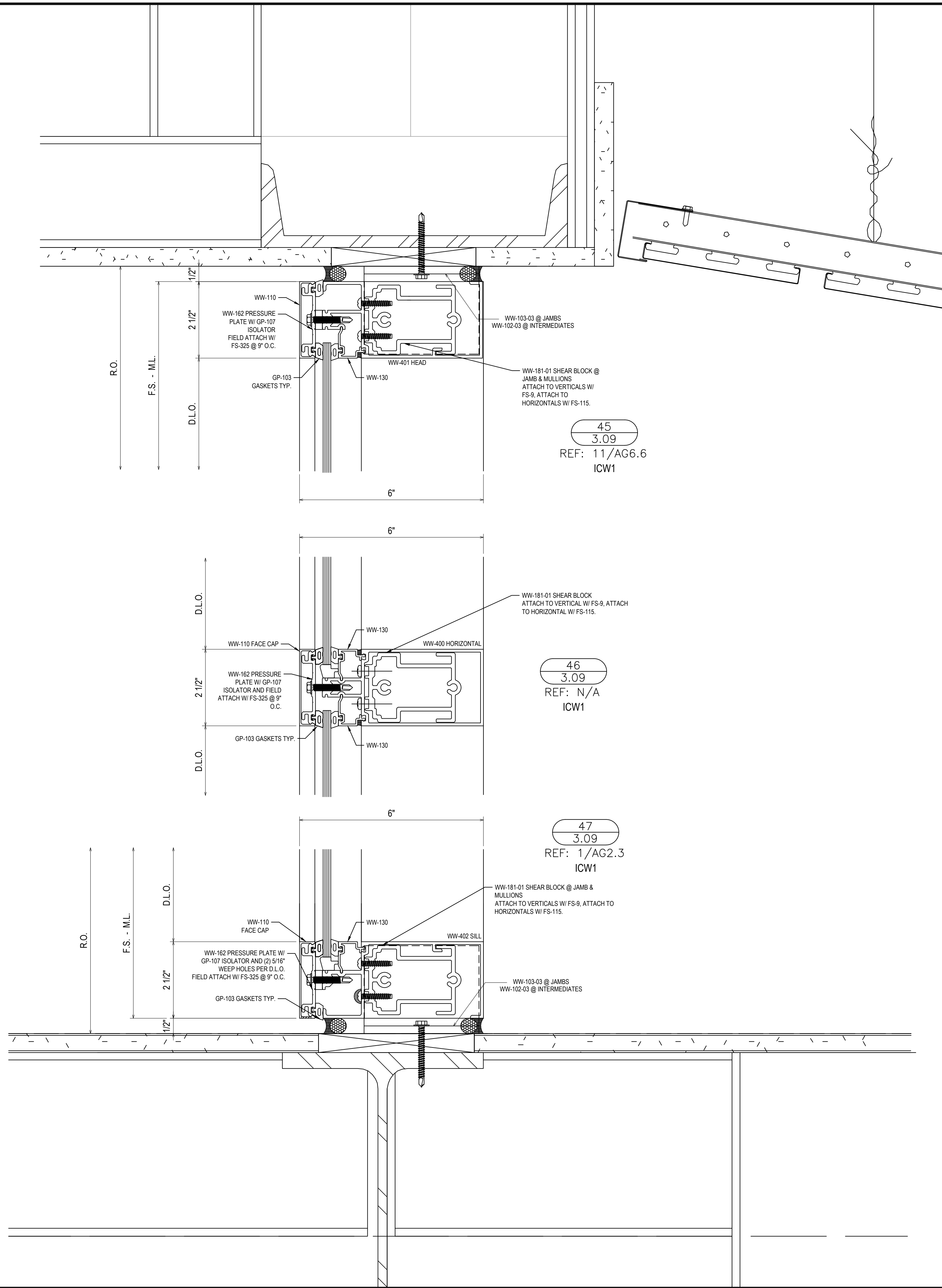
DATE	4/2/23
DESCRIPTION	1ST REVISION
REV.	NO
DESCRIPTION	SUBMISSION

CLEMSON UNIVERSITY WOMEN'S SPORTS EXPANSION
GYMNASTICS
 EAST BEACH DRIVE
 CLEMSON, SC 29631

GOLDEN STRIP GLASS
 343 MILLER ROAD
 MAULDIN, SC 29662
 864-297-9889, 864-286-6730 FAX
 WWW.GOLDENSTRIPMIRROR.COM

DRAWN BY:	DATE:
CW	02/14/23
CHECKED BY:	DATE:
BP	02/14/23

3.08



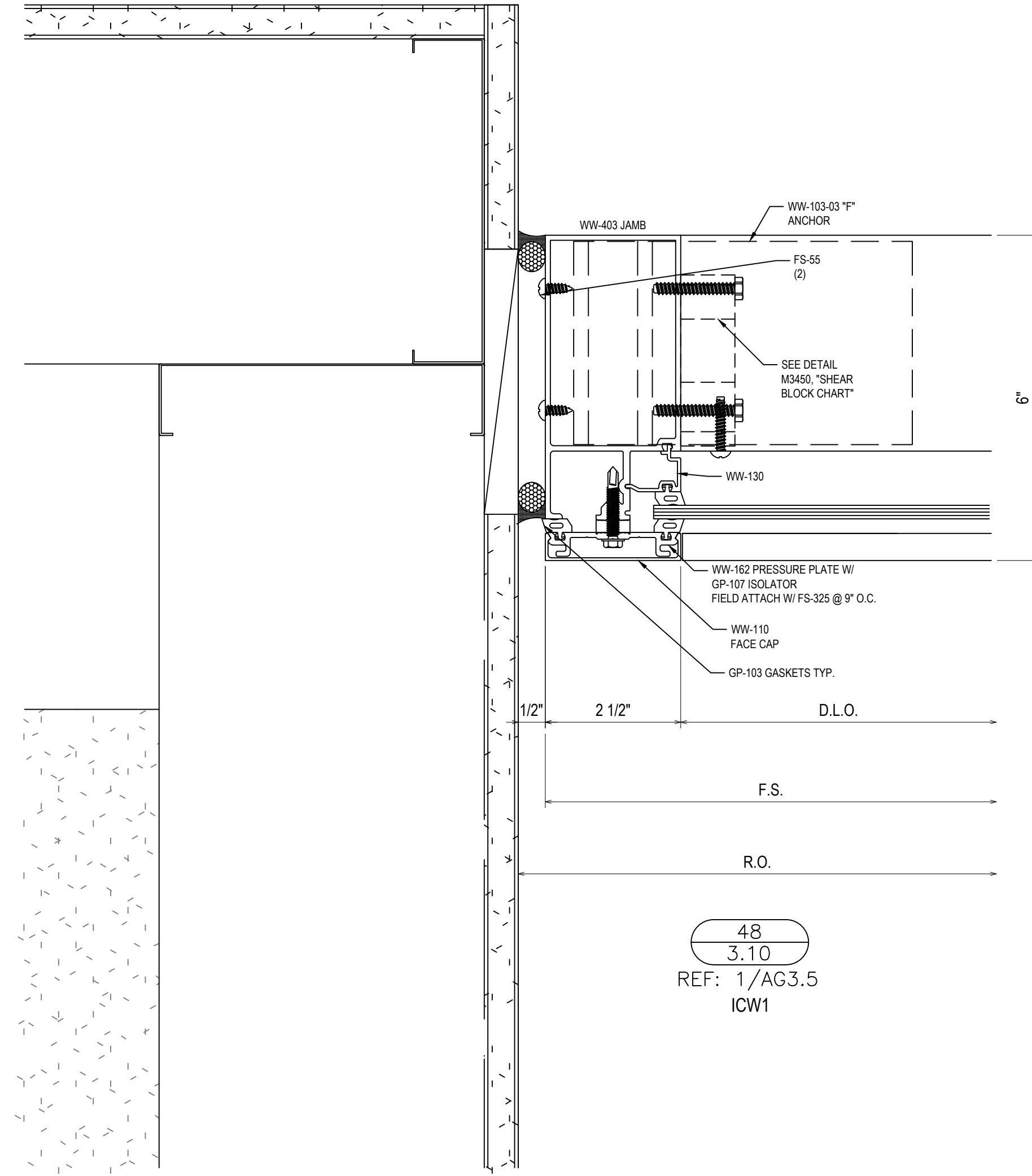
REV.	DESCRIPTION	DATE
1	1ST REVISION	07/23
NO	DESCRIPTION	
	DRAWING SUBMISSION	

**CLEMSON UNIVERSITY WOMENS SPORTS EXPANSION
GYMNASTICS
EAST BEACH DRIVE
CLEMSON, SC 29631**

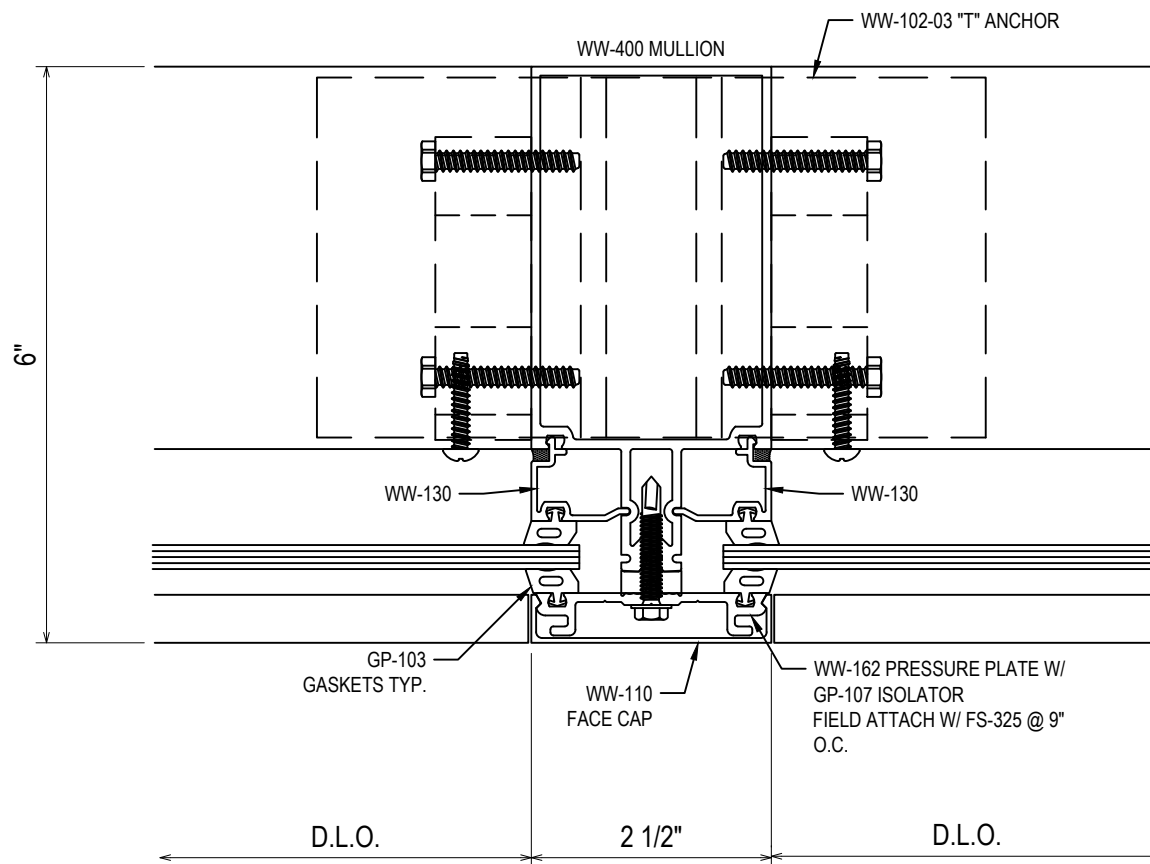
GOLDEN STRIP GLASS
343 MILLER ROAD
MAULDIN, SC 29662
864-297-9889, 864-286-6730 FAX
WWW.GOLDENSTRIPMIRROR.COM

DRAWN BY:	DATE:
CW	02/14/23
CHECKED BY:	DATE:
BP	02/14/23

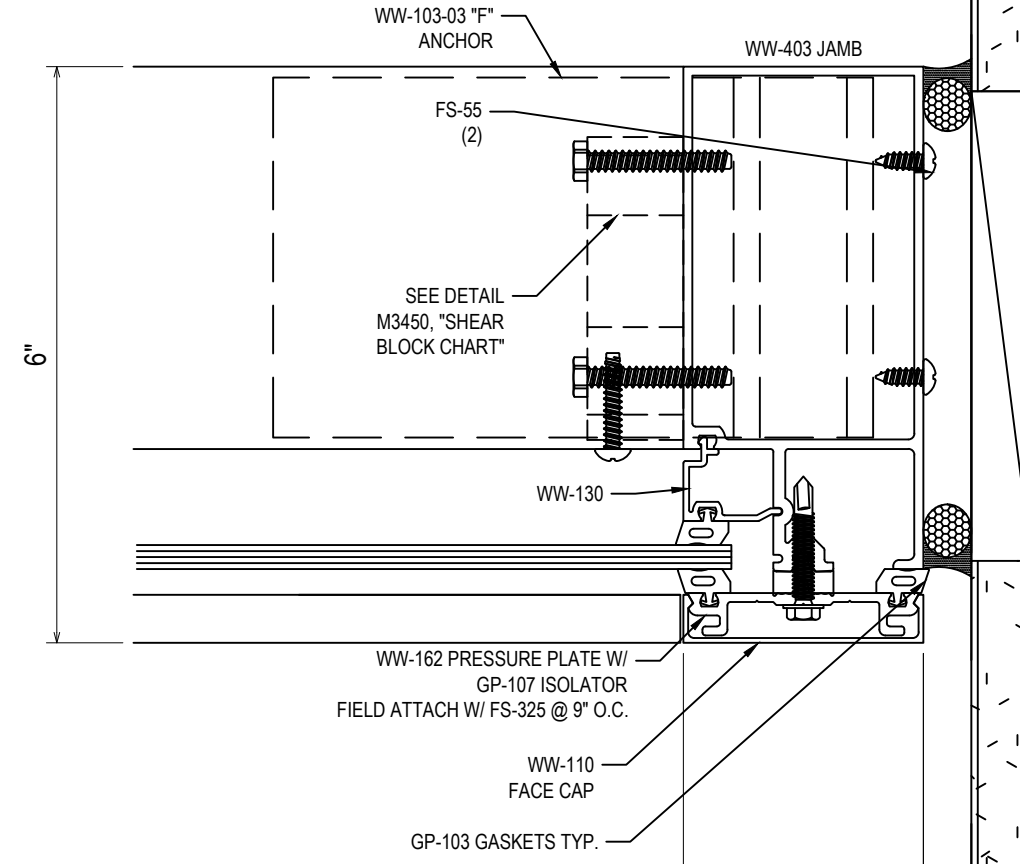
3.09



48
3.10
REF: 1/AG3.5
ICW1



49
3.10
REF: N/A
ICW1



50
3.10
REF: 1/AG3.5
ICW1

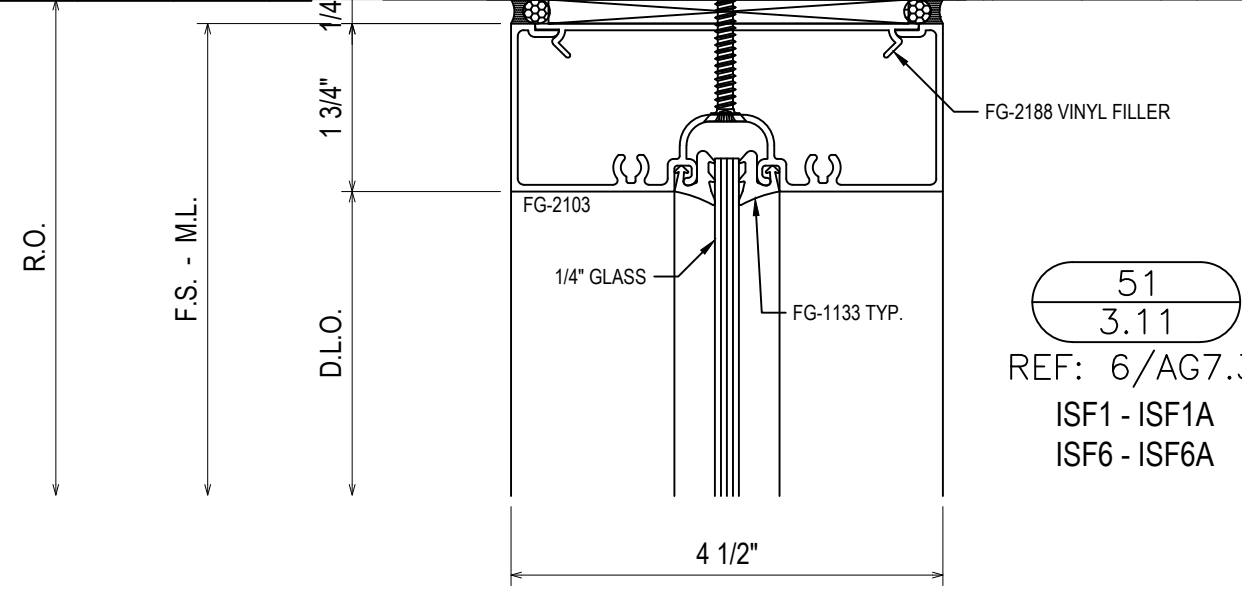
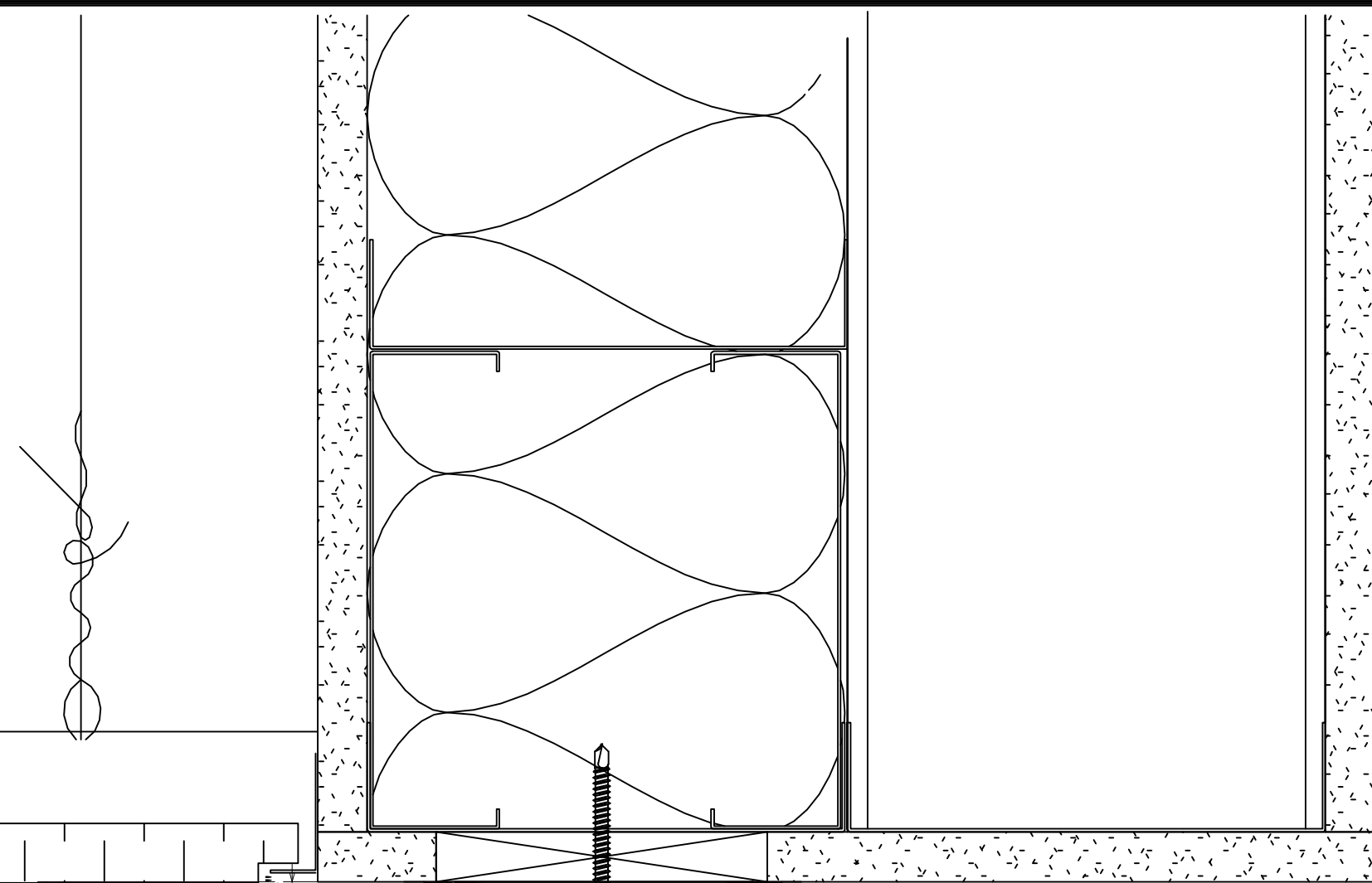
REV.	DESCRIPTION	DATE
1	1ST REVISION	02/23
NO	DESCRIPTION	
	DRAWING SUBMISSION	

CLEMSON UNIVERSITY WOMEN'S SPORTS EXPANSION
GYMNASTICS
 EAST BEACH DRIVE
 CLEMSON, SC 29631

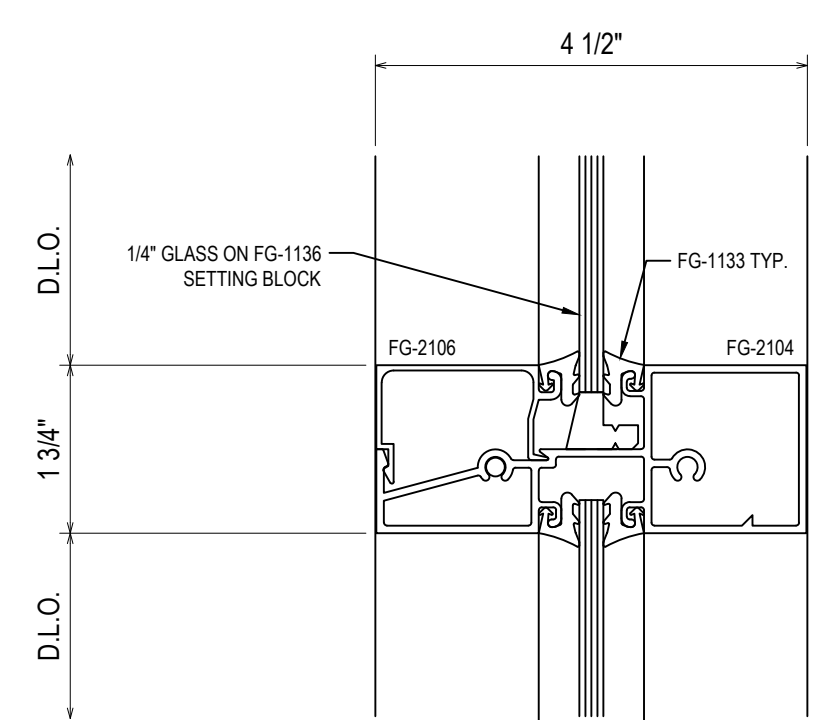
GOLDEN STRIP GLASS
 343 MILLER ROAD
 MAULDIN, SC 29662
 864-297-9889, 864-286-6730 FAX
 WWW.GOLDENSTRIPMIRROR.COM

DRAWN BY:	DATE:
CW	02/14/23
CHECKED BY:	DATE:
BP	02/14/23

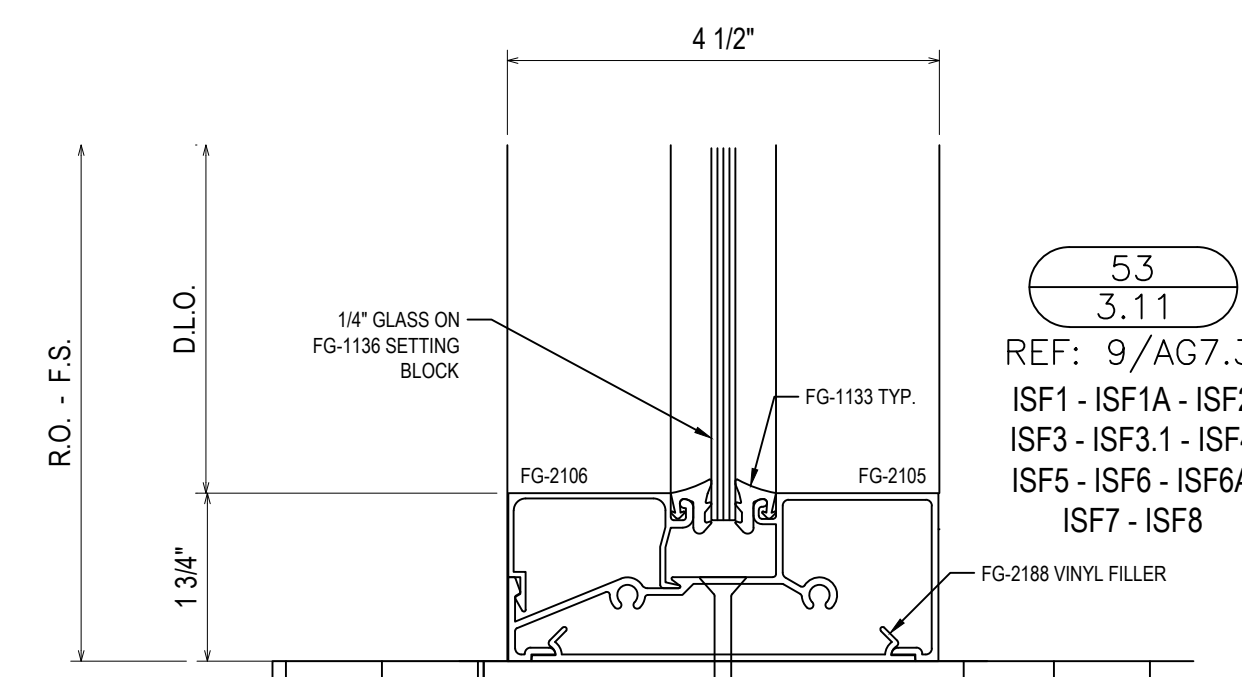
3.10



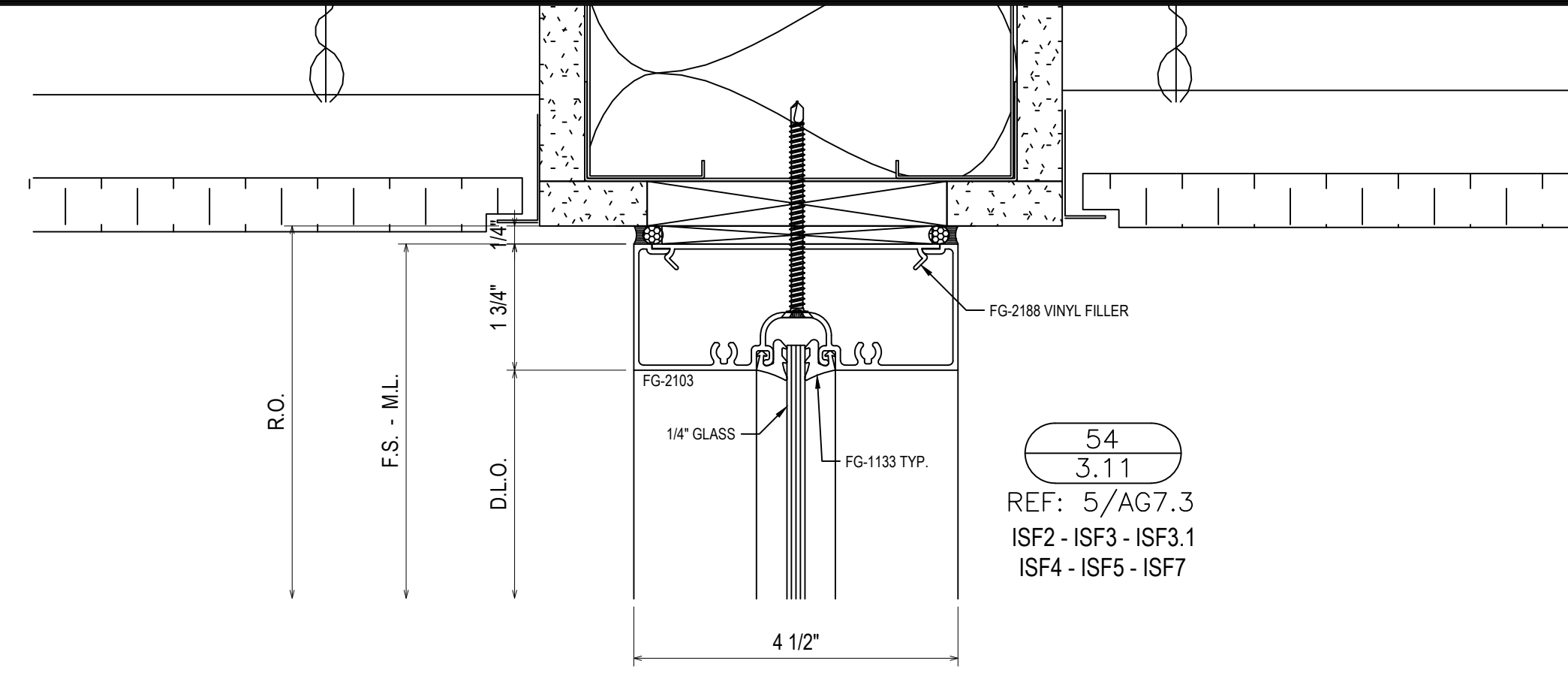
51
3.11
REF: 6/AG7.3
ISF1 - ISF1A
ISF6 - ISF6A



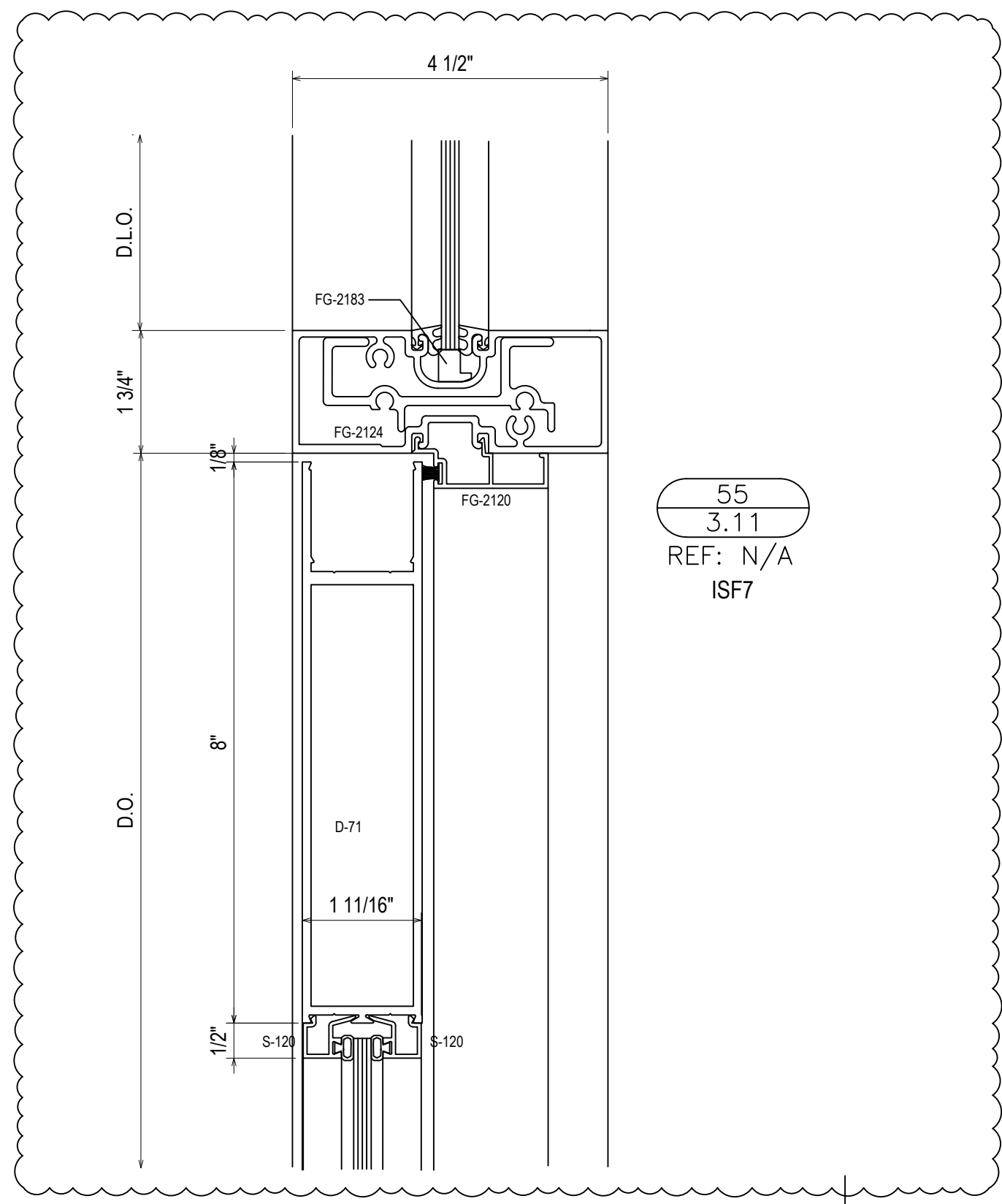
52
3.11
REF: N/A
ISF1 - ISF1A
ISF6 - ISF6A
ISF7 - ISF8



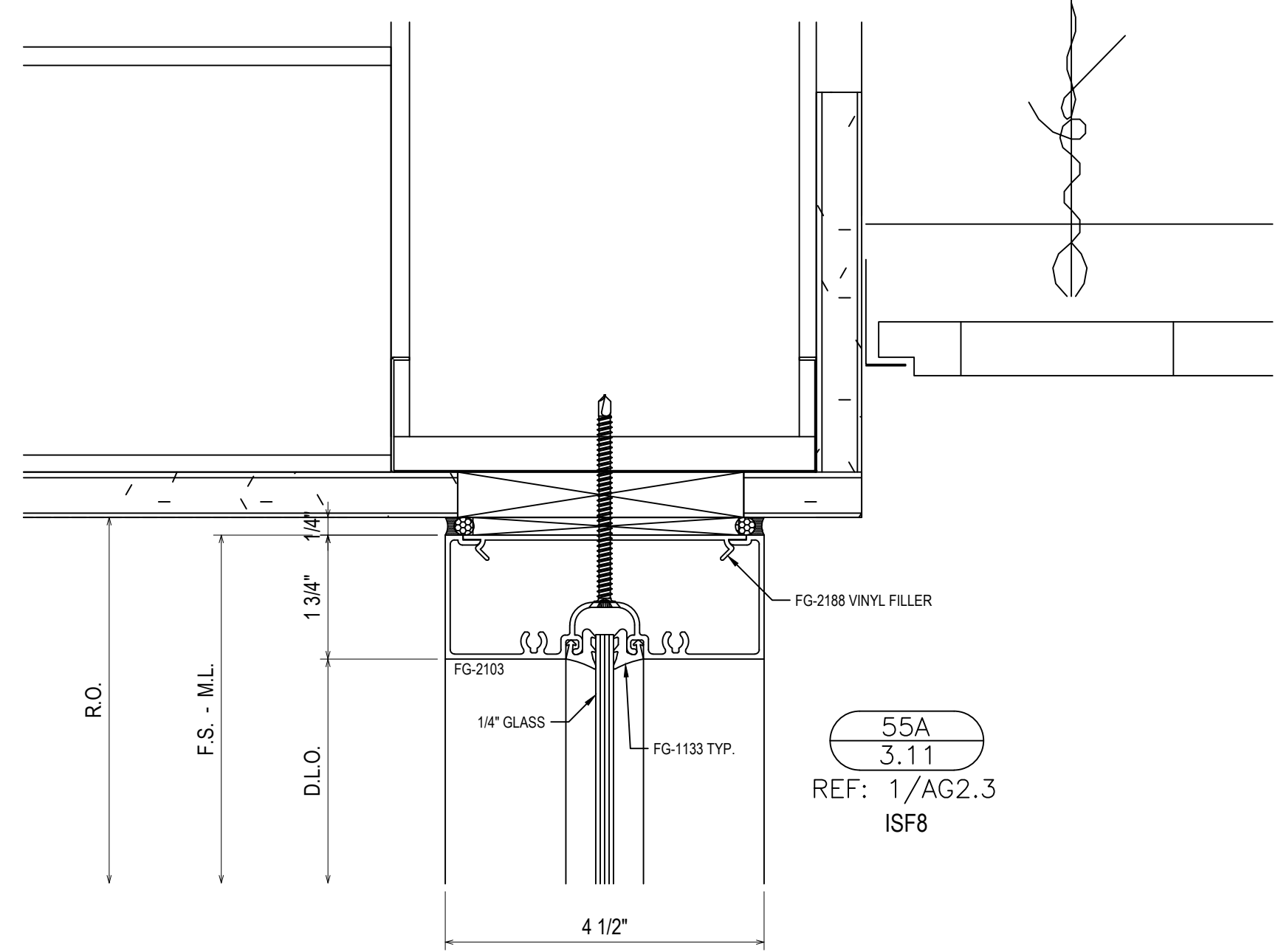
53
3.11
REF: 9/AG7.3
ISF1 - ISF1A - ISF2
ISF3 - ISF3.1 - ISF4
ISF5 - ISF6 - ISF6A
ISF7 - ISF8



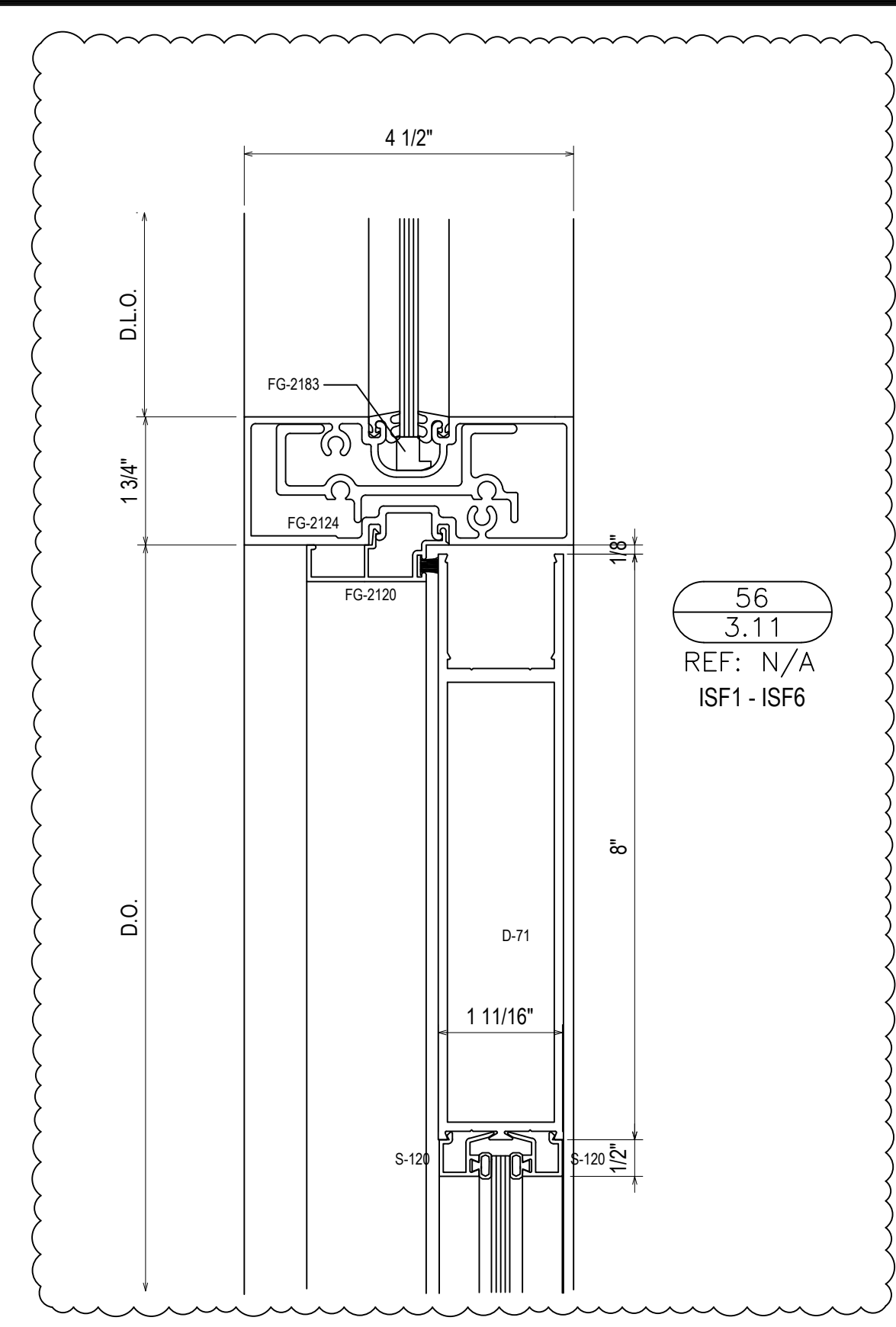
54
3.11
REF: 5/AG7.3
ISF2 - ISF3 - ISF3.1
ISF4 - ISF5 - ISF7



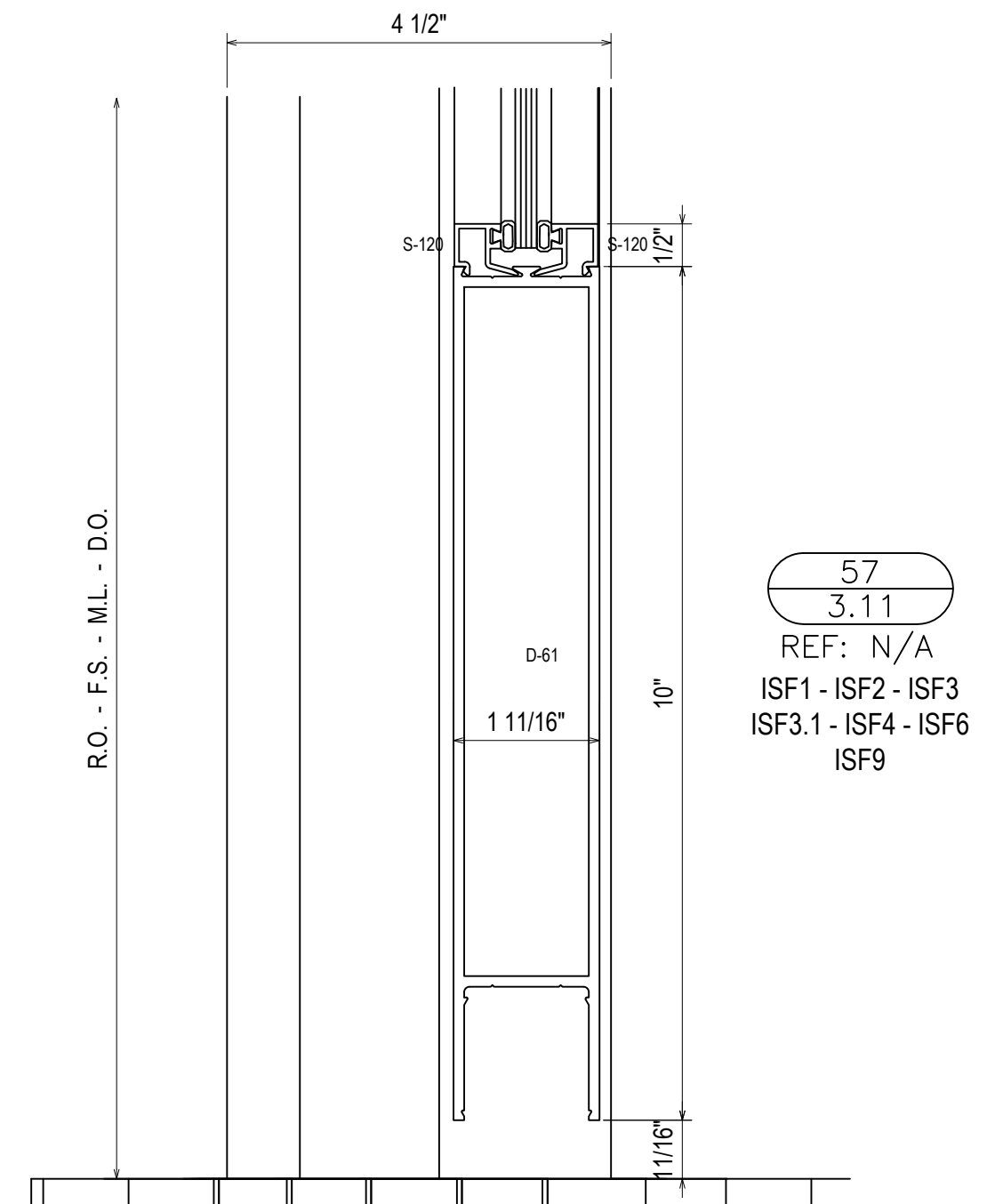
55
3.11
REF: N/A
ISF7



55A
3.11
REF: 1/AG2.3
ISF8



56
3.11
REF: N/A
ISF1 - ISF6



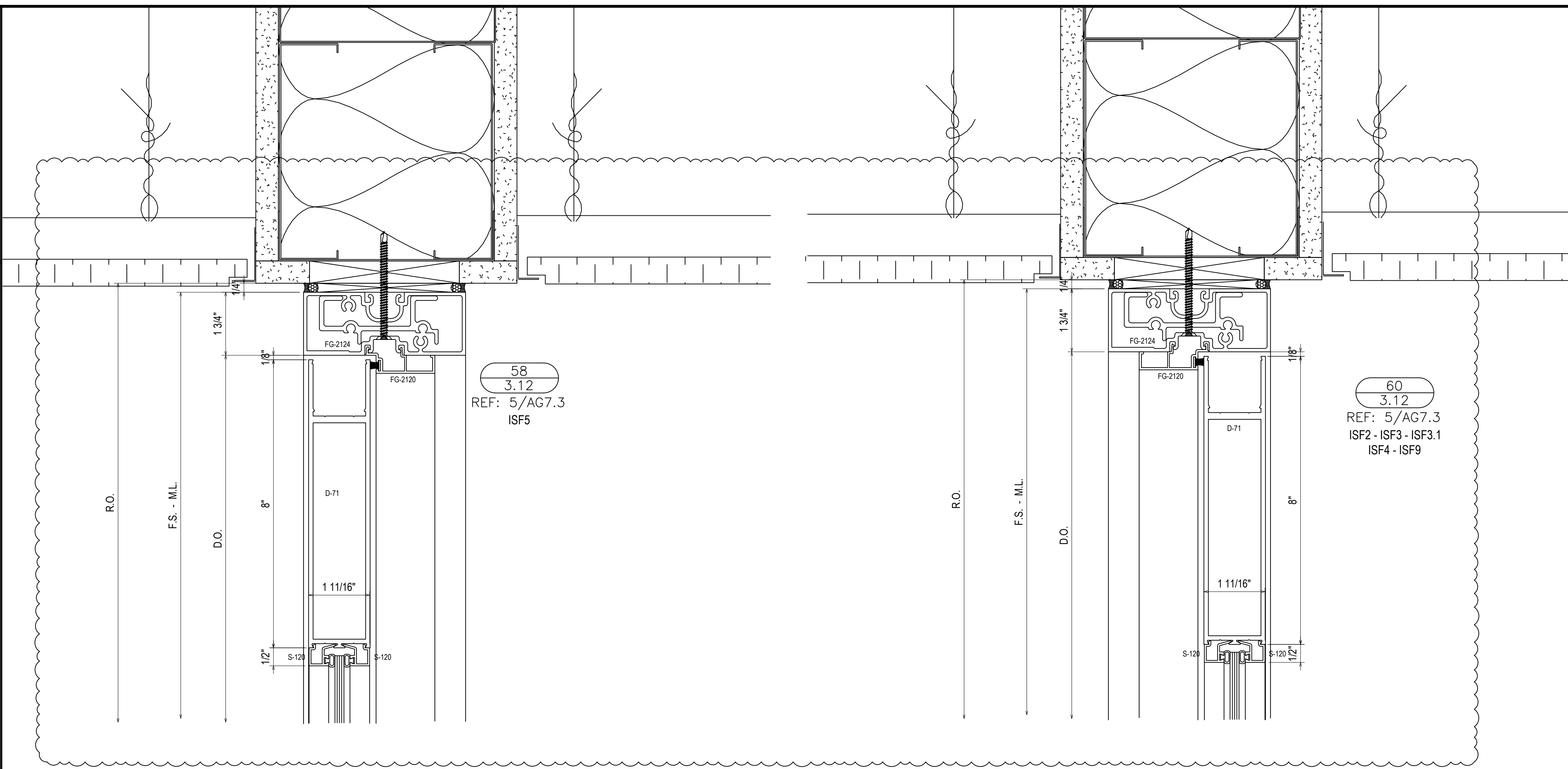
57
3.11
REF: N/A
ISF1 - ISF2 - ISF3
ISF3.1 - ISF4 - ISF6
ISF9

DATE	4/2/23
DESCRIPTION	1ST REVISION
REV.	NO
DESCRIPTION	DRAWING SUBMISSION

CLEMSON UNIVERSITY WOMEN'S SPORTS EXPANSION
GYMNASTICS
 EAST BEACH DRIVE
 CLEMSON, SC 29631

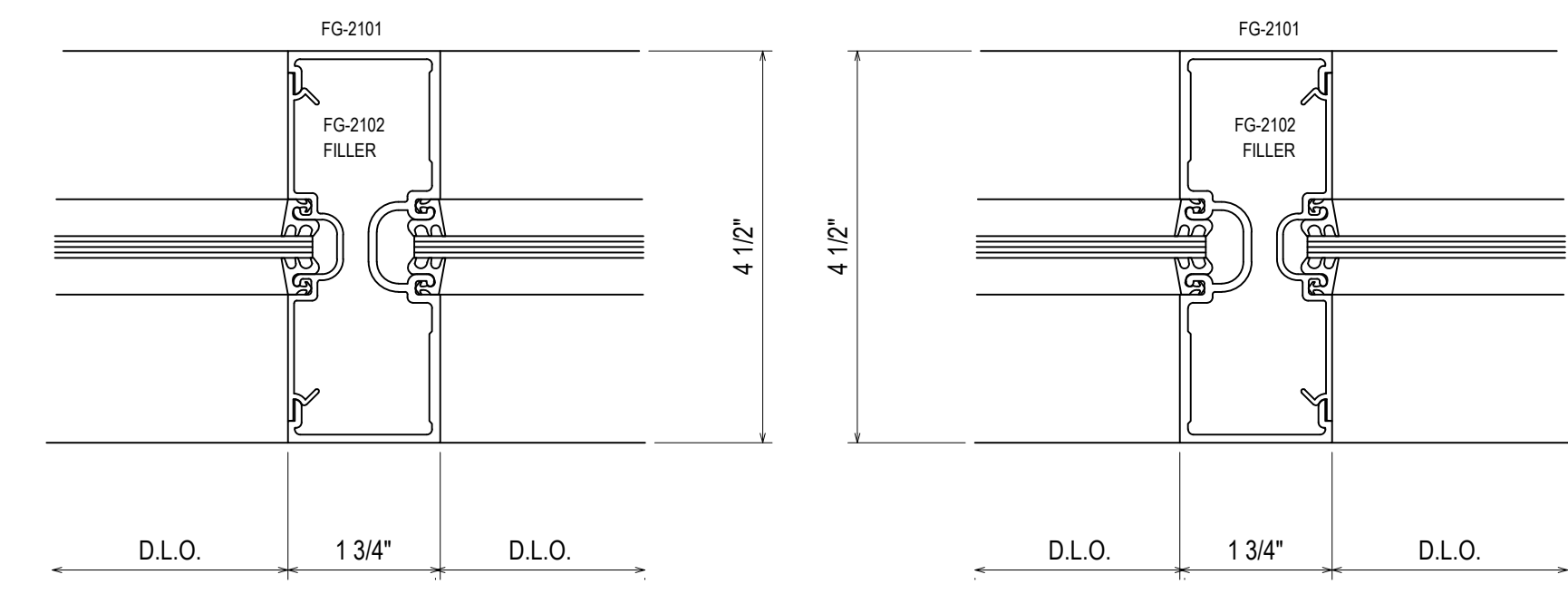
GOLDEN STRIP GLASS
 343 MILLER ROAD
 MAULDIN, SC 29662
 864-297-9889, 864-286-6730 FAX
 WWW.GOLDENSTRIPMIRROR.COM

DRAWN BY:	DATE:
CW	02/14/23
CHECKED BY:	DATE:
BP	02/14/23



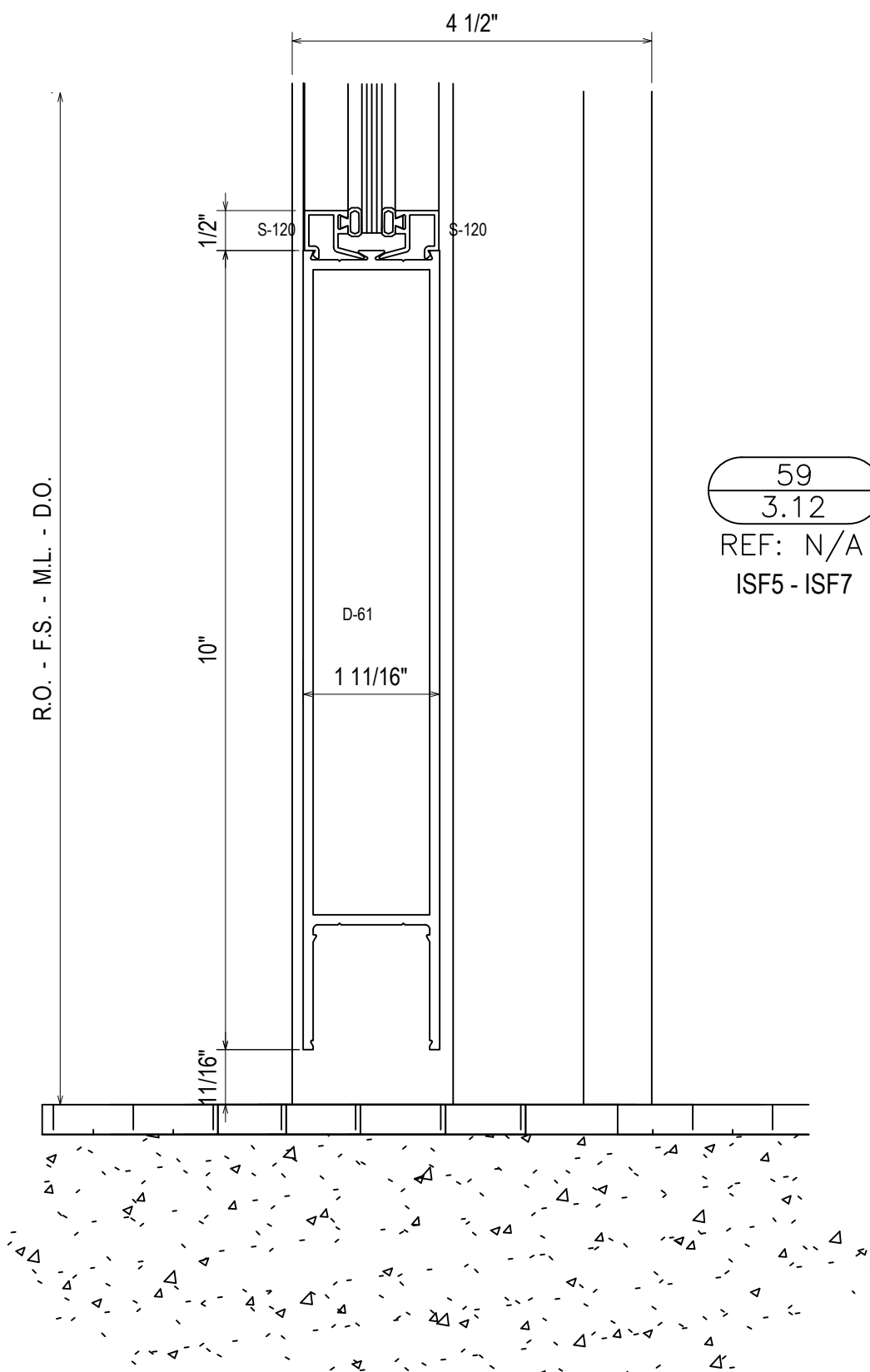
58
3.12
REF: 5/AG7.3
ISF5

60
3.12
REF: 5/AG7.3
ISF2 - ISF3 - ISF3.1
ISF4 - ISF9

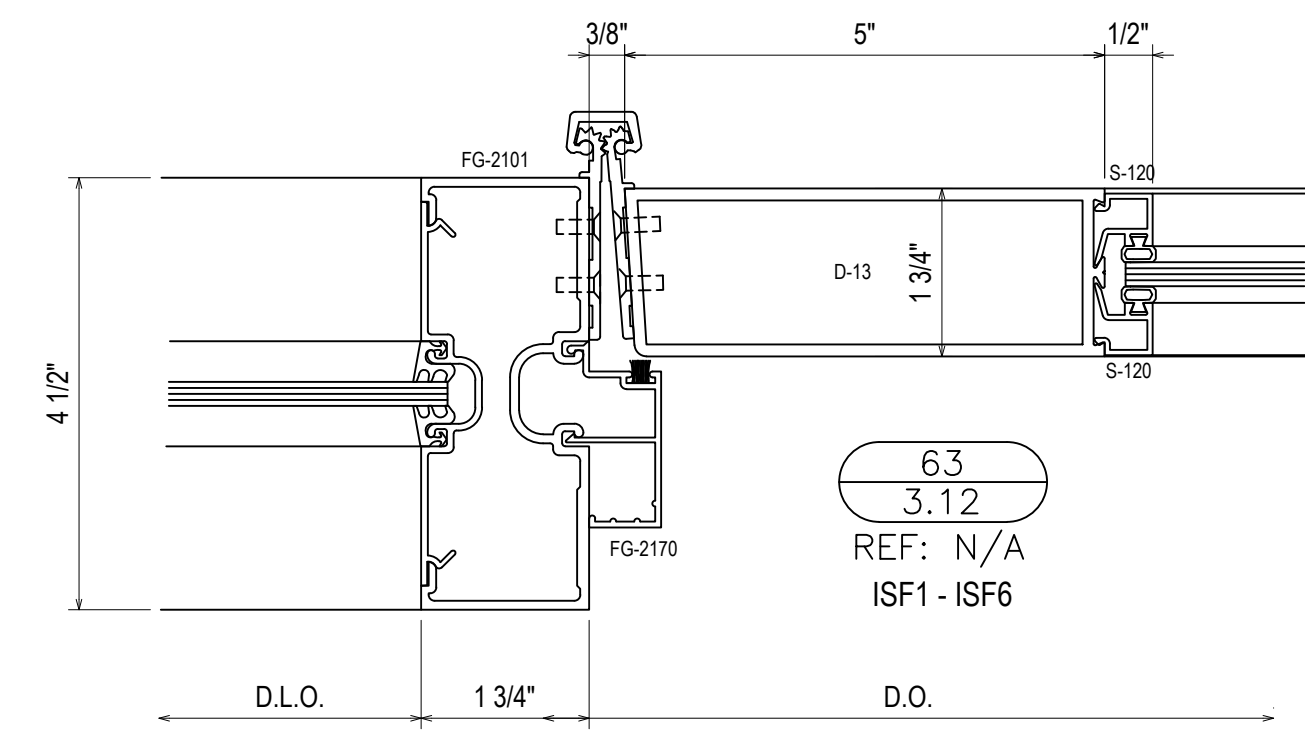


61
3.12
REF: N/A
ISF1 - ISF6 - ISF7

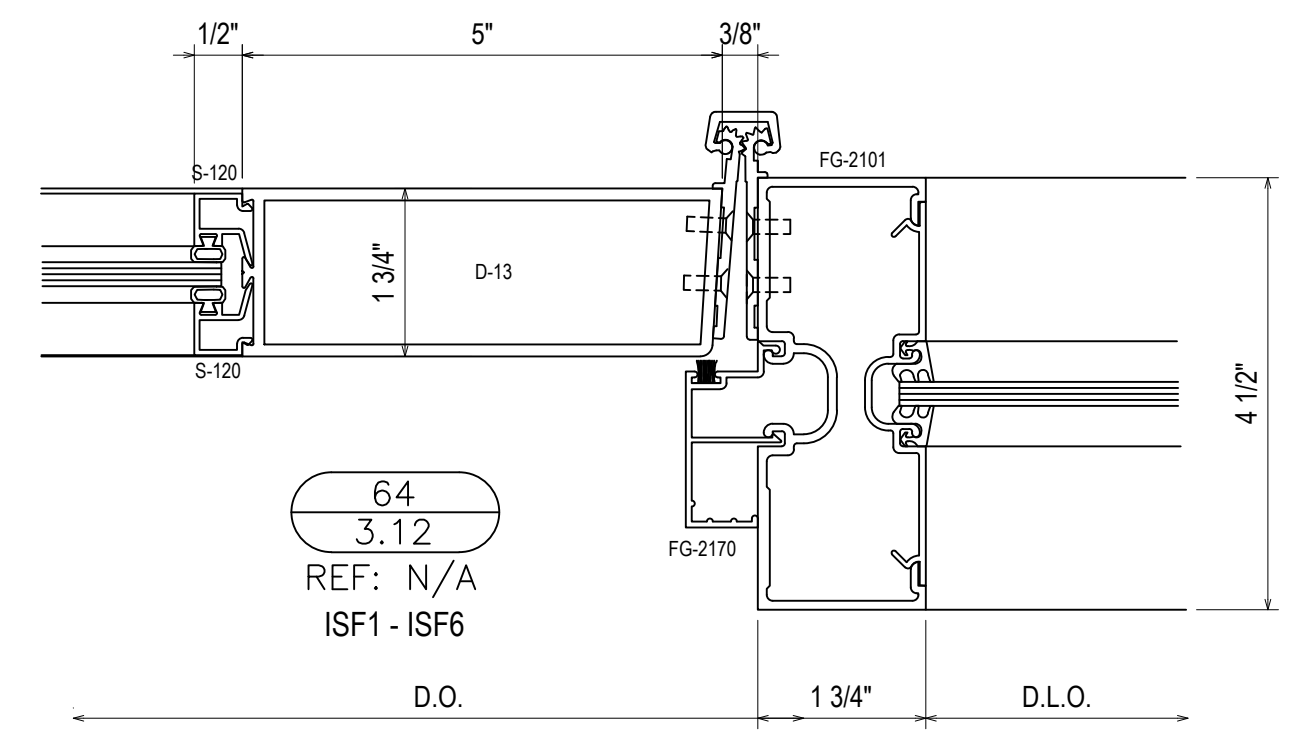
62
3.12
REF: N/A
ISF1 - ISF6



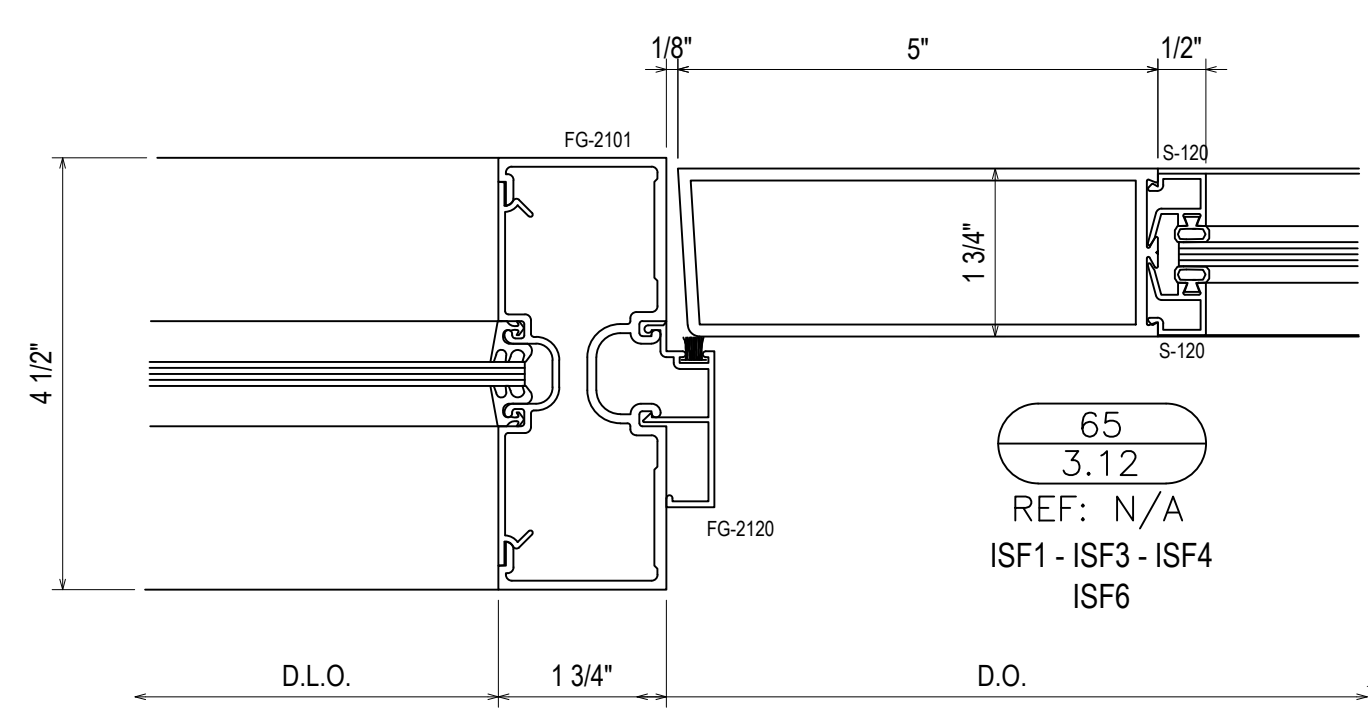
59
3.12
REF: N/A
ISF5 - ISF7



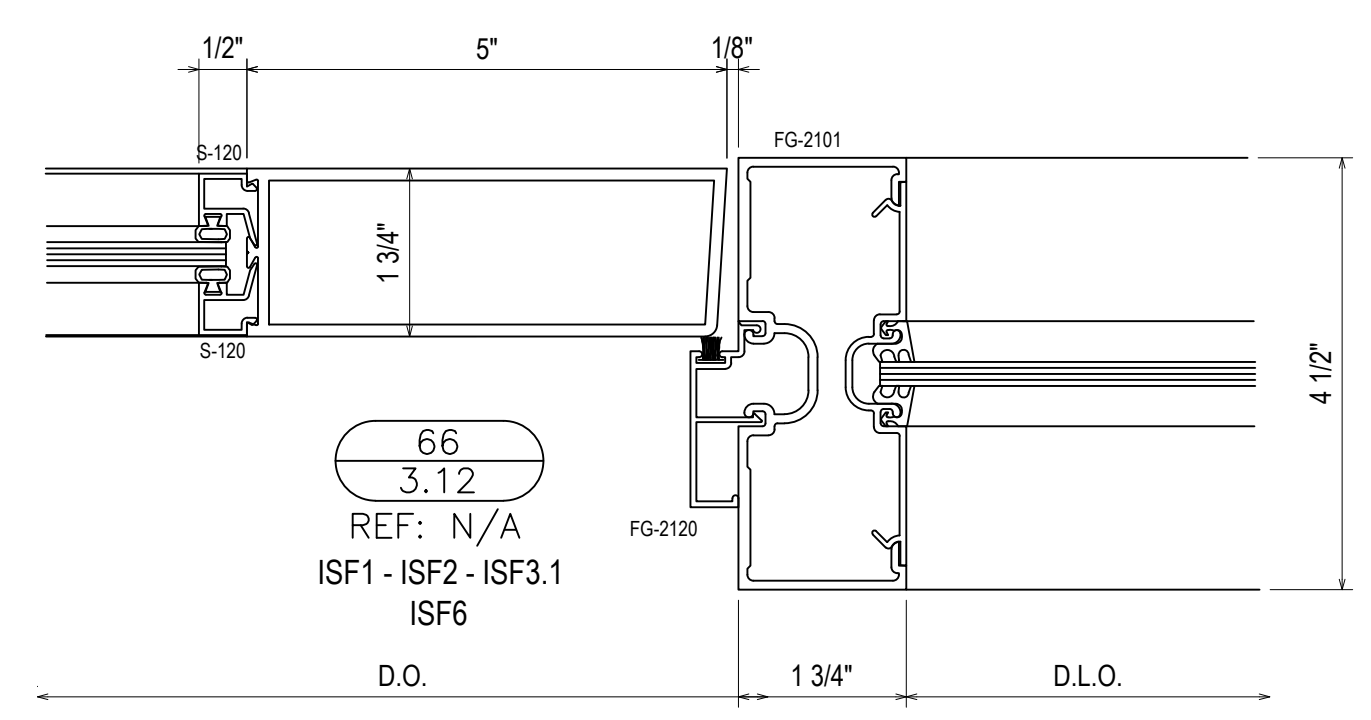
63
3.12
REF: N/A
ISF1 - ISF6



64
3.12
REF: N/A
ISF1 - ISF6



65
3.12
REF: N/A
ISF1 - ISF3 - ISF4
ISF6



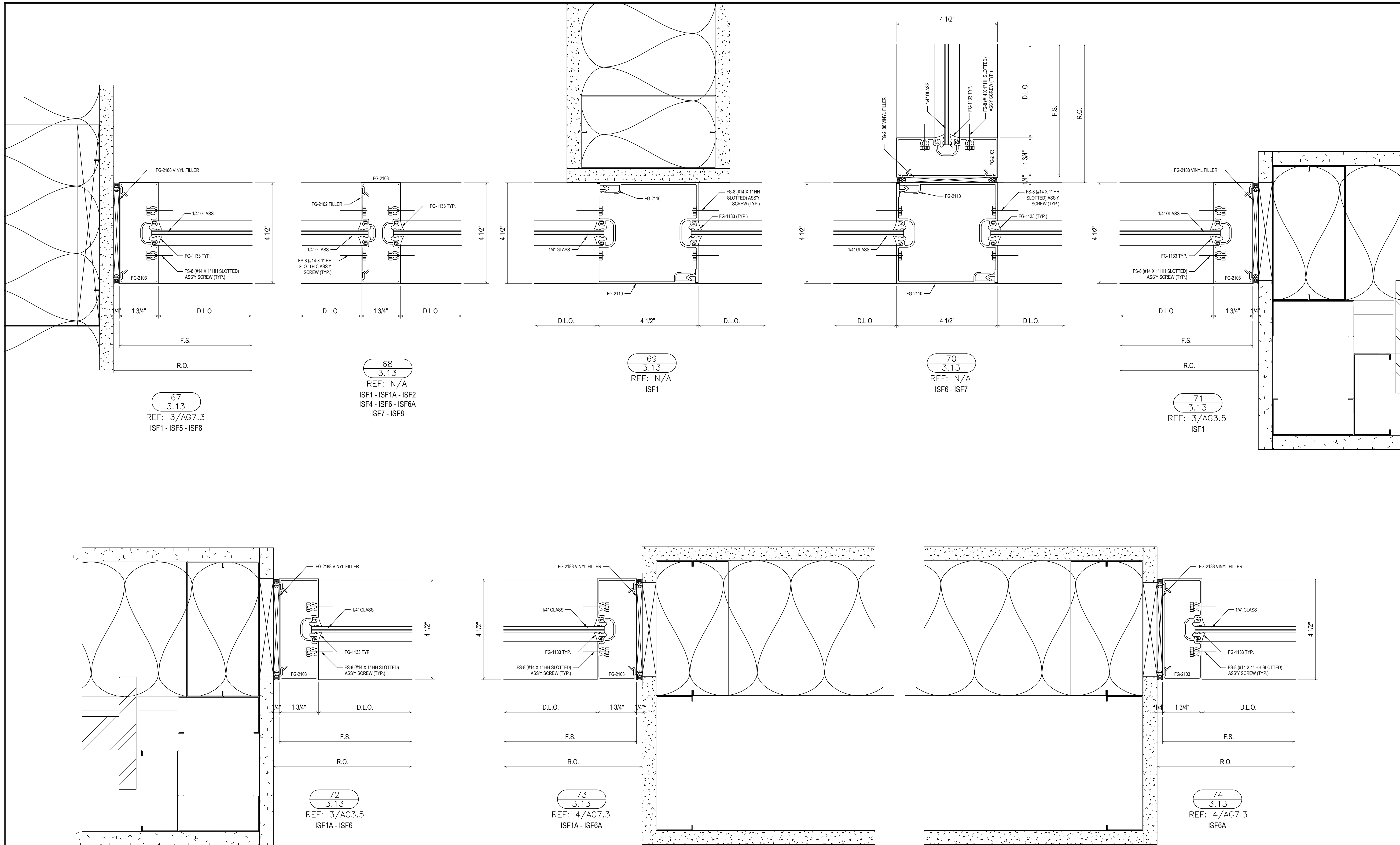
66
3.12
REF: N/A
ISF1 - ISF2 - ISF3.1
ISF6

REV.	DESCRIPTION	DATE
1	1ST REVISION	02/23
NO	DESCRIPTION	
	DRAWING SUBMISSION	

CLEMSON UNIVERSITY WOMEN'S SPORTS EXPANSION
GYMNASTICS
 EAST BEACH DRIVE
 CLEMSON, SC 29631

GOLDEN STRIP GLASS
 343 MILLER ROAD
 MAULDIN, SC 29662
 864-297-9889, 864-286-6730 FAX
 WWW.GOLDENSTRIPMIRROR.COM

DRAWN BY: CW	DATE: 02/14/23
CHECKED BY: BP	DATE: 02/14/23



67
3.13
REF: 3/AG7.3
ISF1 - ISF5 - ISF8

68
3.13
REF: N/A
ISF1 - ISF1A - ISF2
ISF4 - ISF6 - ISF6A
ISF7 - ISF8

69
3.13
REF: N/A
ISF1

70
3.13
REF: N/A
ISF6 - ISF7

71
3.13
REF: 3/AG3.5
ISF1

72
3.13
REF: 3/AG3.5
ISF1A - ISF6

73
3.13
REF: 4/AG7.3
ISF1A - ISF6A

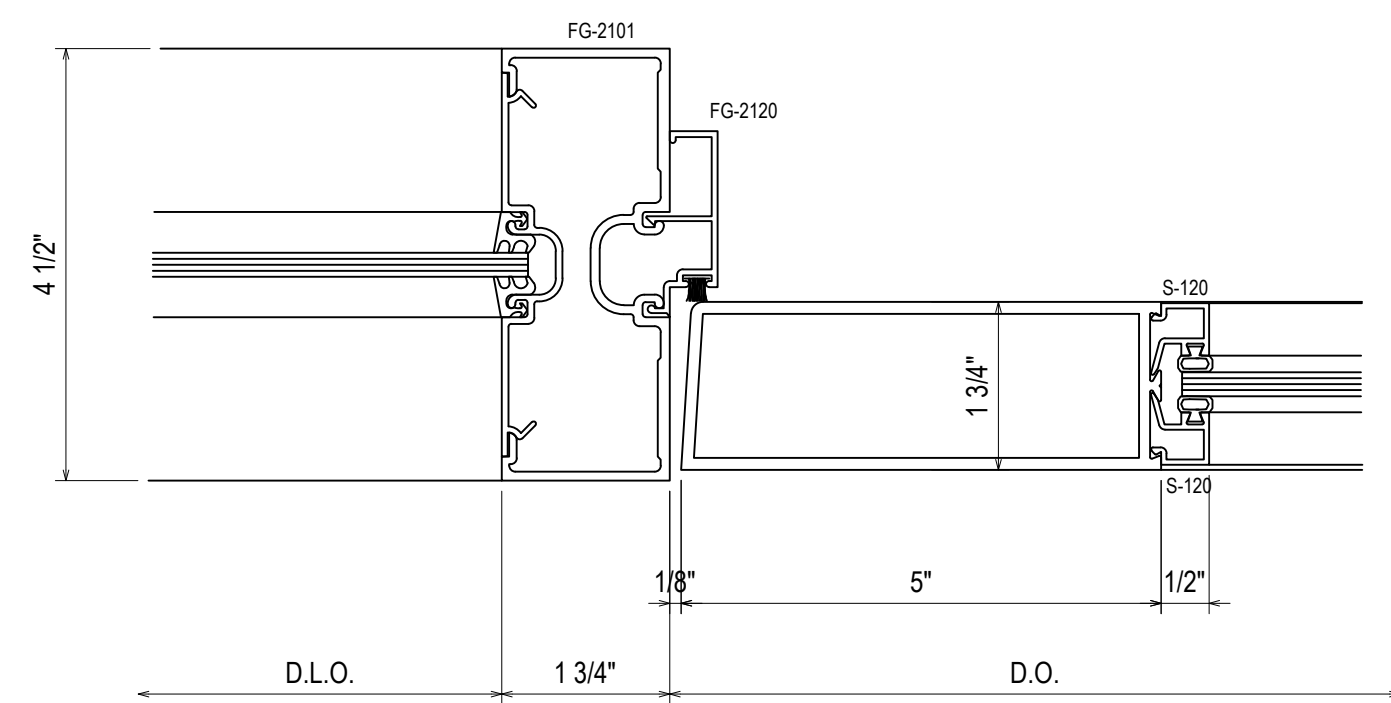
74
3.13
REF: 4/AG7.3
ISF6A

REV.	DESCRIPTION	DATE
1	1ST REVISION	02/23
NO	DESCRIPTION	
	DRAWING SUBMISSION	

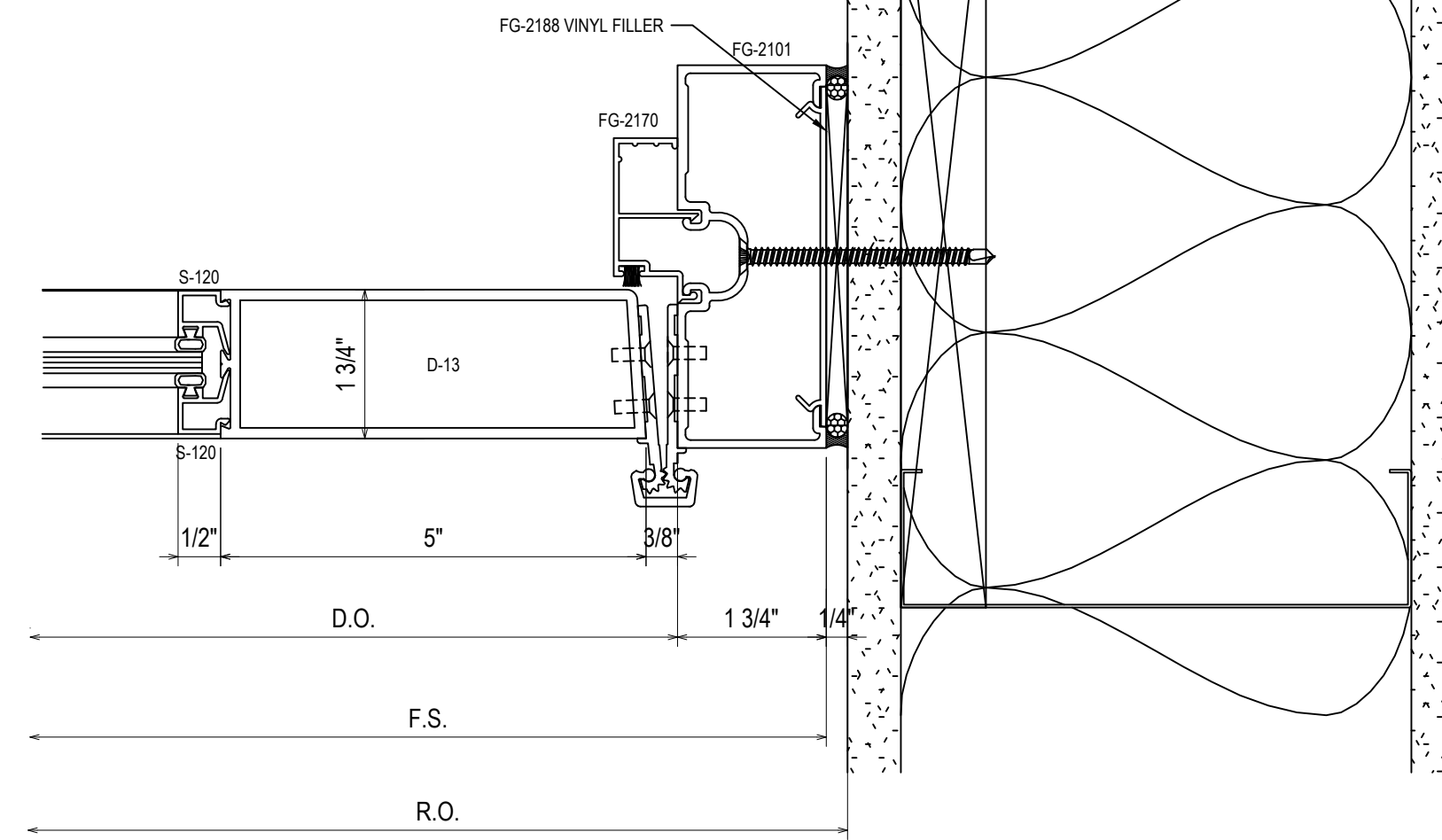
CLEMSON UNIVERSITY WOMEN'S SPORTS EXPANSION
GYMNASTICS
 EAST BEACH DRIVE
 CLEMSON, SC 29631

GOLDEN STRIP GLASS
 343 MILLER ROAD
 MAULDIN, SC 29662
 864-297-9889, 864-286-6730 FAX
 WWW.GOLDENSTRIPMIRROR.COM

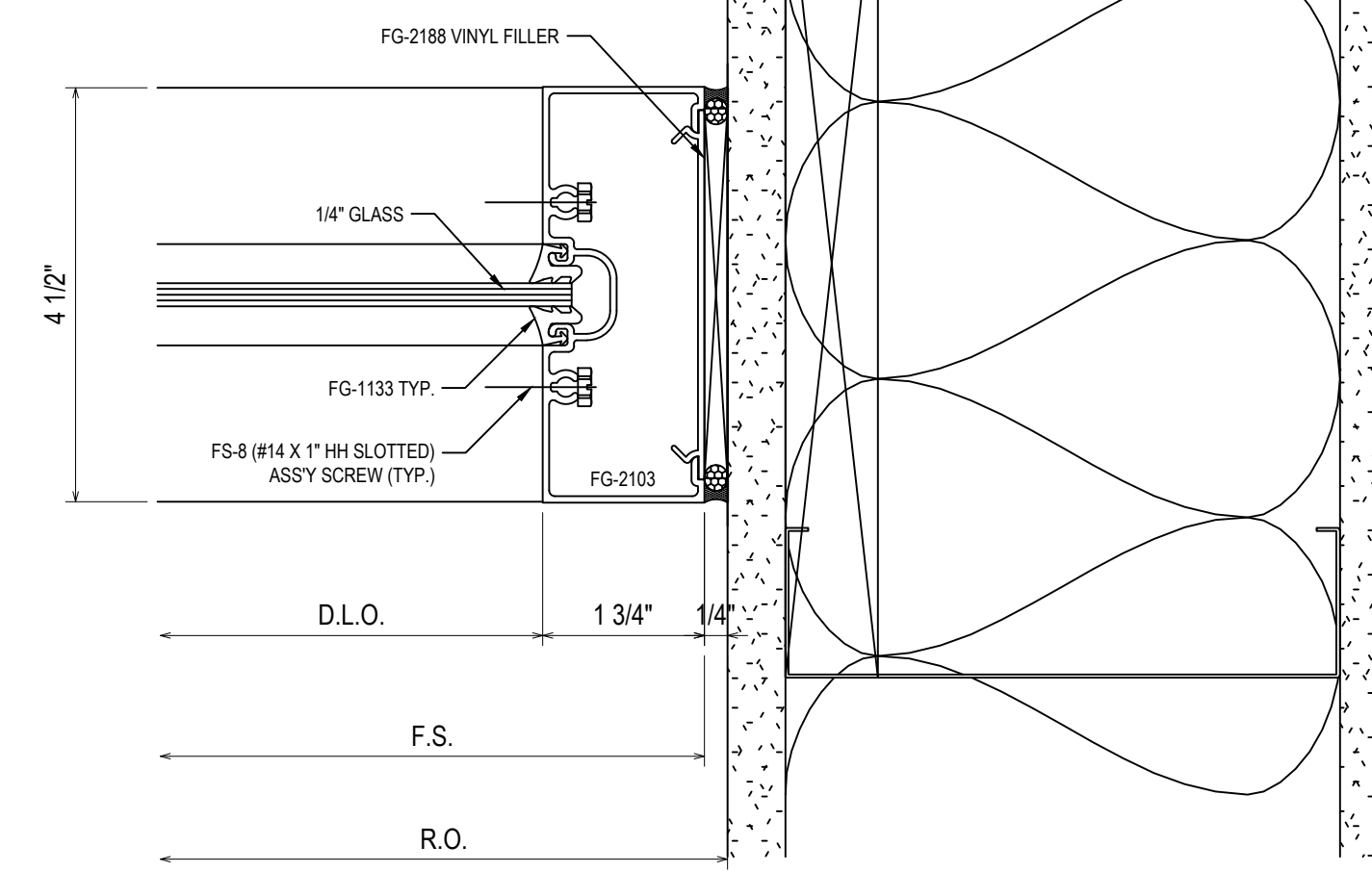
DRAWN BY:	DATE:
CW	02/14/23
CHECKED BY:	DATE:
BP	02/14/23



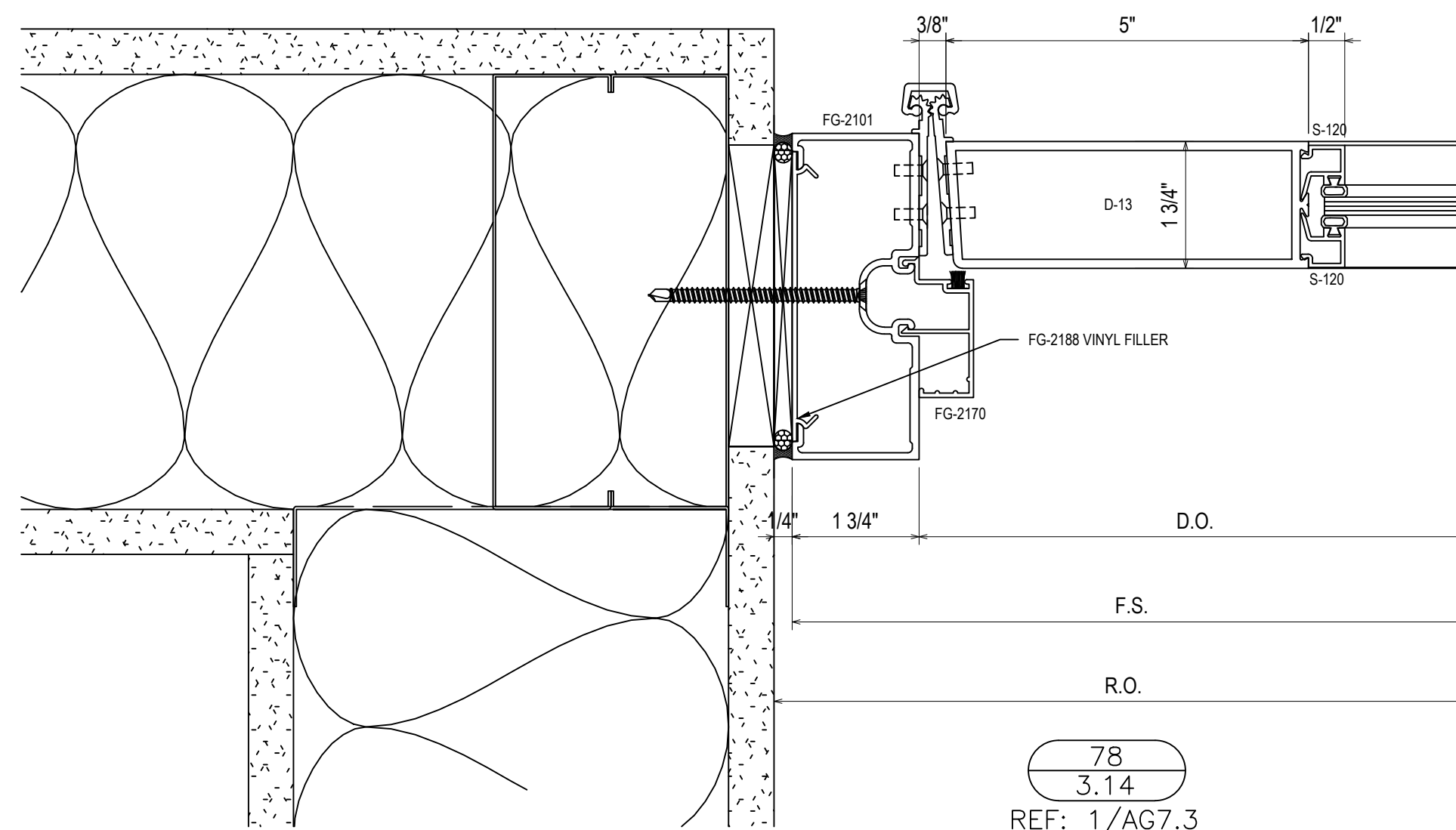
75
3.14
REF: N/A
ISF5 - ISF7



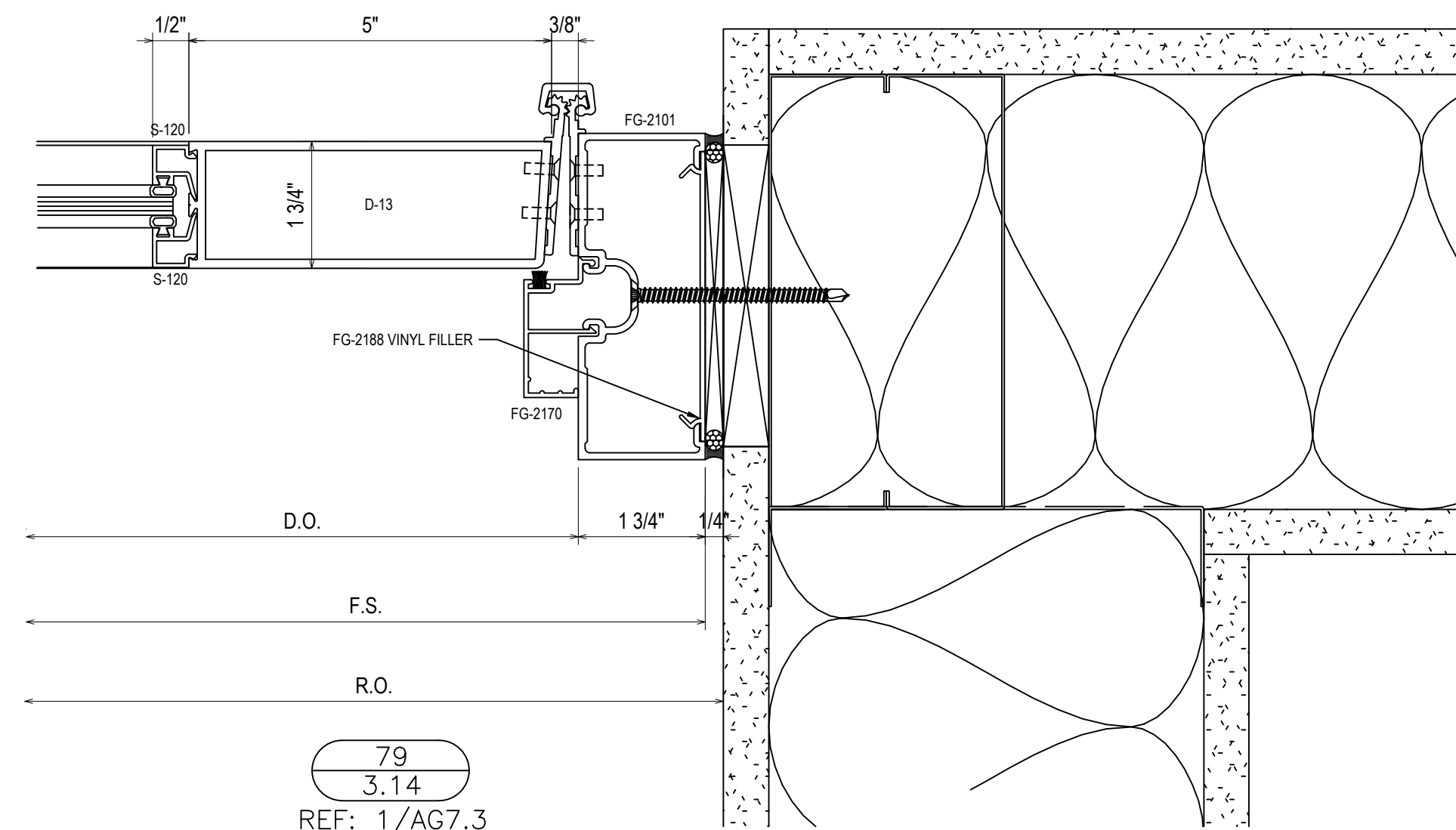
76
3.14
REF: 3/AG7.3
ISF5



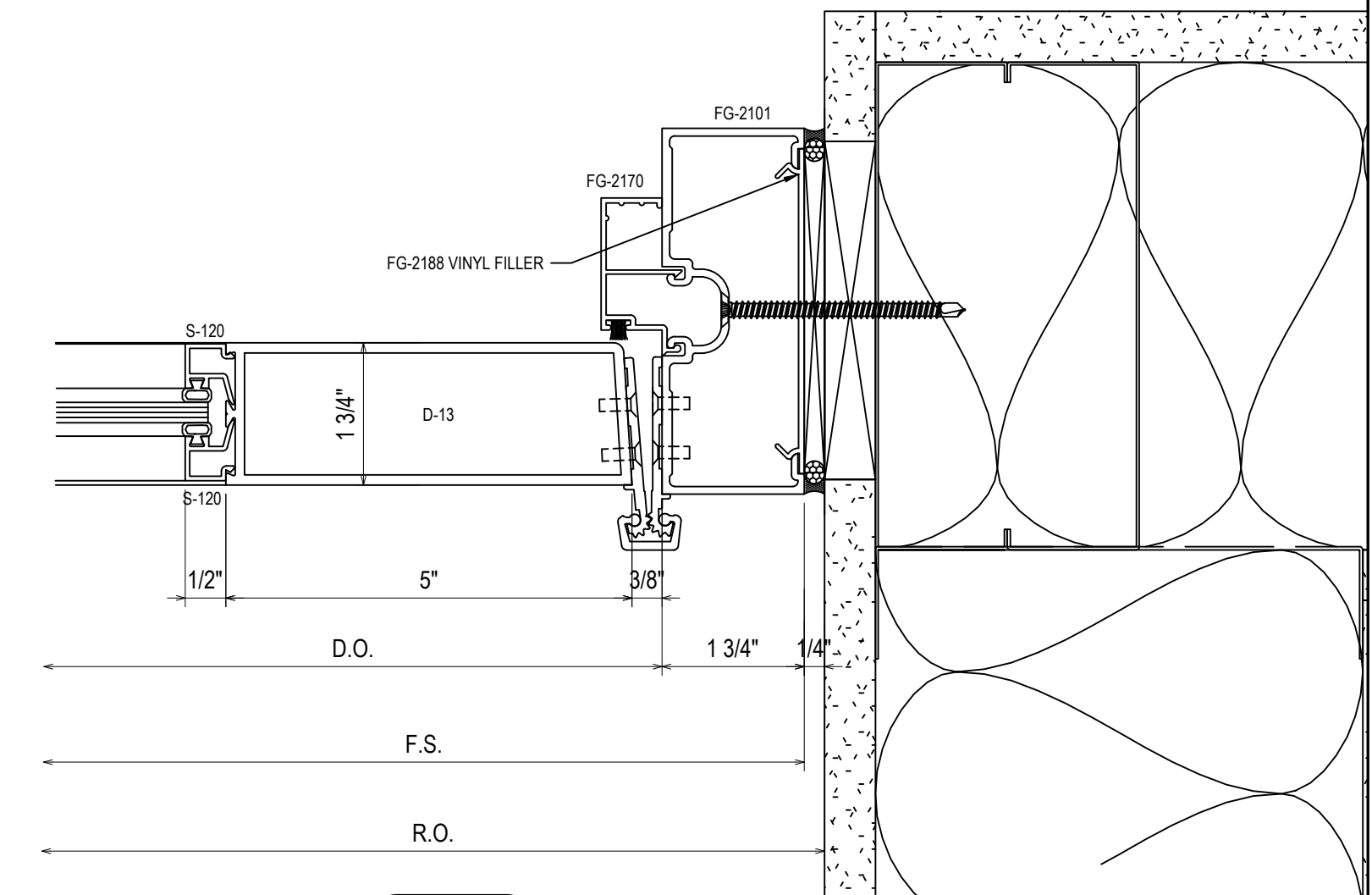
77
3.14
REF: 3/AG7.3
ISF6 - ISF8



78
3.14
REF: 1/AG7.3
ISF2



79
3.14
REF: 1/AG7.3
ISF3



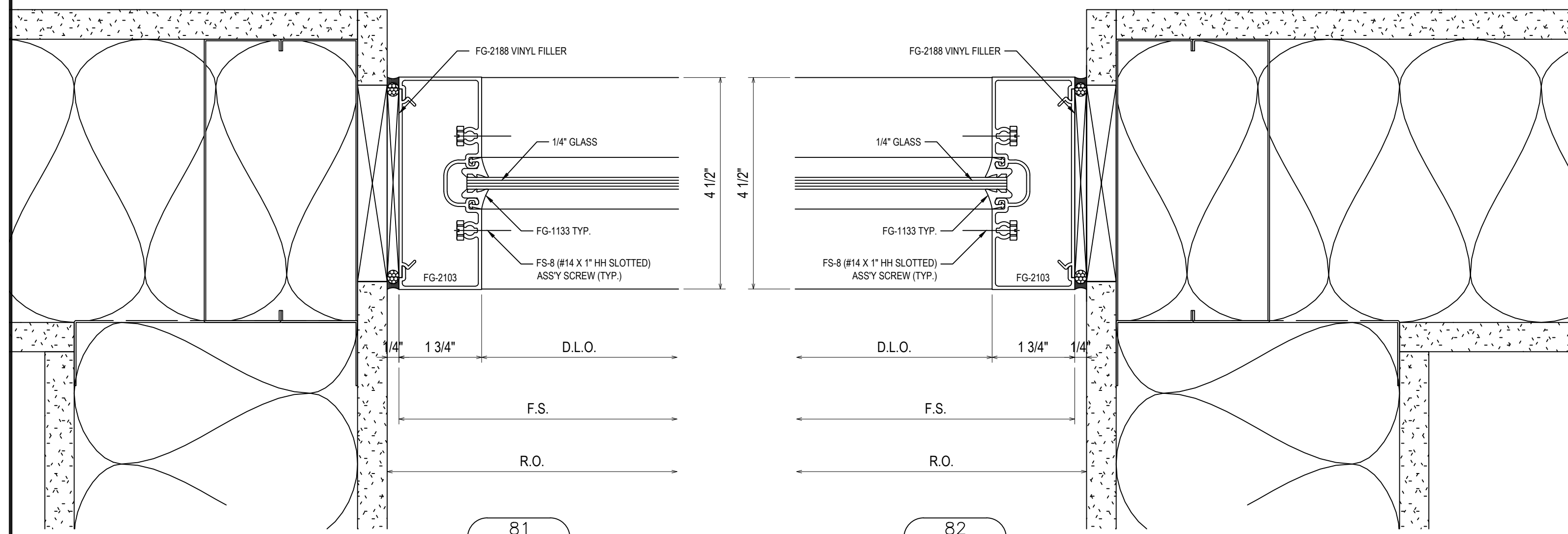
80
3.14
REF: 1/AG7.3
ISF7

DATE	4/2/23
DESCRIPTION	1ST REVISION
REV.	1
NO	
DESCRIPTION	
DRAWING	SUBMISSION

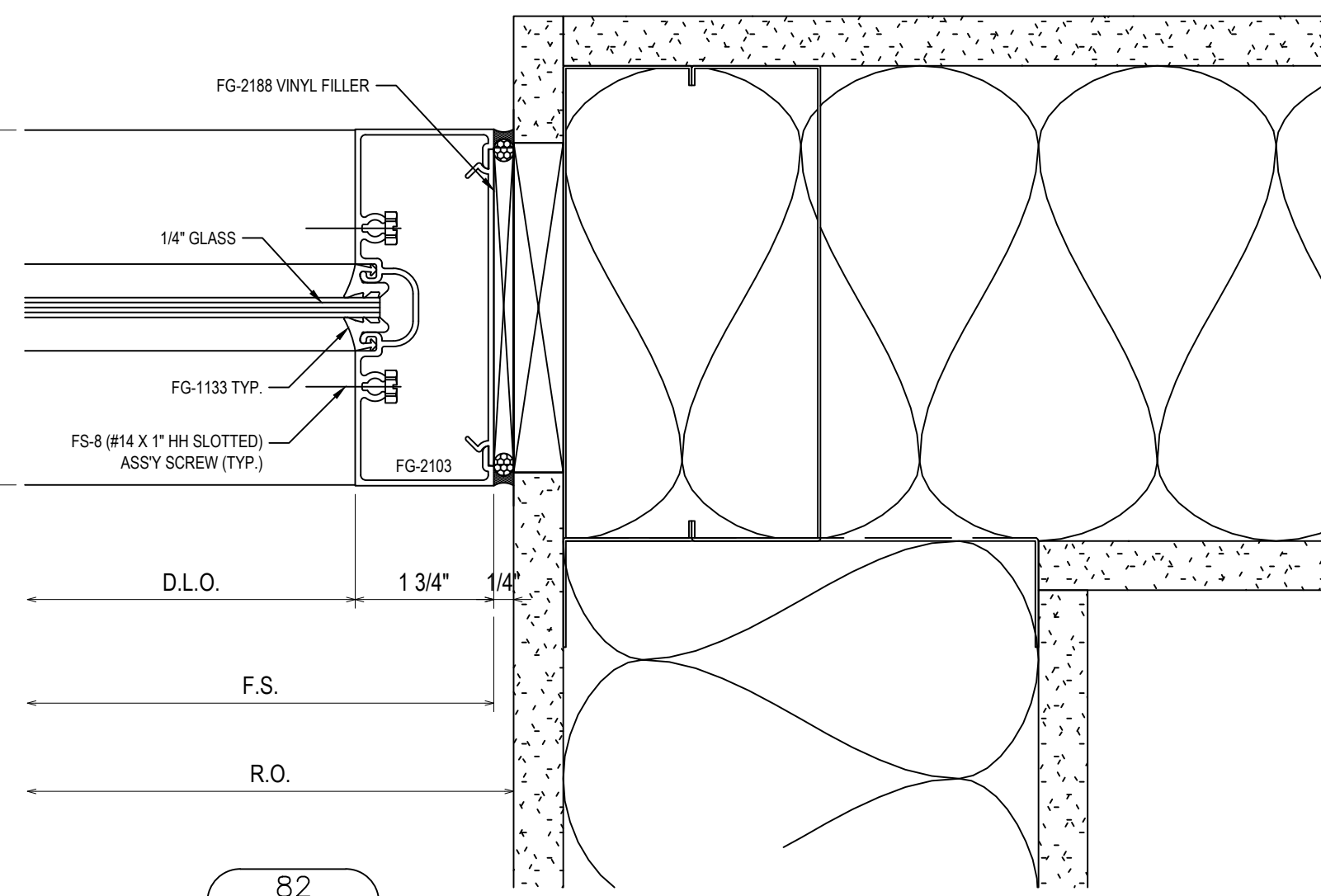
CLEMSON UNIVERSITY WOMEN'S SPORTS EXPANSION
GYMNASTICS
EAST BEACH DRIVE
CLEMSON, SC 29631

GOLDEN STRIP GLASS
343 MILLER ROAD
MAULDIN, SC 29662
864-297-9889, 864-286-6730 FAX
WWW.GOLDENSTRIPMIRROR.COM

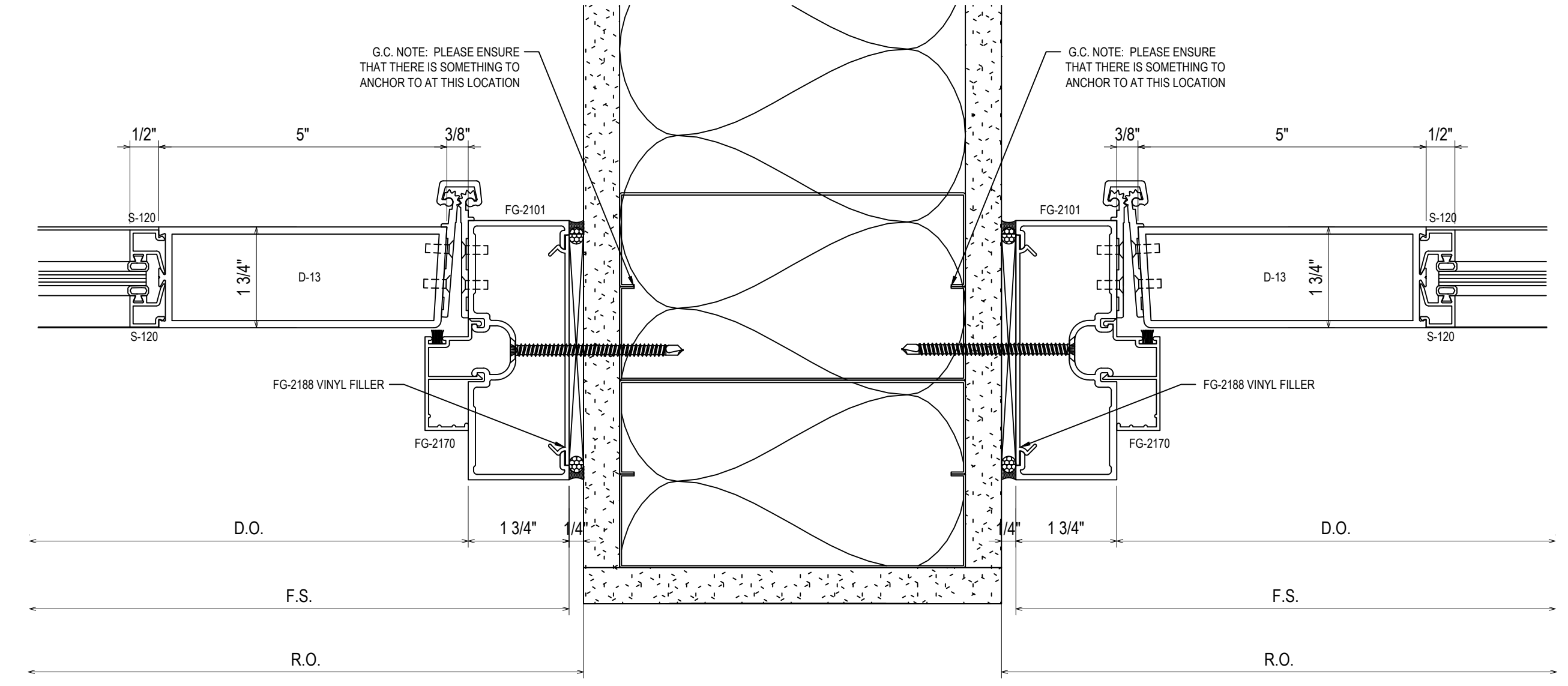
DRAWN BY:	DATE:
CW	02/14/23
CHECKED BY:	DATE:
BP	02/14/23



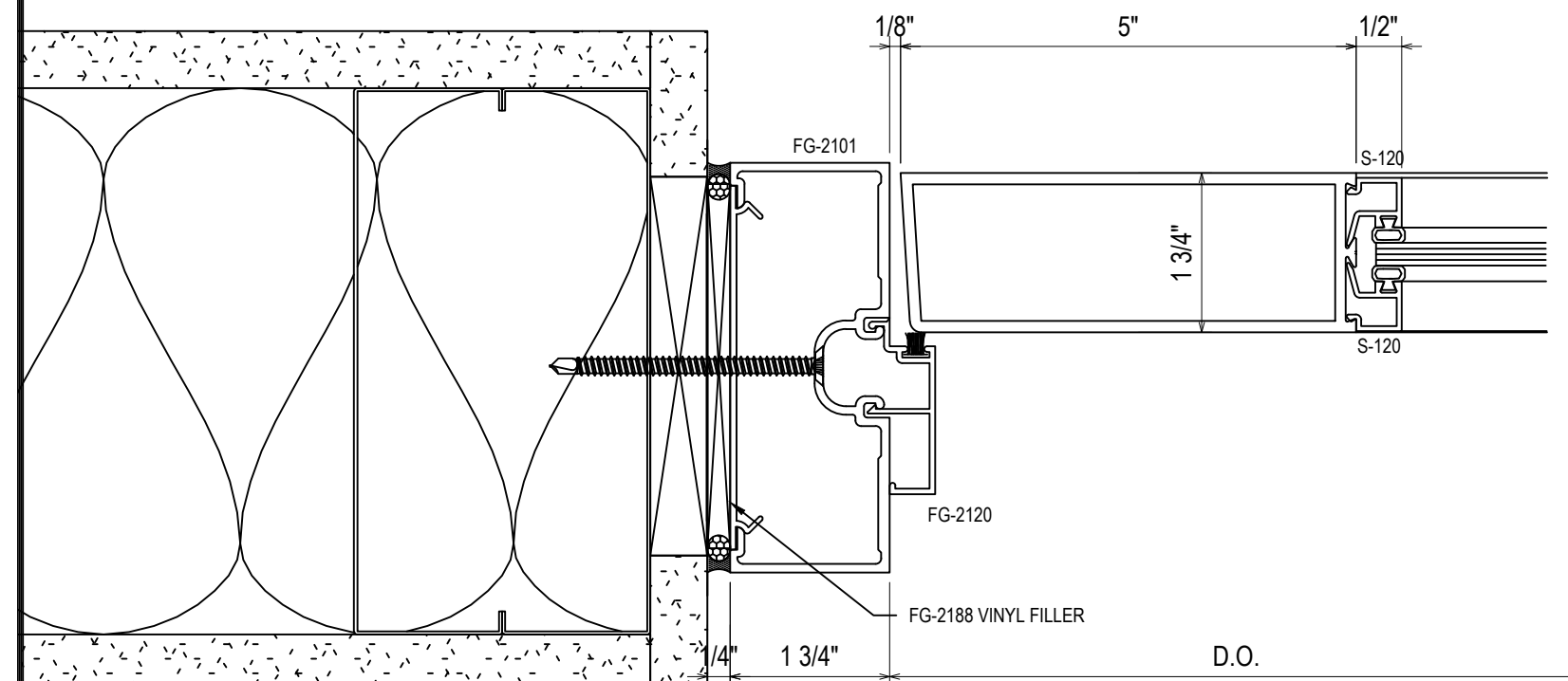
81
3.15
REF: 1/AG7.3
ISF3 - ISF4



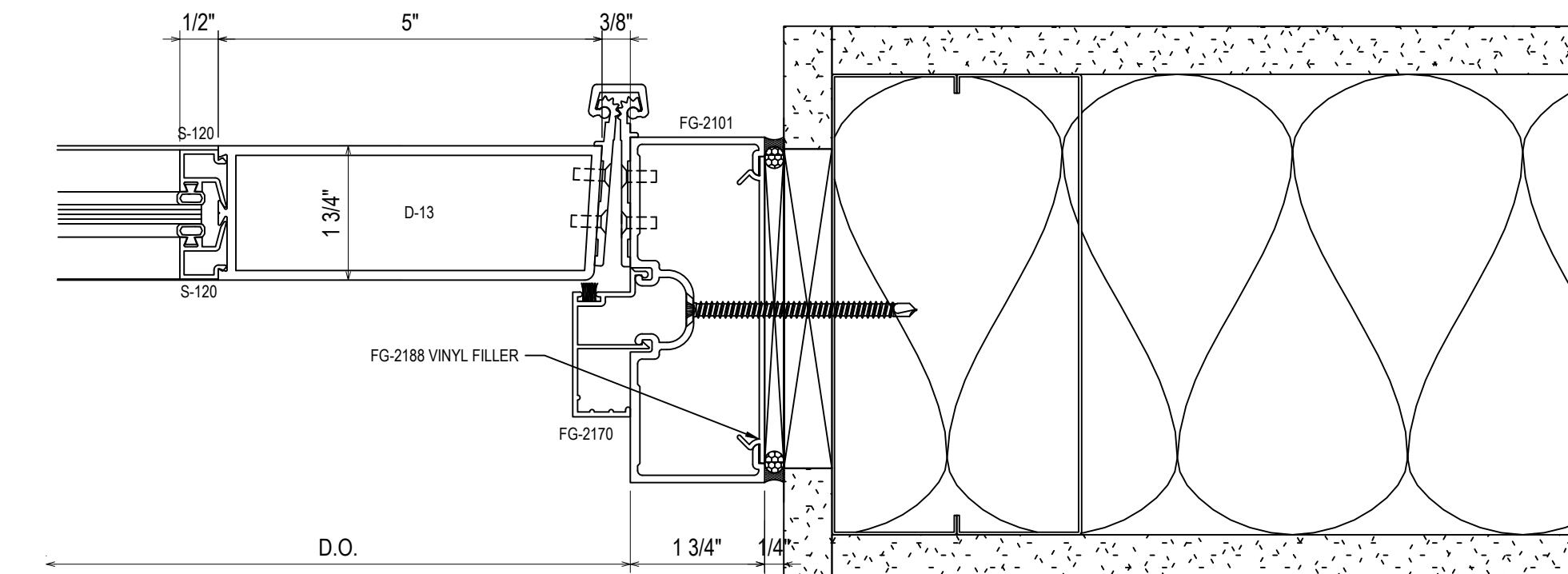
82
3.15
REF: 1/AG7.3
ISF2 - ISF3.1



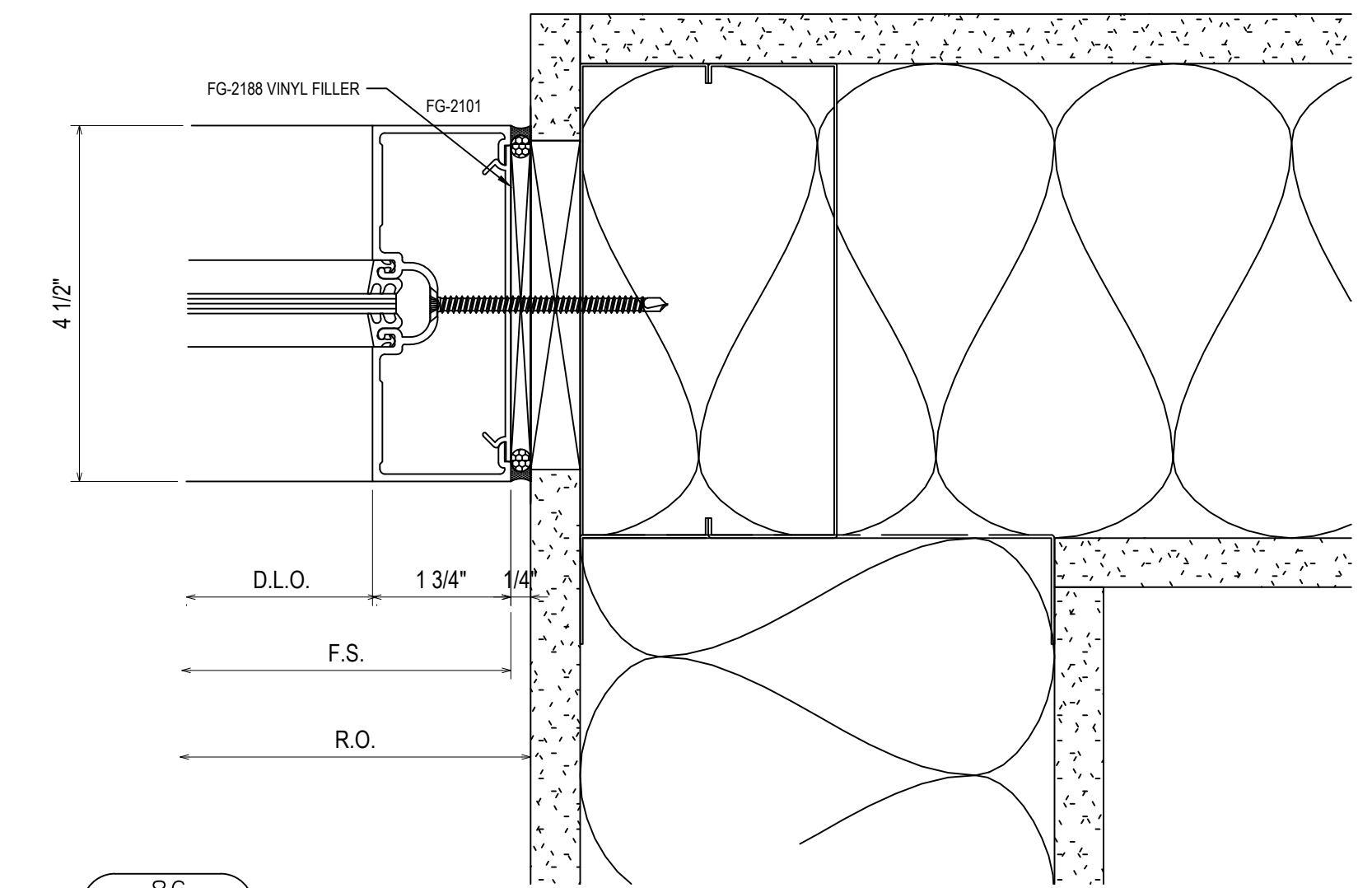
83
3.15
REF: N/A
ISF3.1 - ISF4



84
3.15
REF: 2/AG7.3
ISF9



85
3.15
REF: 2/AG7.3
ISF9



86
3.15
REF: 1/AG7.3
ISF7

DATE	4/2/23
DESCRIPTION	1ST REVISION
REV.	NO
DESCRIPTION	DRAWING SUBMISSION

CLEMSON UNIVERSITY WOMEN'S SPORTS EXPANSION
GYMNASTICS
 EAST BEACH DRIVE
 CLEMSON, SC 29631

GOLDEN STRIP GLASS
 343 MILLER ROAD
 MAULDIN, SC 29662
 864-297-9889, 864-286-6730 FAX
 WWW.GOLDENSTRIPMIRROR.COM

DRAWN BY:	DATE:
CW	02/14/23
CHECKED BY:	DATE:
BP	02/14/23