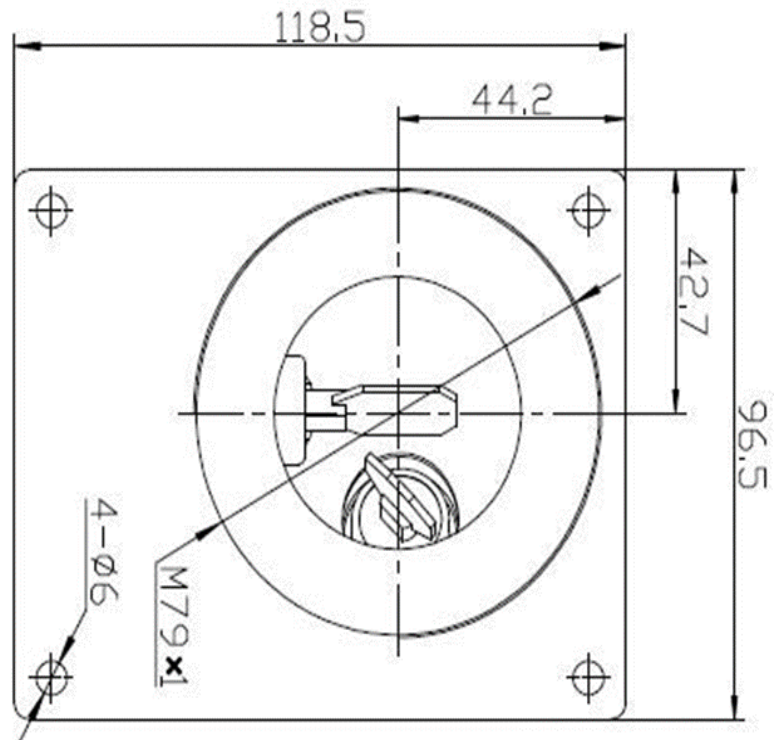
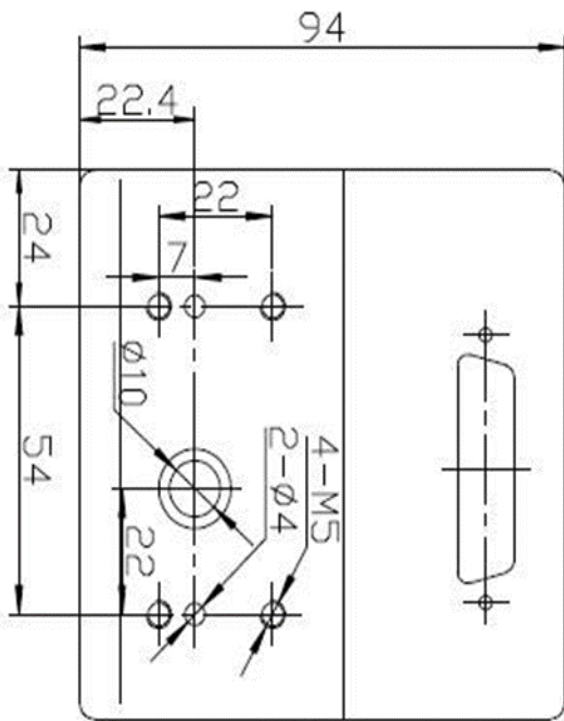


Galvo Scan Head w/ F-Theta Lens

Our Customers Success is Our Success



UNITED PHOTONICS LLC

Phone: 617.752.2073

Email: info@unitedPhotonics.net

Web: www.unitedPhotonics.net



united
PHOTONICS



Galvo Scan Head w/ F-Theta Lens

Our Customers Success is Our Success

Specifications	
Wavelength	1064 nm
EFL	163 mm
BFL	198.26 mm
WD	189.95 mm
Scan angle	±20°
Scan length	158.4 mm
Scan field	112mm x 112mm
Input beam EP	10 mm
M1-M2	20 mm
M2-lens center	17 mm
M2-mount edge	11.23 mm
Center spot size(/e2)	35 um
Edge spot size (I /e2)	38 um
Outer diameter	89 mm
Thread	M8 5X1
Total length	44 mm
With protective window	YES
Transmission	>95%
Series NO.	

UNITED PHOTONICS LLC

Phone: 617.752.2073

Email: info@unitedPhotonics.net

Web: www.unitedPhotonics.net





Galvo Scan Head w/ F-Theta Lens

Our Customers Success is Our Success

Motor Specification

Working Temperature	0-45°C
Linearity	99.9%
Setting Time	≤0.5ms
Scale Drift	<40PPM/°C
Zero Drift	<15μRad./°C
Long-term Drift Over 8 Hours	<0.5mRad
RMS Current	2.0A
Peak Current	15A(Max)
Maximum Scan Angle	±15°
Storage Temperature	-10 to +60°C
Resolution	12μrad
Repeatability	8μrad
Input Aperture	10.0mm
Beam Displacement	13.4mm
Motor Weight	120g
Frequency	≤700Hz

UNITED PHOTONICS LLC

Phone: 617.752.2073

Email: info@unitedPhotonics.net

Web: www.unitedPhotonics.net





Galvo Scan Head w/ F-Theta Lens

Our Customers Success is Our Success

Servo Drive Board Specification

Input Voltage		±15VDC
Interface Signals	Digital	XY2-100
	Analog	±5V, ±10V
Analog Signal Input Resistance		200KΩ±1%
Analog Signal Input Resistance		1KΩ±1%
Position Signal Input Scale Factor		0.33V/°
Position Signal Output Scale Factor		0.33V/°
Working Temperature		0-45°C
Dimension(L×W×H)		75×50×28mm

UNITED PHOTONICS LLC

Phone: 617.752.2073

Email: info@unitedPhotonics.net

Web: www.unitedPhotonics.net

