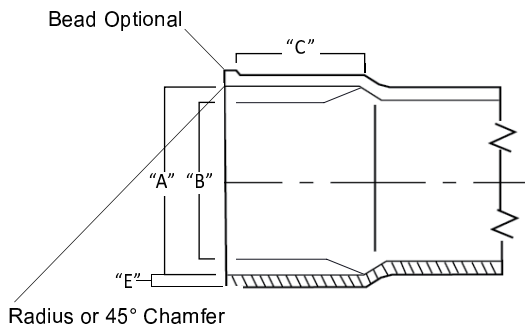


# COUPLING

# TECHNICAL INFORMATION



### Fittings Socket Dimensions - Inches

Nominal Size	A	B	C
3"	3.271±0.008	3.245±0.008	1.50

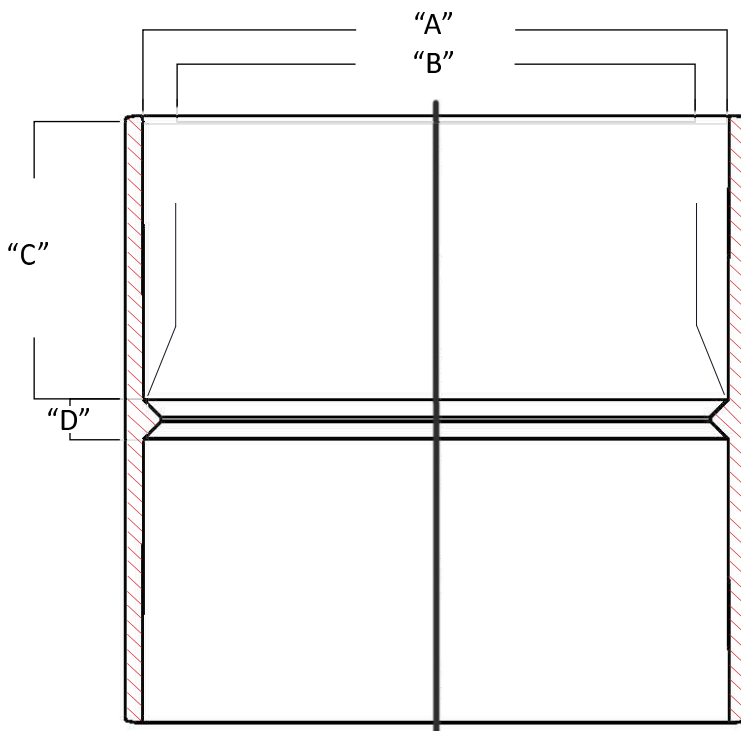
### Pipe Dimensions Minimum Wall Thickness

Outside Diameter		SDR 35	
Nominal Size	Average	Tolerance on Average	E
3"	3.250	±0.008	0.100

## Coupling

### Sewer Hub x Sewer Hub

Part #	Size	Desc.	D
V-103	3"	H x H	0.125



Normandy Products are proudly  
made in the USA.

[www.normandyproducts.com](http://www.normandyproducts.com)

T: 800.322.9463 | F: 800.910.0134

324 Delaware Avenue | PO Box 446 | Oakmont PA 15139