

Product Specifications

- Type: Linear Flat Backer Grille
- Module: Nominal 2'X2'
- Species: As Specified
- Stain: As Specified
- Blade Specs.: 5/8" x 2-1/4" x 22-15/16" - 10 blades per grille
- Finish: Clear Topcoat
Standard low VOC content,
20% sheen
- Backers: Flat Backers
- Mounting: Tegular on 15/16" HD tee grid
- Rating: Class C per ASTM E84
- Accessories: Black Felt

| |
|-------------|
| PANEL QTY.: |
| - - |

NORTON INDUSTRIES INC.

1366 West 117th Street Lakewood, Ohio 44107
 (216) 228-6650 or (888) 357-2345
 Fax (216) 228-9065 or (800) 462-6650
 www.NortonCeilings.com

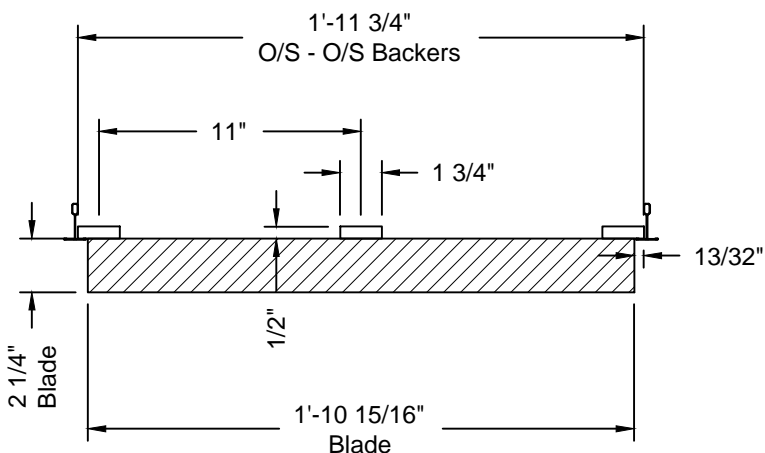


*Looking Forward to
Looking Up™*

| # | REVISIONS | DATE |
|--|--------------|----------------|
| | | |
| | | |
| | | |
| | | |
| | | |
| ARCHITECT | | |
| CUSTOMER | | |
| REPRESENTATIVE | | |
| PROJECT TITLE | | |
| PROJECT LOCATION | | |
| SHEET REFERENCE | | |
| PRODUCT NWG-V10-22 | | |
| SHEET TITLE PRODUCTION INFORMATION Lay-In Grille Panel | | |
| DATE 6/12/17 | DRWN J.A. | CHECK AL.R. |
| SHEET NO. MS-01 | | |

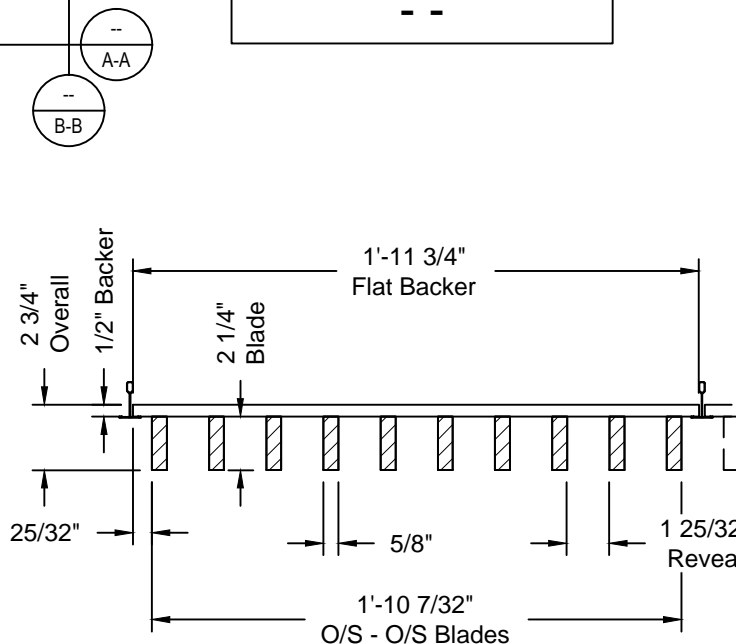
PANEL FRONT

scale: 1 1/2"=1'-0"



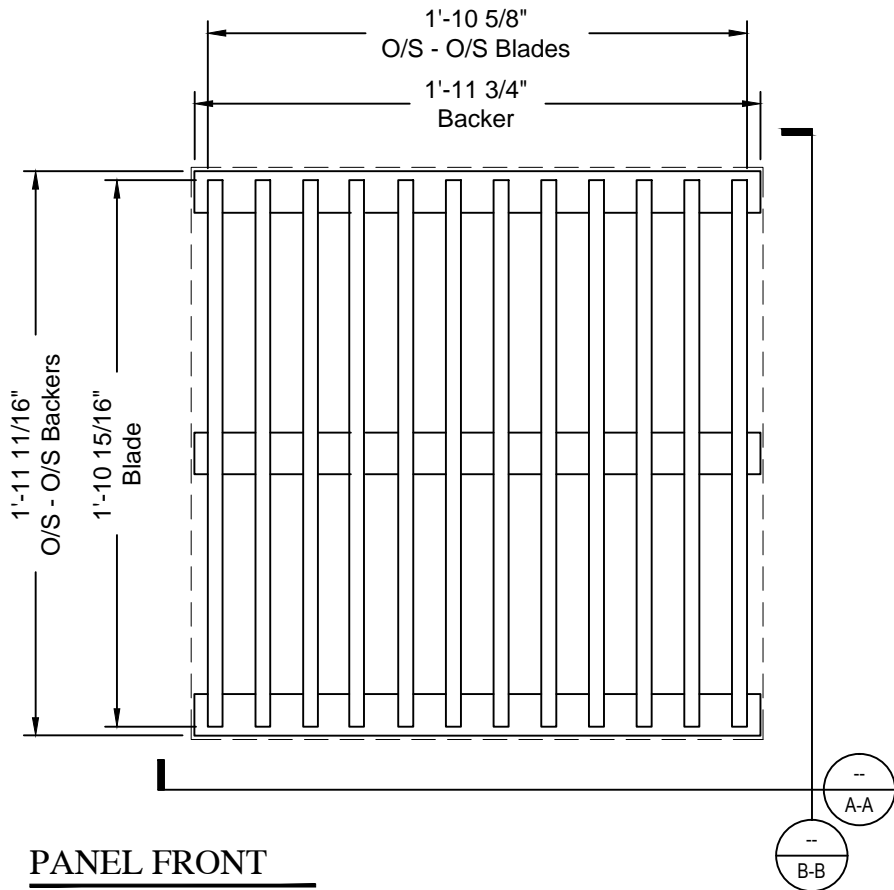
SECTION A-A

scale: 1 1/2"=1'-0"



SECTION B-B

scale: 1 1/2"=1'-0"



Product Specifications

- Type: Linear Flat Backer Grille
- Module: Nominal 2'X2'
- Species: As Specified
- Stain: As Specified
- Blade Specs.: 5/8" x 2-1/4" x 22-15/16"
- 12 blades per grille
- Finish: Clear Topcoat
Standard low VOC content,
20% sheen
- Backers: Flat Backers
- Mounting: Tegular on 15/16" HD tee grid
- Rating: Class C per ASTM E84
- Accessories: Black Felt

| |
|-------------|
| PANEL QTY.: |
| - - |

NORTON INDUSTRIES INC.

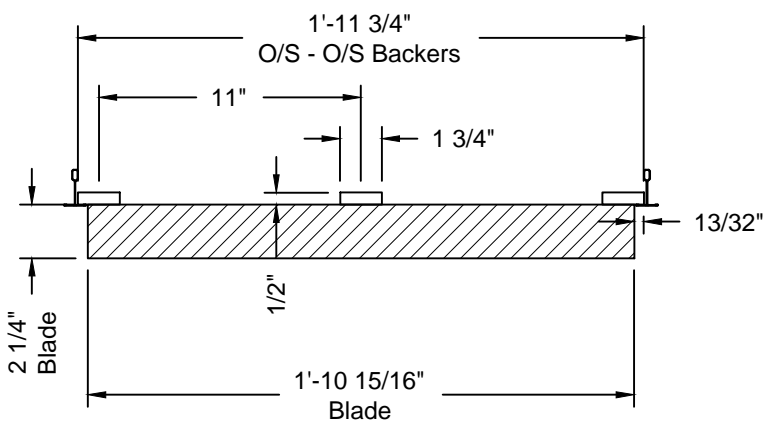
1366 West 117th Street Lakewood, Ohio 44107
 (216) 228-6650 or (888) 357-2345
 Fax (216) 228-9065 or (800) 462-6650
 www.NortonCeilings.com



*Looking Forward to
Looking Up™*

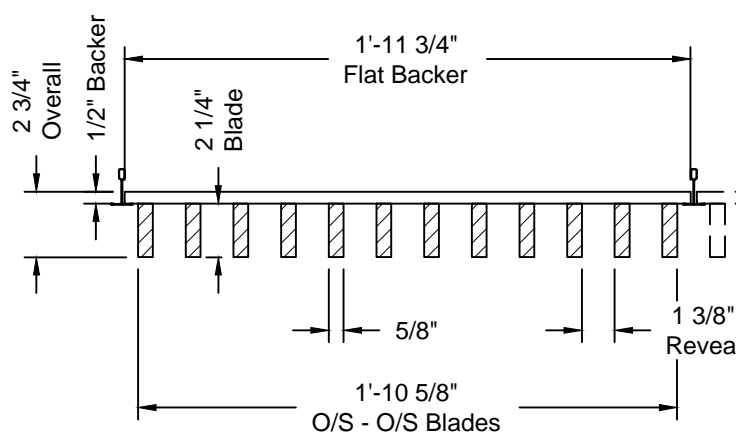
PANEL FRONT

scale: 1 1/2"=1'-0"



SECTION A-A

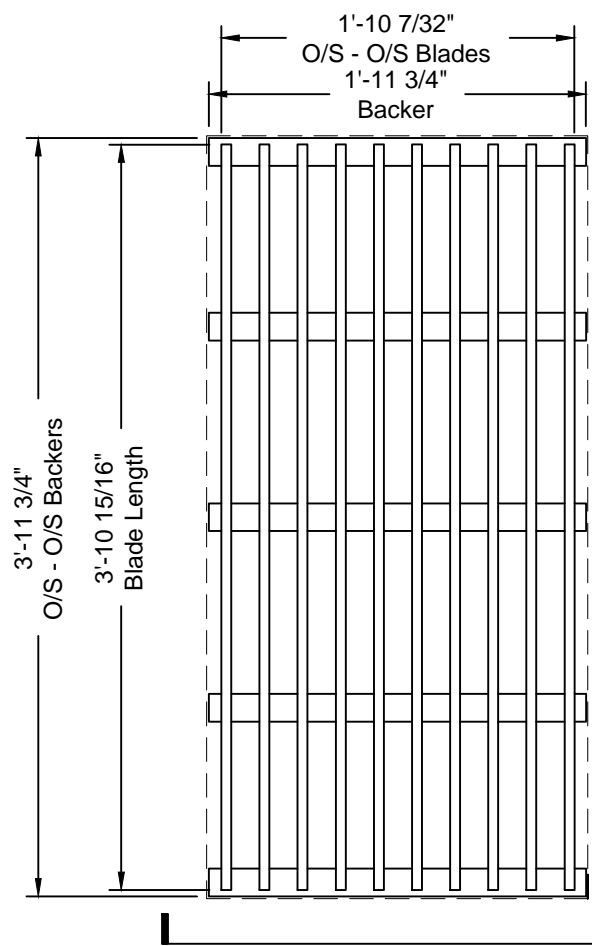
scale: 1 1/2"=1'-0"



SECTION B-B

scale: 1 1/2"=1'-0"

| # | REVISIONS | DATE |
|--|--------------|----------------|
| | | |
| | | |
| | | |
| | | |
| | | |
| ARCHITECT | | |
| CUSTOMER | | |
| REPRESENTATIVE | | |
| PROJECT TITLE | | |
| PROJECT LOCATION | | |
| SHEET REFERENCE | | |
| PRODUCT NWG-V12-22 | | |
| SHEET TITLE PRODUCTION INFORMATION Lay-In Grille Panel | | |
| DATE 6/12/17 | DRWN J.A. | CHECK AL.R. |
| SHEET NO. MS-01 | | |



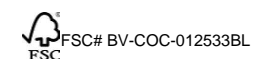
Product Specifications

Type: Linear Flat Backer Grille
 Module: Nominal 2'X4'
 Species: As Specified
 Stain: As Specified
 Blade Specs.: 5/8" x 2-1/4" x 46-15/16
 - 10 blades per grille
 Finish: Clear Topcoat
 Standard low VOC content,
 20% sheen
 Backers: Flat Backers
 Mounting: Tegular on 15/16" HD tee grid
 Rating: Class C per ASTM E84
 Accessories: Black Felt

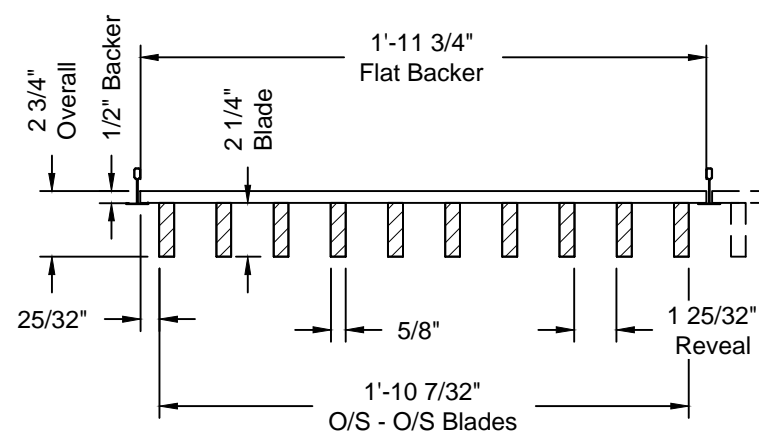
| |
|-------------|
| PANEL QTY.: |
| - - |

**NORTON
INDUSTRIES
INC.**

1366 West 117th Street Lakewood, Ohio 44107
 (216) 228-6650 or (888) 357-2345
 Fax (216) 228-9065 or (800) 462-6650
 www.NortonCeilings.com



*Looking Forward to
Looking Up™*

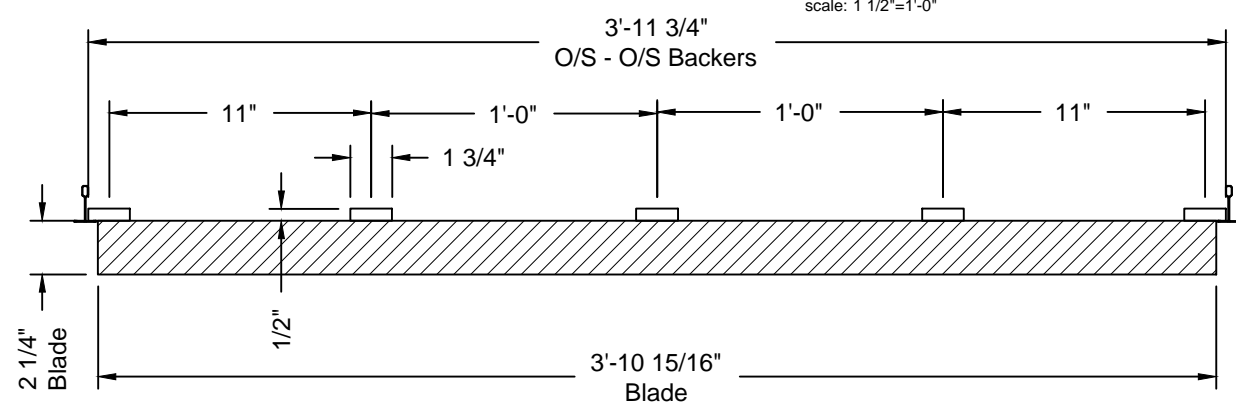


PANEL FRONT

scale: 1"=1'-0"

SECTION B-B

scale: 1 1/2"=1'-0"



SECTION A-A

scale: 1 1/2"=1'-0"

| # | REVISIONS | DATE |
|--|--------------|----------------|
| | | |
| | | |
| | | |
| | | |
| ARCHITECT | | |
| CUSTOMER | | |
| REPRESENTATIVE | | |
| PROJECT TITLE | | |
| PROJECT LOCATION | | |
| SHEET REFERENCE | | |
| PRODUCT NWG-V10-24 | | |
| SHEET TITLE PRODUCTION INFORMATION Lay-In Grille Panel | | |
| DATE 6/12/17 | DRWN J.A. | CHECK AL.R. |
| SHEET NO. MS-01 | | |

