

Pizza Prep Tables



Model	Size
PX47	47" Unit
PX70	70" Unit
PX94	94" Unit

STANDARD FEATURES

- Stainless steel interior and exterior, aluminum back. Option of bright white aluminum interior available.
- Refrigeration system keeps food at safe temperatures between 33°F and 41°F
- Self-Closing doors with 90 degree stay-open feature.
- Cutting boards and pans available.
- Shelves: Adjustable heavy-duty PVC coated shelves.
- Option of different handles available.
- Electronic control system makes it easy to adjust temperature set point and defrost frequency
- Pre-installed heavy-duty casters with brakes
- Removable installation board makes it easy to access condenser coil for cleaning and service
- These units use HYDRO-CARBON R290 refrigerant which is environmentally friendly and more efficient than R134a/R404a refrigerant

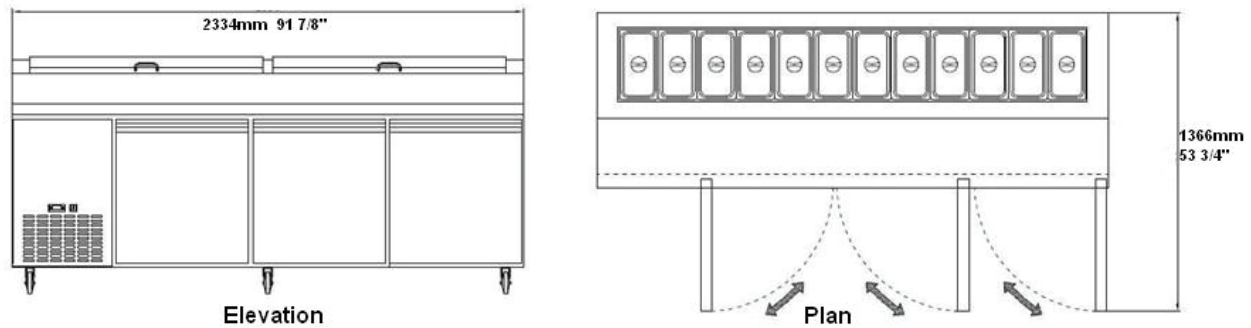
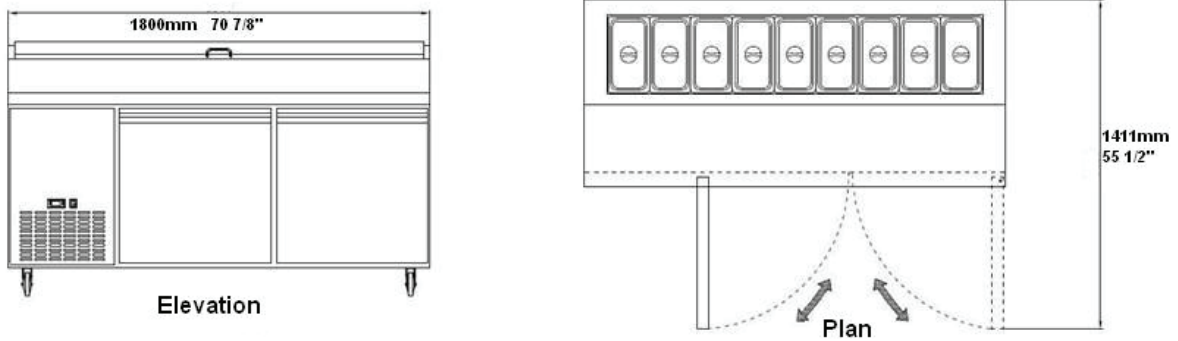
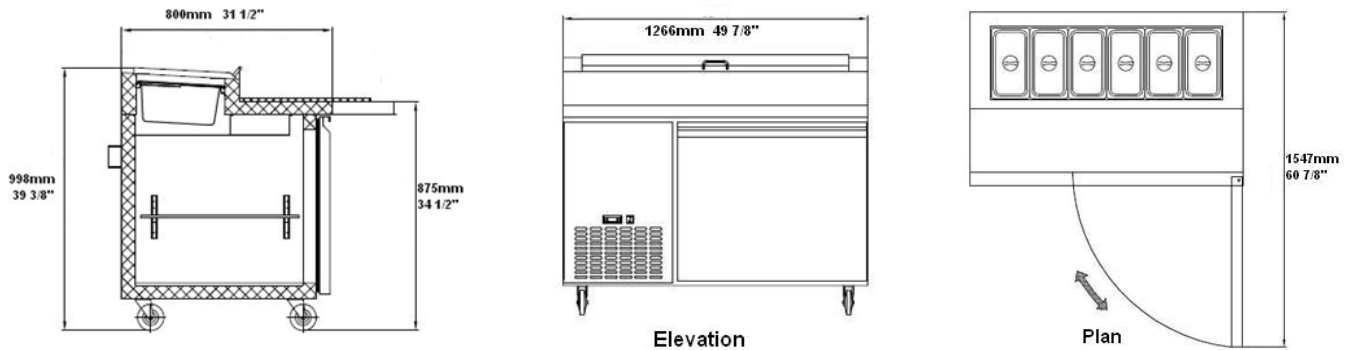
REFRIGERATION

Items	Description	Items	Description
Front, top & sides	Stainless steel	Temperature control	Solid state thermostat/Digital display
Doors	Stainless steel	Approvals	ETL-EPH
External back	Aluminum	Refrigerating system	Capillary tube
Cabinet interior	ABS	Refrigerant	HYDRO-CARBON R290
Interior floor	Stainless steel	Temperature range	33°F to 41°F
Insulation	Polyurethane (CFC free)	Evaporator	Powder coated aluminum/copper
Shelves	Heavy duty, PVC coating	Condensing unit	Bottom mounted





DETAILS AND DIMENSIONS



*Voltage 230-240/50/1 available

Model	Doors	Capacity (cu.ft)	Shelves	Cabinet Dim (inches)			HP	Voltage	Amps	NEMA Plug	Cord Length	Crated Weight
				L	D	H						
PX47	1	13.8	1	49.875	31.5	42.875	1/6	115/60/1	2.64	5-15P	10	354
PX70	2	16.9	2	70.9	31.5	42.875	1/5	115/60/1	3.42	5-15P	10	453
PX94	3	24.2	3	91.9	31.5	42.875	1/4+	115/60/1	5.28	5-15P	10	719