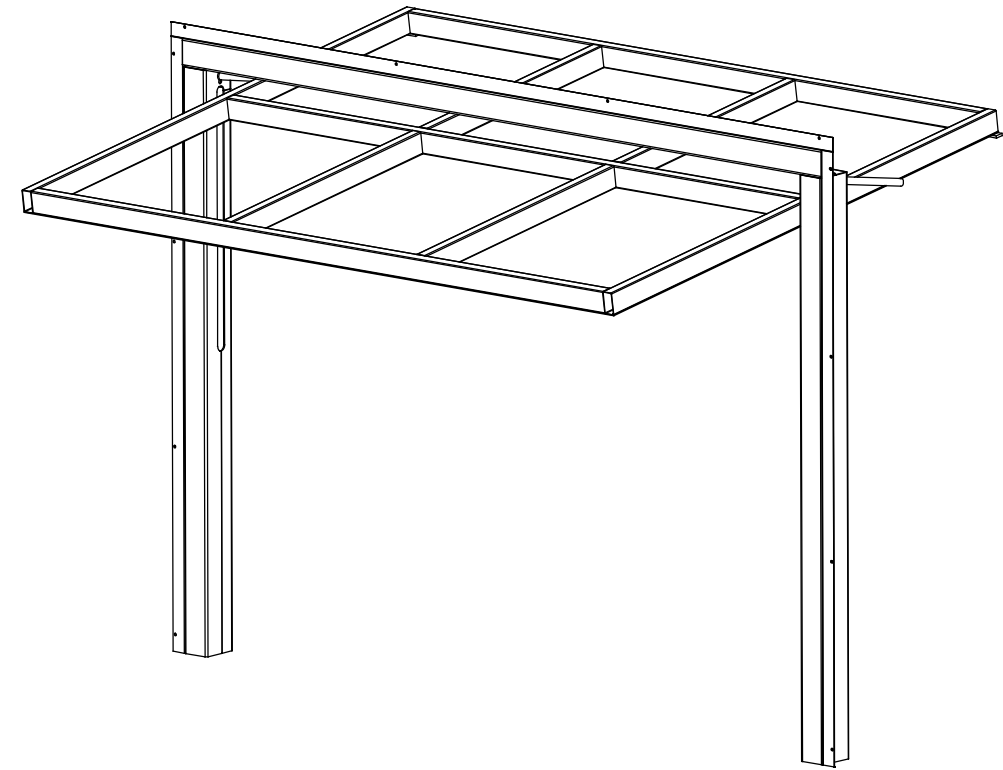


# CROWN

## INCORPORATED

135 MCLEOD AVENUE, SOUTH  
 PLATO, MN 55370  
 (320) 238-2616  
 INFO@CROWNDOORS.COM

### 50/50 HYDRAULIC SYSTEM



**PROPRIETARY AND CONFIDENTIAL**  
 THE INFORMATION CONTAINED WITHIN THIS DRAWING SET IS THE SOLE PROPERTY OF CROWN INDUSTRIES, INC. ANY REPRODUCTION - IN PART, OR AS A WHOLE - WITHOUT THE EXPRESSED, WRITTEN CONSENT OF CROWN INDUSTRIES, INC. IS PROHIBITED

**IMPORTANT NOTICE:**  
 ALL DIMENSIONS SHOWN ARE CRITICAL TO PROPER DOOR OPERATION. IF ANY CHANGES ARE MADE, CONTACT CROWN INDUSTRIES IMMEDIATELY. ANY CHANGES MAY INCUR ADDITIONAL CHARGES.

ALL PARTS NOT LISTED AS "BY OTHERS" TO BE PROVIDED BY CROWN INDUSTRIES, INC.

**SAMPLE DRAWINGS**  
 • THE FOLLOWING DETAILS REPRESENT TYPICAL CONDITIONS. DETAILS/DIMENSIONS WILL VARY BETWEEN INSTALLATIONS.  
 • SAMPLE DRAWINGS DO NOT REPRESENT ALL AVAILABLE OPTIONS - REFER TO QUOTATION.

**GENERAL NOTES**  
 • STRUCTURAL SUPPORT (JAMBS/HEADER) BY G.C.  
 • INSTALLER TO CAULK AROUND MOUNTING ANGLES  
 • MAXIMUM ALLOWABLE RISE OF FINISHED FLOOR IS 3/8"  
 • CROWN, INC. RESERVES THE RIGHT TO CHANGE/IMPROVE PRODUCTS WITHOUT PRIOR NOTICE  
 • THE INFORMATION CONTAINED WITHIN THIS DRAWING SET IS THE SOLE PROPERTY OF CROWN, INC. ANY REPRODUCTION - IN PART, OR AS A WHOLE - WITHOUT THE EXPRESSED, WRITTEN PERMISSION OF CROWN, INC. IS PROHIBITED  
 • CROWN, INC. WILL NOT BE HELD RESPONSIBLE FOR CODE VIOLATIONS

STEEL TUBE FRAME MEMBERS VARY IN SIZE DEPENDING ON ROUGH OPENING DIMENSIONS AND COVERING WEIGHT. LARGER OPENINGS/HEAVIER COVERINGS REQUIRE LARGER STEEL COMPONENTS

**PROPRIETARY AND CONFIDENTIAL**  
 THE INFORMATION CONTAINED WITHIN THIS DRAWING SET IS THE SOLE PROPERTY OF CROWN INDUSTRIES, INC. ANY REPRODUCTION - IN PART, OR AS A WHOLE - WITHOUT THE EXPRESSED, WRITTEN CONSENT OF CROWN INDUSTRIES, INC. IS PROHIBITED

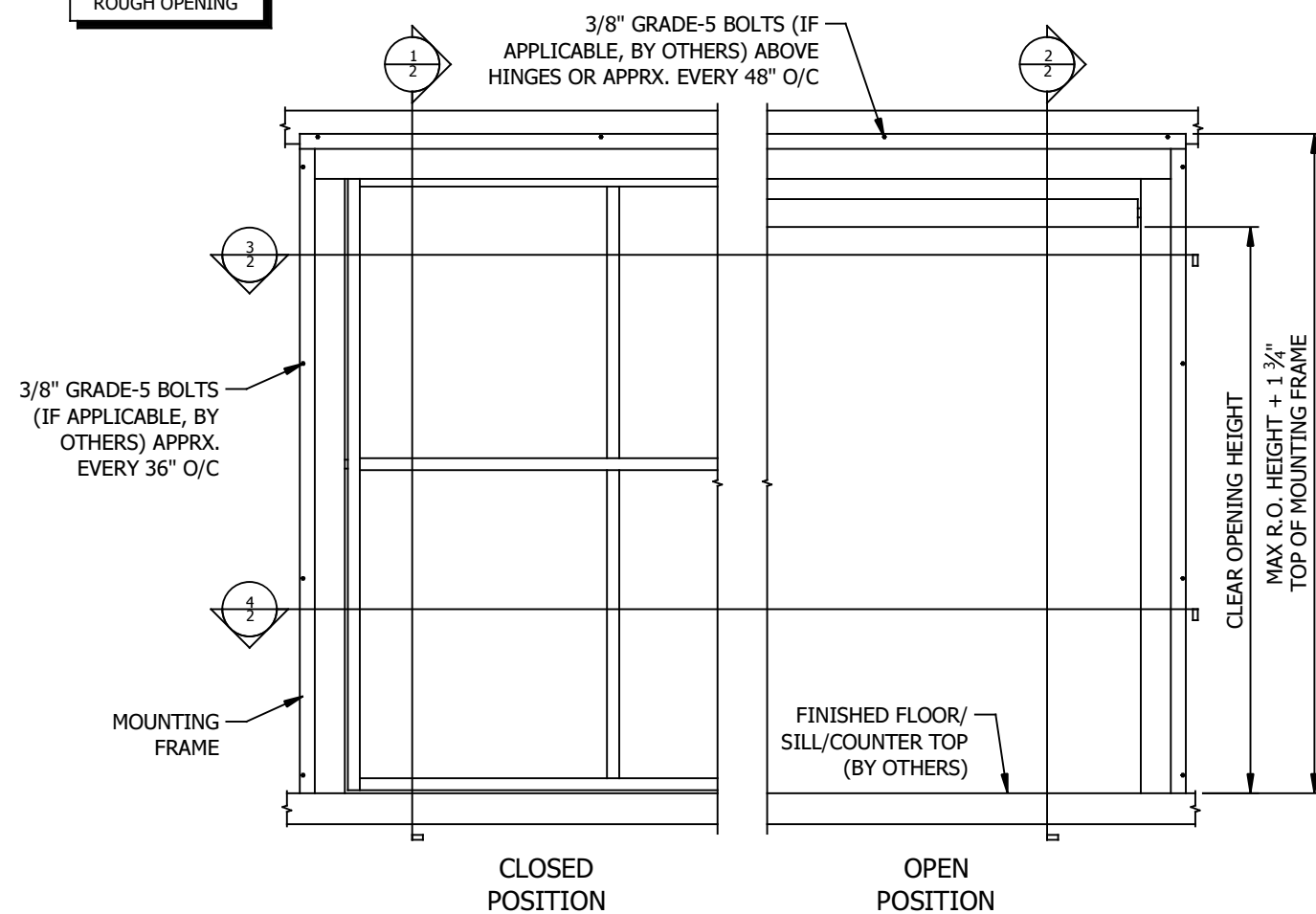


**IMPORTANT NOTICE:**  
 ALL DIMENSIONS SHOWN ARE CRITICAL TO PROPER DOOR OPERATION. IF ANY CHANGES ARE MADE, CONTACT CROWN INDUSTRIES IMMEDIATELY. ANY CHANGES MAY INCUR ADDITIONAL CHARGES.

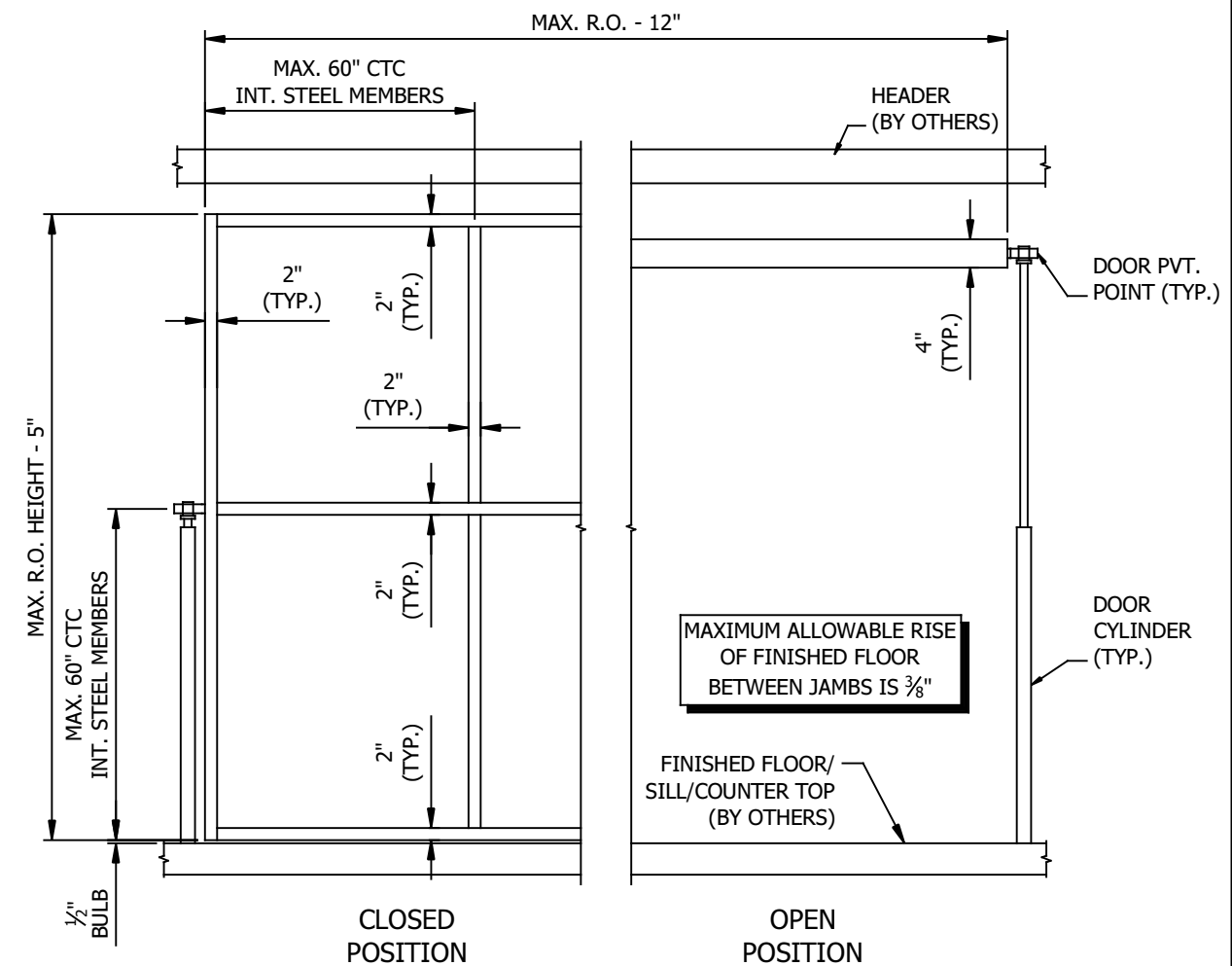
ALL PARTS NOT LISTED AS "BY OTHERS" TO BE PROVIDED BY CROWN INDUSTRIES, INC.

**SAMPLE DRAWING**

**IMPORTANT NOTE:**  
 DO NOT PRE-DRILL ROUGH OPENING



1 DOOR PANEL w/FRAME - EXTERIOR VIEW  
 NO SCALE



2 DOOR PANEL - EXTERIOR VIEW  
 NO SCALE

**50/50 HYDRAULIC SYSTEM**  
**CROWN, INCORPORATED**  
 PLATO, MINNESOTA, 55370

MODEL: 50/50  
 DRAWN: 12/2014

SHEET: 1.0

**PROPRIETARY AND CONFIDENTIAL**

THE INFORMATION CONTAINED WITHIN THIS DRAWING SET IS THE SOLE PROPERTY OF CROWN INDUSTRIES, INC. ANY REPRODUCTION - IN PART, OR AS A WHOLE - WITHOUT THE EXPRESSED, WRITTEN CONSENT OF CROWN INDUSTRIES, INC. IS PROHIBITED

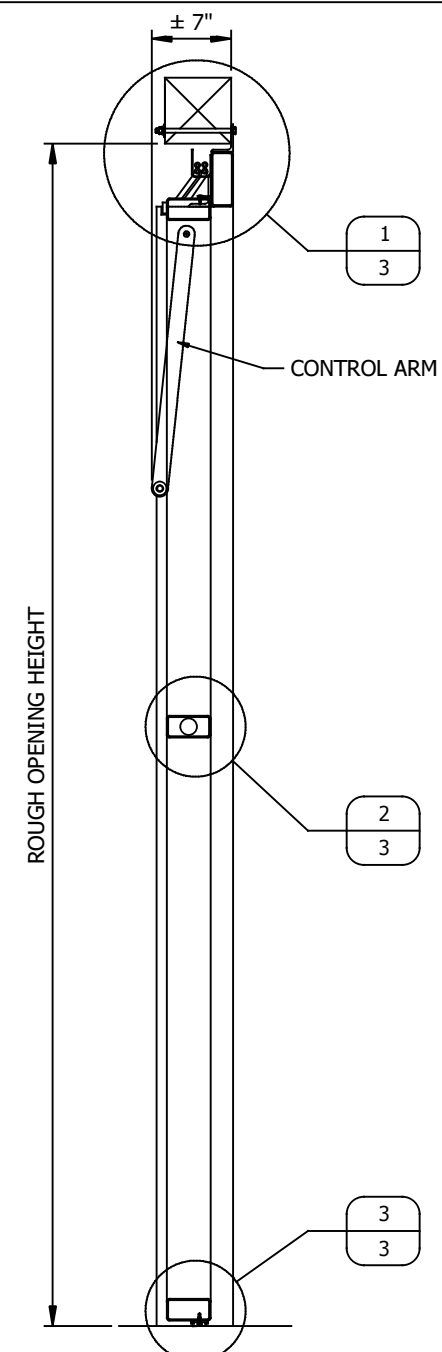


**IMPORTANT NOTICE:**

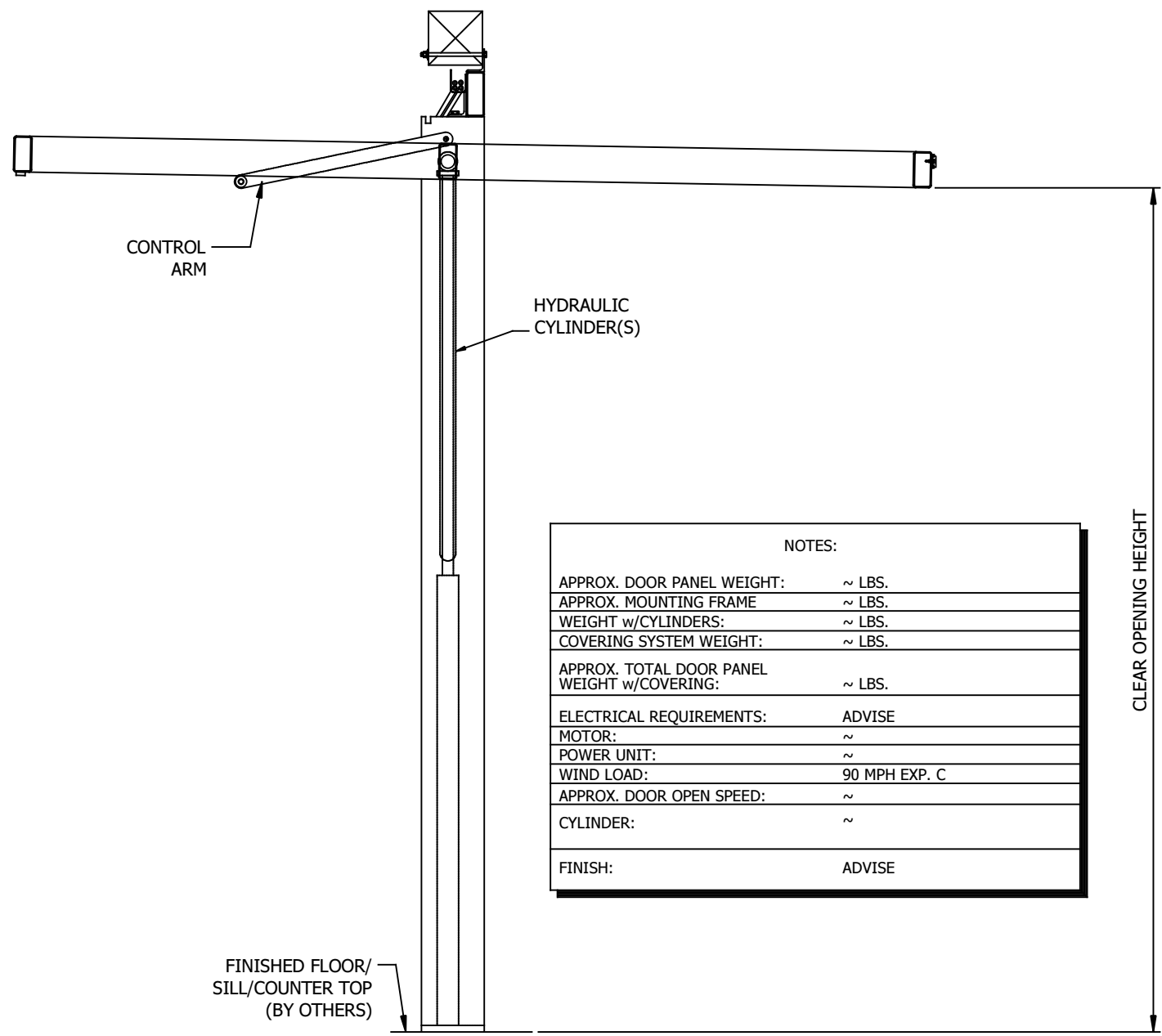
ALL DIMENSIONS SHOWN ARE CRITICAL TO PROPER DOOR OPERATION. IF ANY CHANGES ARE MADE, CONTACT CROWN INDUSTRIES IMMEDIATELY. ANY CHANGES MAY INCUR ADDITIONAL CHARGES.

ALL PARTS NOT LISTED AS "BY OTHERS" TO BE PROVIDED BY CROWN INDUSTRIES, INC.

**SAMPLE DRAWING**

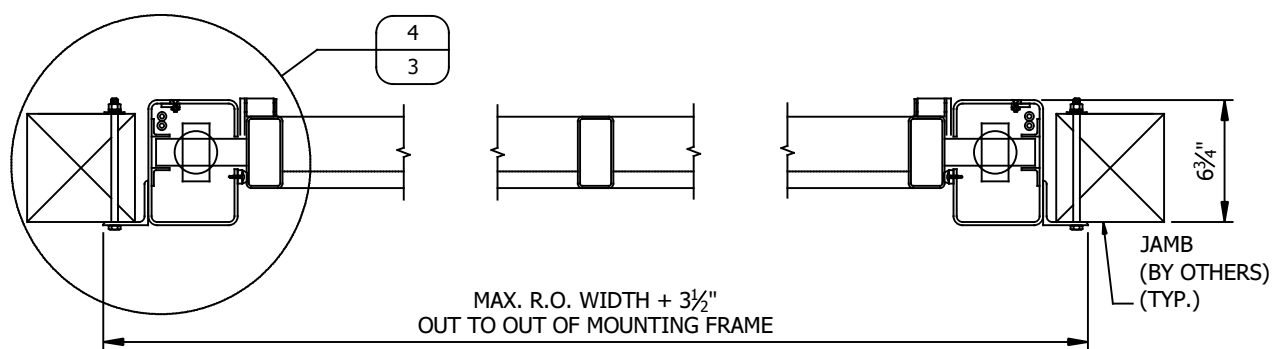


**1 VERTICAL SECTION**  
NO SCALE

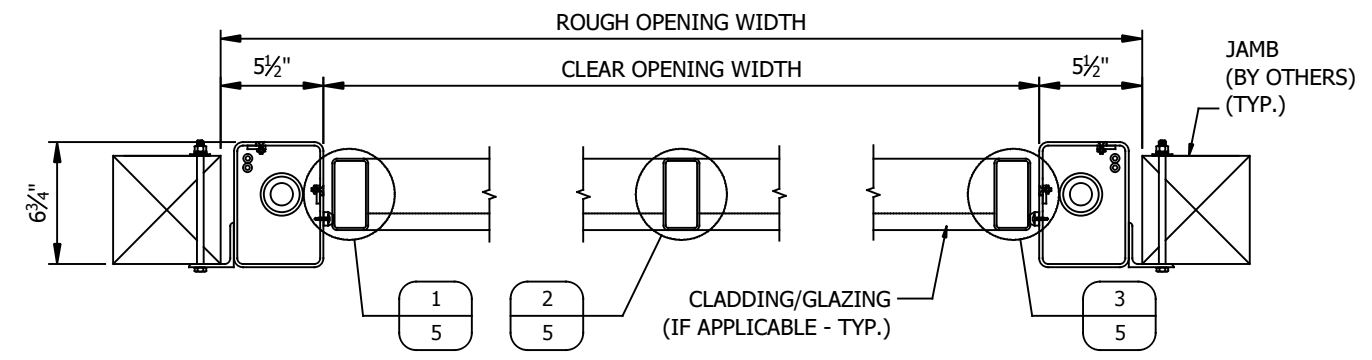


**2 VERTICAL SECTION**  
NO SCALE

NOTES:	
APPROX. DOOR PANEL WEIGHT:	~ LBS.
APPROX. MOUNTING FRAME WEIGHT w/CYLINDERS:	~ LBS.
COVERING SYSTEM WEIGHT:	~ LBS.
APPROX. TOTAL DOOR PANEL WEIGHT w/COVERING:	~ LBS.
ELECTRICAL REQUIREMENTS:	ADVISE
MOTOR:	~
POWER UNIT:	~
WIND LOAD:	90 MPH EXP. C
APPROX. DOOR OPEN SPEED:	~
CYLINDER:	~
FINISH:	ADVISE



**3 SECTION VIEW**  
NO SCALE



**4 SECTION VIEW**  
NO SCALE

**50/50 HYDRAULIC SYSTEM**  
**CROWN, INCORPORATED**  
**PLATO, MINNESOTA, 55370**

MODEL: 50/50  
DRAWN: 12/2014

SHEET: **2.0**

**PROPRIETARY AND CONFIDENTIAL**

THE INFORMATION CONTAINED WITHIN THIS DRAWING SET IS THE SOLE PROPERTY OF CROWN INDUSTRIES, INC. ANY REPRODUCTION - IN PART, OR AS A WHOLE - WITHOUT THE EXPRESSED, WRITTEN CONSENT OF CROWN INDUSTRIES, INC. IS PROHIBITED

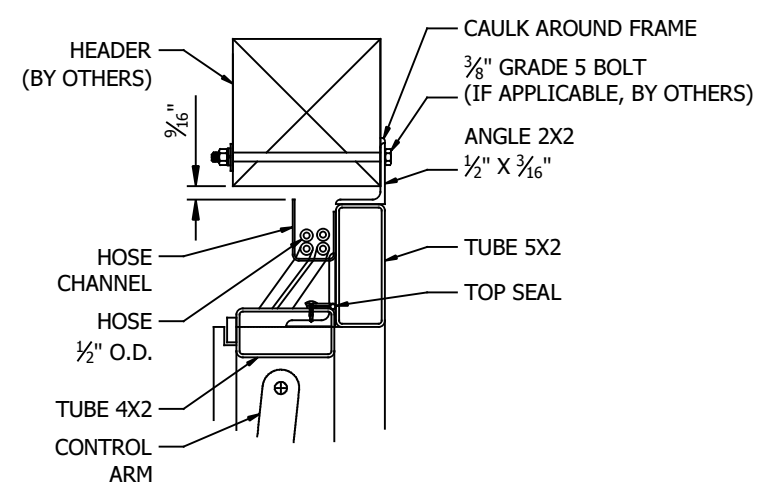


**IMPORTANT NOTICE:**

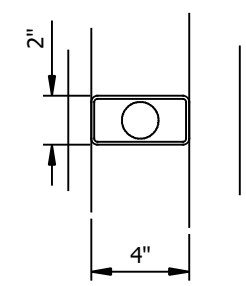
ALL DIMENSIONS SHOWN ARE CRITICAL TO PROPER DOOR OPERATION. IF ANY CHANGES ARE MADE, CONTACT CROWN INDUSTRIES IMMEDIATELY. ANY CHANGES MAY INCUR ADDITIONAL CHARGES.

ALL PARTS NOT LISTED AS "BY OTHERS" TO BE PROVIDED BY CROWN INDUSTRIES, INC.

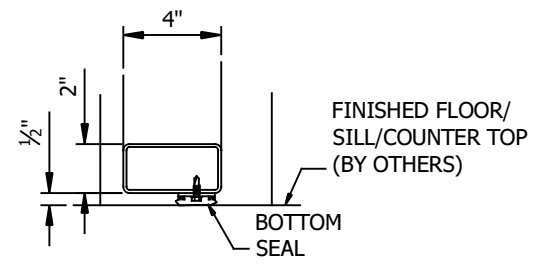
**SAMPLE DRAWING**



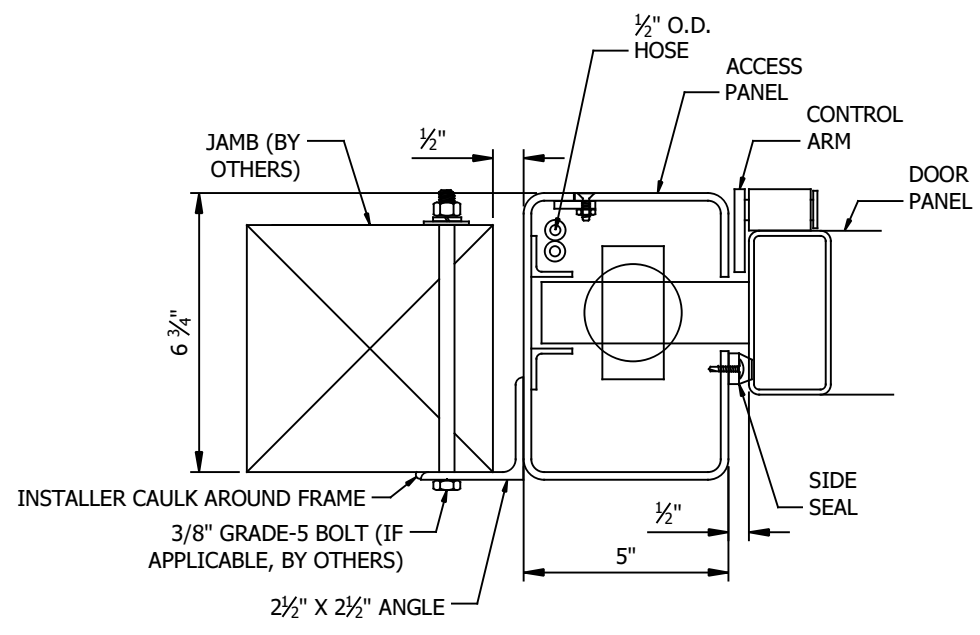
**1 SECTION VIEW @ HEAD**  
NO SCALE



**2 SECTION VIEW @ INT. HORIZONTAL**  
NO SCALE



**3 SECTION VIEW @ BASE**  
NO SCALE

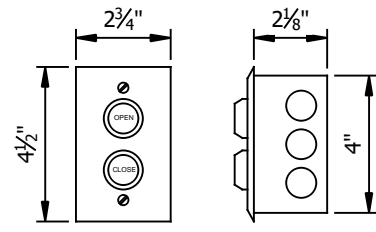
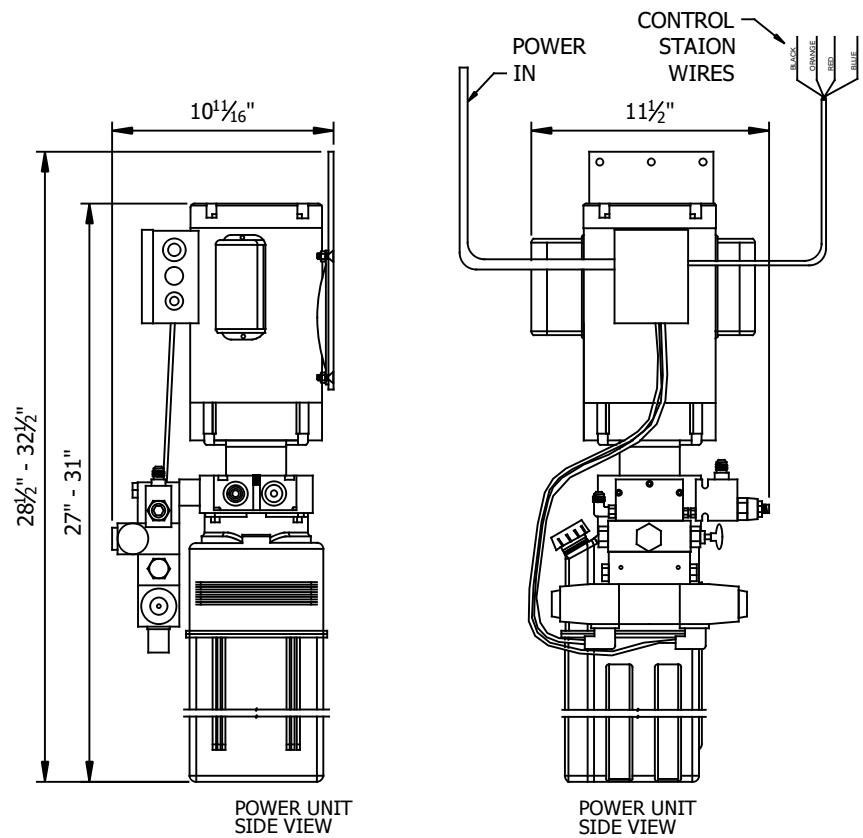


**4 SECTION VIEW @ JAMB**  
NO SCALE

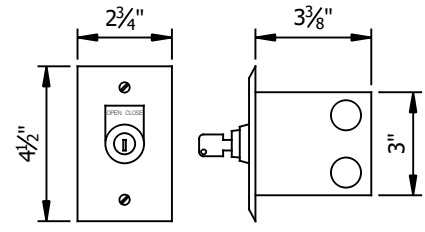
**50/50 HYDRAULIC SYSTEM**  
**CROWN, INCORPORATED**  
**PLATO, MINNESOTA, 55370**

MODEL: 50/50  
DRAWN: 12/2014

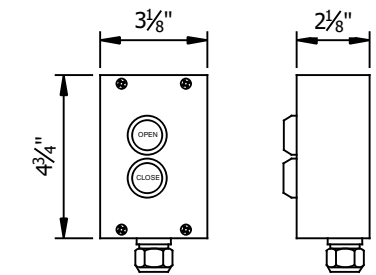
SHEET: **3.0**



FLUSH-MOUNT, CONSTANT-CONTACT 2-BUTTON W/STAINLESS COVER (STANDARD)



FLUSH-MOUNT, CONSTANT-HOLD KEY SWITCH W/STAINLESS COVER (STANDARD)



EXTERIOR-MOUNT, CONSTANT-HOLD WEATHER-PROOF, 2-BUTTON W/STAINLESS COVER (ADDITIONAL COST)

**PROPRIETARY AND CONFIDENTIAL**  
 THE INFORMATION CONTAINED WITHIN THIS DRAWING SET IS THE SOLE PROPERTY OF CROWN INDUSTRIES, INC. ANY REPRODUCTION - IN PART, OR AS A WHOLE - WITHOUT THE EXPRESSED, WRITTEN CONSENT OF CROWN INDUSTRIES, INC. IS PROHIBITED

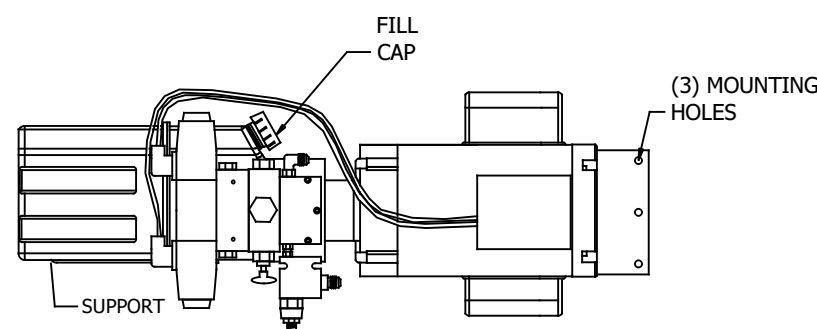
**IMPORTANT NOTICE:**  
 ALL DIMENSIONS SHOWN ARE CRITICAL TO PROPER DOOR OPERATION. IF ANY CHANGES ARE MADE, CONTACT CROWN INDUSTRIES IMMEDIATELY. ANY CHANGES MAY INCUR ADDITIONAL CHARGES.

ALL PARTS NOT LISTED AS "BY OTHERS" TO BE PROVIDED BY CROWN INDUSTRIES, INC.



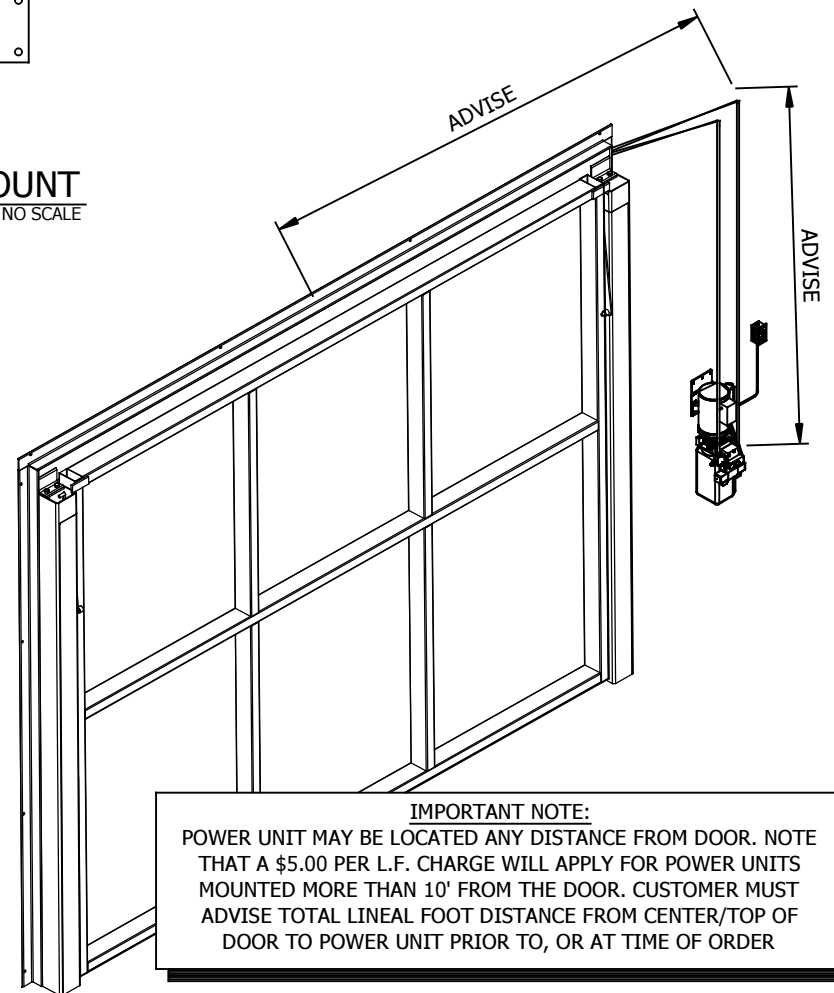
**SAMPLE DRAWING**

**1 CONTROL OPTIONS**  
NO SCALE



**3 MOTOR UNIT - OPTIONAL HORIZ. MOUNT**  
NO SCALE

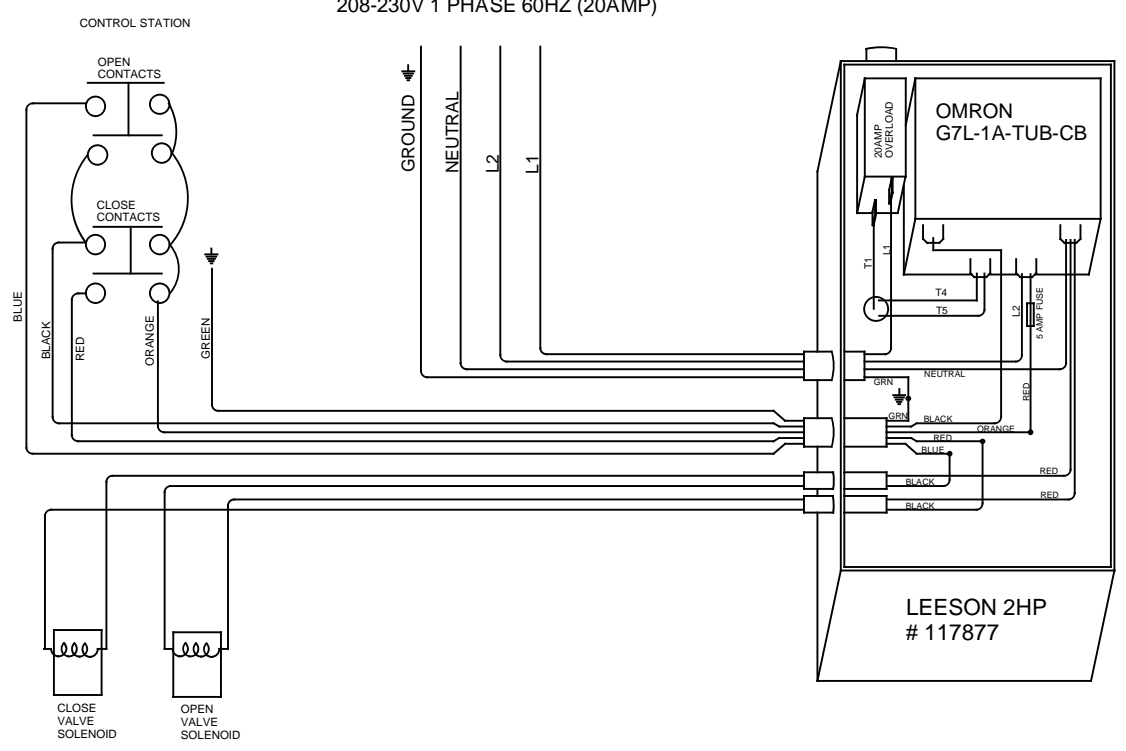
**2 MOTOR UNIT - STD. VERT. MOUNT**  
NO SCALE



**IMPORTANT NOTE:**  
 POWER UNIT MAY BE LOCATED ANY DISTANCE FROM DOOR. NOTE THAT A \$5.00 PER L.F. CHARGE WILL APPLY FOR POWER UNITS MOUNTED MORE THAN 10' FROM THE DOOR. CUSTOMER MUST ADVISE TOTAL LINEAL FOOT DISTANCE FROM CENTER/TOP OF DOOR TO POWER UNIT PRIOR TO, OR AT TIME OF ORDER

**5 ISOMETRIC - INTERIOR VIEW**  
NO SCALE

208-230V 1 PHASE 60HZ (20AMP)



**4 WIRING SCHEMATIC**

**50/50 HYDRAULIC SYSTEM**  
**CROWN, INCORPORATED**  
 PLATO, MINNESOTA, 55370

MODEL: 50/50  
 DRAWN: 12/2014

SHEET: **4.0**