

RENO MATTRESS

Material Delivery

Reno mattresses are manufactured with all components mechanically connected at the production facility with the exception of the lid, which is produced separately from the base. All Reno mattresses are supplied in a collapsed form, either folded or rolled, for shipping. The bundles are banded together at the factory for shipping and handling. Reno mattress bases and lids may be packed in separate bundles. Lacing wire is shipped in coils. Ring fasteners are shipped in boxes. All Reno mattresses are labelled to show their dimensions and the number of pieces per bundle.

Assembly

The folded units shall be taken out from the bundle and placed on a hard flat surface. Reno mattresses shall be opened, unfolded, and pressed out to their original shape. Front, back and end panels shall be lifted to a vertical position to form an open box shape. End flaps shall be folded and/or overlapped, as appropriate. All edges of the diaphragms and end panels shall be tied or fastened to the front and back of the mattress.

The mattresses should be assembled individually, by erecting the sides, ends and diaphragms, ensuring that all creases are in the correct position and the tops of all sides are level.

Fastening Procedure

Connect the edges of the mattress by using either lacing wire or ring fasteners. When steel ring fasteners are used, the use of either a mechanical or a pneumatic fastening tool is required. Spacing of the rings shall be in accordance with ASTM A975-97 Table 2, Panel to Panel connection, Pull-Apart Resistance. In any case, ring fasteners spacing shall not exceed 6 in (150 mm). Rings shall be installed at the top and the bottom connections of the end and center diaphragms and along all edges. Care should be taken to ensure the steel ring fastener is completely closed after installation (Fig. 3). When this is not possible, fixing rings must be complemented or replaced with lacing wire.

The procedure for using lacing wire consists of cutting a sufficient length of wire, and first looping and/or twisting the lacing wire to the wire mesh. Proceed to lace with alternating double and single loops through every mesh opening approximately every 6 in (150 mm) pulling each loop tight and finally securing the end of the lacing wire to the wire mesh by looping and/or twisting. The use of pliers to aid assembly and wiring of the units using the binding wire supplied with the mattresses is normally recommended.

Foundation Preparation

The foundation on which the Reno mattresses are to be placed shall be level, and graded to the elevations as shown on the project construction drawings. The foundation for Reno mattresses shall be free of surface irregularities, loose material, and vegetation in accordance with the project specifications. Appropriate measures shall be taken for filtering and drainage of the foundation, as per the project specifications (filter cloth, drain works, etc.). Geotextiles required to be installed behind or underneath Reno mattress structures shall comply with the requirements for subsurface drainage applications.

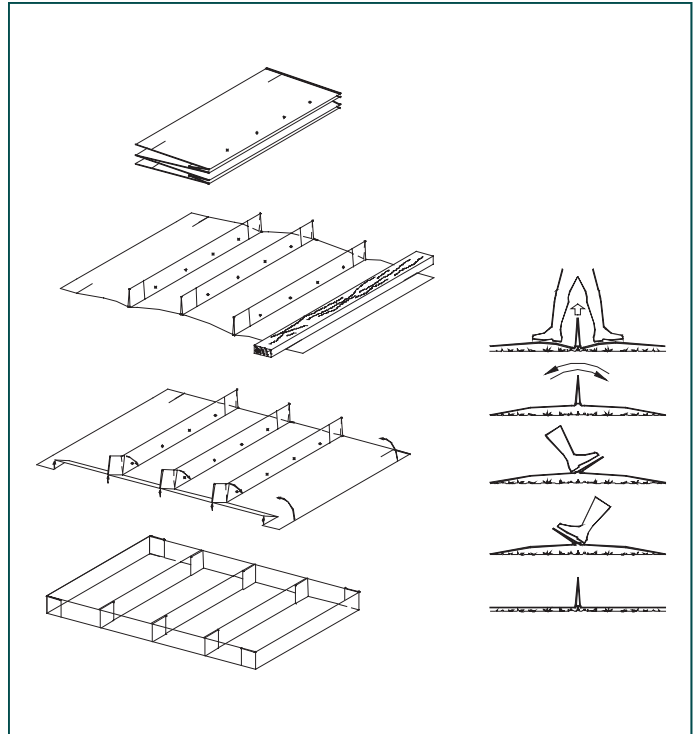


Figure 1

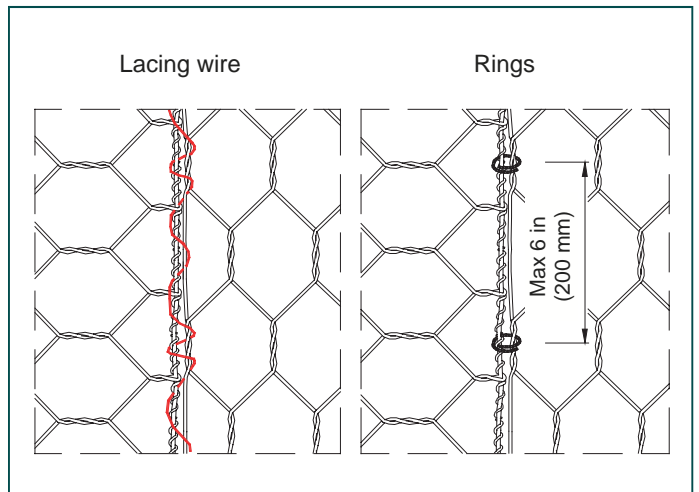


Figure 2

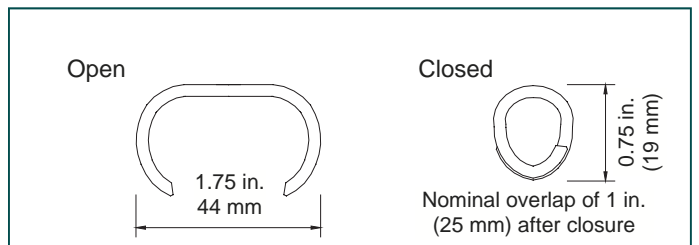


Figure 3

Installation and Filling

After assembly, the mattresses are placed in their proper location and securely attached to adjacent units. For structural integrity, all adjoining empty units should be connected by means of lacing wire or ring fasteners along all the edges of their contact surfaces, in order to form a monolithic structure. On slopes, the mattress should be laid with the width perpendicular to the slope, except for very small ditches. Mattresses should be placed and securely attached while empty. Where mattresses are to be placed on steep slopes, the unit should be secured by hardwood or steel pegs driven into the ground just below the upper end panel, at 6 ft (2 m) centers or as specified in the project requirements.

Mattresses can conform to bends up to a radius of 60-70 ft. (18 - 21 m) without alteration, and placed to the required curvature for filling. Mattresses may be cut to form curves or bevels.

Rocks for mattresses may be produced by any suitable quarrying method, and by the use of any device that yields the required sizes within the gradation limits chosen.

Rocks shall be hard, angular to round, durable and of such quality that they shall not disintegrate on exposure to water or weathering during the life of the structure.

Reno mattress rocks shall range between 3-6 in (75-150 mm).

The range in sizes may allow for a variation of 5% oversize and/or 5% undersize rock, provided it is not placed on the mattress exposed surface. In all cases, any oversize rock for mattresses shall allow for a placement of a minimum two layers of mixed rock sizes, dependent upon the height/thickness of the mattress. When using PVC coated Reno mattresses, care should be taken when placing the stone to ensure that the PVC coating on the mattress will not be damaged. Some hand placing is necessary to ensure the void ratio is kept to a minimum. If installing on a slope, start at the bottom of the slope. Filling should be done unit by unit, but several units should be ready for filling at any one time. Ensure that the diaphragm tops are accessible for lacing to the mattress lids when required.

Closing

To allow for settlement, level off the fill 1 in (25 mm) above the top of the mesh. In aprons downstream of weirs and similar places where water will fall directly onto the Reno mattresses, install bracing wires vertically between the top and bottom mesh. Make sure the top edges of the diaphragms are exposed. Lay the lid down, pull the edges of the panels to be connected together where necessary using an appropriate tool as a lid closer. The lids shall be tightly laced along all edges, ends and diaphragms in the same manner as described for assembling. Adjacent lids may be securely attached simultaneously. Securely attach the lids to the ends of the mattresses and then securely attach them to the sides, and diaphragms, using alternate double and single loops, or steel wire ring fasteners. Adjacent lids can securely be attached in one operation. In cases where a number of adjacent bases are to be covered at one time, rolls of mesh can be used in place of individual unit size lids.

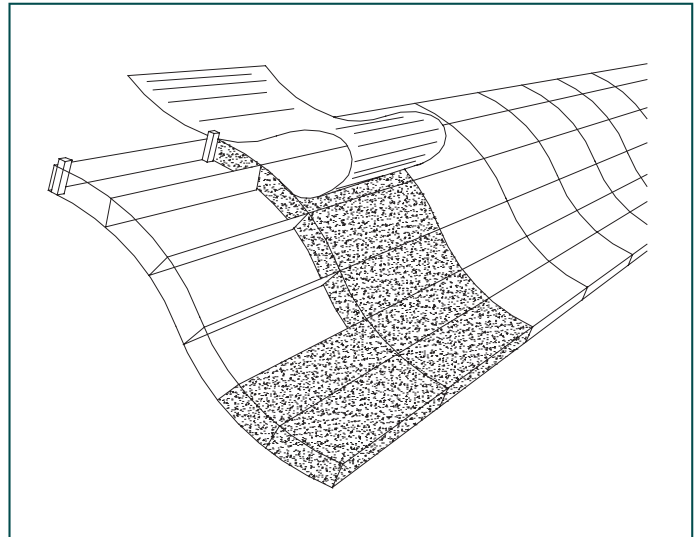


Figure 4

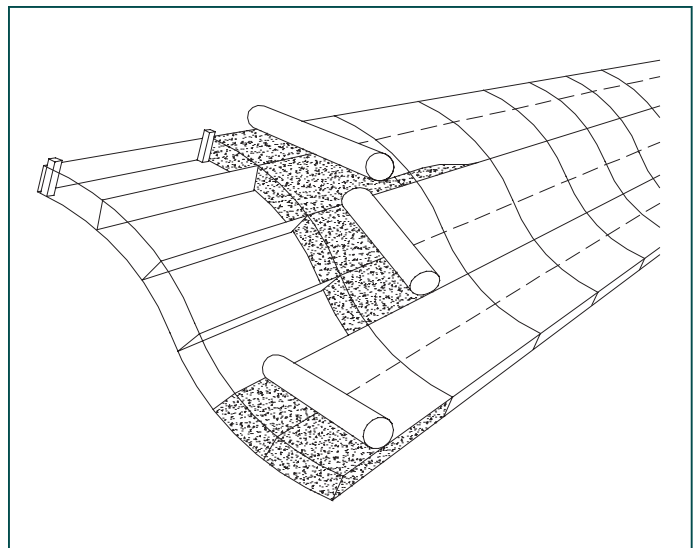


Figure 5

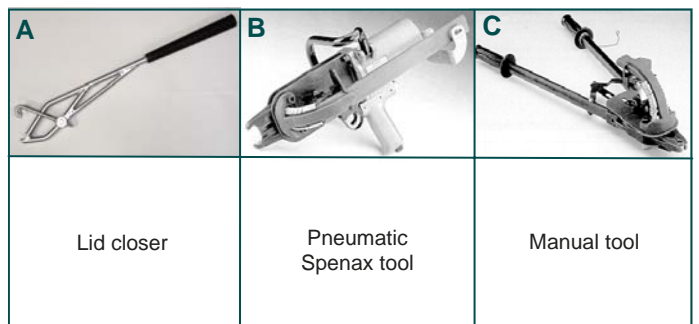


Figure 6