

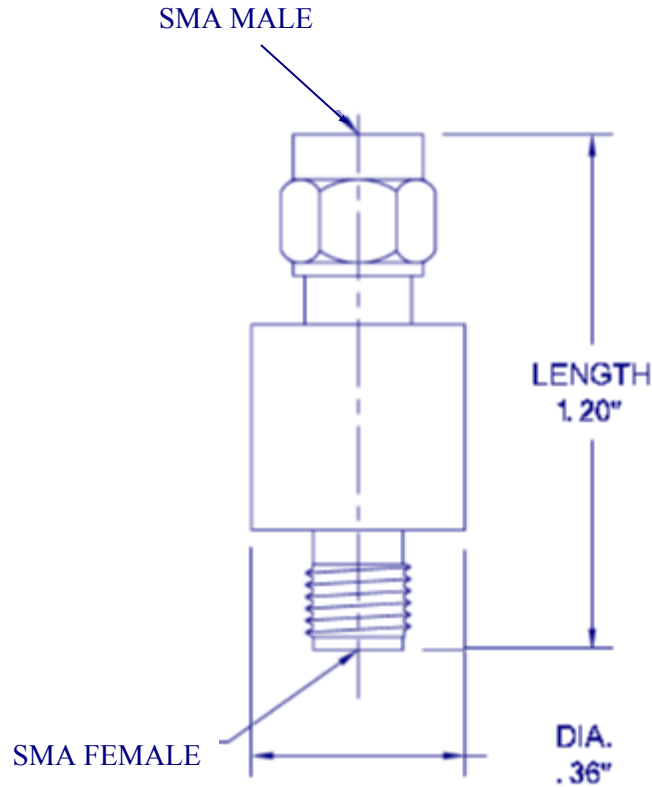
Premier RF inner DC blocks have a capacitor in-series with the center conductor which prevents the flow of audio and direct current (DC) frequencies while offering minimum interference to RF signals.

Part	Material	Plating
Connectors	Stainless Steel	Passivated
Conductors	Beryllium Copper	Gold
Housing	Stainless Steel	Passivated

SPECIFICATIONS:

Impedance: 50 Ohm
 Frequency: .01 –18 GHz
 VSWR: 1.35:1 Max.
 Operating temp. : -65°C - +125°C
 Insertion Loss: .5dB max
 Voltage rating: 200 Volts max.
 Weight: 9 grams

RoHS Compliant



Dimensions are for reference only, and are subject to change without notice.



Premier RF
 17 Roslyn CT
 Patchogue, NY 11772
 PH: 631-447-3804
 sales@premierf.com
 www.premierf.com

08/27/2011
APPROVED
C.Smith

PART NUMBER	PRF-DCB1MFI18
DESCRIPTION	SMA DC BLOCK M/F INNER ONLY